

[54] - AEROSOL ACTUATOR

[75] Inventor: Ronald G. Cramer, Mt. Pleasant, Wis.

[73] Assignee: S. C. Johnson & Son, Inc., Racine, Wis.

[**] Term: 14 Years

[21] Appl. No.: 452,895

[22] Filed: Dec. 19, 1989

[52] U.S. Cl. D9/448

[58] Field of Search D9/300, 448;
222/92-94, 212, 335, 385, 405, 632, 635, 637;
239/333, 337, 383

[56] References Cited

U.S. PATENT DOCUMENTS

- D. 208,224 8/1967 Crowell D9/448
- D. 208,886 10/1967 Vuilleminot D9/448

- D. 209,245 11/1967 Barnett D9/448
- D. 209,427 11/1967 Charles D9/448
- 3,143,254 8/1964 Vanderhyde 239/383

Primary Examiner—B. J. Bullock
Assistant Examiner—Dominic Simone

[57] CLAIM

The ornamental design for an aerosol actuator cap, as shown and described.

DESCRIPTION

FIG. 1 is a perspective view of an aerosol actuator cap showing my new design;
 FIG. 2 is a front elevational view thereof;
 FIG. 3 is a left side elevational view thereof, the right side being a mirror image;
 FIG. 4 is a top plan view thereof;
 FIG. 5 is a bottom plan view thereof;
 FIG. 6 is a front elevational view thereof, the nozzle closed for clarity of illustration.

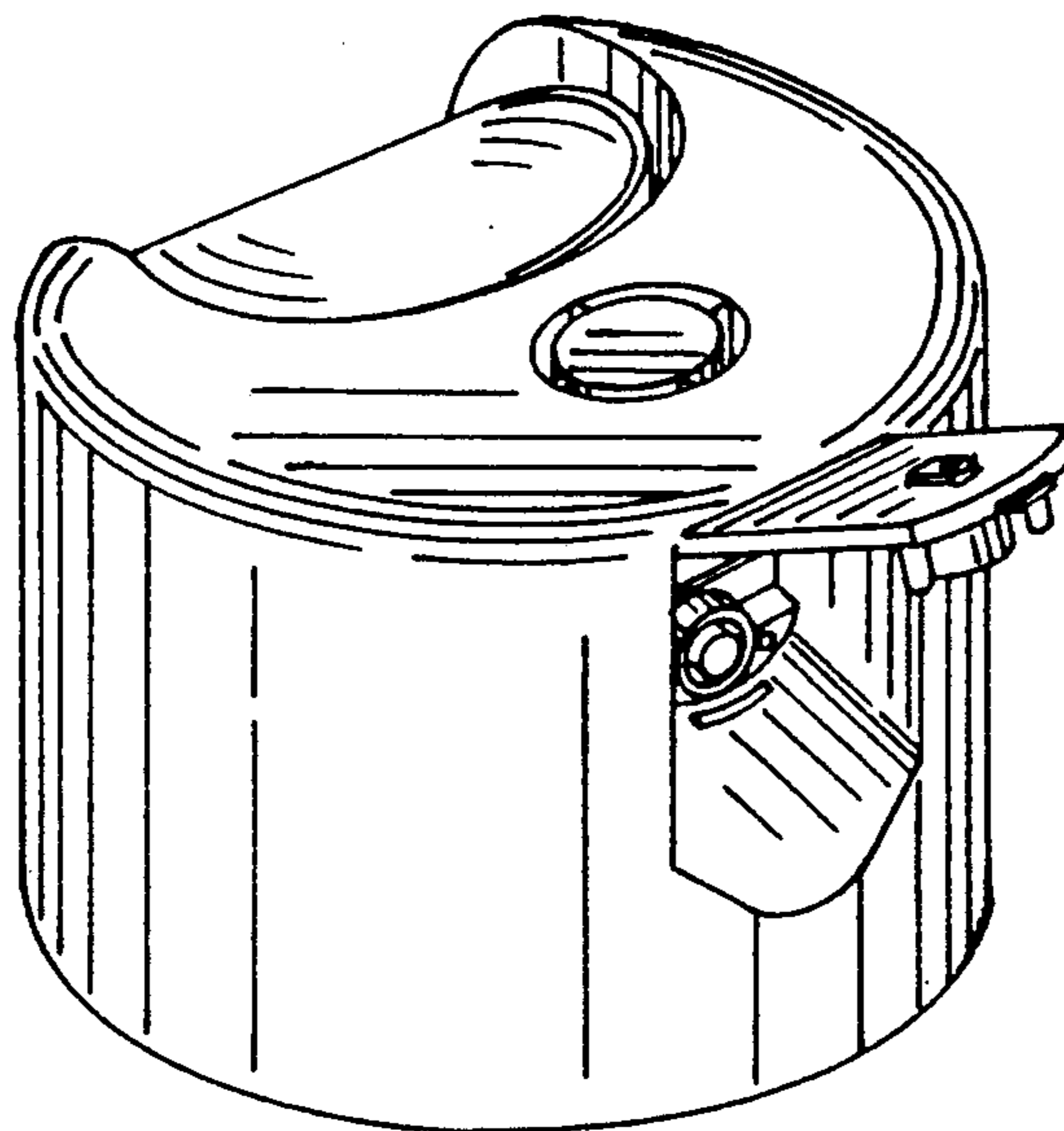


FIG. 1

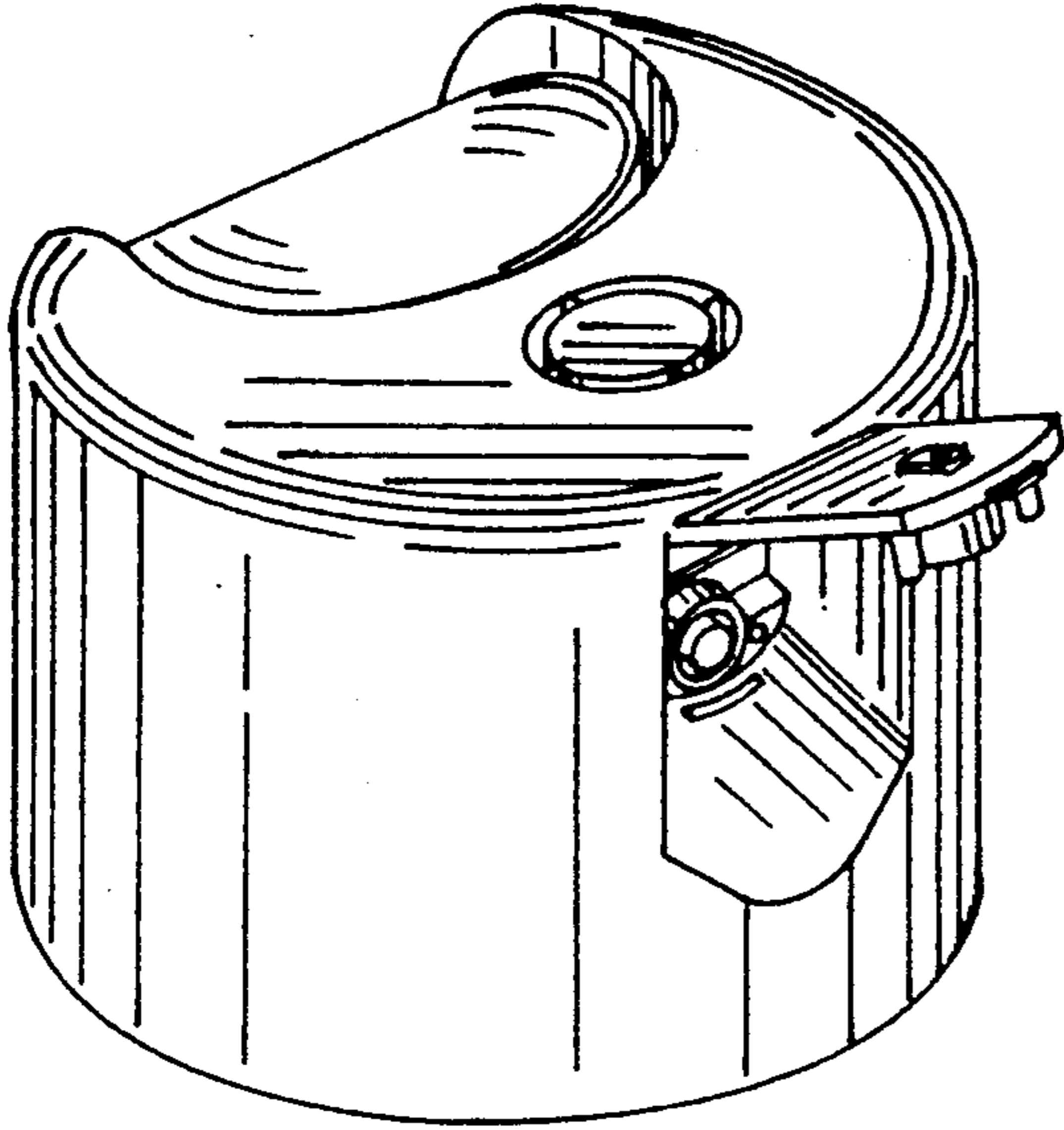


FIG. 2

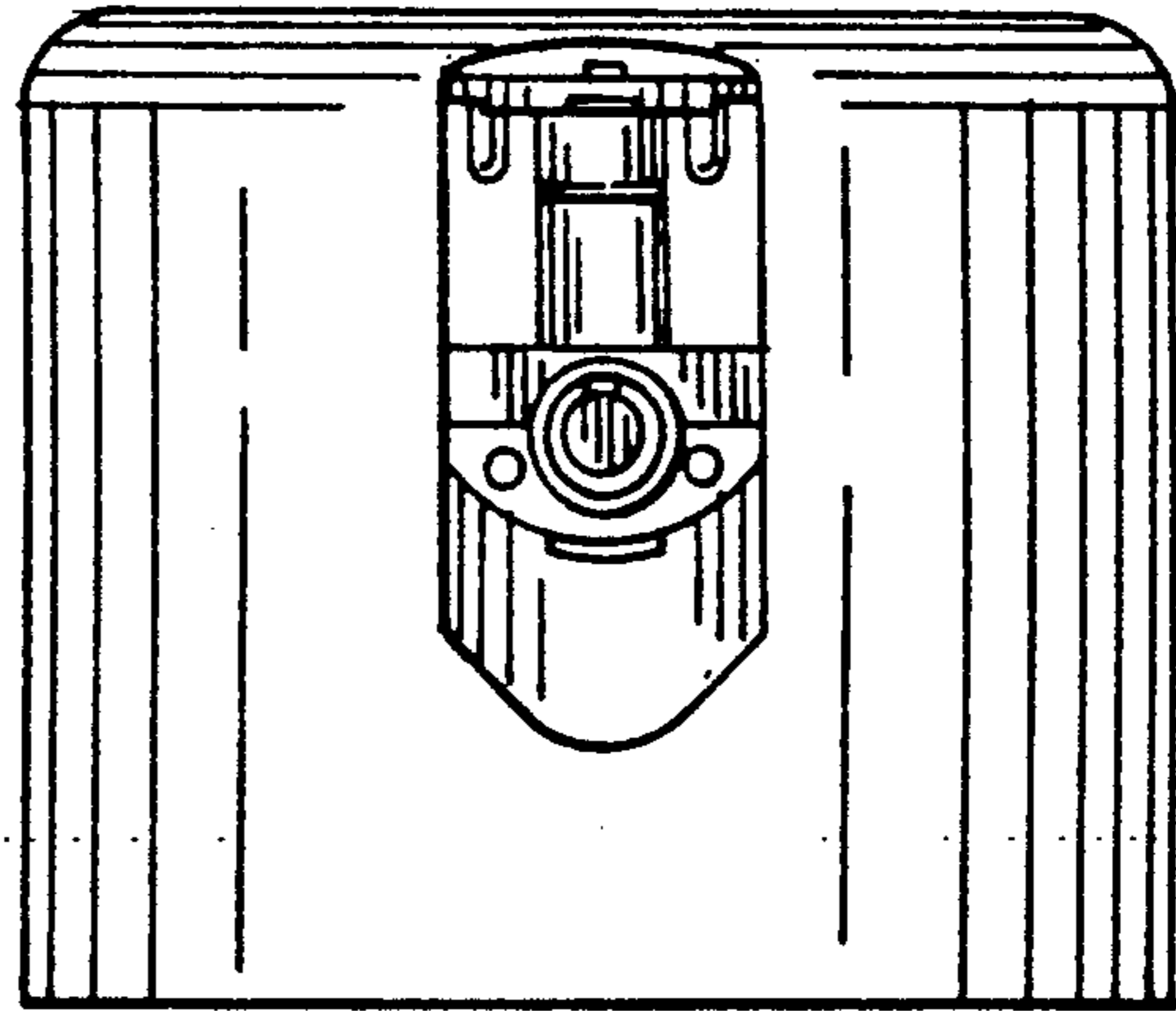


FIG. 3

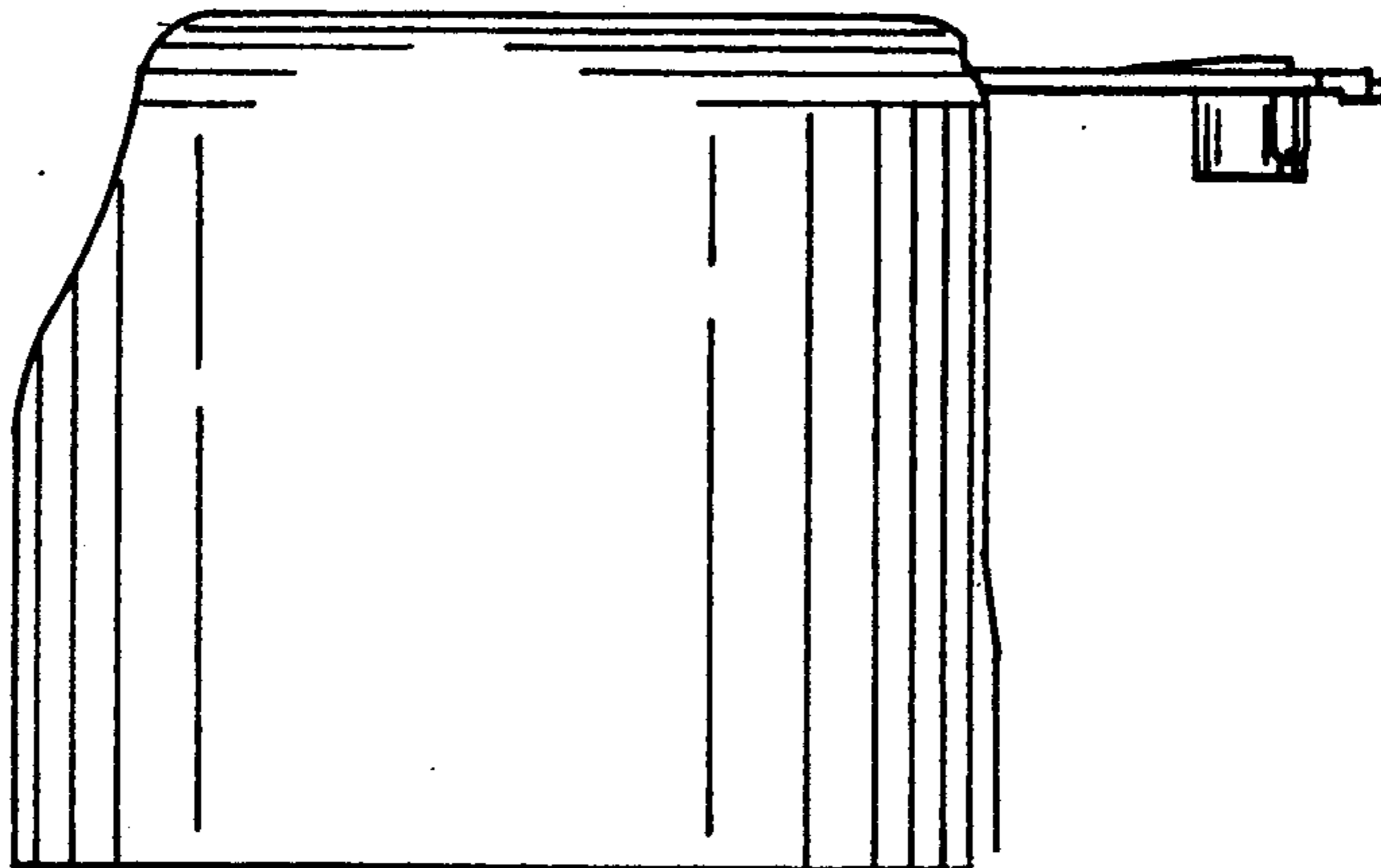


FIG. 4.

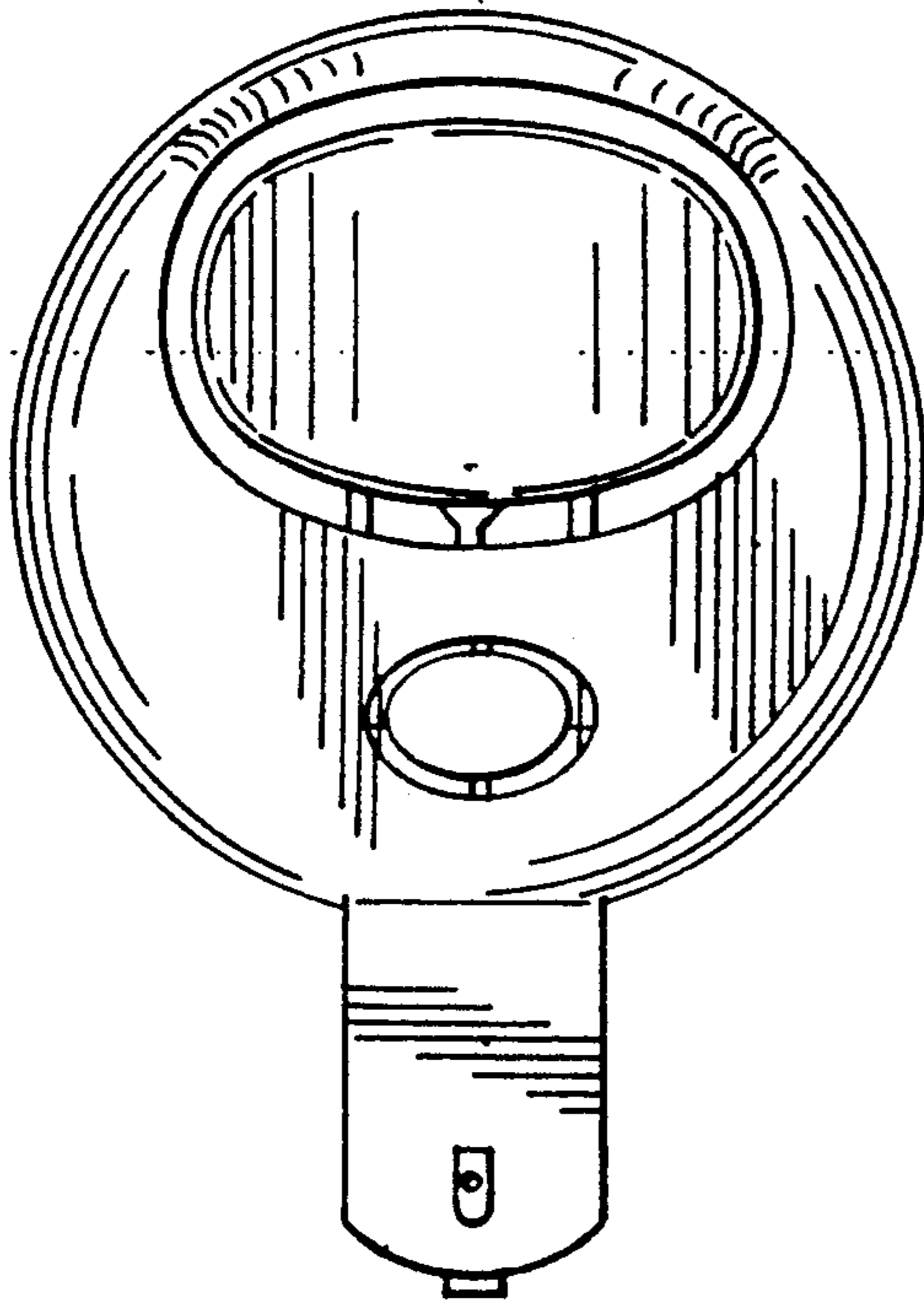


FIG. 5.

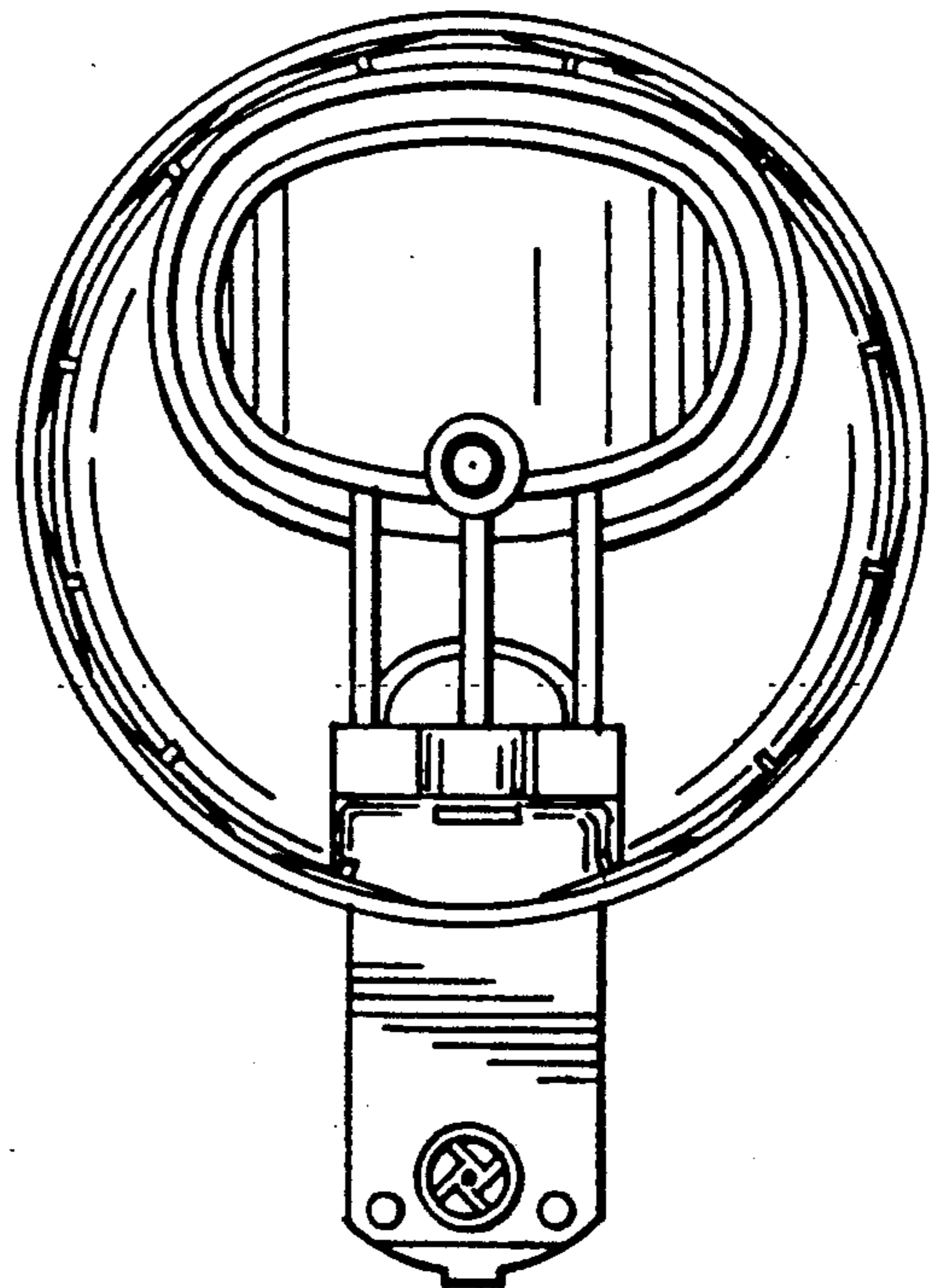


FIG. 6.

