

[54] BOTTLE

[75] Inventor: Francisco A. S. Alemany, Madrid, Spain

[73] Assignee: Salgado & Cia., S.A., Madrid, Spain

[**] Term: 14 Years

[21] Appl. No.: 152,918

[22] Filed: Feb. 5, 1988

[30] Foreign Application Priority Data

Aug. 7, 1987 [ES] Spain 113.709

[52] U.S. Cl. D9/335; D9/401; D9/408

[58] Field of Search D9/335, 336, 401, 408; 215/1 R

[56] References Cited

U.S. PATENT DOCUMENTS

- D. 4,170 6/1870 Rose D9/408
- D. 20,792 6/1891 Rodiger D9/401
- D. 23,174 4/1894 Lloyd D9/408

- D. 44,217 6/1913 Nelson D9/408
- D. 115,430 6/1939 Street D9/335
- D. 181,453 11/1957 Batchelor D9/401
- D. 196,144 8/1963 Andress D9/335
- D. 205,098 6/1966 Hallowell D9/401
- D. 210,353 5/1968 Platte D9/401
- D. 211,157 5/1968 Platte D9/401

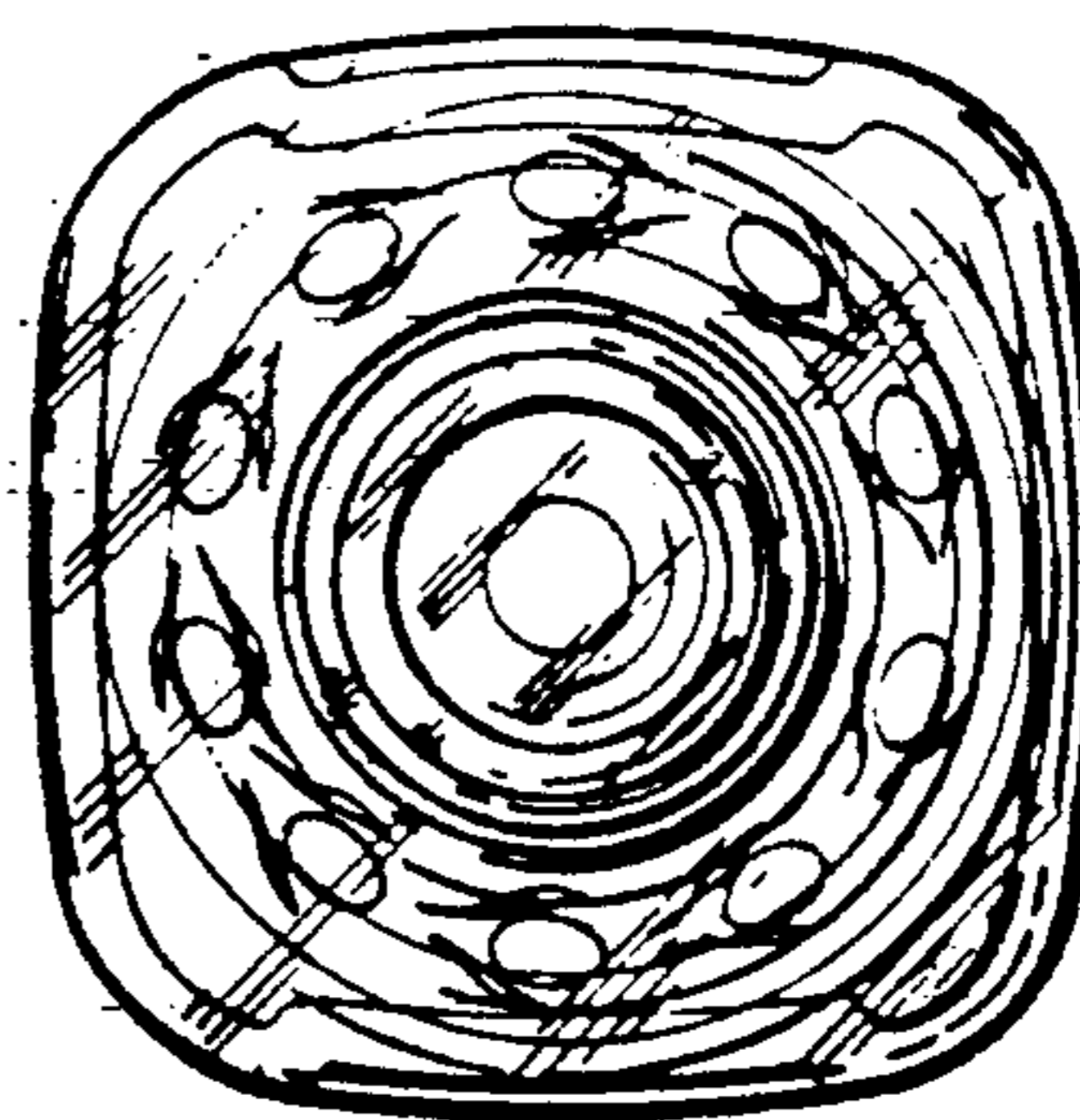
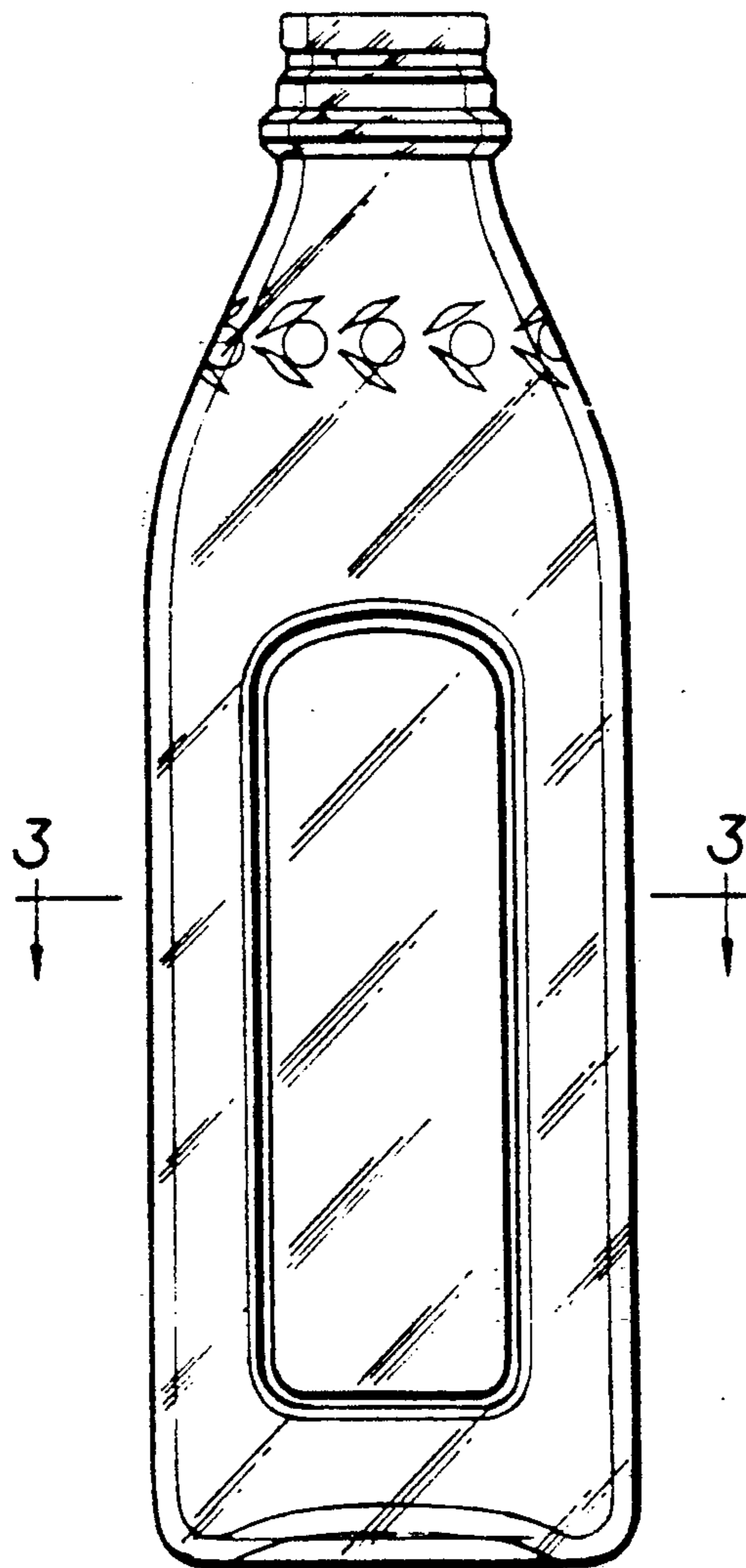
Primary Examiner—B. J. Bullock
Assistant Examiner—Dominic Simone
Attorney, Agent, or Firm—William R. Evans

[57] CLAIM

The ornamental design for a bottle, as shown and described.

DESCRIPTION

FIG. 1 is a front elevation of a bottle showing my new design, the rear being identical;
FIG. 2 is a side elevation thereof, the opposite side being identical;
FIG. 3 is a sectional view thereof, taken in the direction of the arrows along line 3—3 of FIG. 1;
FIG. 4 is a bottom plan thereof;
FIG. 5 is a top plan thereof.



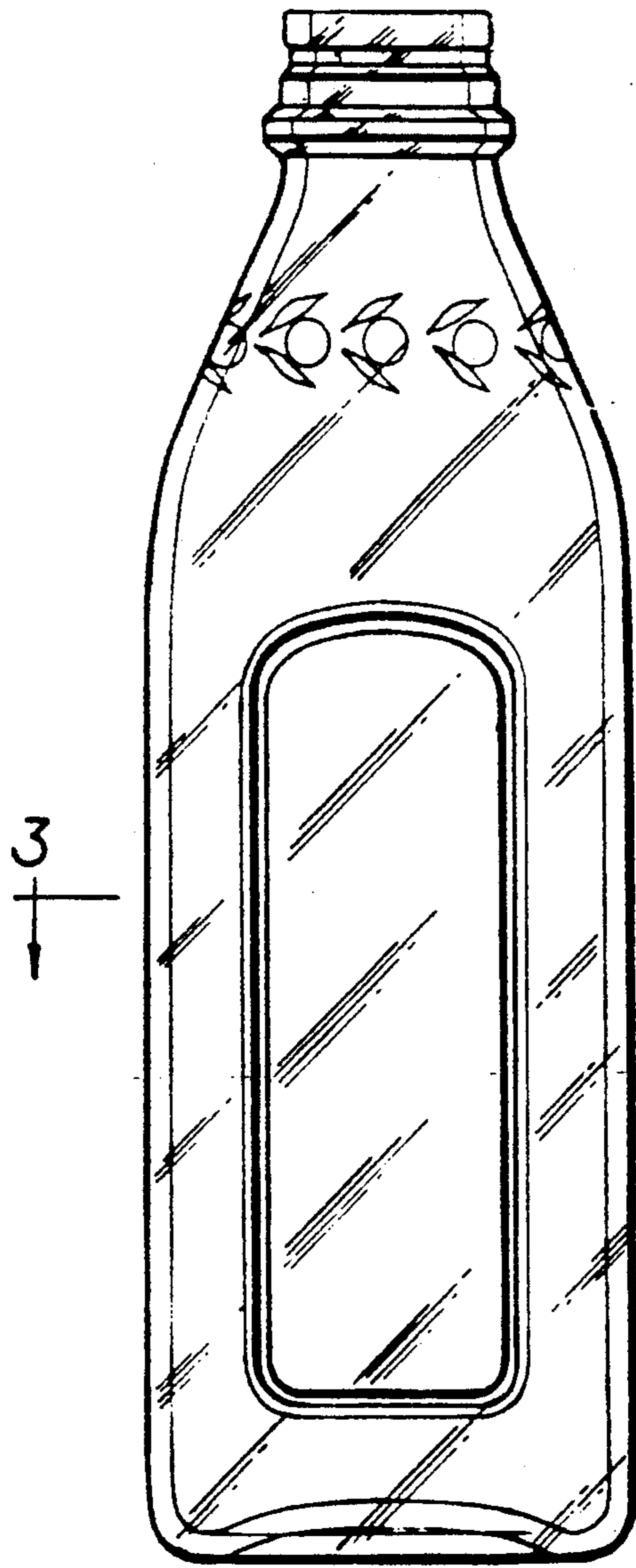


FIG. 1

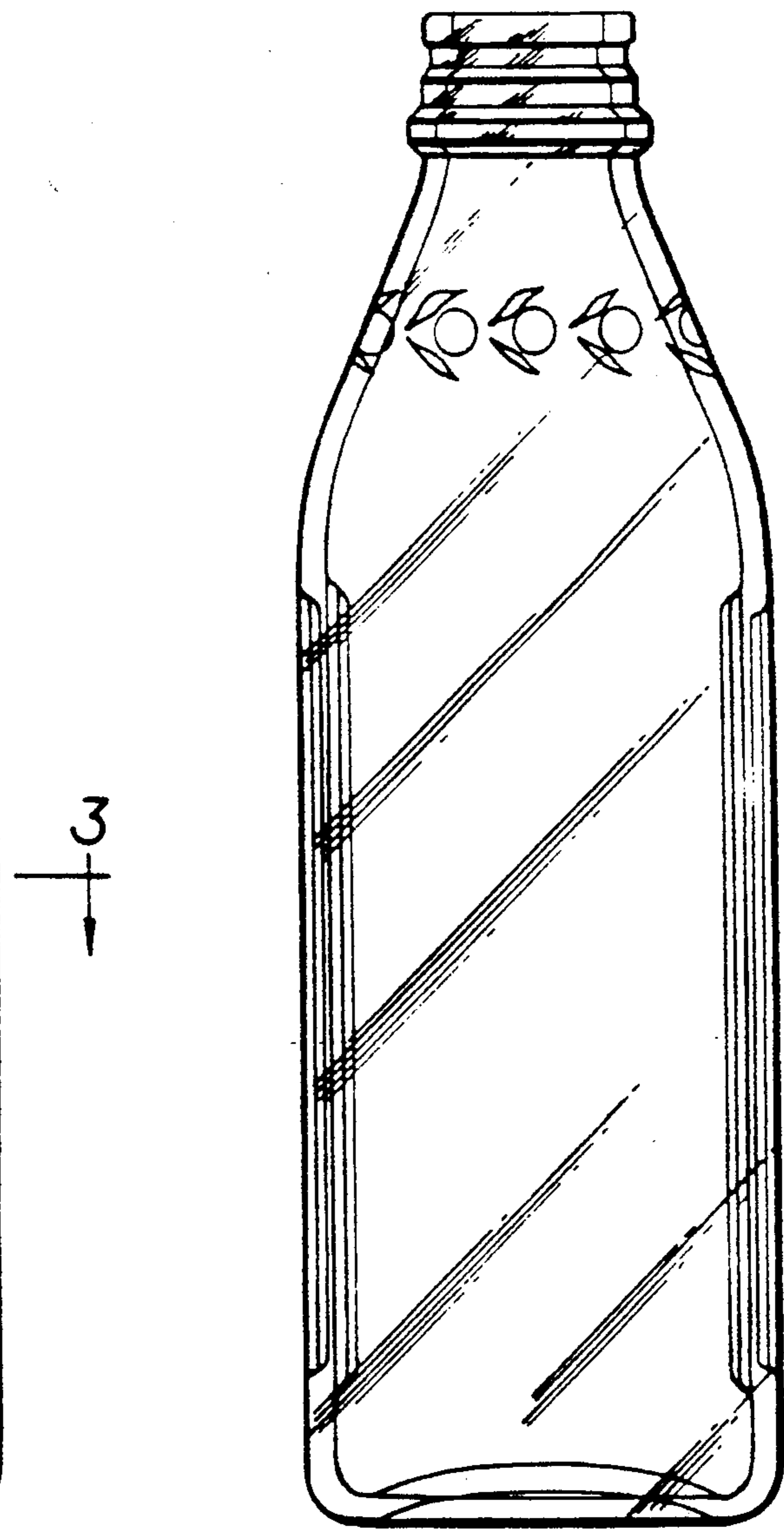


FIG. 2

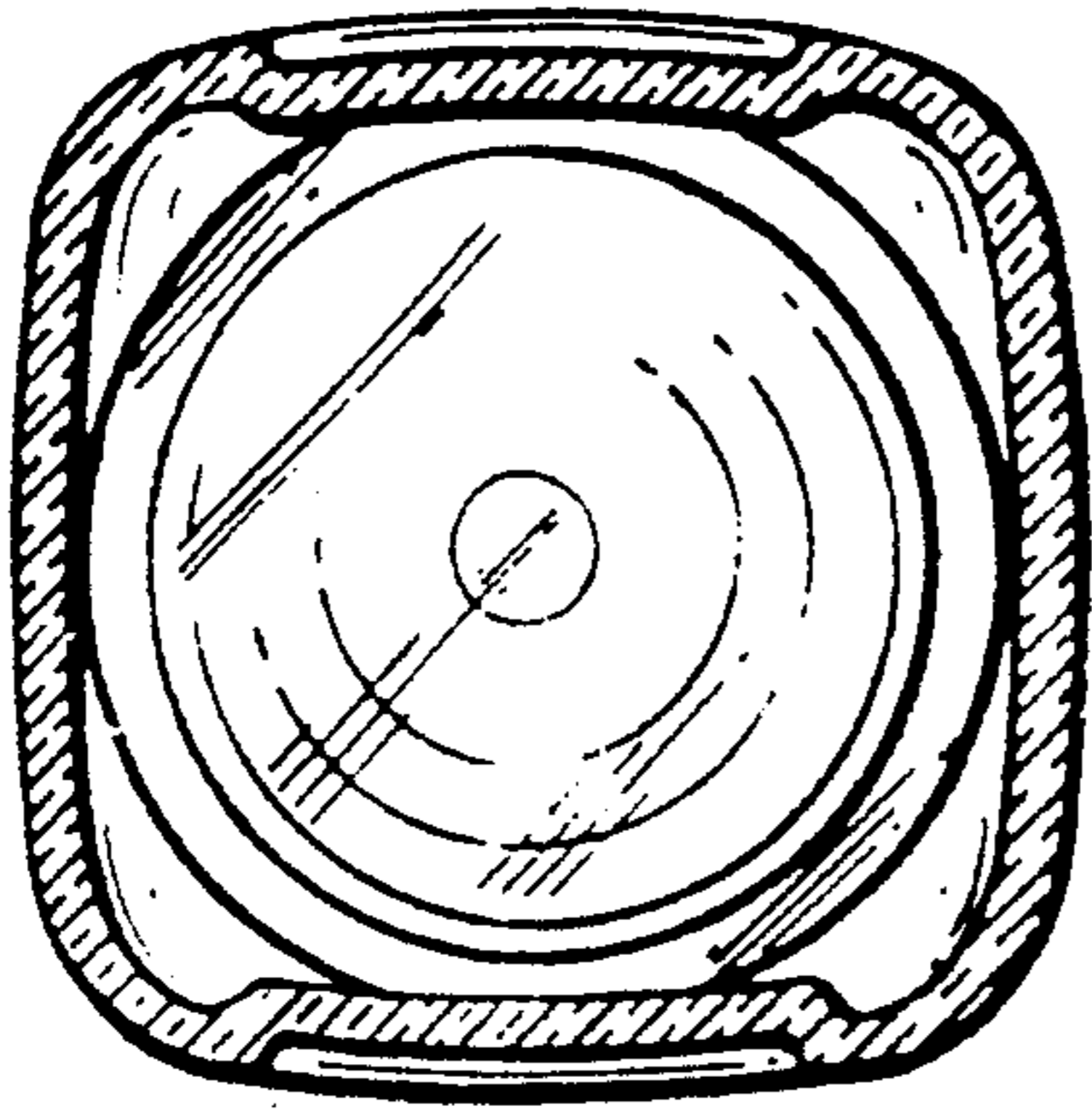


FIG. 3

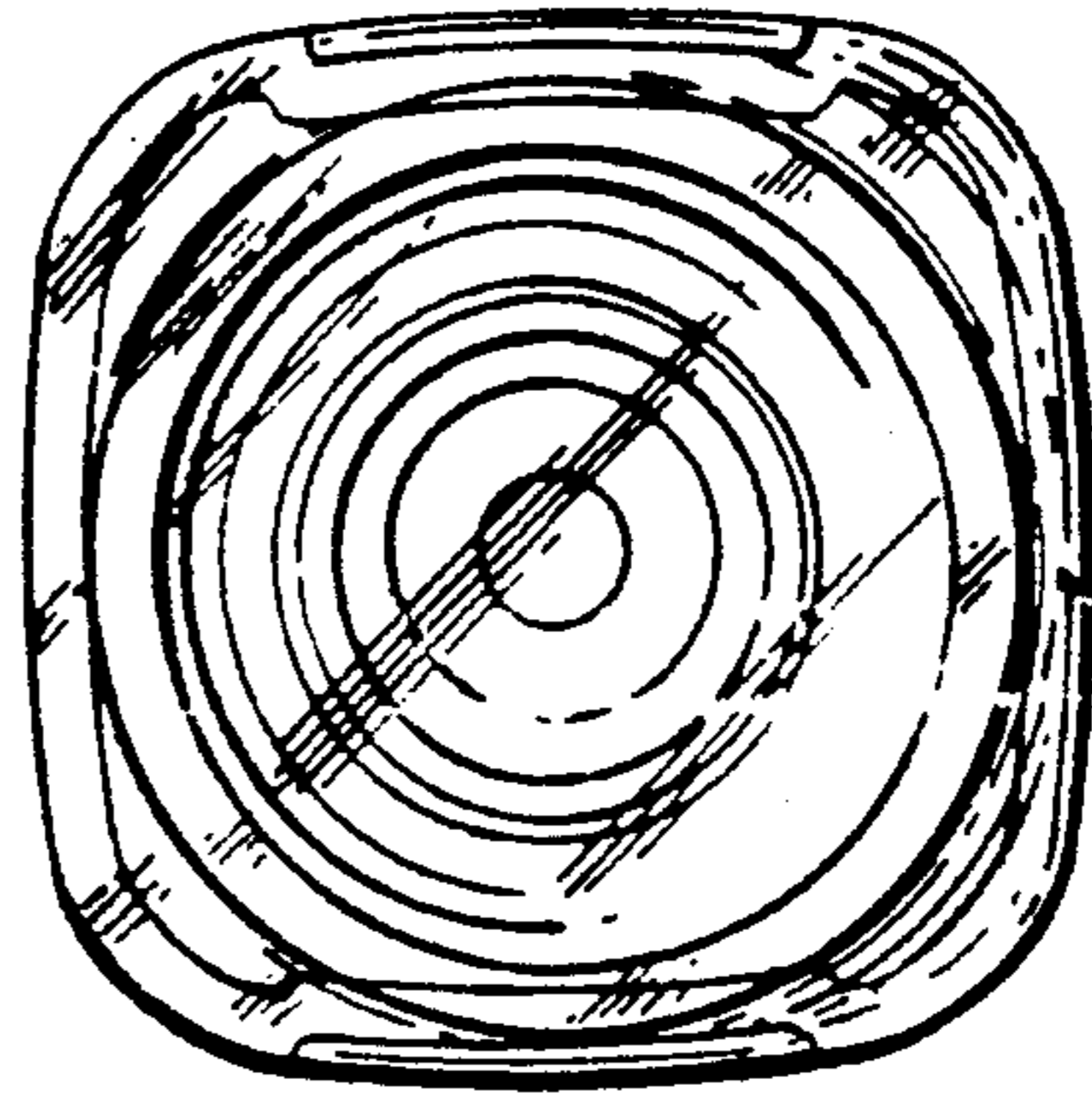


FIG. 4

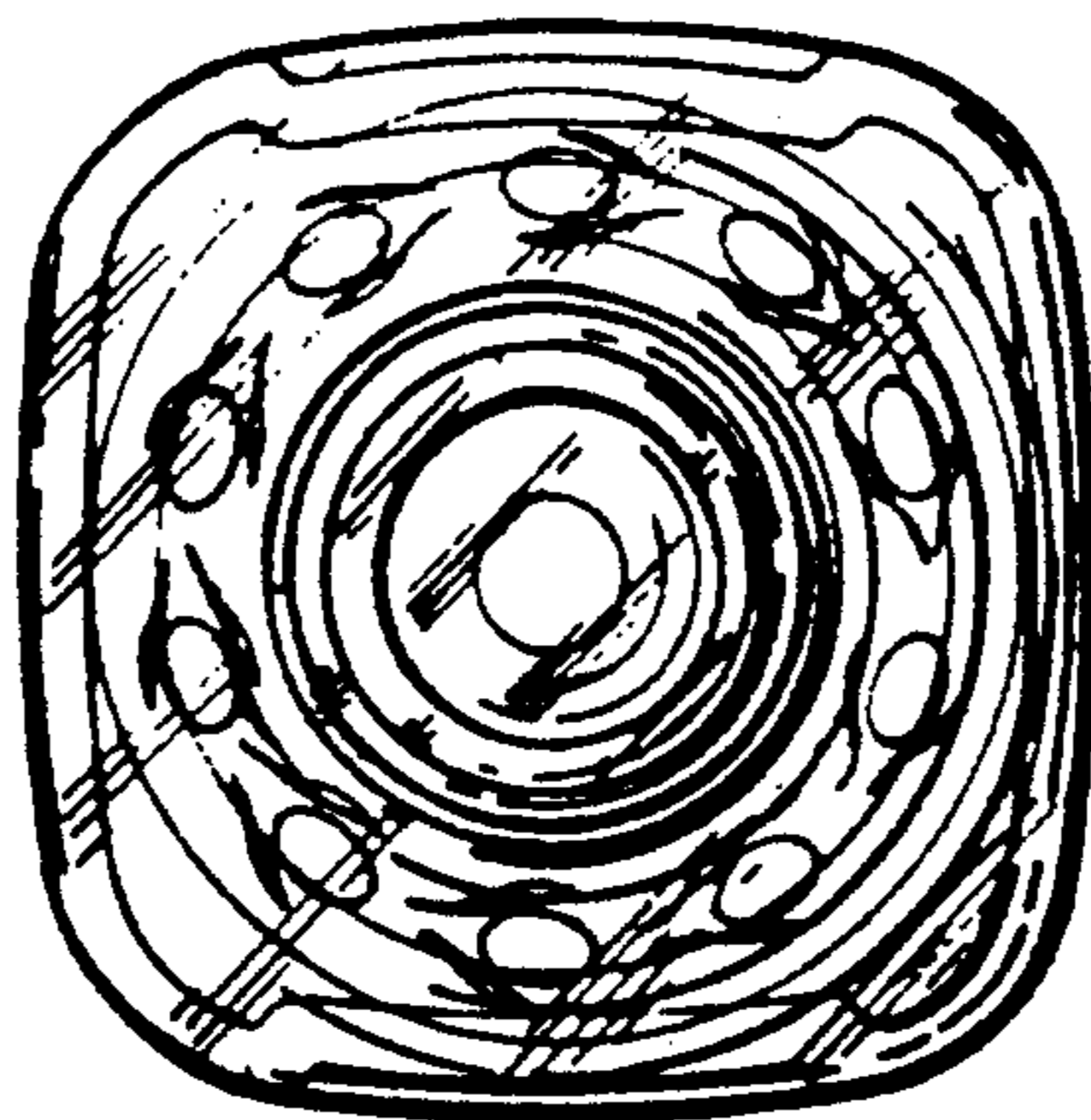


FIG. 5