

[54] COMBINED LINE WINDER AND RULER

[76] Inventor: Richard H. Lueth, 19715 Streit Rd., Harvard, Ill. 60033

[**] Term: 14 Years

[21] Appl. No.: 187,417

[22] Filed: Apr. 28, 1988

[52] U.S. Cl. D8/358; D22/134; D10/71

[58] Field of Search D8/358, 359, 349, 360.1; D22/137, 134, 140, 143, 149, 199, 139; D10/70, 71; 191/12.2 R; 242/68, 96, 84.8, 85.1, 104, 117, 287, 86, 223, 283; 43/27.4, 43.11, 44.98, 57.3

[56] References Cited

U.S. PATENT DOCUMENTS

D. 136,783	12/1943	Le Veck	D8/358
D. 180,332	5/1957	Jackson	D8/358
D. 257,422	10/1980	Greber	D8/359
D. 264,806	6/1982	Russell	D8/358
1,847,798	3/1932	Wark	D22/137 X

3,133,683	5/1964	Deacon, Sr.	43/57.3 X
3,200,533	8/1965	Early	43/57.3
4,123,012	10/1978	Hough	D22/137 X
4,261,529	4/1981	Sandberg et al.	242/85.1
4,497,457	2/1985	Harvey	242/96

Primary Examiner—Wallace R. Burke
Assistant Examiner—Freda S. Nunn
Attorney, Agent, or Firm—Charles F. Meroni, Jr.

[57] CLAIM

The ornamental design for a combined line winder and ruler, as shown and described.

DESCRIPTION

FIG. 1 is a perspective view of a line winder or similar article showing my new design;
FIG. 2 is a side elevational view thereof on an enlarged scale, the opposite side is identical;
FIG. 3 is a top plan view thereof on an enlarged scale;
FIG. 4 is a bottom plan view thereof on an enlarged scale;
FIG. 5 is an end elevational view thereof on an enlarged scale the opposite end is identical.

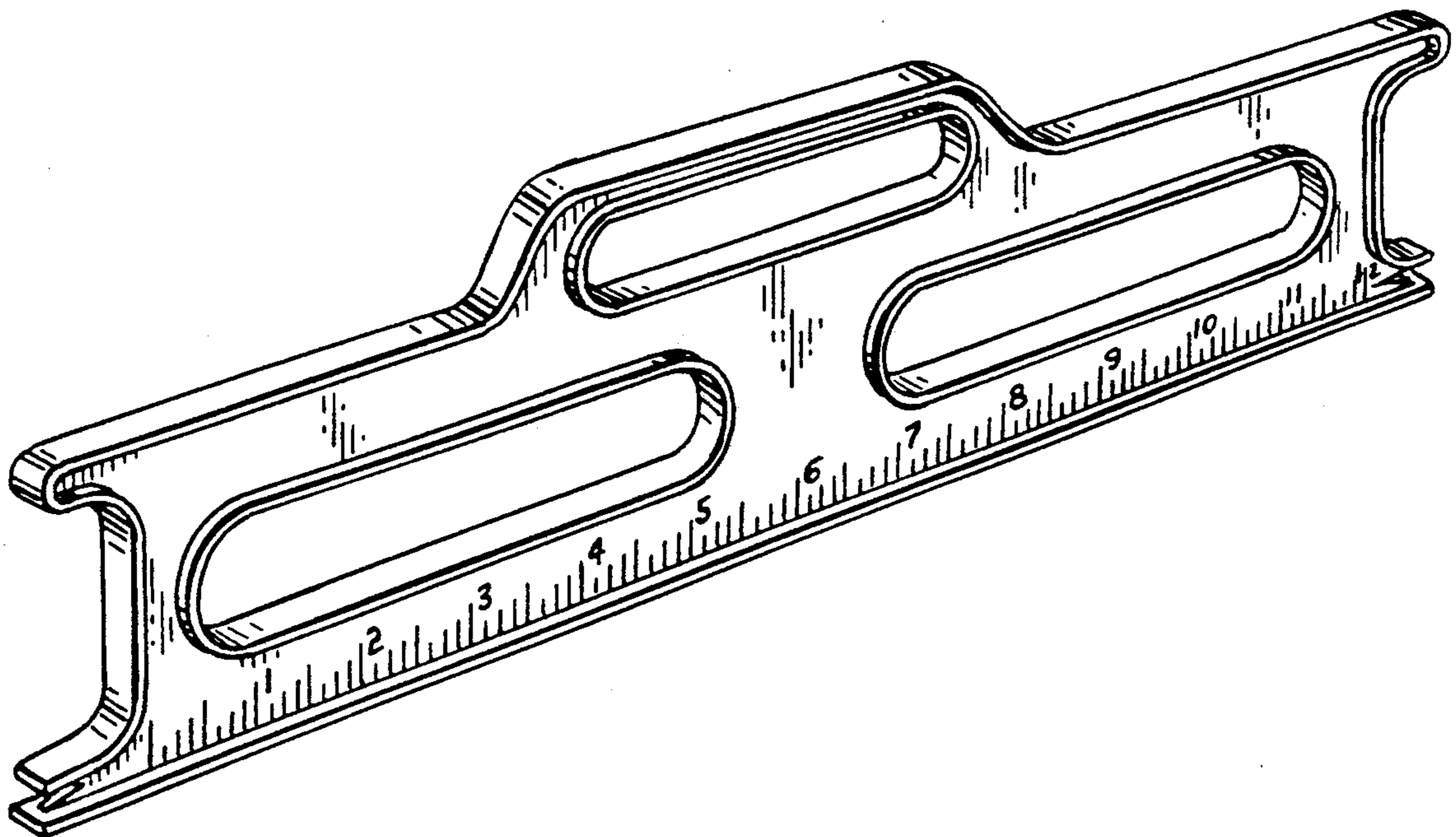


FIG. 1

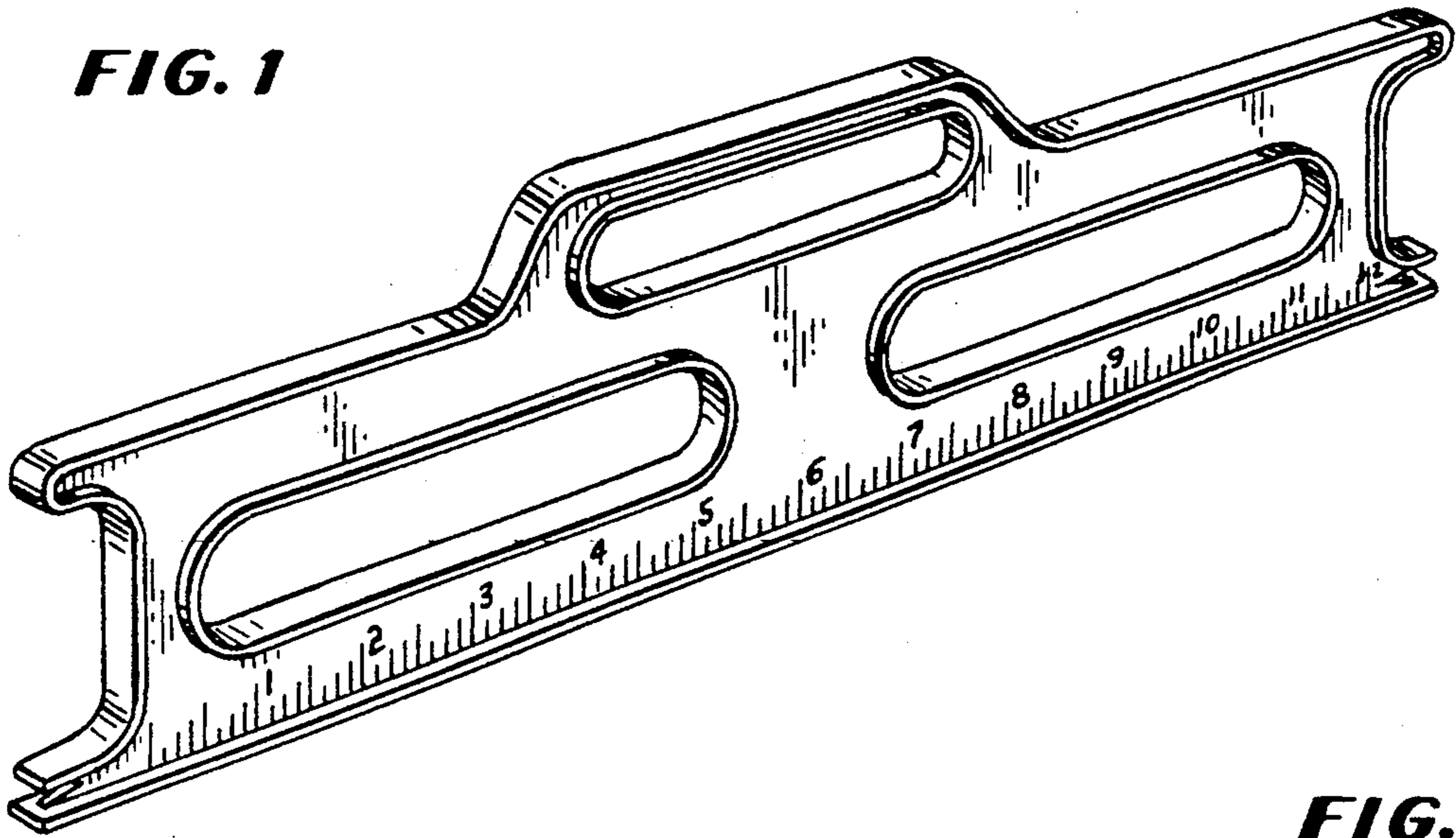


FIG. 2

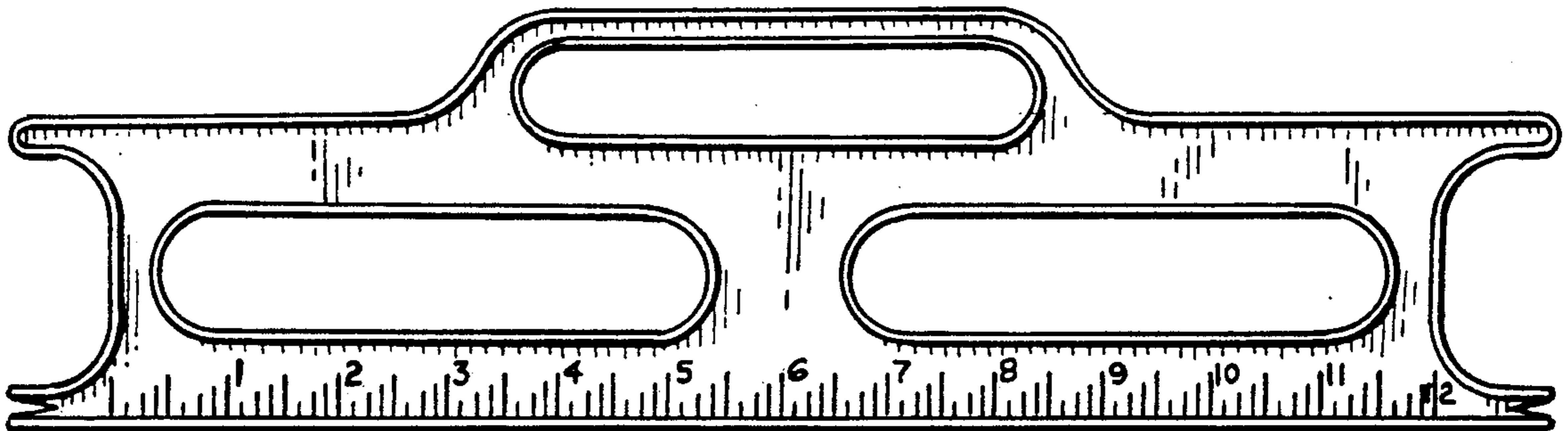


FIG. 3



FIG. 4



FIG. 5

