

[54] TABLE ATTACHED TWO PIECE BRACKET FOR HOLDING A SWING ARM SUPPORT

[75] Inventor: Kurt Scherrer, Münsingen, Switzerland

[73] Assignee: U. Schärer Söhne AG(USM)

[\*\*] Term: 14 Years

[21] Appl. No.: 35,297

[22] Filed: Apr. 7, 1987

[30] Foreign Application Priority Data

Oct. 8, 1986 [CH] Switzerland ..... 115,459

[52] U.S. Cl. .... D8/354

[58] Field of Search ..... D8/349, 354, 355, 380, D8/381, 394; 248/231.4, 231.7, 231.6, 917, 918, 919, 920, 921

[56] References Cited

U.S. PATENT DOCUMENTS

550,443	11/1895	Dedl .....	248/231.4
4,437,638	2/1984	Scheibenflug .....	248/921
4,516,751	5/1985	Westbrook .....	248/920
4,562,987	1/1986	Leeds et al. ....	248/920

Primary Examiner—James M. Gandy  
Assistant Examiner—Melody Brown  
Attorney, Agent, or Firm—Toren, McGeedy & Associates

[57] CLAIM

The ornamental design for a table attached two piece bracket for holding a swing arm support, as shown.

DESCRIPTION

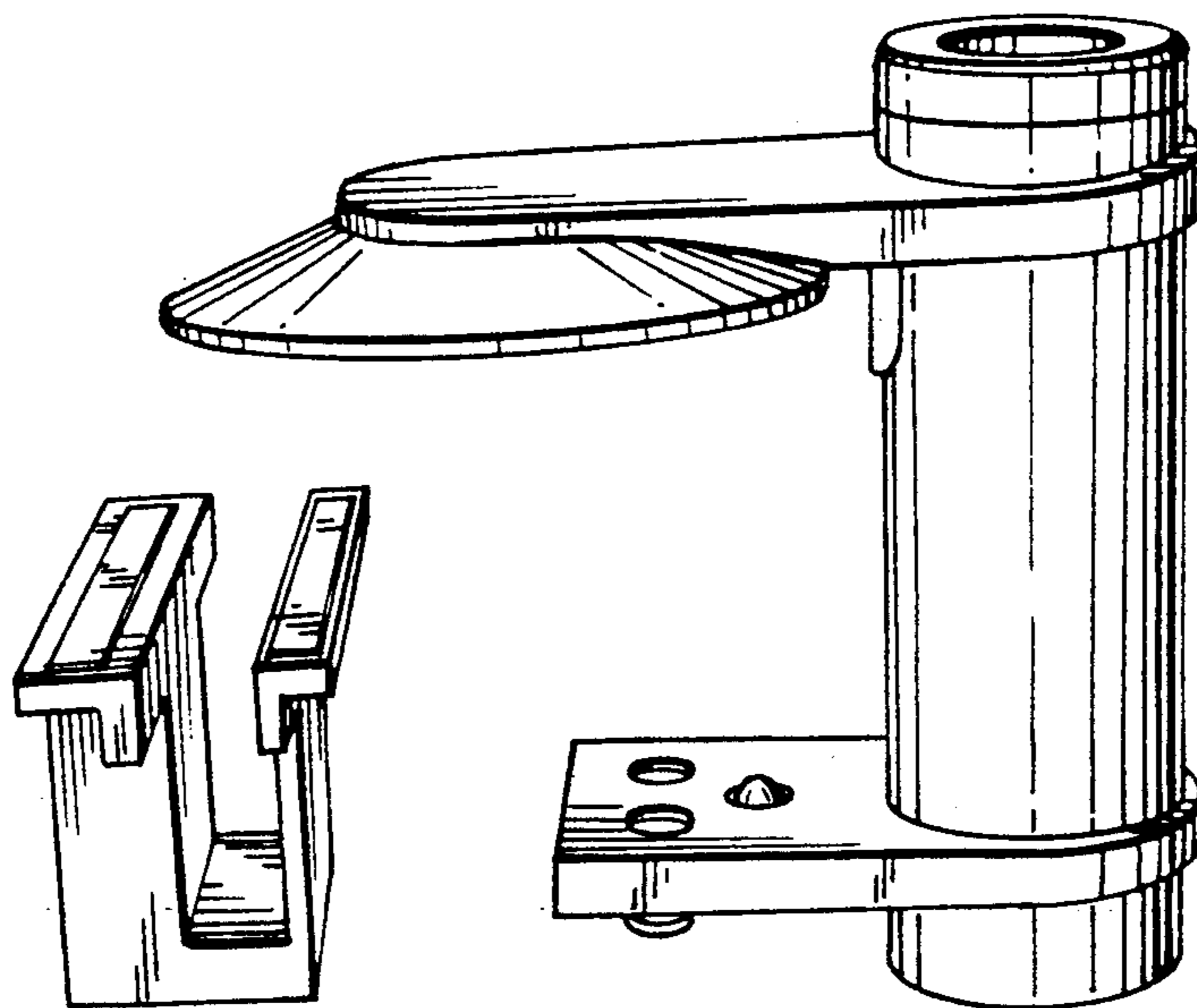
FIG. 1 is a side elevation view of a table attached two piece bracket for holding a swing arm support showing my new design;

FIG. 2 is a top perspective view thereof;

FIG. 3 is a rear elevation view thereof;

FIG. 4 is a front elevation view thereof; and

FIG. 5 is a bottom plan view thereof.



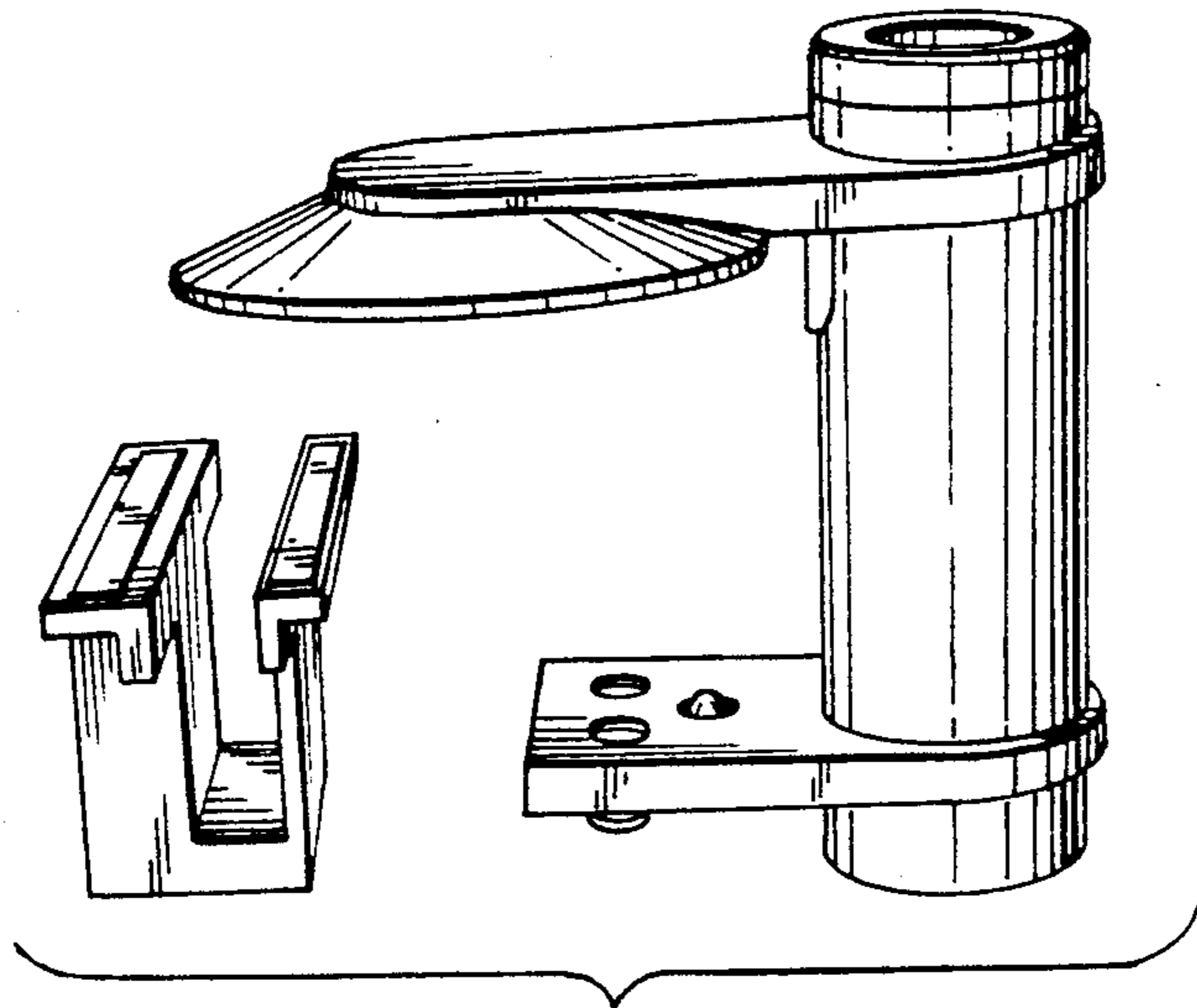


FIG. 1

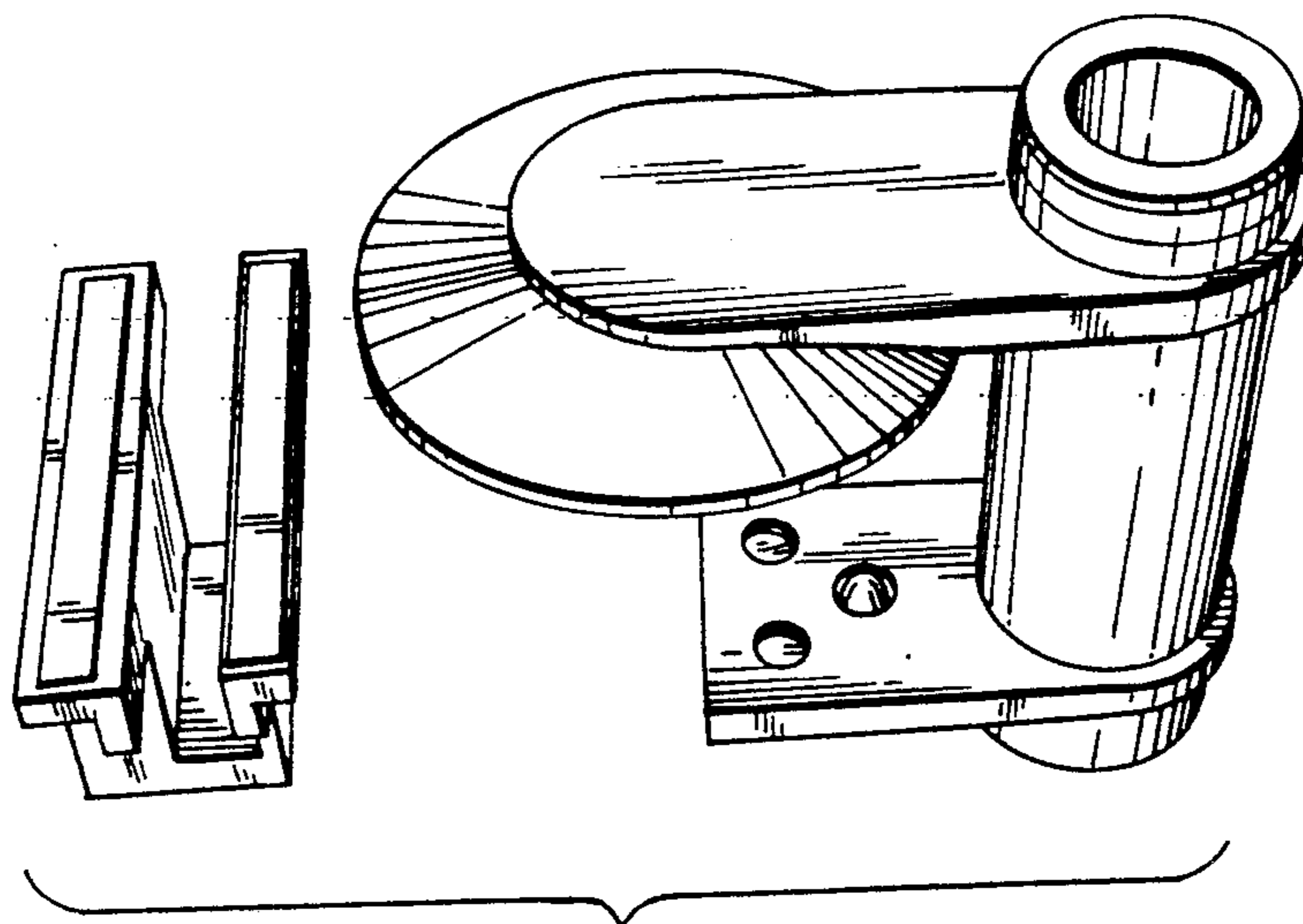


FIG. 2

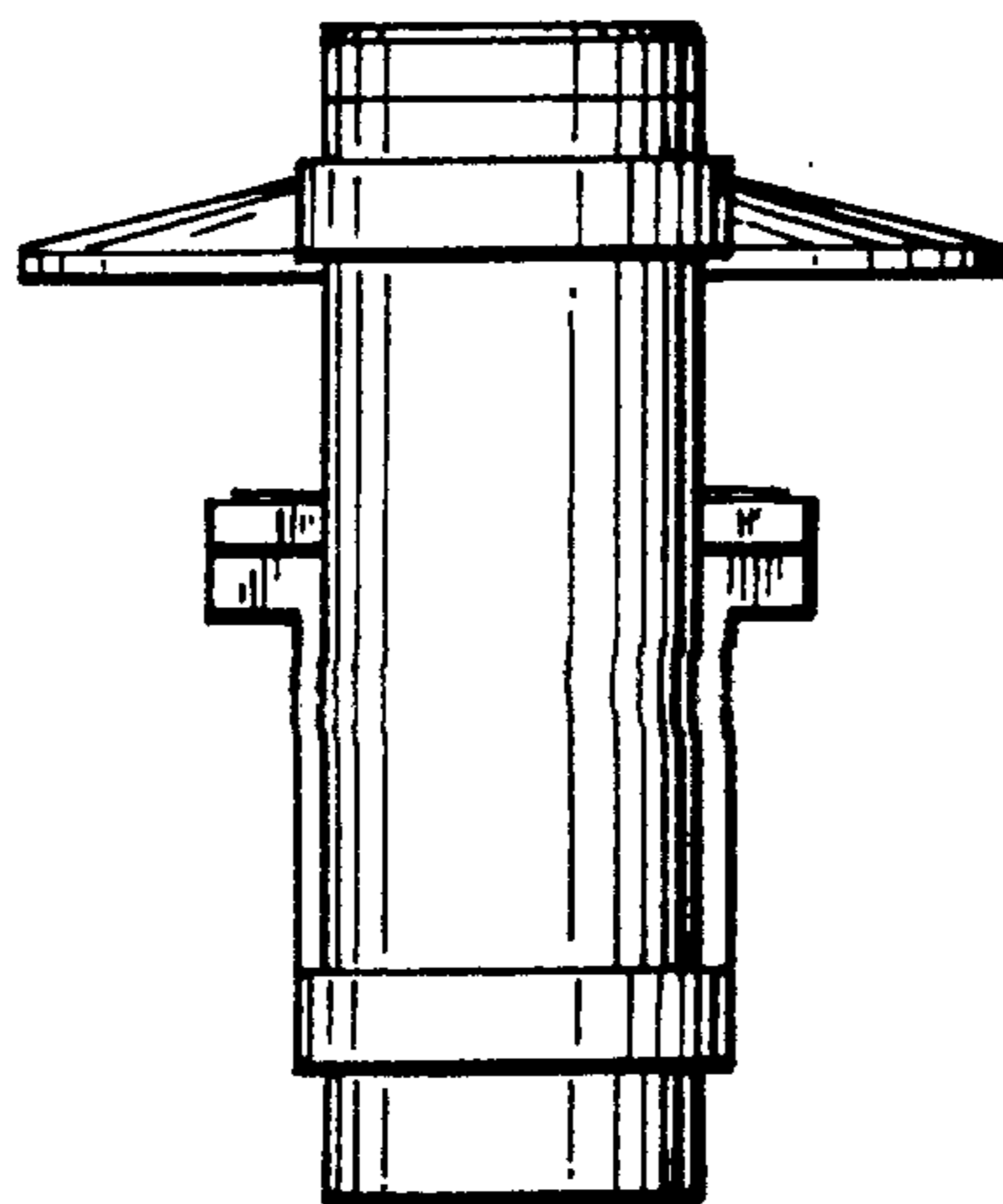


FIG. 3

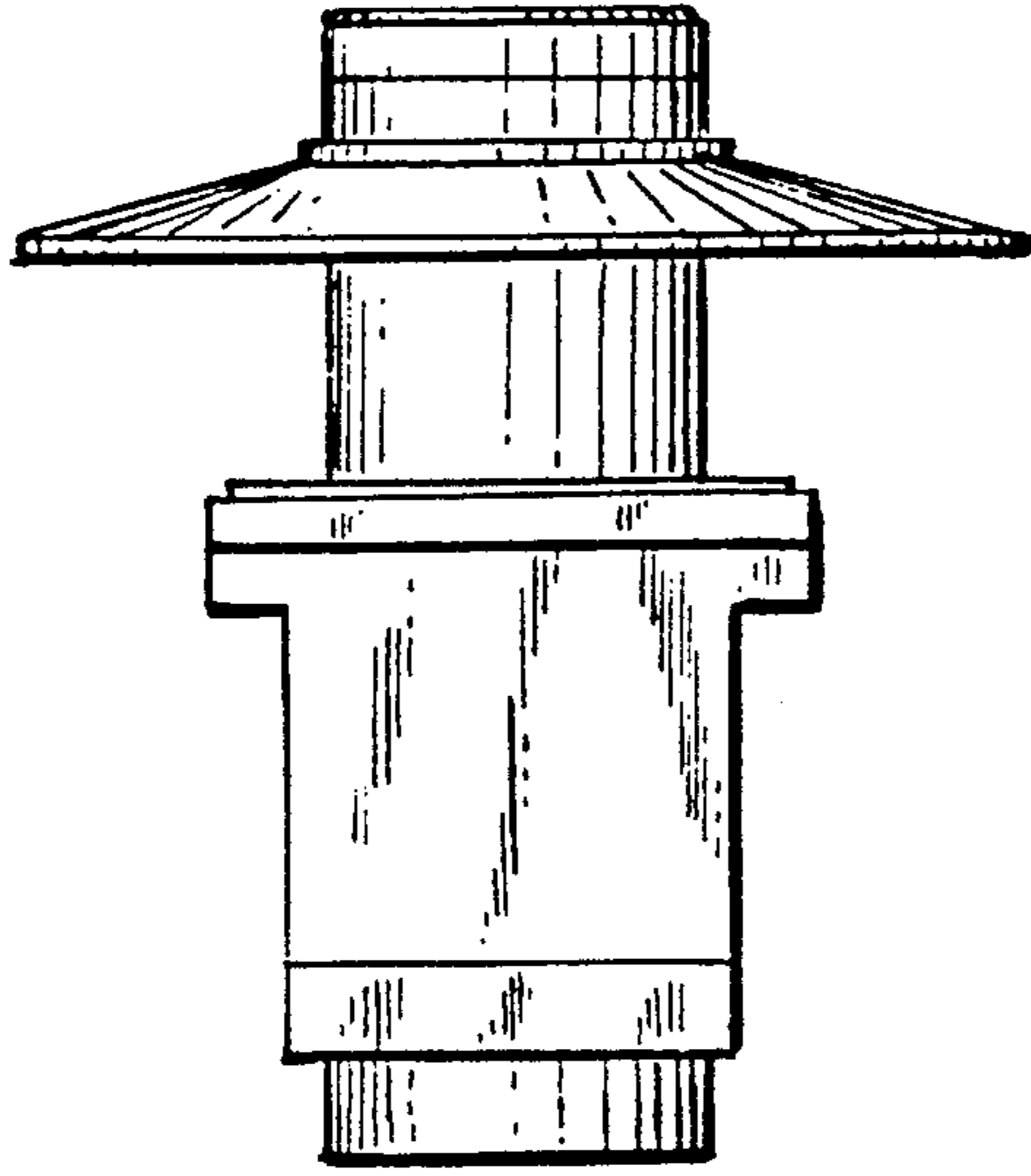


FIG. 4

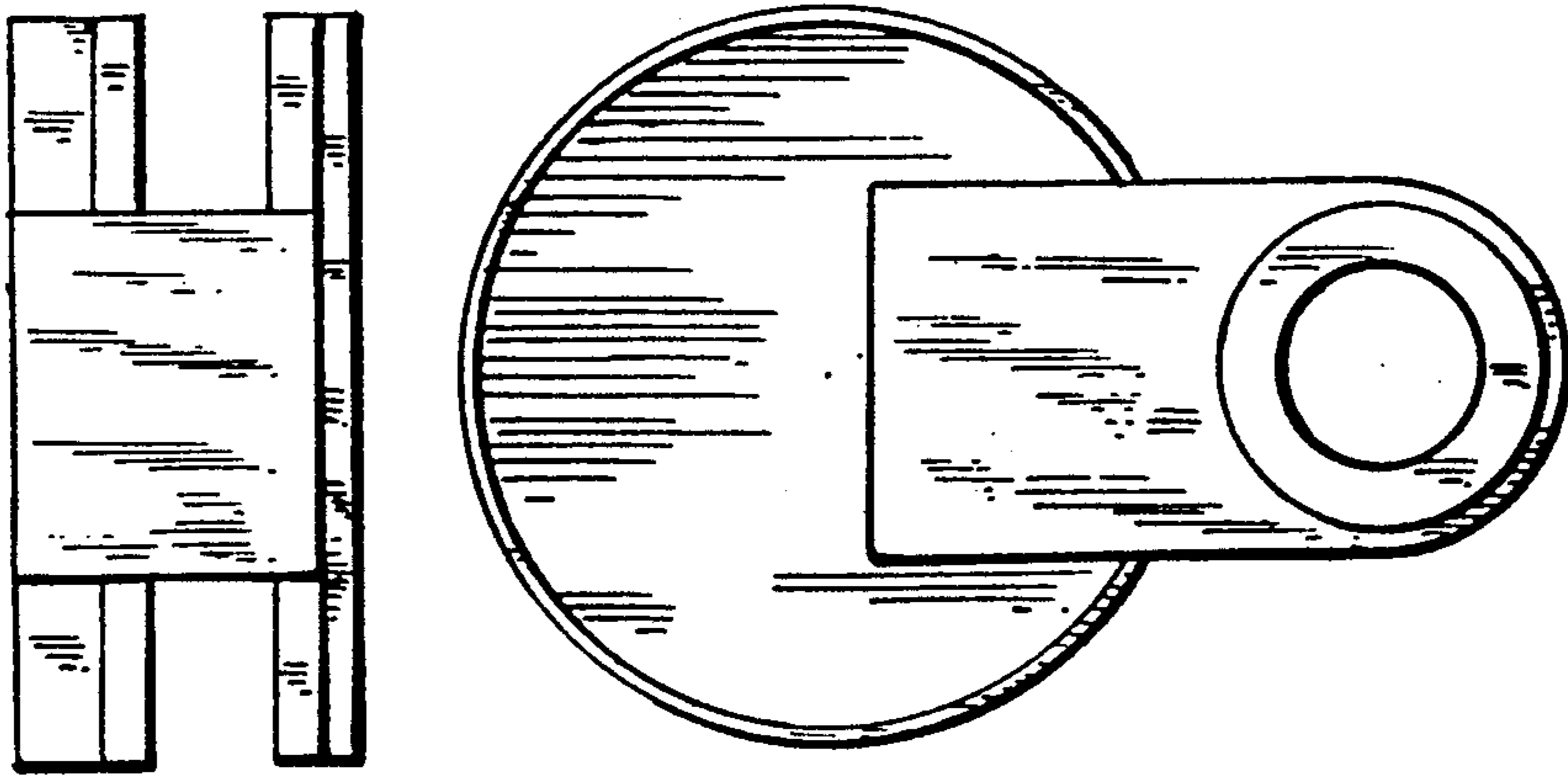


FIG. 5