

[54] GOLF CLUB GRIPPING JIG
 [76] Inventor: Viktor Cukon, 1902 Golden Circle Dr., Escondido, Calif. 92026
 [**] Term: 14 Years
 [21] Appl. No.: 223,751
 [22] Filed: Jul. 25, 1988
 [52] U.S. Cl. D8/71; D8/72
 [58] Field of Search D8/14, 71, 72, 73, 74; 273/32 B; 269/29, 32; 29/281.1, 281.5

3,575,405 4/1971 Harding D8/72 X
 3,685,124 8/1972 Wertz 29/281
 4,019,236 4/1977 Osman 29/281.1
 4,197,627 4/1980 Hirabayashi et al. 29/281.5
 4,835,851 6/1989 Peele 29/281.5

Primary Examiner—Bruce W. Dunkins
 Assistant Examiner—J. H. Musgrove
 Attorney, Agent, or Firm—Lewis E. Massie

[57] CLAIM

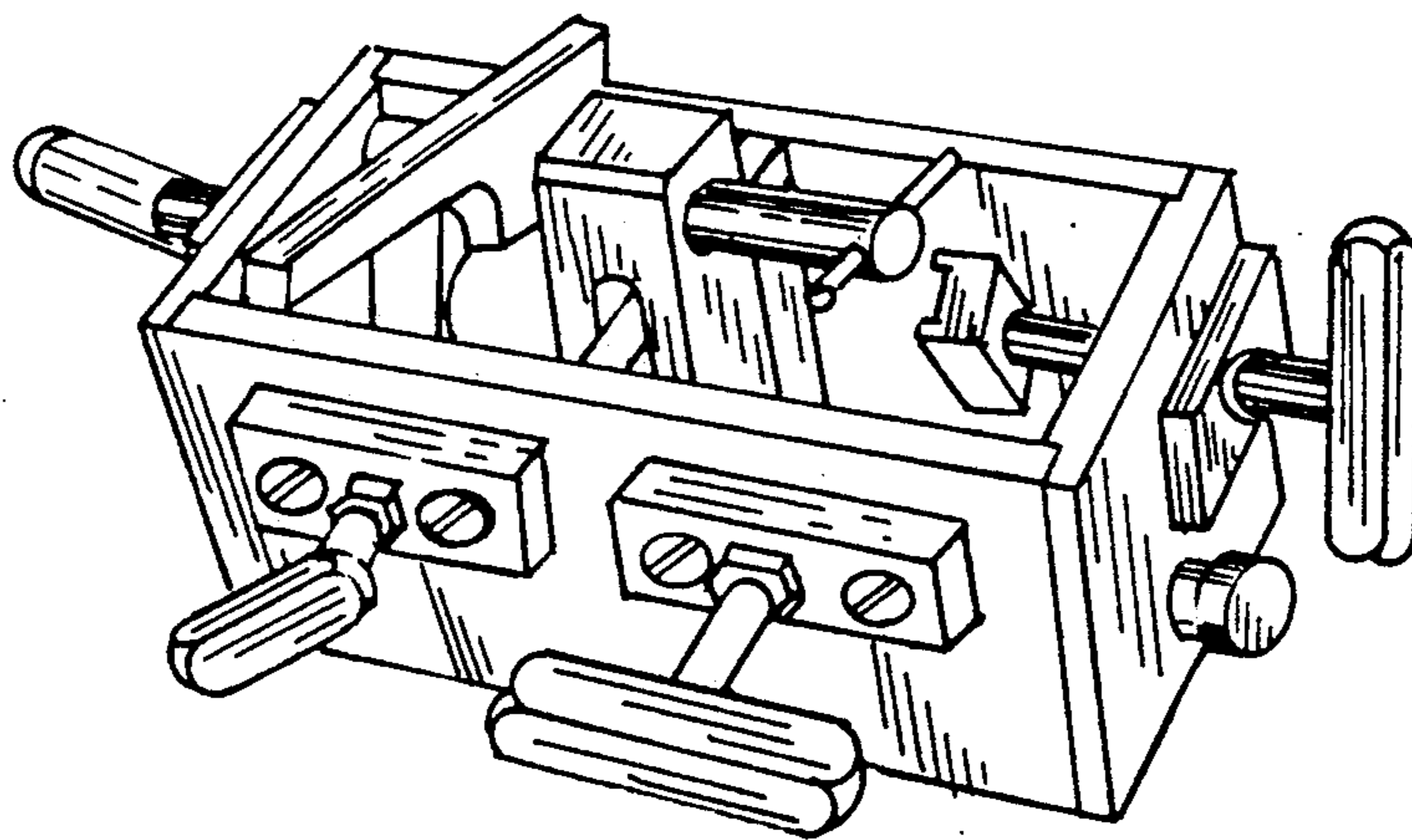
The ornamental design for the golf club gripping jig, as shown and described.

[56] References Cited
 U.S. PATENT DOCUMENTS

D. 234,118 1/1975 Molitors D8/74
 D. 255,578 6/1980 Herczeg D8/72
 D. 262,237 12/1981 Stauber D8/72
 D. 305,608 1/1990 Hahn D8/71
 3,567,208 3/1971 Blatt 269/32

DESCRIPTION

FIG. 1 is a front top right perspective view of a golf club gripping jig showing my new design;
 FIG. 2 is a left side elevational view;
 FIG. 3 is a front elevational view;
 FIG. 4 is a right side elevational view; and
 FIG. 5 is a rear elevational view thereof.



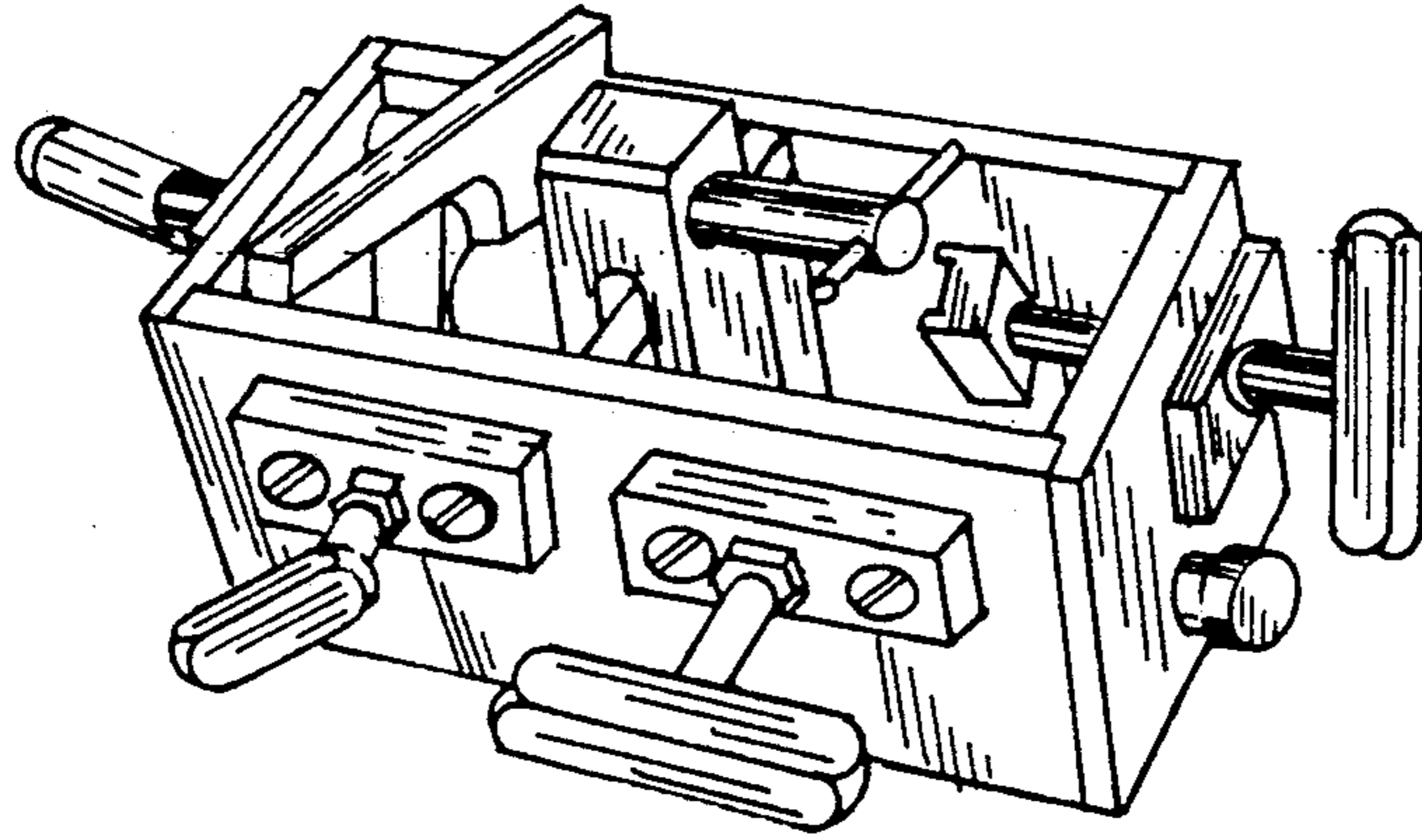


FIG. 1

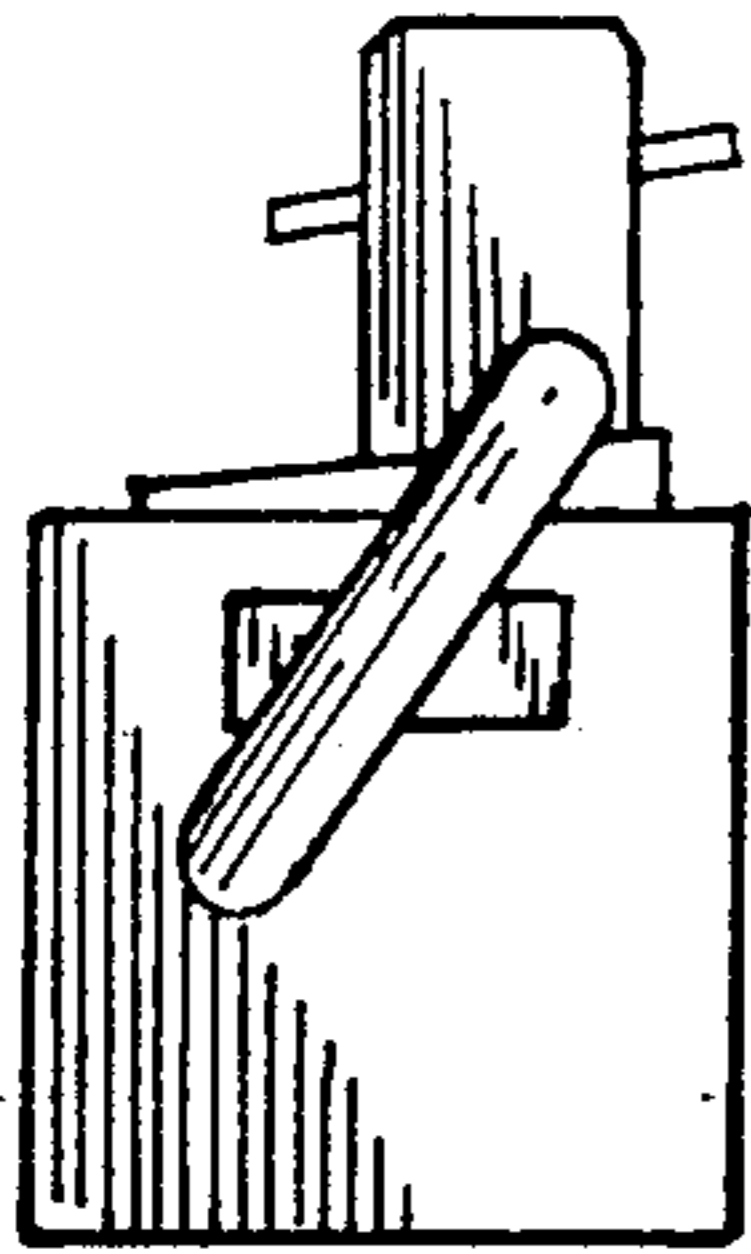


FIG. 2

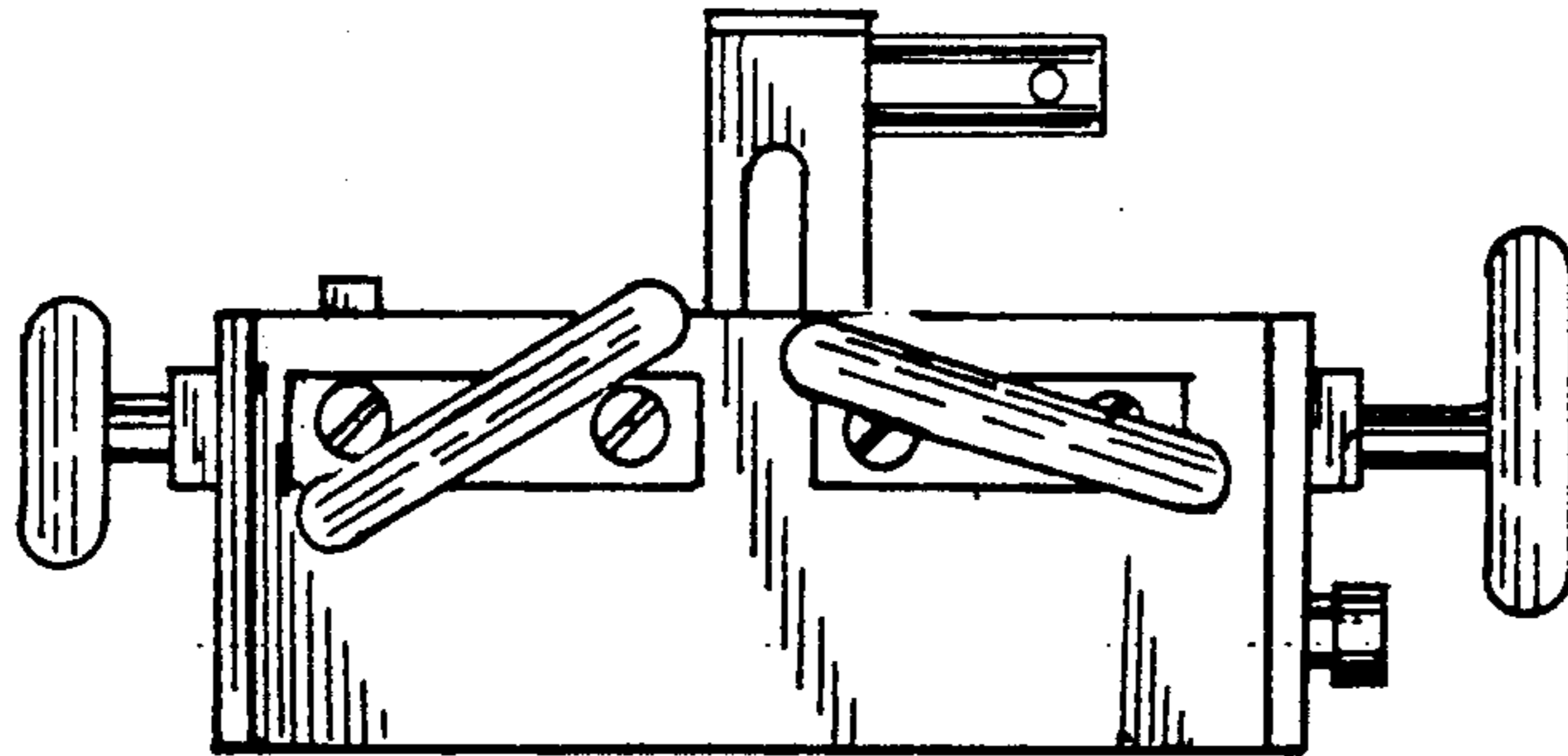


FIG. 3

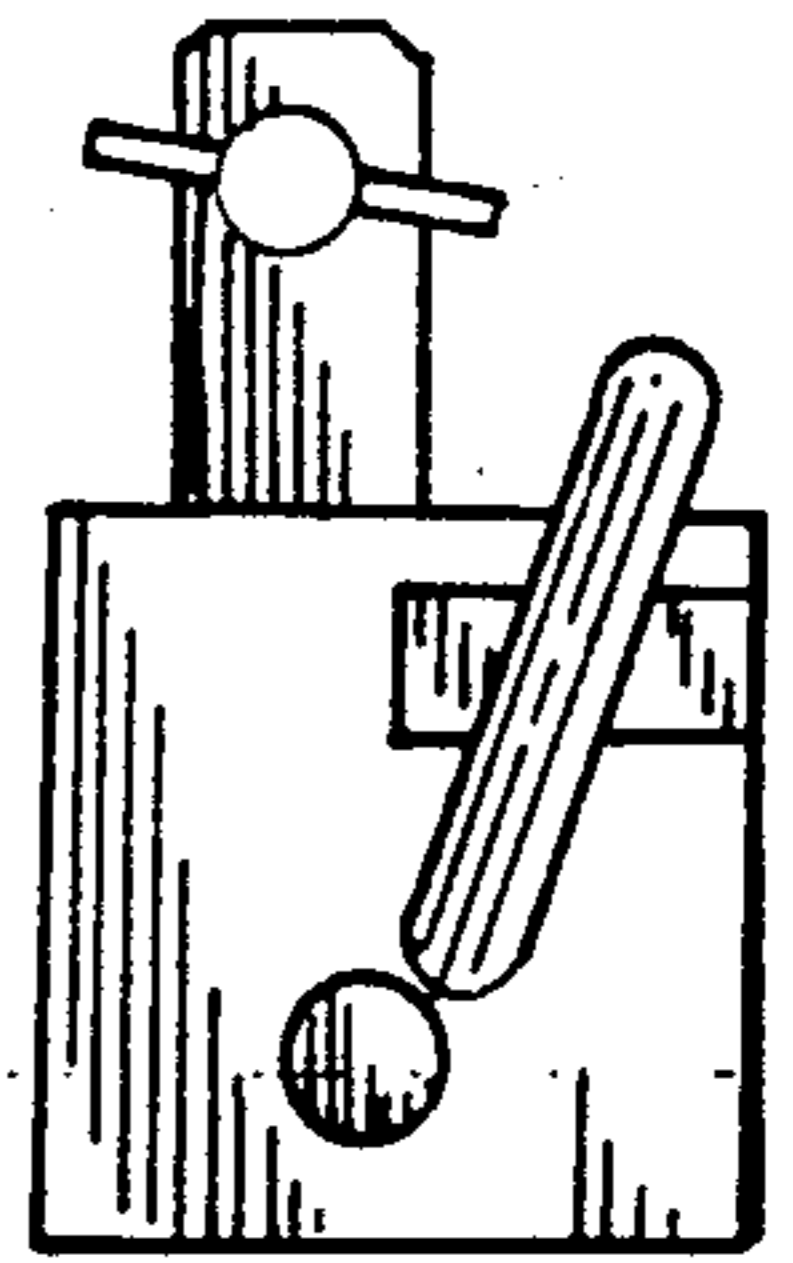


FIG. 4

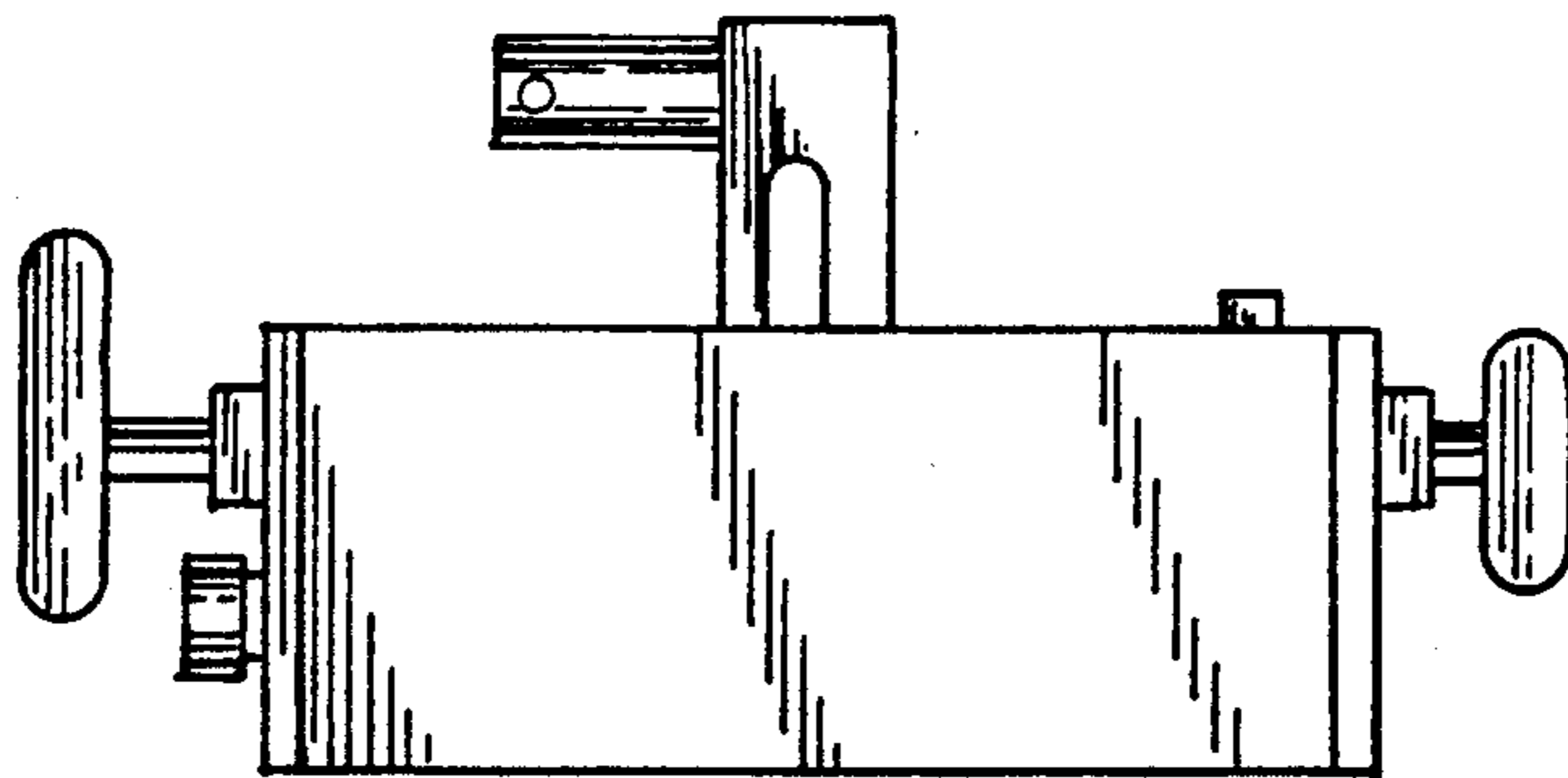


FIG. 5