

[54] PNEUMATIC CUTTER

[75] Inventor: Edward R. Neff, Hacketstown, N.J.

[73] Assignee: American Pneumatic Technologies, Inc., O'Fallon, Mo.

[\*\*] Term: 14 Years

[21] Appl. No.: 168,334

[22] Filed: Mar. 15, 1988

[52] U.S. Cl. .... D8/61; D8/62

[58] Field of Search ..... D8/61, 62, 64; 81/57.11; 51/27; 30/272.1, 388

D. 310,160 8/1990 Patel ..... D8/61  
4,864,727 9/1989 Chu ..... 30/272.1  
4,891,915 1/1990 Yasuda ..... D8/62 X

OTHER PUBLICATIONS

Aro catalog dated 6-9-1986, p. 8, Die Grinders model 7153-C.

Primary Examiner—Nelson C. Holtje  
Assistant Examiner—J. H. Musgrove  
Attorney, Agent, or Firm—Kalish & Gilster

[57] CLAIM

The ornamental design for the pneumatic cutter, as shown and described.

References Cited

U.S. PATENT DOCUMENTS

D. 284,546	7/1986	Kawakami	.....	D8/62
D. 289,135	4/1987	Doman	.....	D8/61
D. 291,276	8/1987	Karubian	.....	D8/66
D. 293,073	12/1987	Kurihara et al.	.....	D8/61
D. 301,830	6/1989	Ogawa	.....	D8/62
D. 303,346	9/1989	Ogawa	.....	D8/61

DESCRIPTION

FIG. 1 is a side elevational view of a pneumatic cutter the opposite side being a mirror image showing my new design;  
FIG. 2 is a front elevational view;  
FIG. 3 is a rear elevational view;  
FIG. 4 is a top plan view thereof;  
FIG. 5 is a bottom plan view thereof.

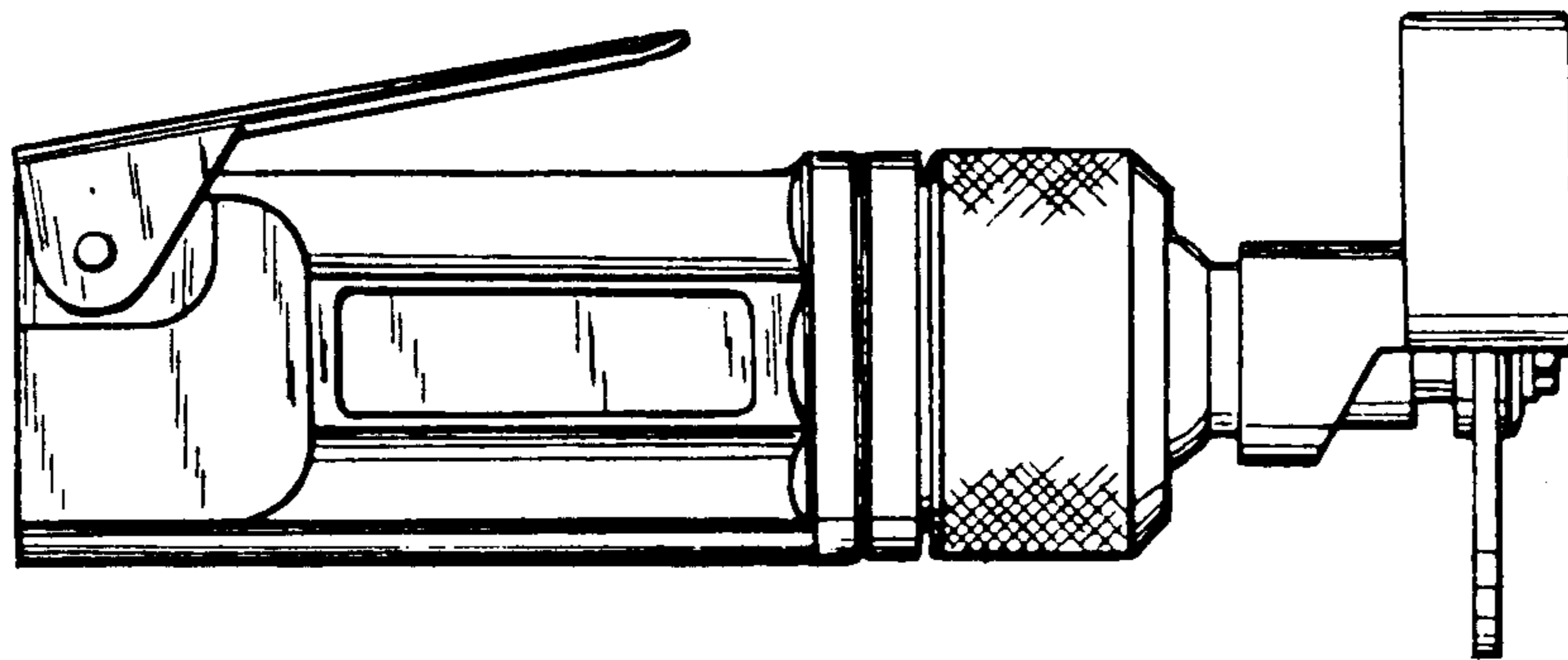


FIG. 1

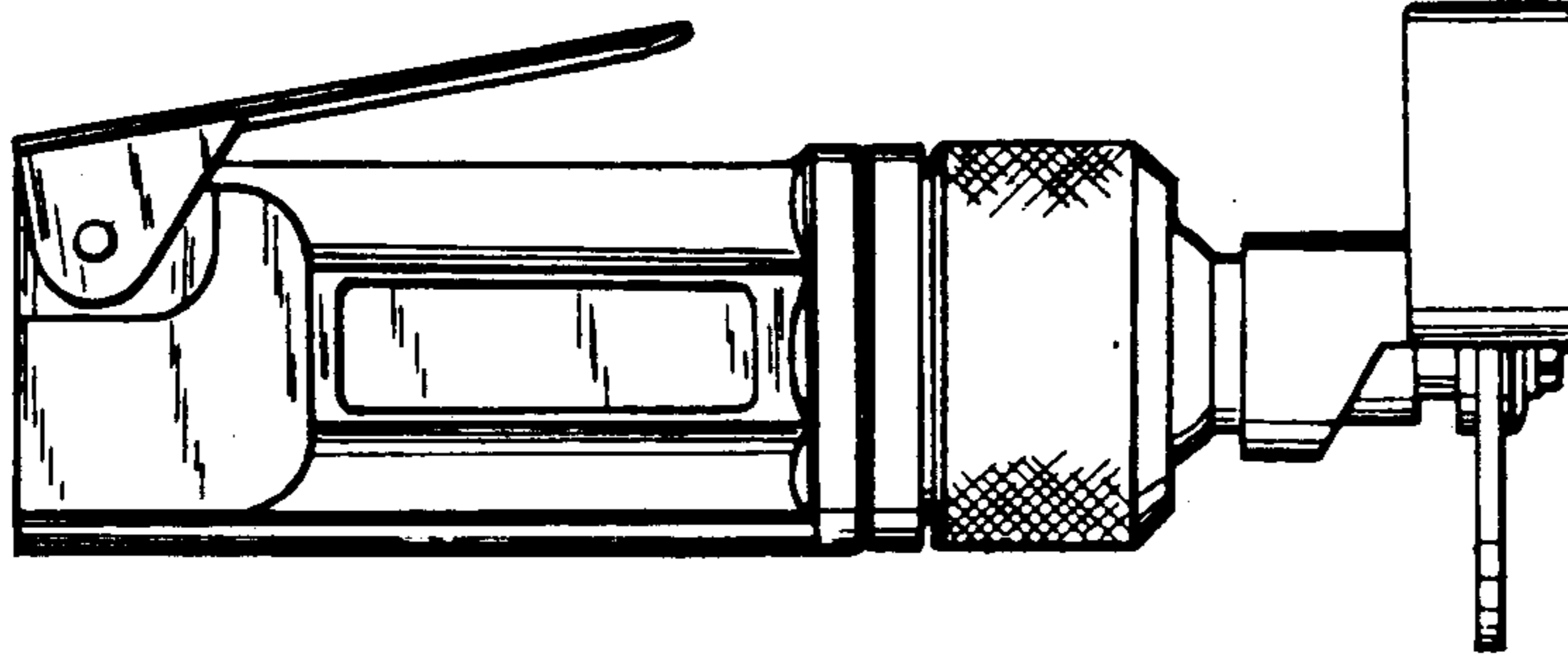


FIG. 2

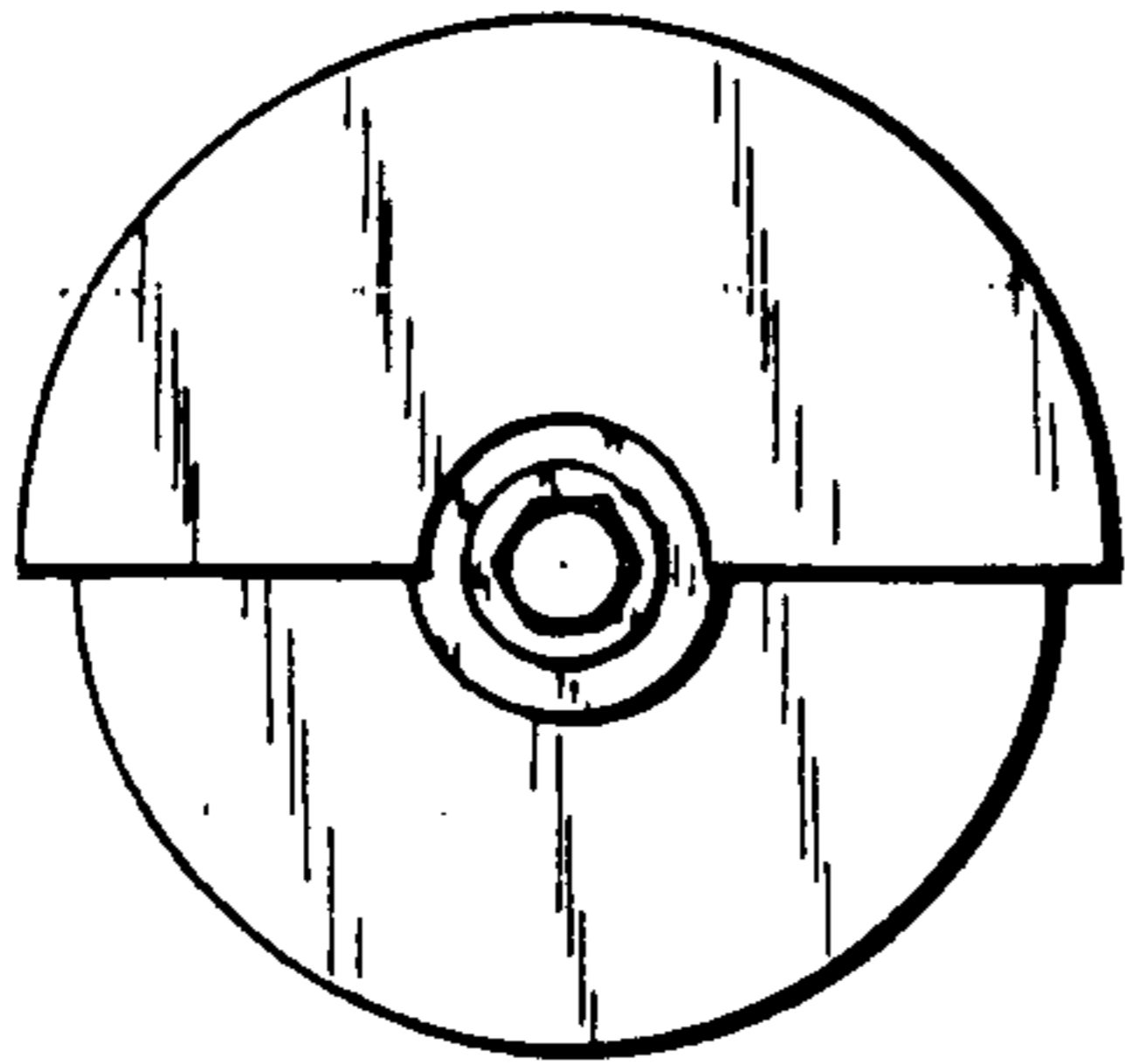


FIG. 3

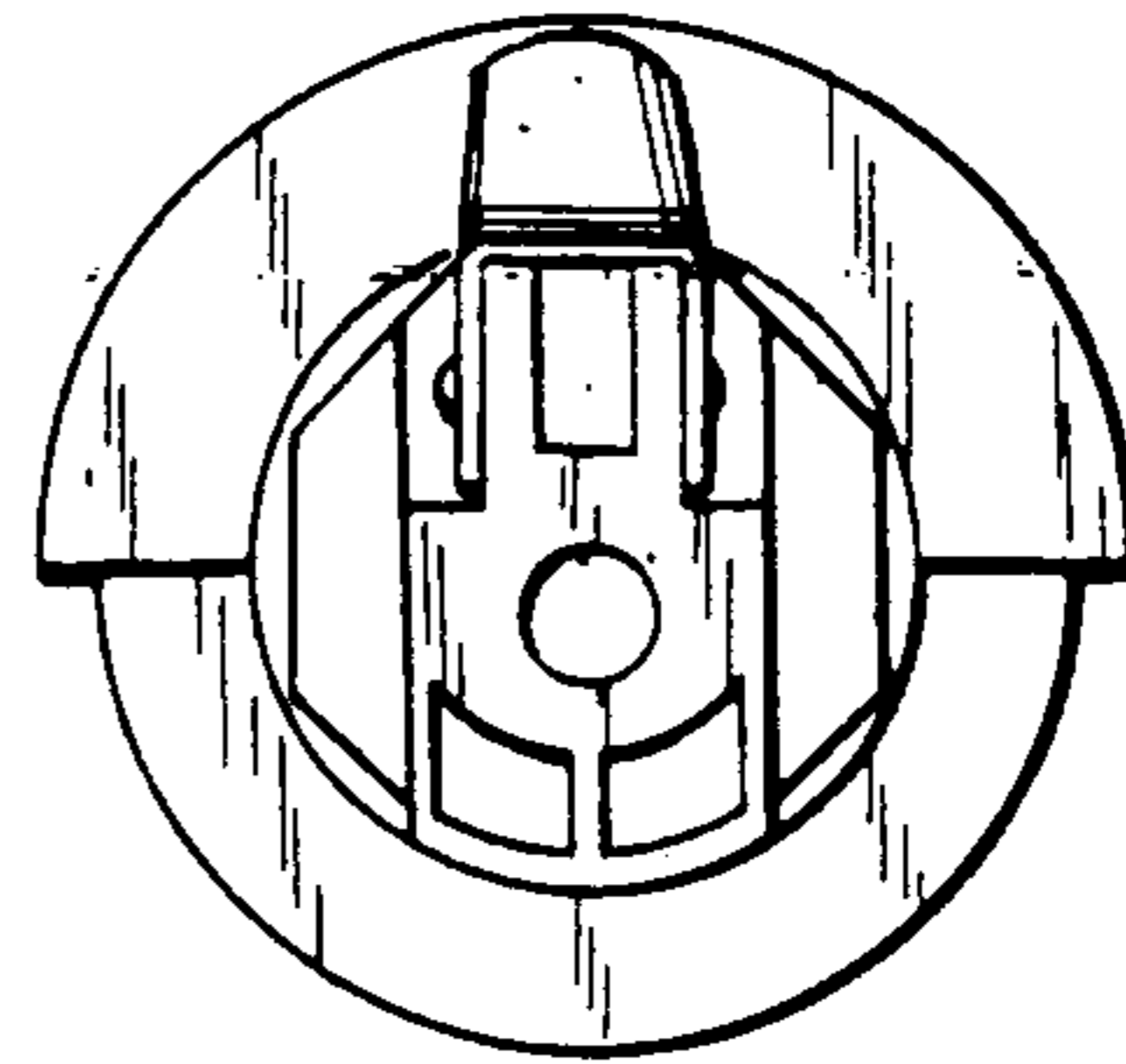


FIG. 4

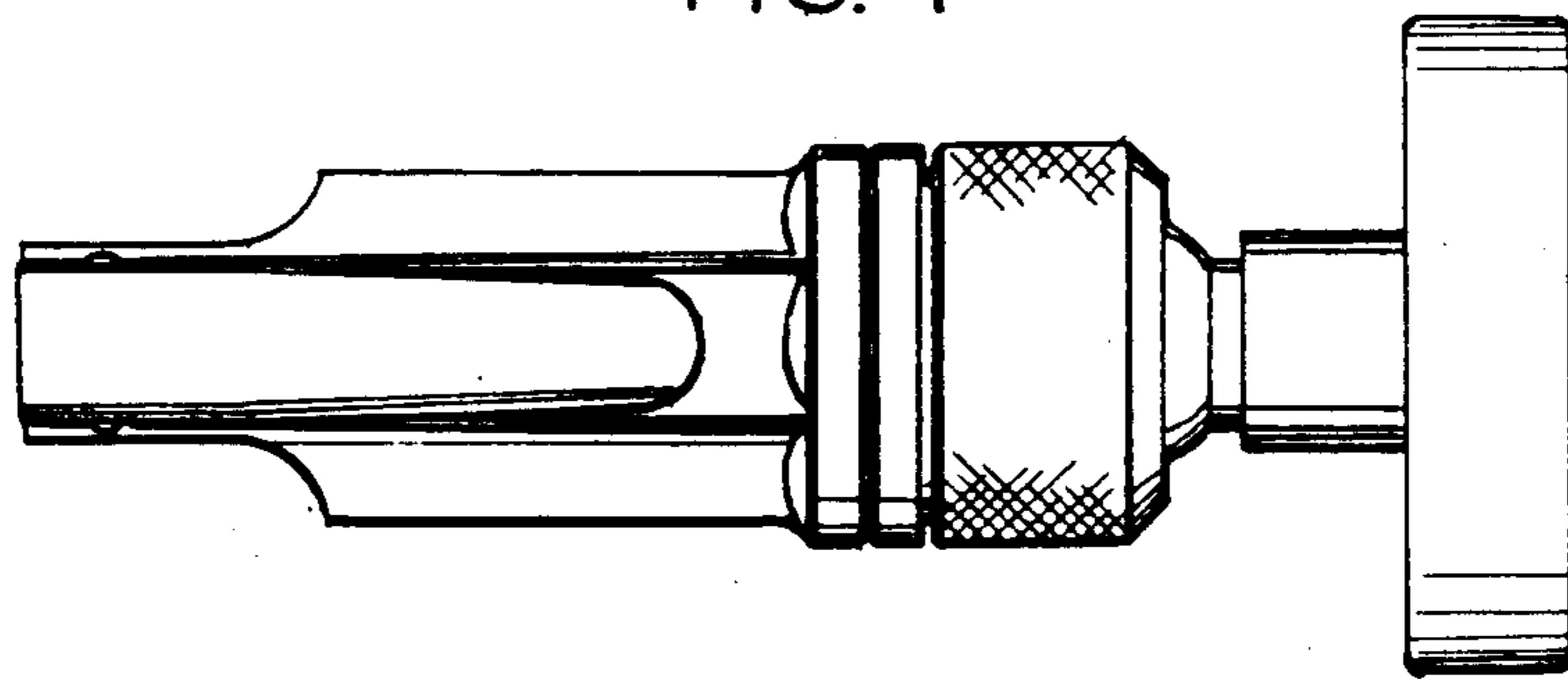


FIG. 5

