

[54] BAGEL SLICING GUIDE

[76] Inventor: Hubert F. Mulherin, 279 Victoria Street, Edmundston, New Brunswick, Canada, E3V 2J1

[**] Term: 14 Years

[21] Appl. No.: 369,542

[22] Filed: Jun. 19, 1989

[30] Foreign Application Priority Data

Apr. 3, 1989 [CA] Canada 0304895
 [52] U.S. Cl. D7/673
 [58] Field of Search D7/672, 673; 83/761, 83/762; 269/288, 289 R, 291, 292, 295

[56] References Cited

U.S. PATENT DOCUMENTS

- D. 237,676 11/1975 Benktzon et al. .
- D. 253,329 11/1979 Latham .
- D. 277,066 1/1985 Levine .
- D. 277,445 2/1985 Levine .
- D. 279,156 6/1985 Levine .
- D. 309,230 7/1990 Mulherin D7/673
- 638,135 11/1899 Osborn .
- 1,053,147 2/1913 Bennett .
- 1,131,333 3/1915 Coon .
- 1,307,397 6/1919 Garlock .
- 1,328,301 1/1920 Serrell .
- 1,334,696 3/1920 Garlock .
- 1,405,720 2/1922 Scott .
- 1,441,887 1/1923 Scott .
- 1,658,743 2/1928 Sayer .
- 1,867,993 7/1932 Tuttle .
- 1,867,993 7/1932 Tuttle .
- 1,918,675 7/1933 Webster .

- 1,949,759 3/1934 Pflingsten .
- 3,018,806 1/1962 Moore .
- 3,338,282 8/1967 Blum .
- 3,347,296 10/1967 Rothman .
- 3,452,795 7/1967 Davies .
- 4,125,046 11/1978 Kroh et al. .
- 4,249,445 2/1981 Browning .
- 4,399,989 8/1983 Baillie .
- 4,589,206 5/1986 Marcoux .
- 4,747,331 5/1988 Policella .
- 4,948,106 8/1990 Popeil et al. D7/673 X

FOREIGN PATENT DOCUMENTS

- 446636 12/1974 U.S.S.R. .
- 1202 2/1912 United Kingdom .
- 177061 3/1922 United Kingdom .
- 206009 11/1923 United Kingdom .

OTHER PUBLICATIONS

Fuller Brush Catalog, f '85, p. 13, Bagel Slicer "M".

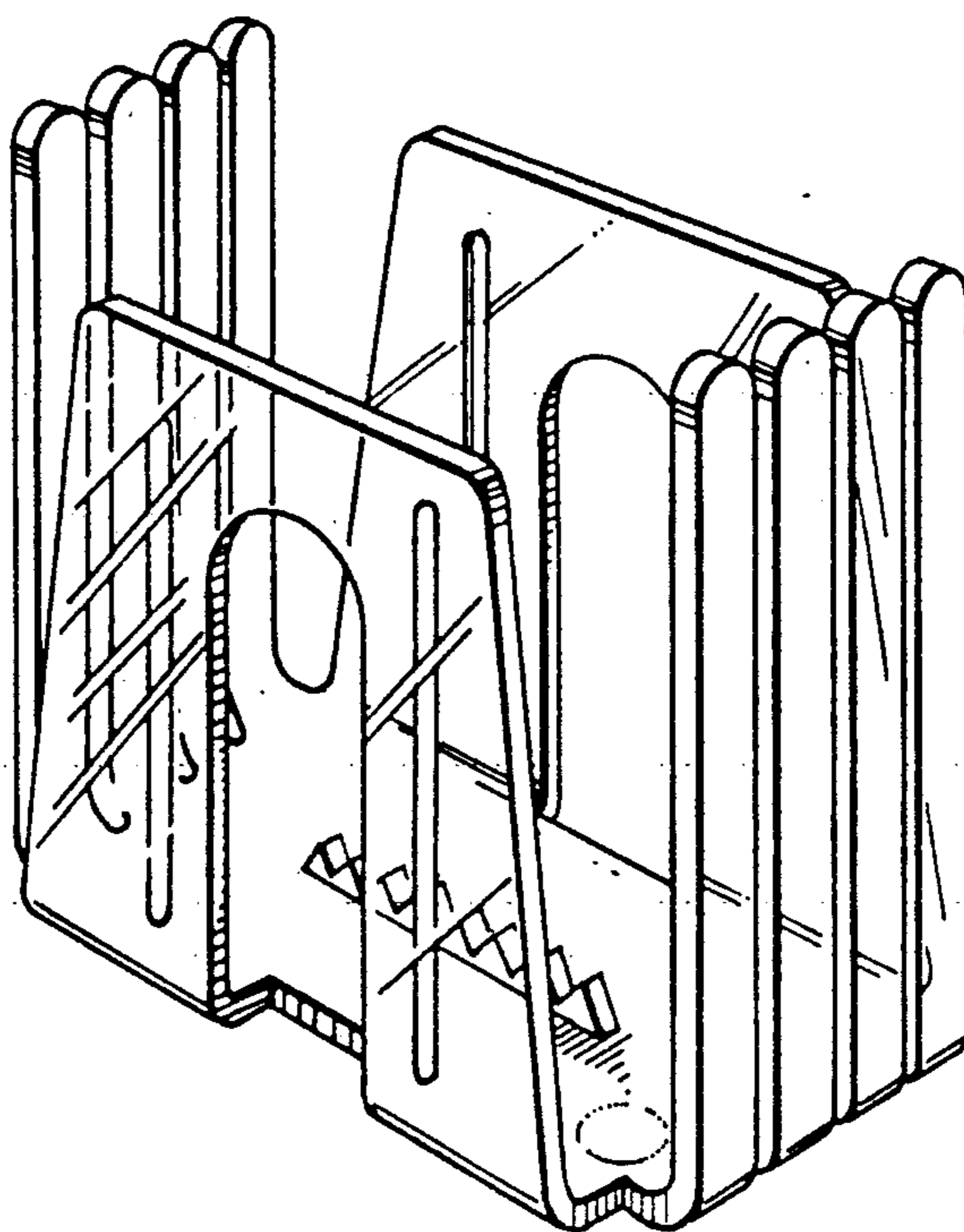
Primary Examiner—Bernard Ansher
 Assistant Examiner—Terry A. Pfeffer
 Attorney, Agent, or Firm—Sughrue, Mion, Zinn, Macpeak & Seas

[57] CLAIM

The ornamental design for the bagel slicing guide, as shown.

DESCRIPTION

FIG. 1 is a perspective view of a bagel slicing guide showing my new design;
 FIG. 2 is a side elevational view thereof;
 FIG. 3 is a top plan view thereof;
 FIG. 4 is a bottom plan view thereof;
 FIG. 5 is a front elevational view thereof; and
 FIG. 6 is a rear elevational view thereof.



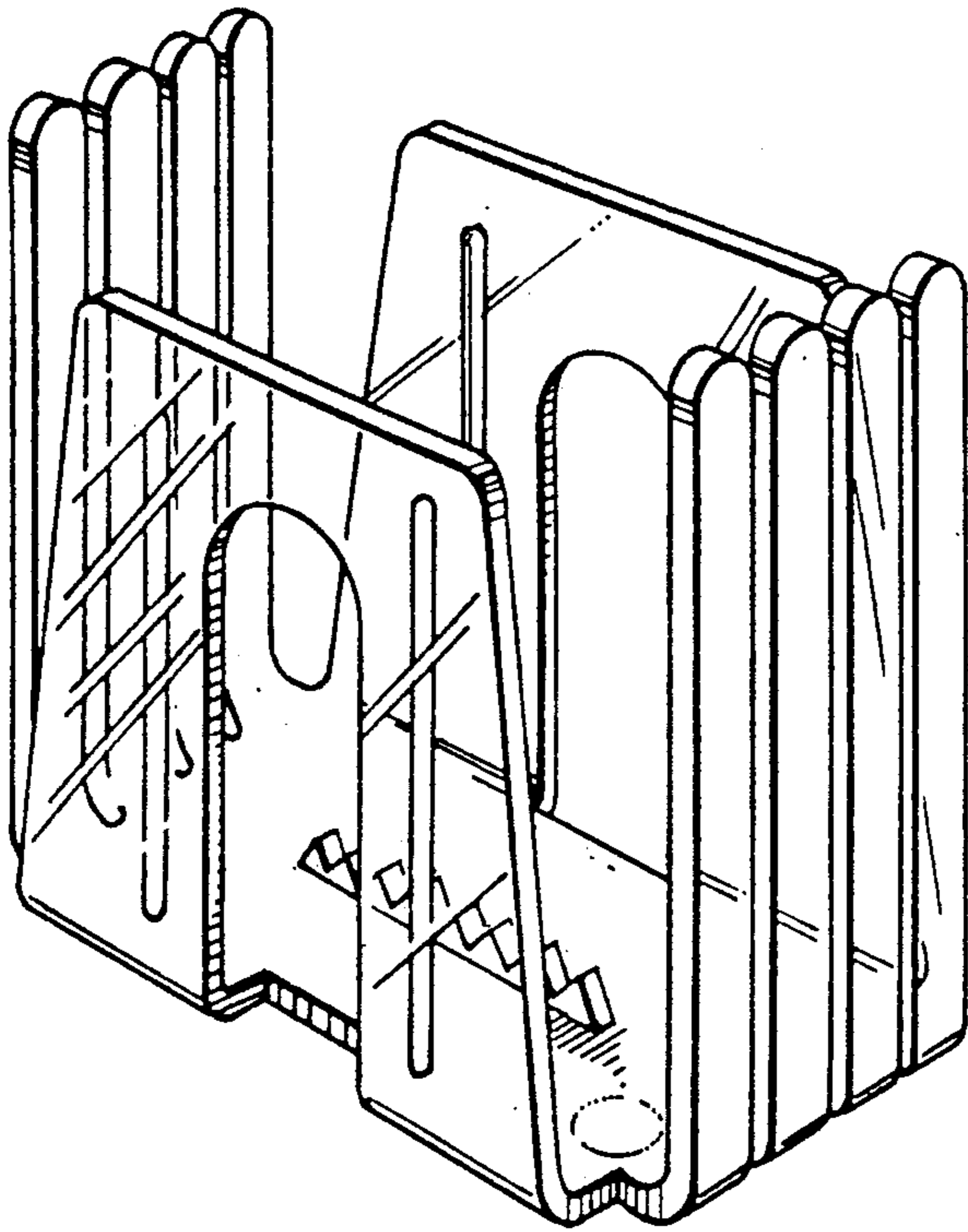


FIG. 1

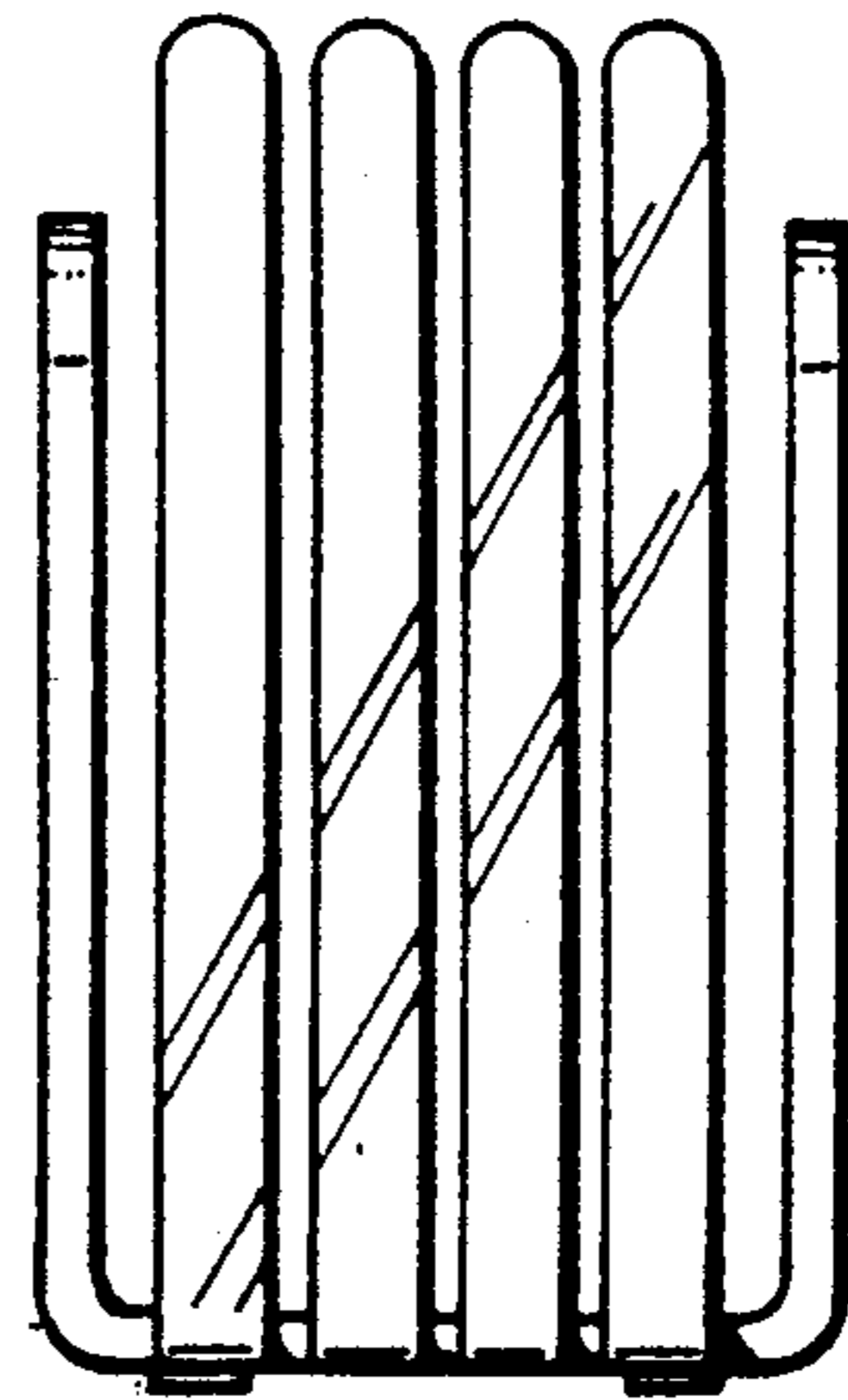


FIG. 2

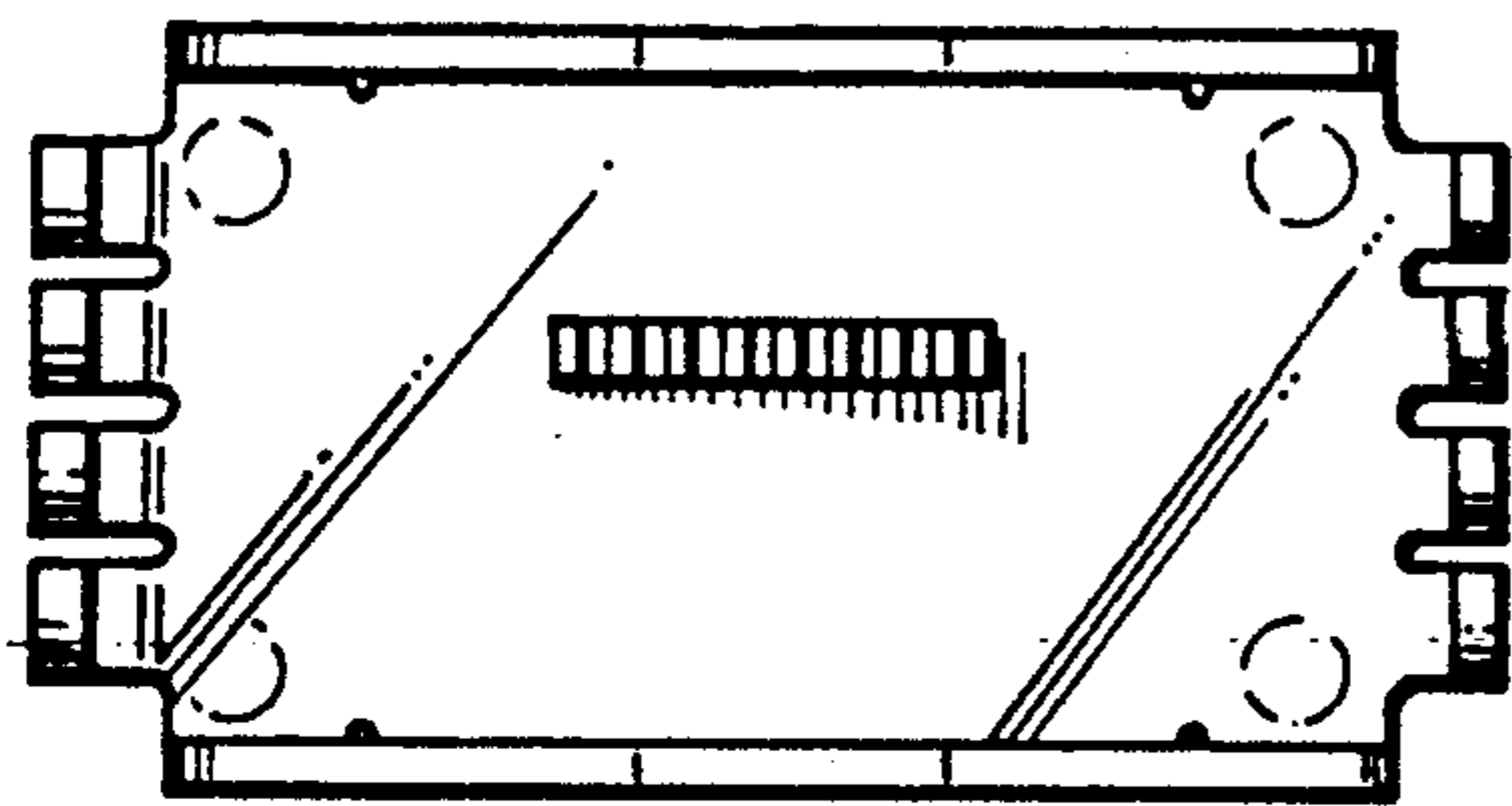


FIG. 3

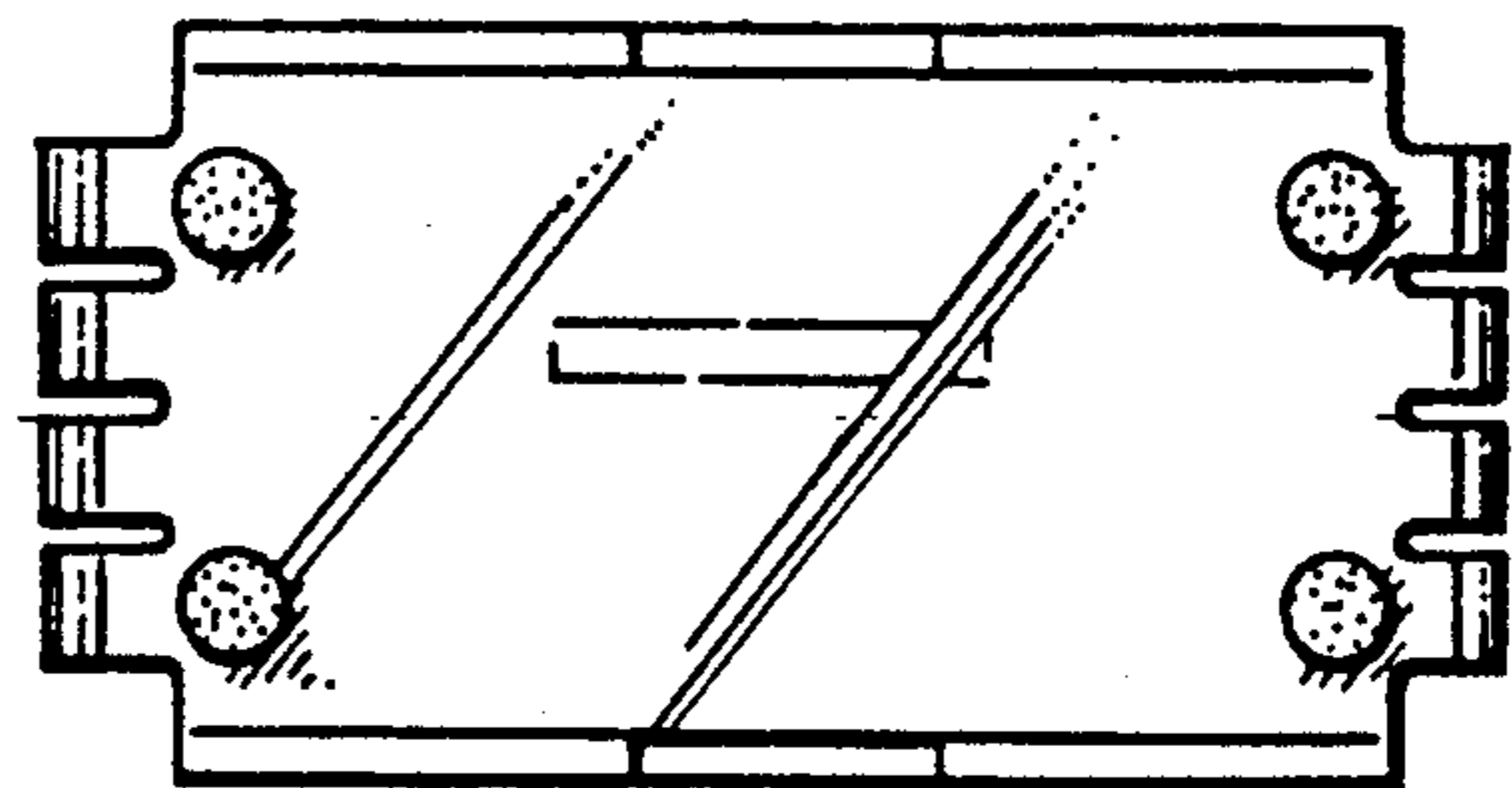


FIG. 4

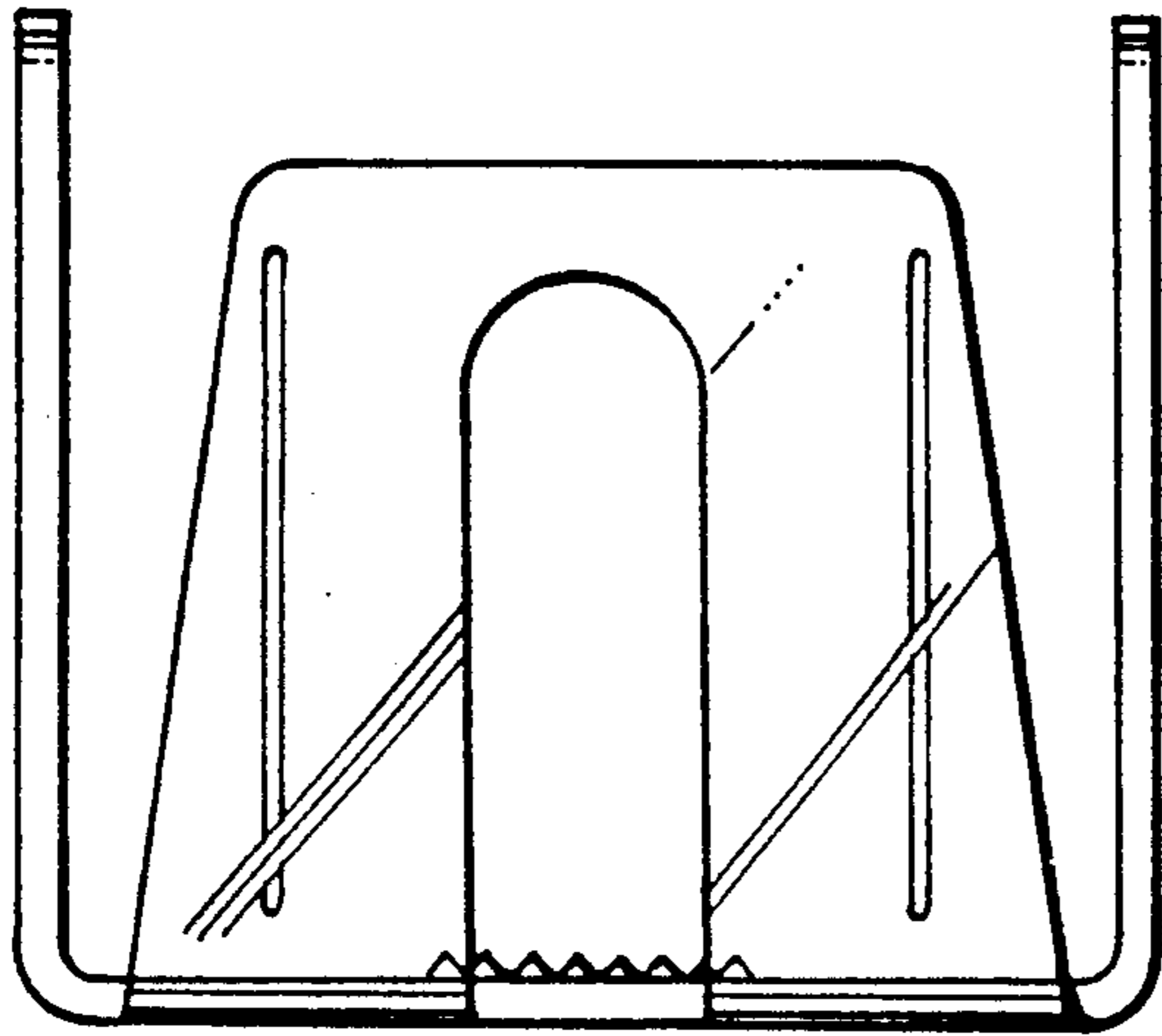


FIG. 5

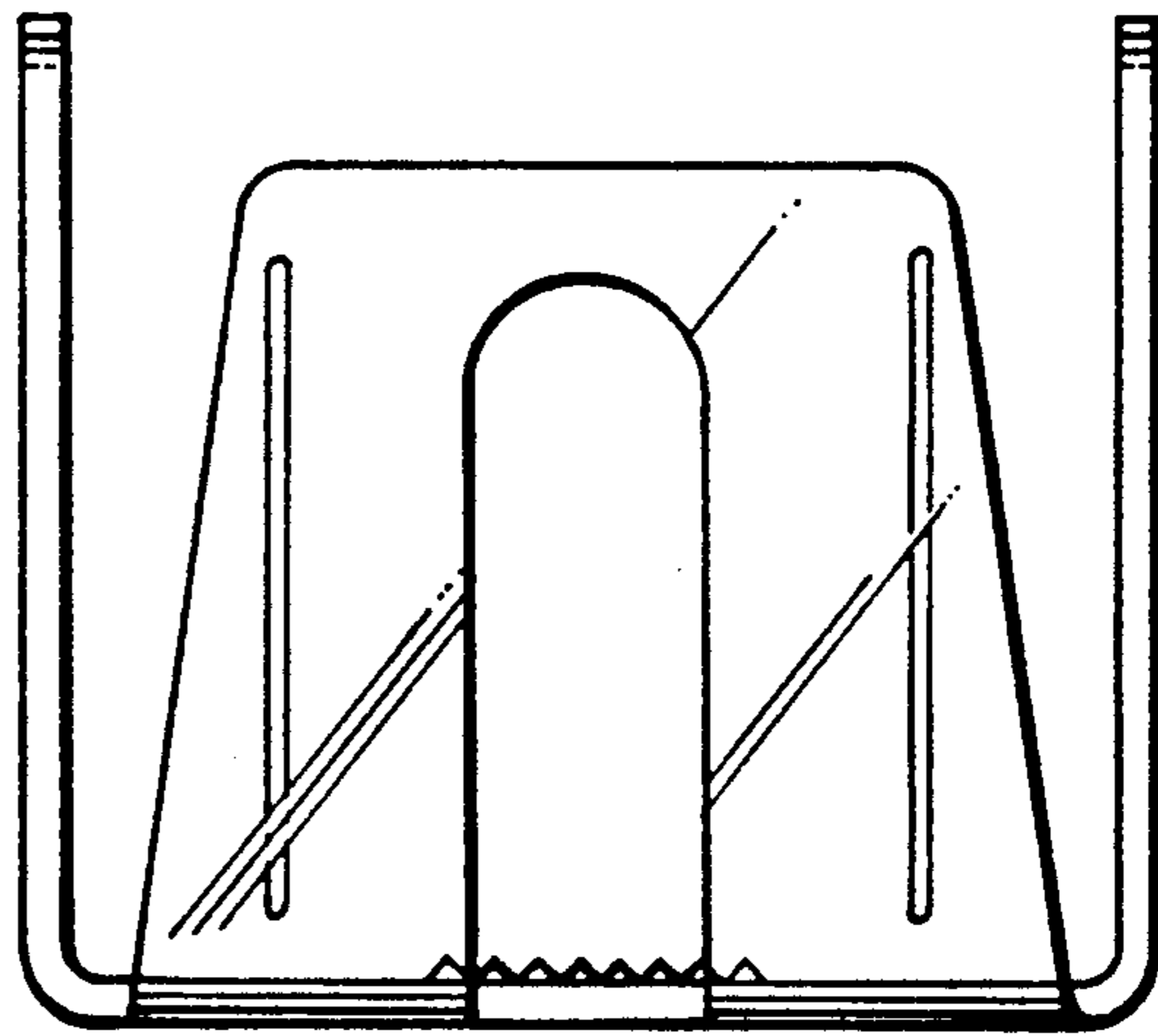


FIG. 6