

[54] MULTIPLE SLICE PIZZA CUTTER

2,807,221 9/1957 Gallop D7/672 X

[76] Inventor: Jonathan T. Hall, 5016 Fairwood Blvd. NE., #214, Tacoma, Wash. 98422

Primary Examiner—Bernard Ansher
Assistant Examiner—Terry A. Pfeffer
Attorney, Agent, or Firm—Jerry T. Kearns

[**] Term: 14 Years

[57] CLAIM

[21] Appl. No.: 355,378

The ornamental design for a multiple slice pizza cutter, as shown and described.

[22] Filed: May 23, 1989

[52] U.S. Cl. D7/673

DESCRIPTION

[58] Field of Search D7/672, 673; 30/302; 33/524, 525; 83/431

FIG. 1 is a front elevational view of a multiple slice pizza cutter showing my new design;
FIG. 2 is a rear elevational view thereof;
FIG. 3 is a left side elevational view thereof;
FIG. 4 is a right side elevational view thereof;
FIG. 5 is a top plan view thereof; and,
FIG. 6 is a bottom plan view thereof.

[56] References Cited

U.S. PATENT DOCUMENTS

890,390 6/1908 Zinn D7/672 X
2,434,566 1/1948 Hulsmann 33/525

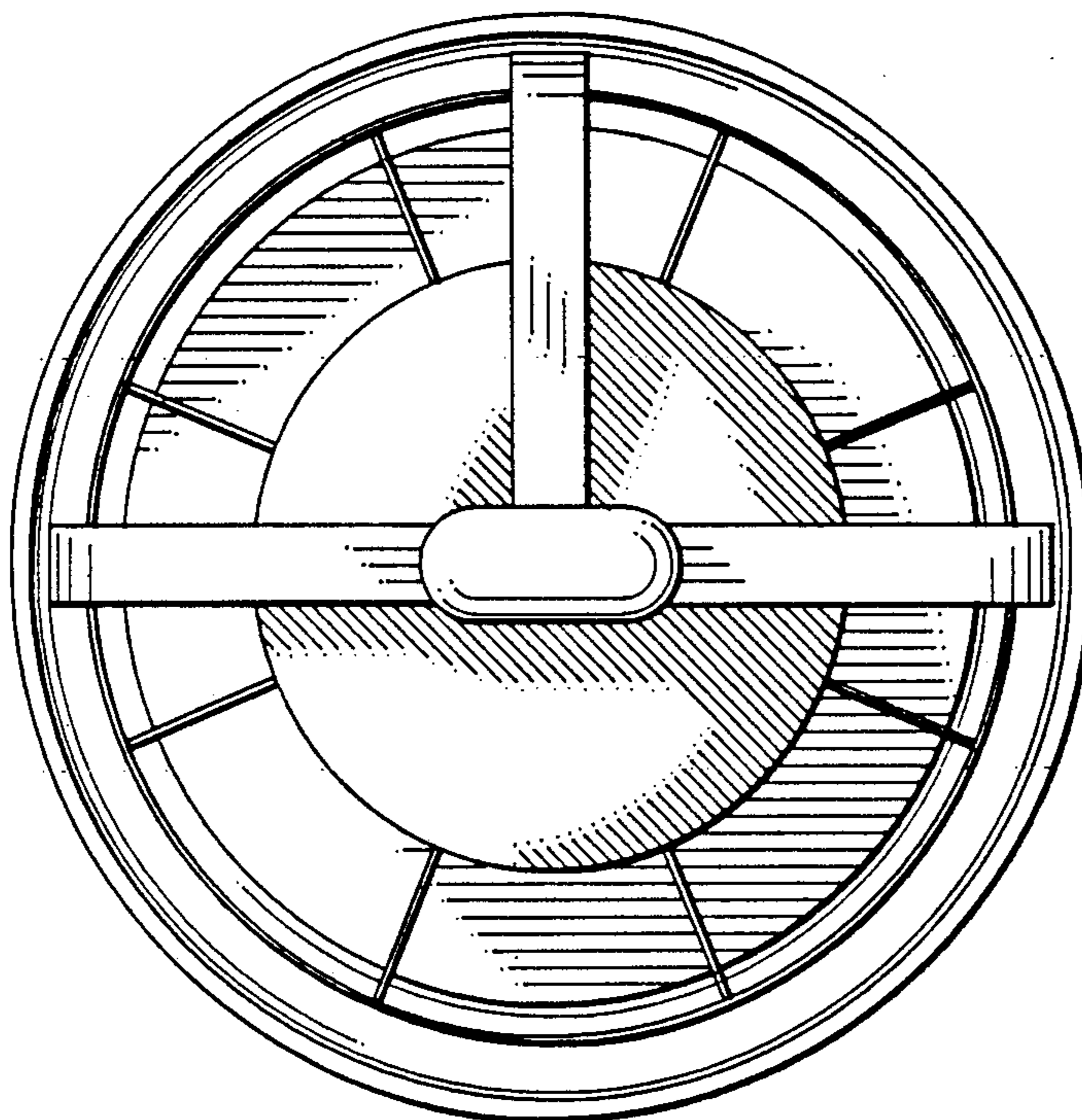
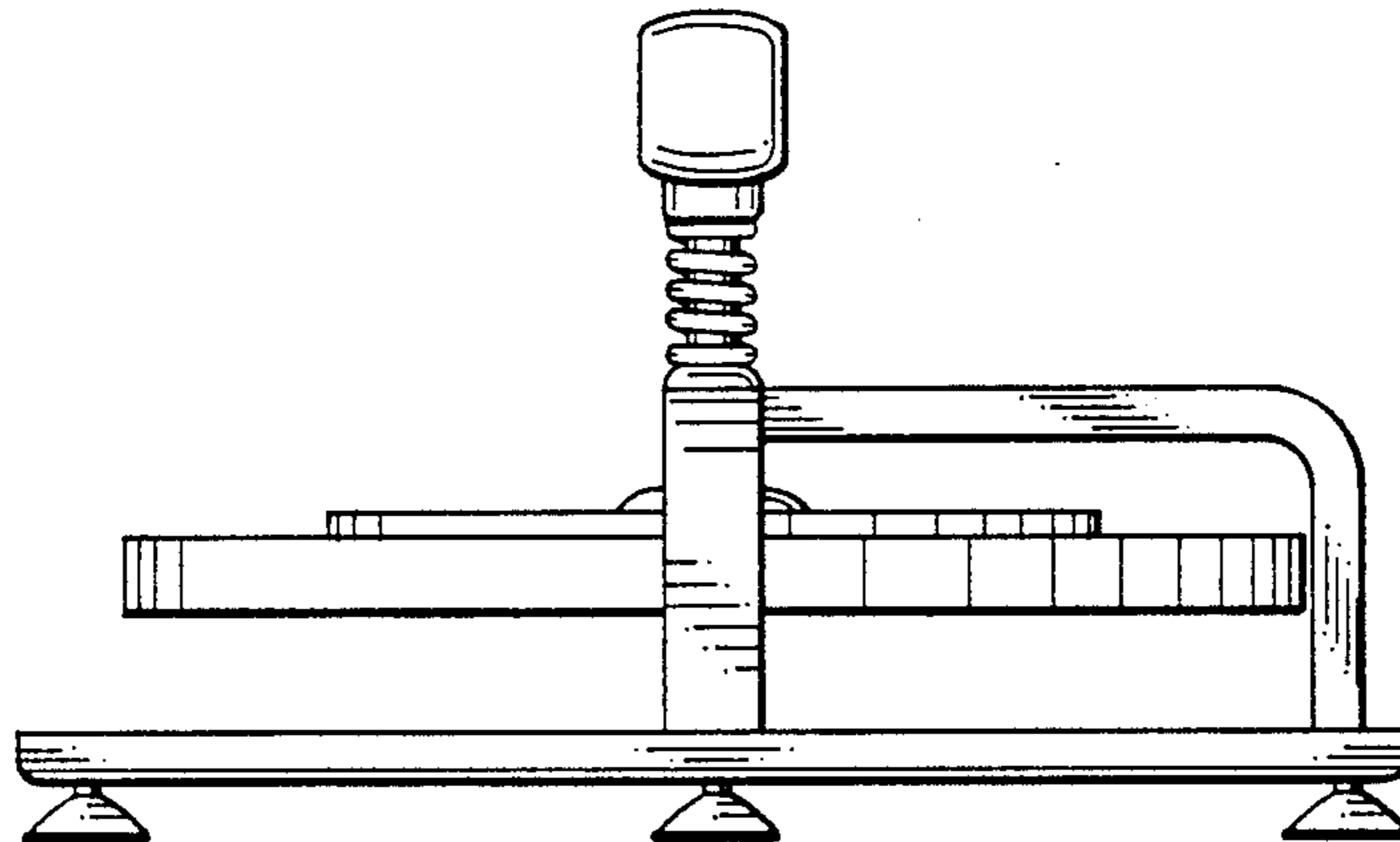


Fig. 1

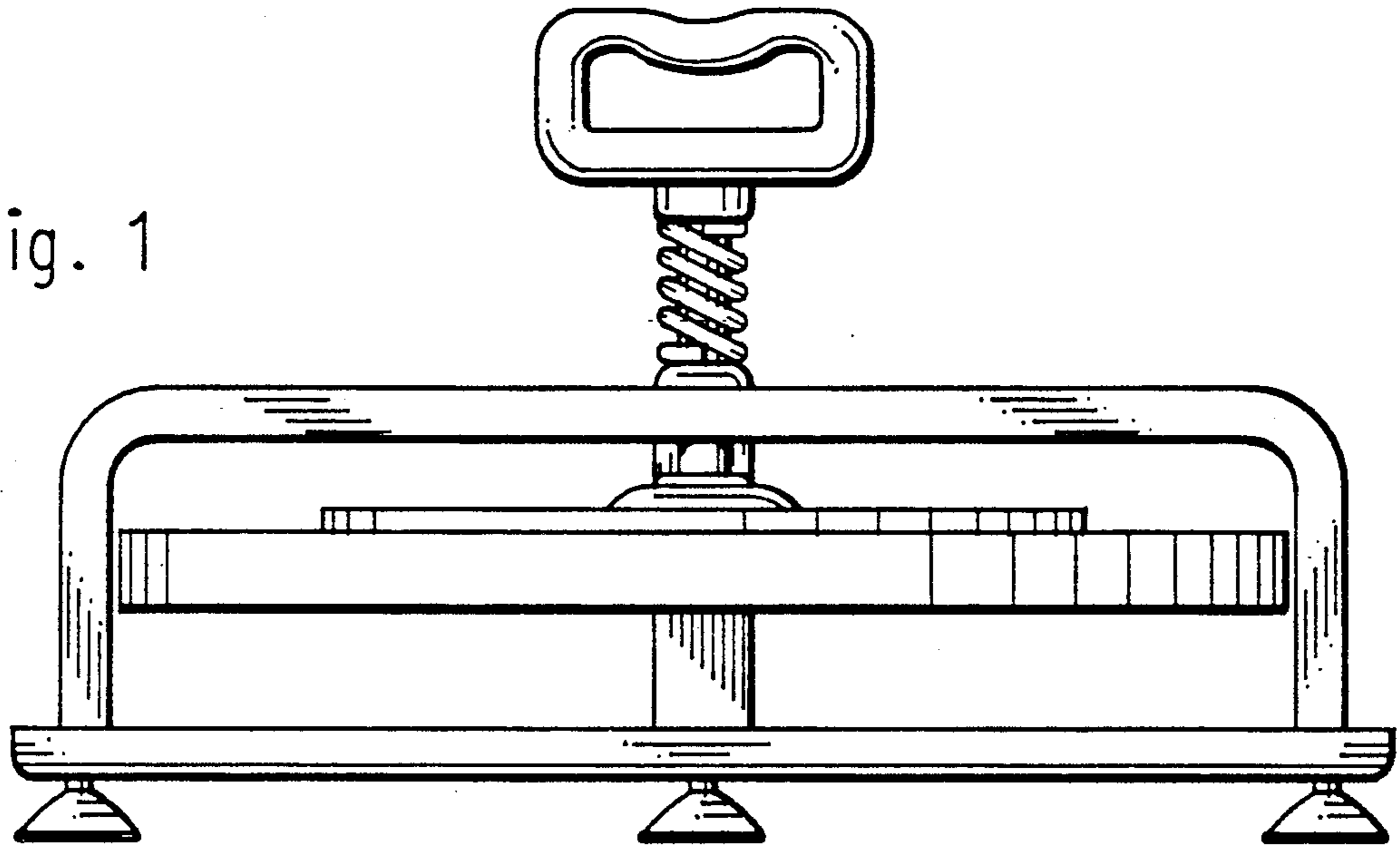


Fig. 2

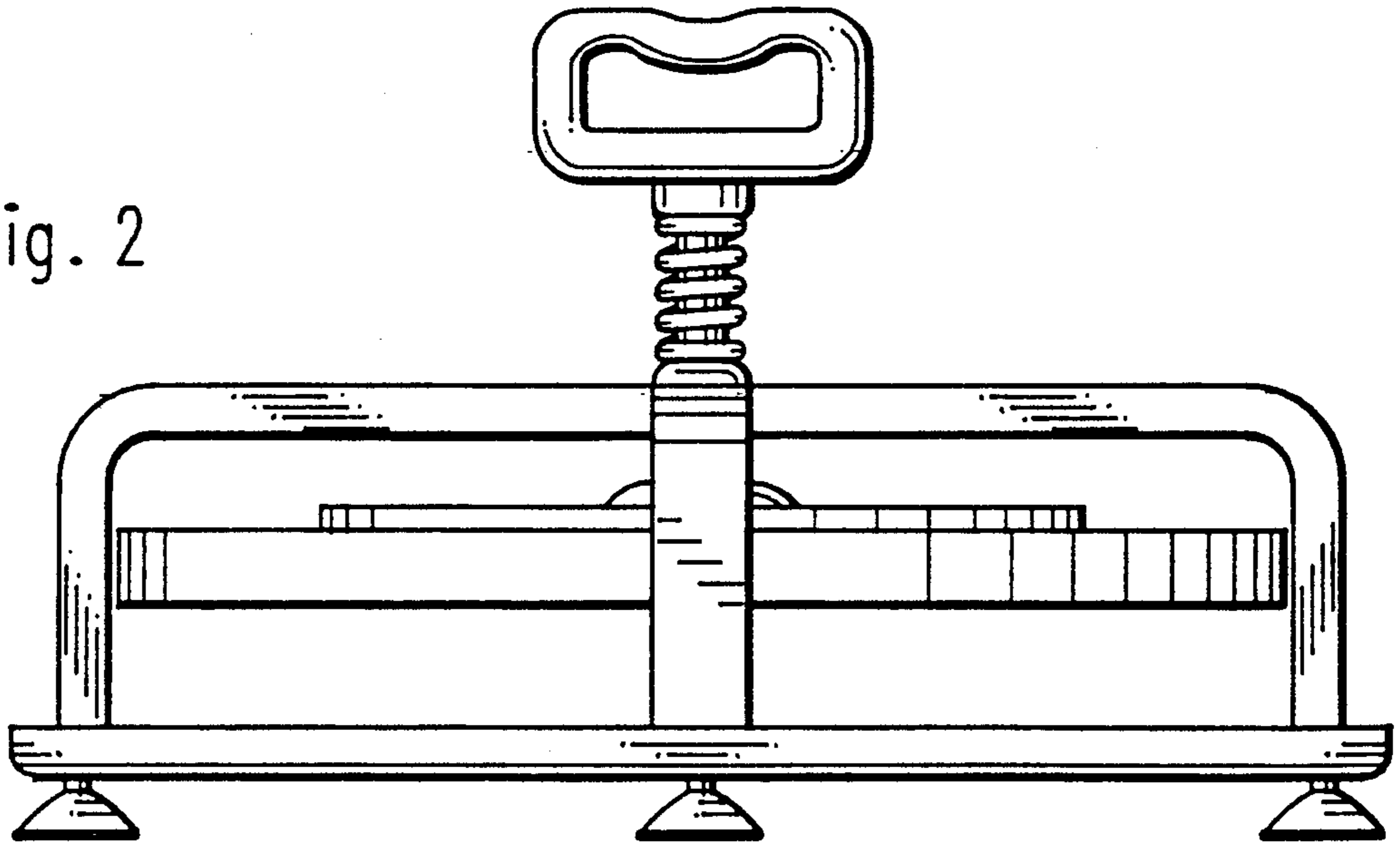


Fig. 3

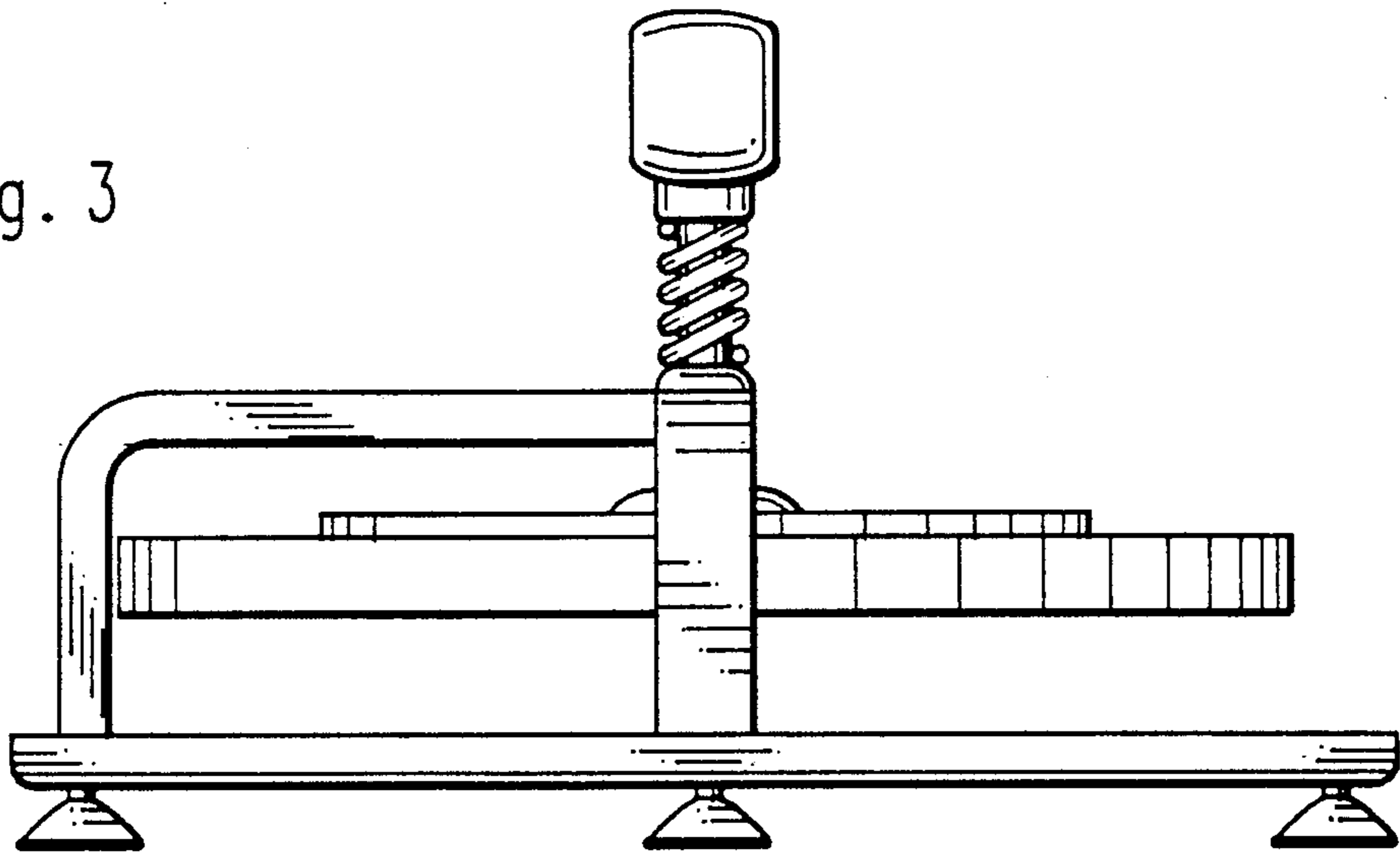
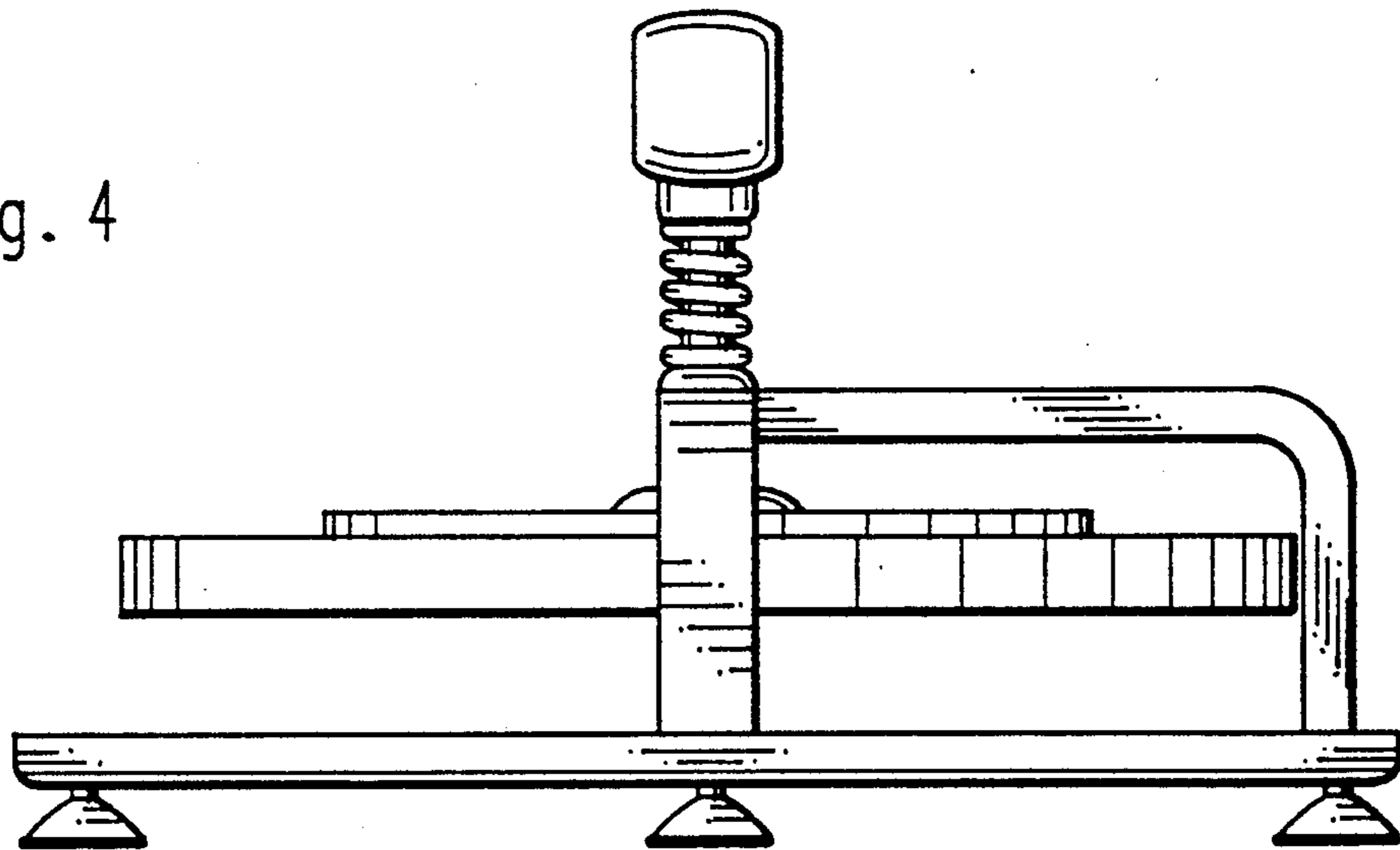


Fig. 4



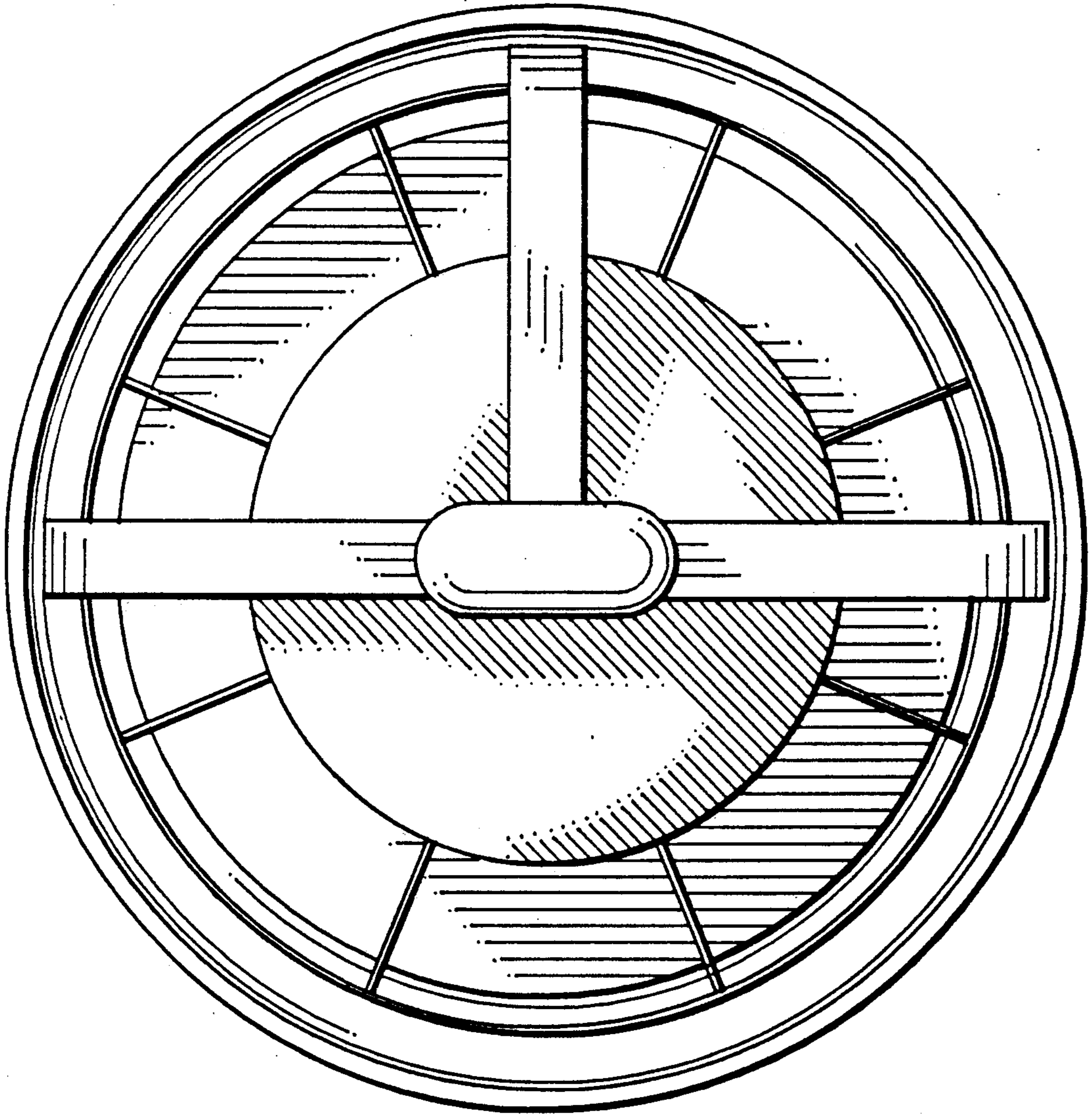


Fig. 5

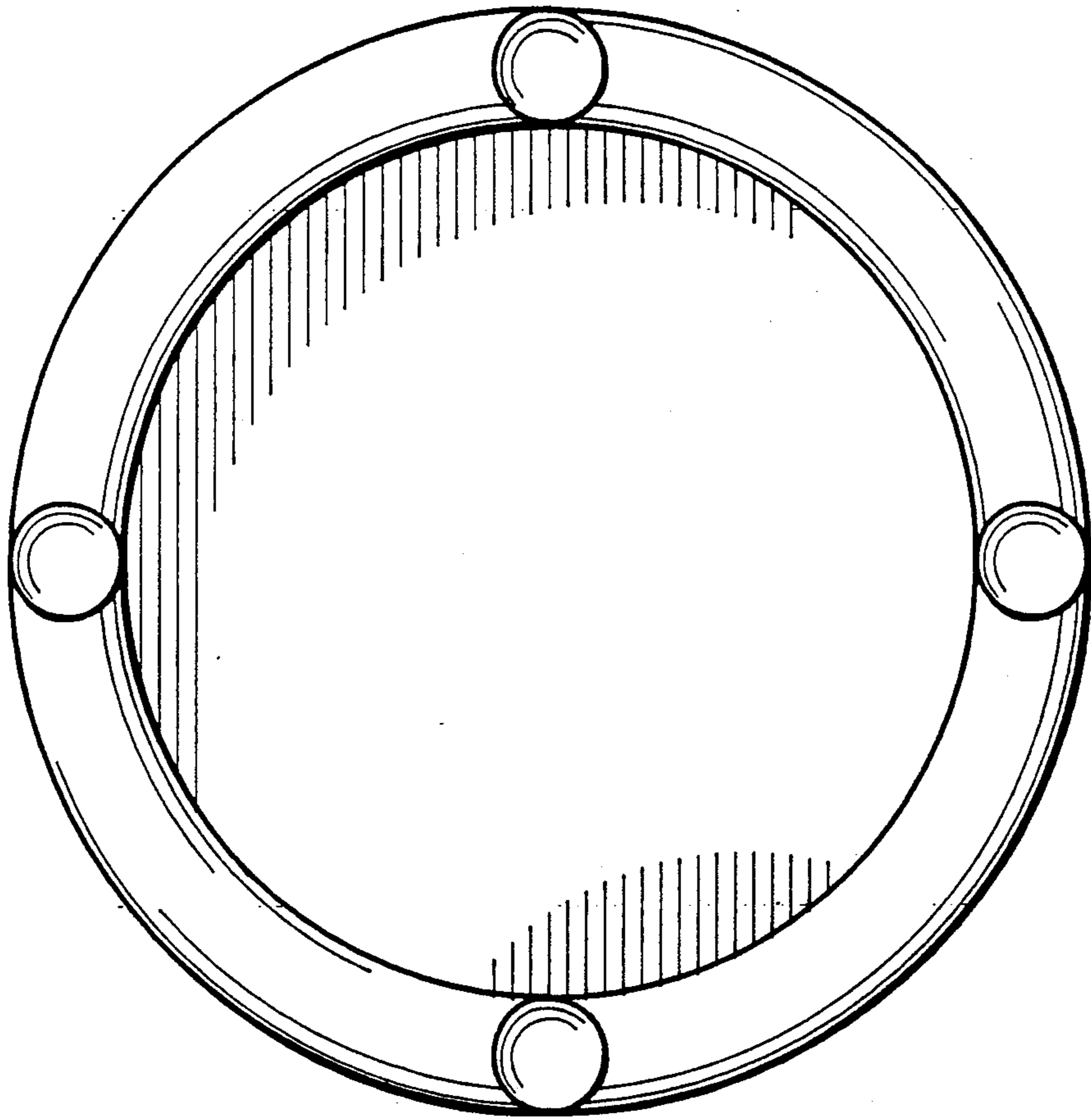


Fig. 6