

[54] INFANT'S DRINKING CUP
[75] Inventor: Murray Hunter, Balmain, Australia
[73] Assignee: Jackel International Pty. Ltd.,
Sefton, Australia

[**] Term: 14 Years
[21] Appl. No.: 908,524
[22] Filed: Sep. 17, 1986

[30] Foreign Application Priority Data
Mar. 17, 1986 [AU] Australia 4504/86
[52] U.S. Cl. D7/510; D7/511
[58] Field of Search D7/5-10,
D7/312, 392, 40, 391, 17, 16, 316-318;
220/90.2, 90.4, 90.6, 94 A; 215/11.4

[56] References Cited
U.S. PATENT DOCUMENTS
D. 165,778 1/1952 Olsen D7/6
D. 171,544 2/1954 Jocelyn D7/393
D. 216,730 3/1970 Carslaw D7/10

D. 233,972 12/1974 Juhlin D7/10
D. 279,752 7/1985 Jagger D7/40 X
2,059,070 10/1936 Wershay 220/90.6
2,816,548 12/1957 Tupper 215/11.1
4,448,316 5/1984 Hiroshige 220/90.2 X

FOREIGN PATENT DOCUMENTS

2137184 2/1973 Fed. Rep. of Germany D7/10

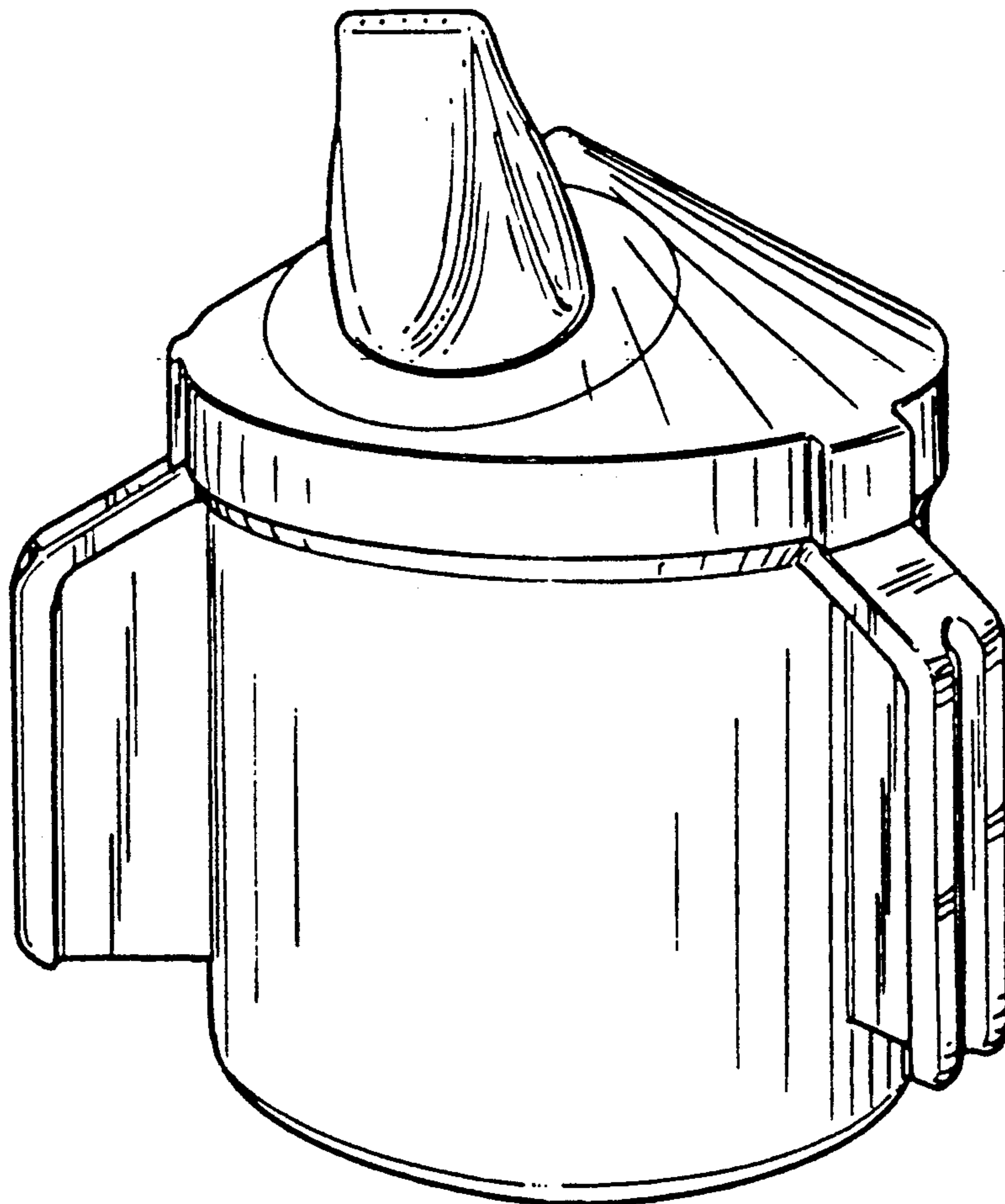
Primary Examiner—Winifred E. Herrmann
Attorney, Agent, or Firm—Cushman, Darby & Cushman

[57] CLAIM

The ornamental design for an infant's drinking cup, as shown.

DESCRIPTION

FIG. 1 is a front elevational view of an infant's drinking cup showing my new design;
FIG. 2 is a rear elevational view thereof;
FIG. 3 is a side elevational view thereof;
FIG. 4 is a bottom plan view thereof;
FIG. 5 is a perspective view thereof and
FIG. 6 is a top plan view thereof.



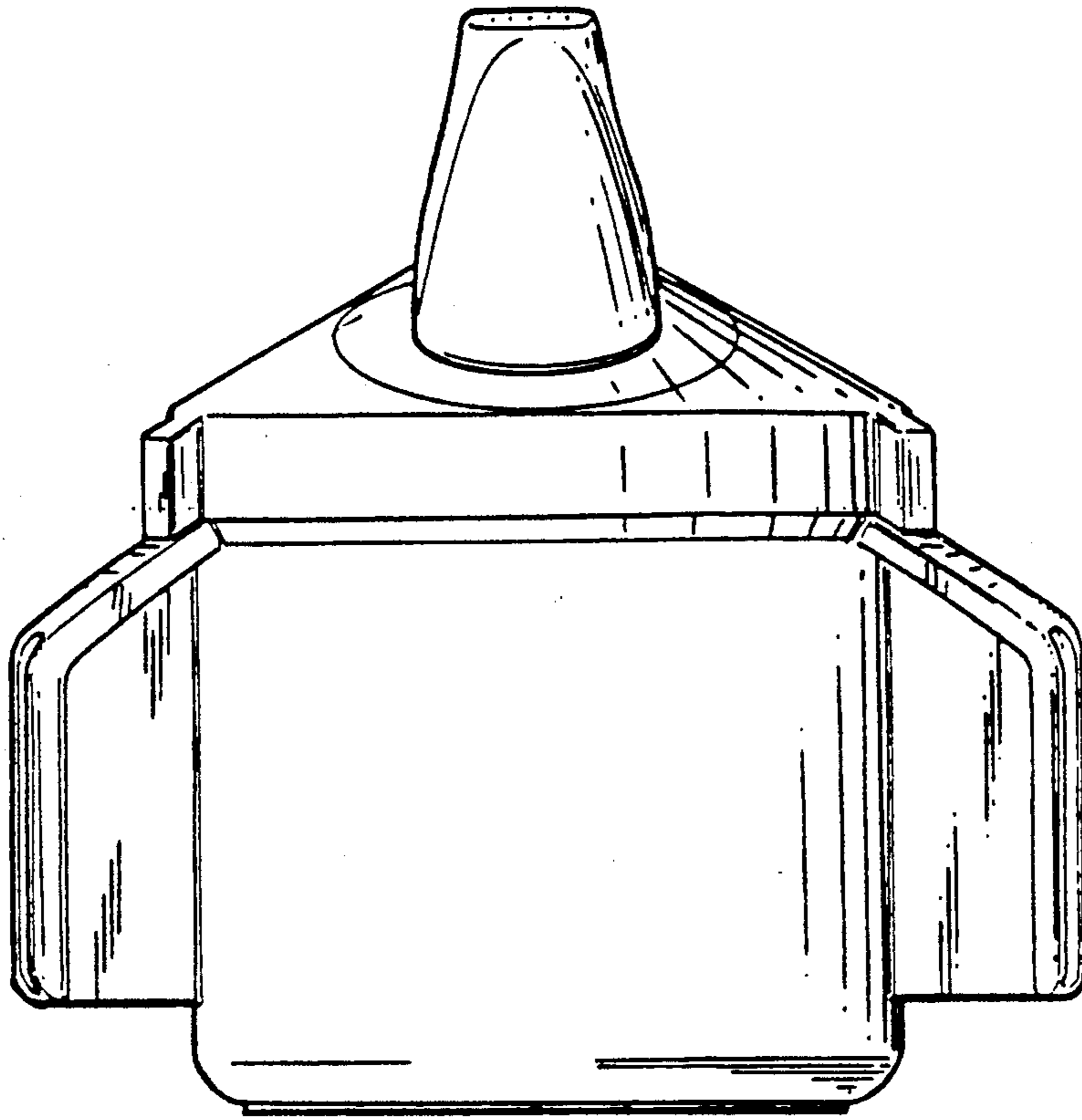


FIG. 1

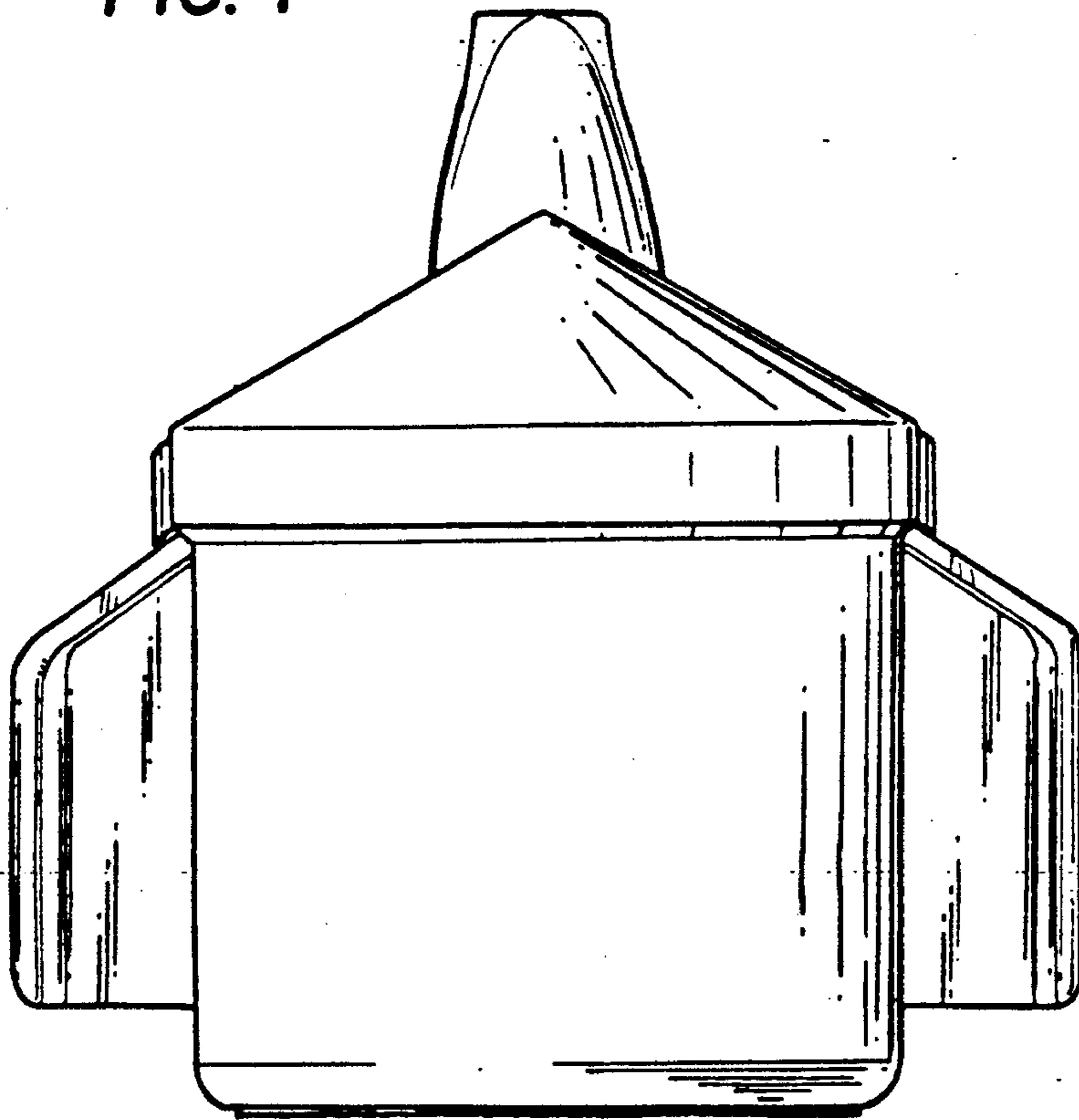


FIG. 2

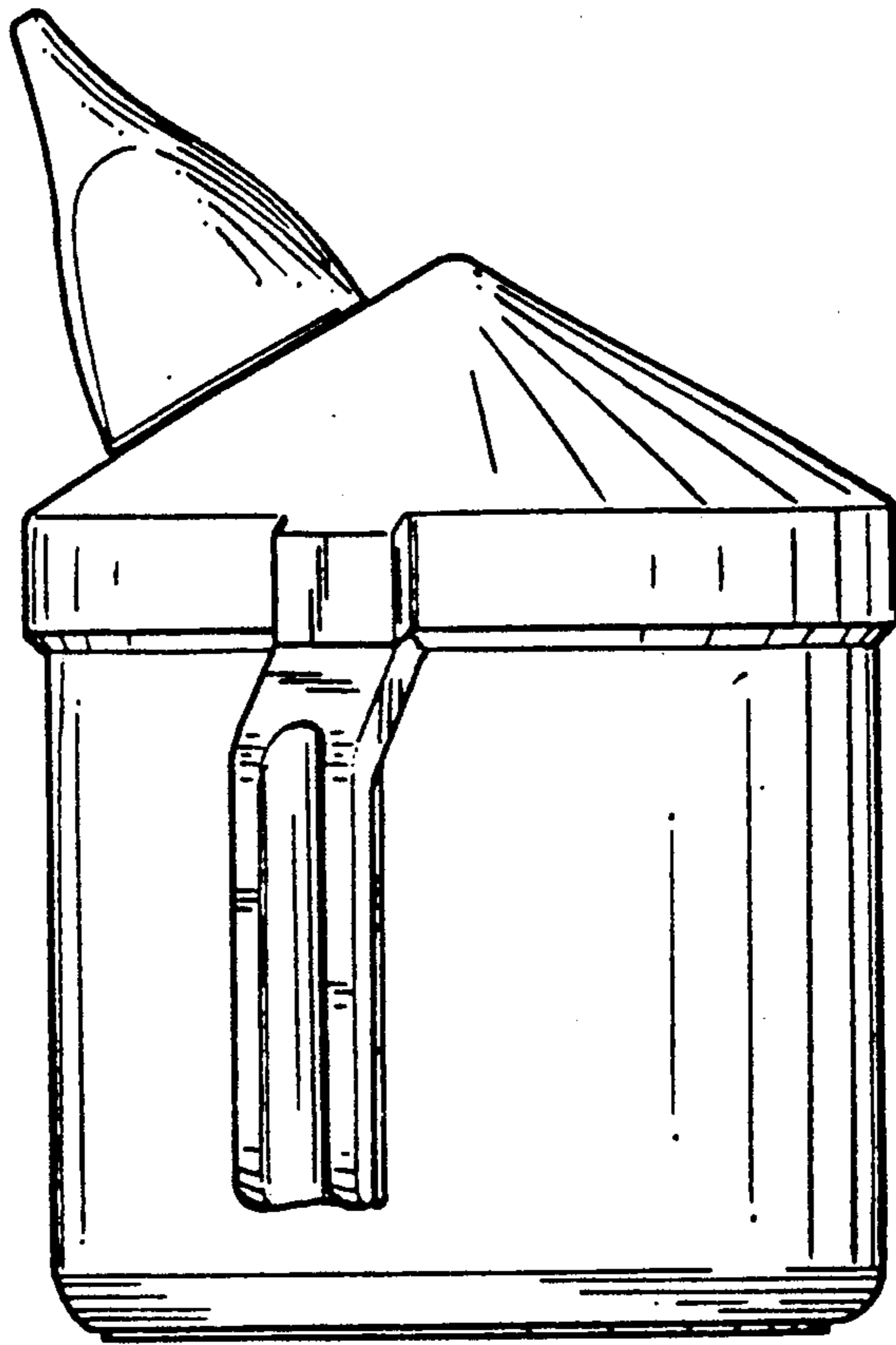


FIG. 3

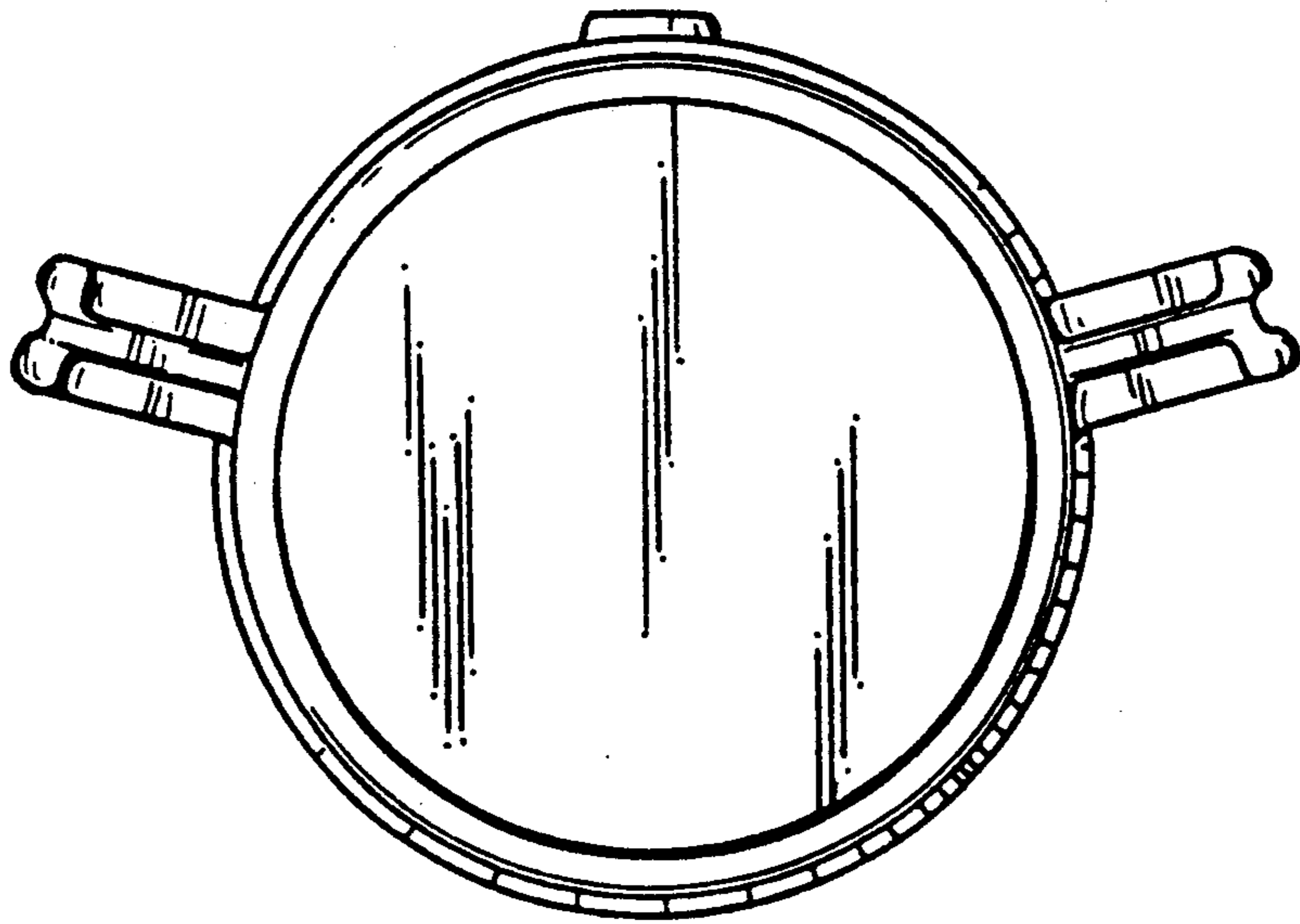


FIG. 4

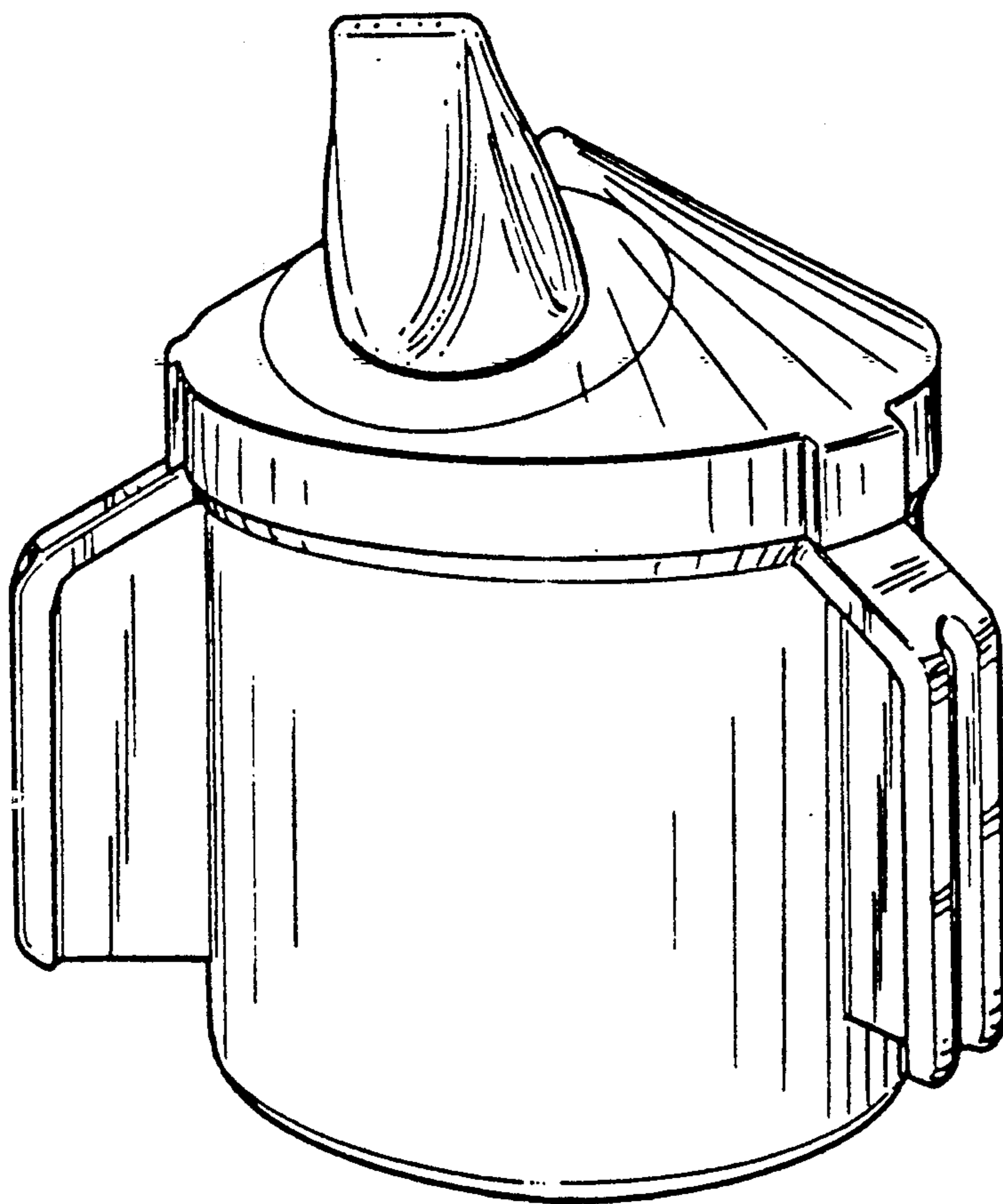


FIG. 5

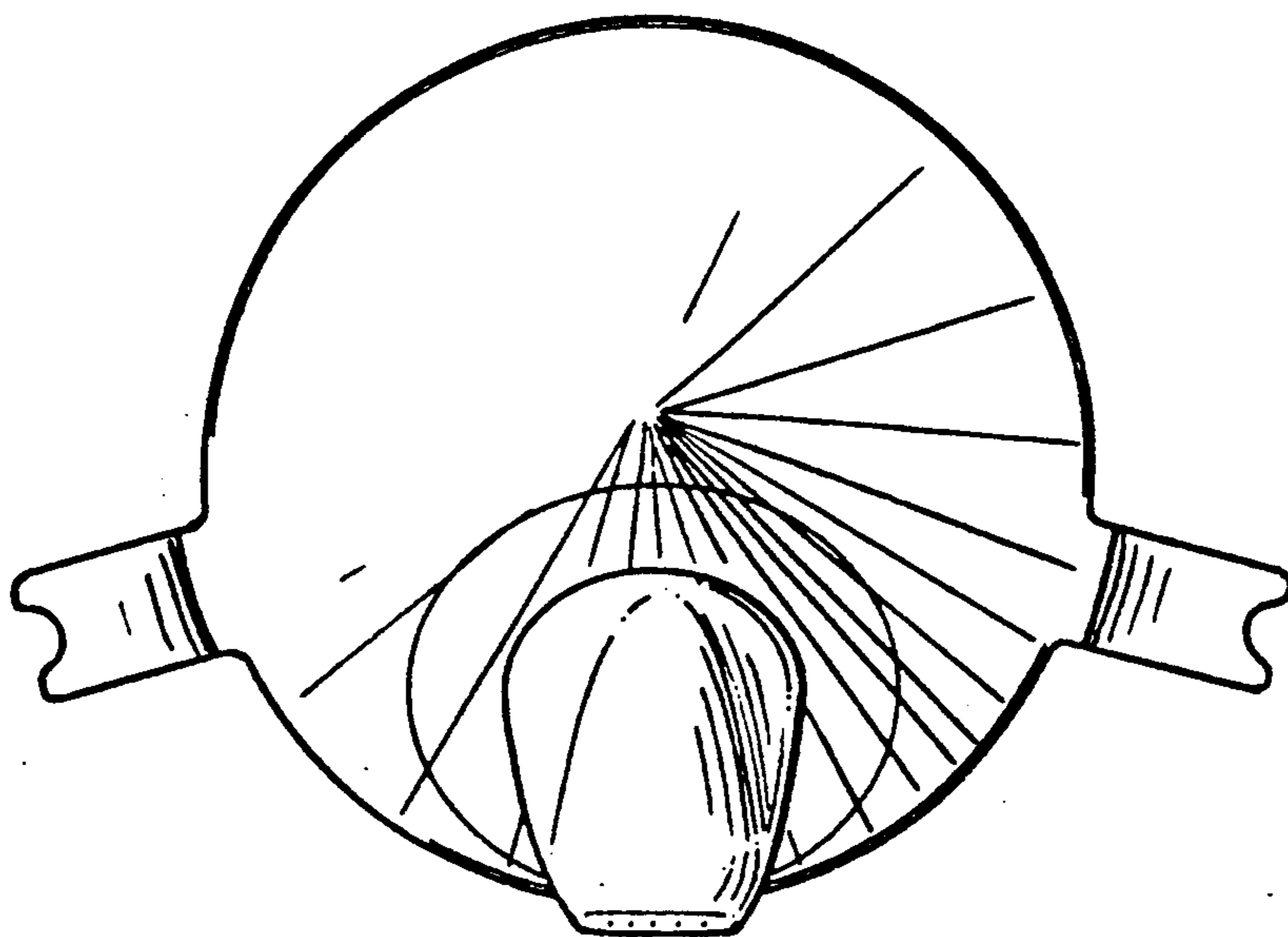


FIG. 6