

[54] AUTOMOBILE REAR SEAT ORGANIZER

[76] Inventor: James A. Swanner, 4 Sheridan, Irvine, Calif. 92720

[**] Term: 14 Years

[21] Appl. No.: 369,917

[22] Filed: Jun. 22, 1989

[52] U.S. Cl. D6/611; D3/40

[58] Field of Search D6/595-596, D6/610-611, 512; D3/40; 224/42.46 R, 275; 297/218-219

[56] References Cited

U.S. PATENT DOCUMENTS

D. 170,932	11/1953	Marston	D6/611
D. 213,364	2/1969	Blalock	D6/611
D. 293,162	12/1987	Carmichael	D3/40
D. 306,520	3/1990	McCarthy	D3/40
D. 312,349	11/1990	Pogue	D3/40

2,979,098	4/1961	Greaves	224/275
4,512,504	4/1985	Omlette	224/42.46 R

Primary Examiner—Wallace R. Burke
Assistant Examiner—Brian N. Vinson
Attorney, Agent, or Firm—Grant L. Hubbard

[57] CLAIM

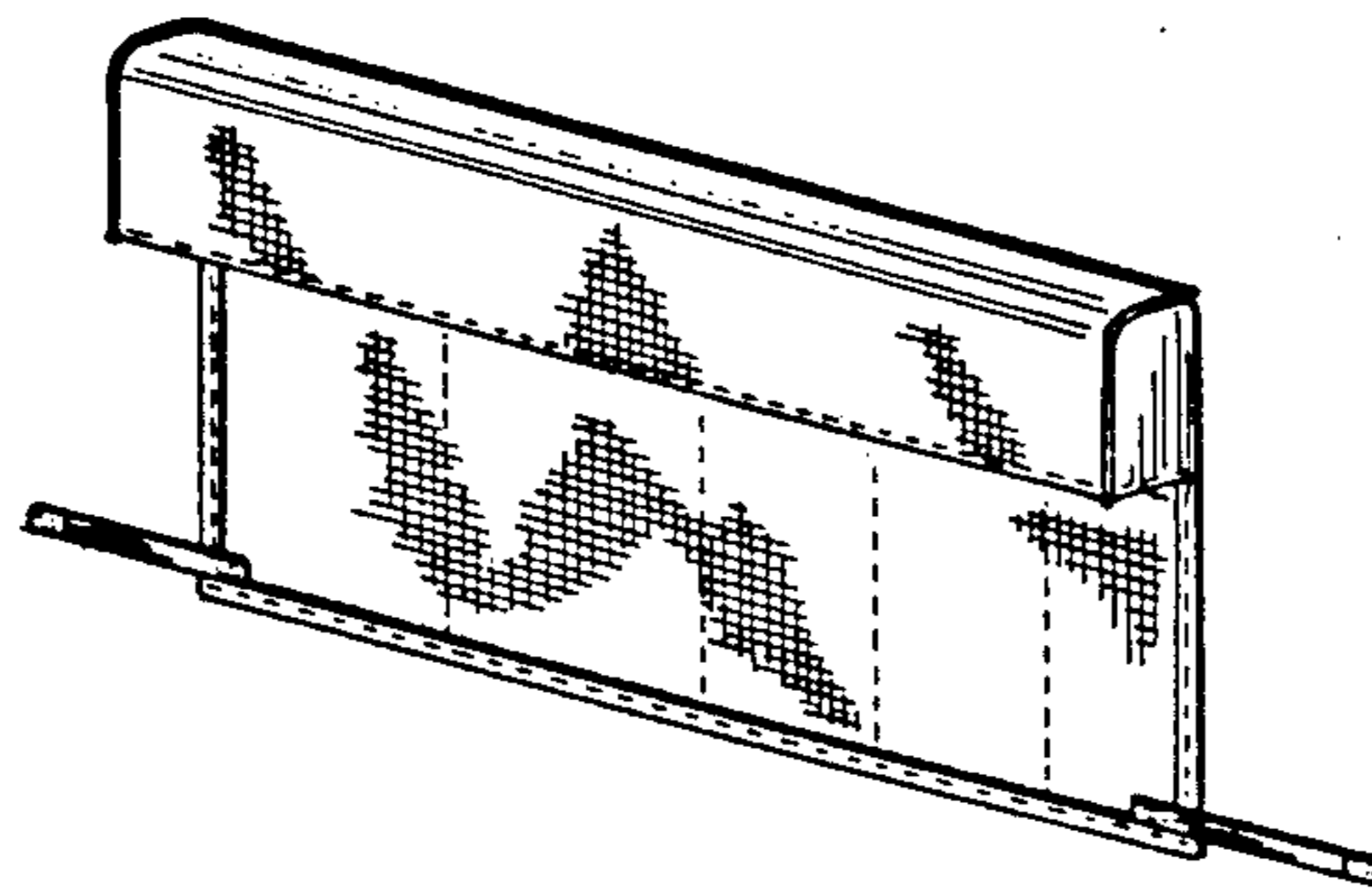
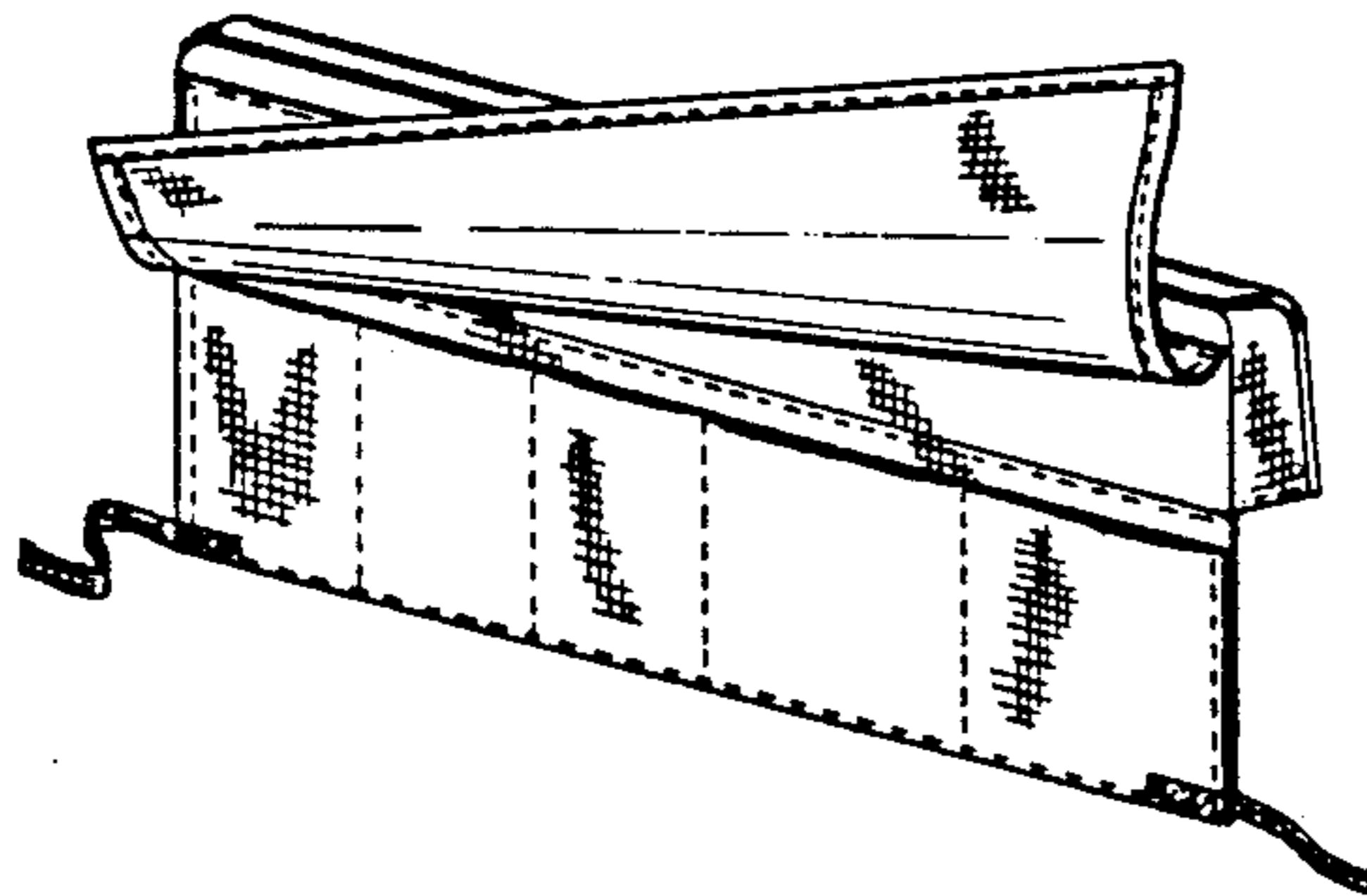
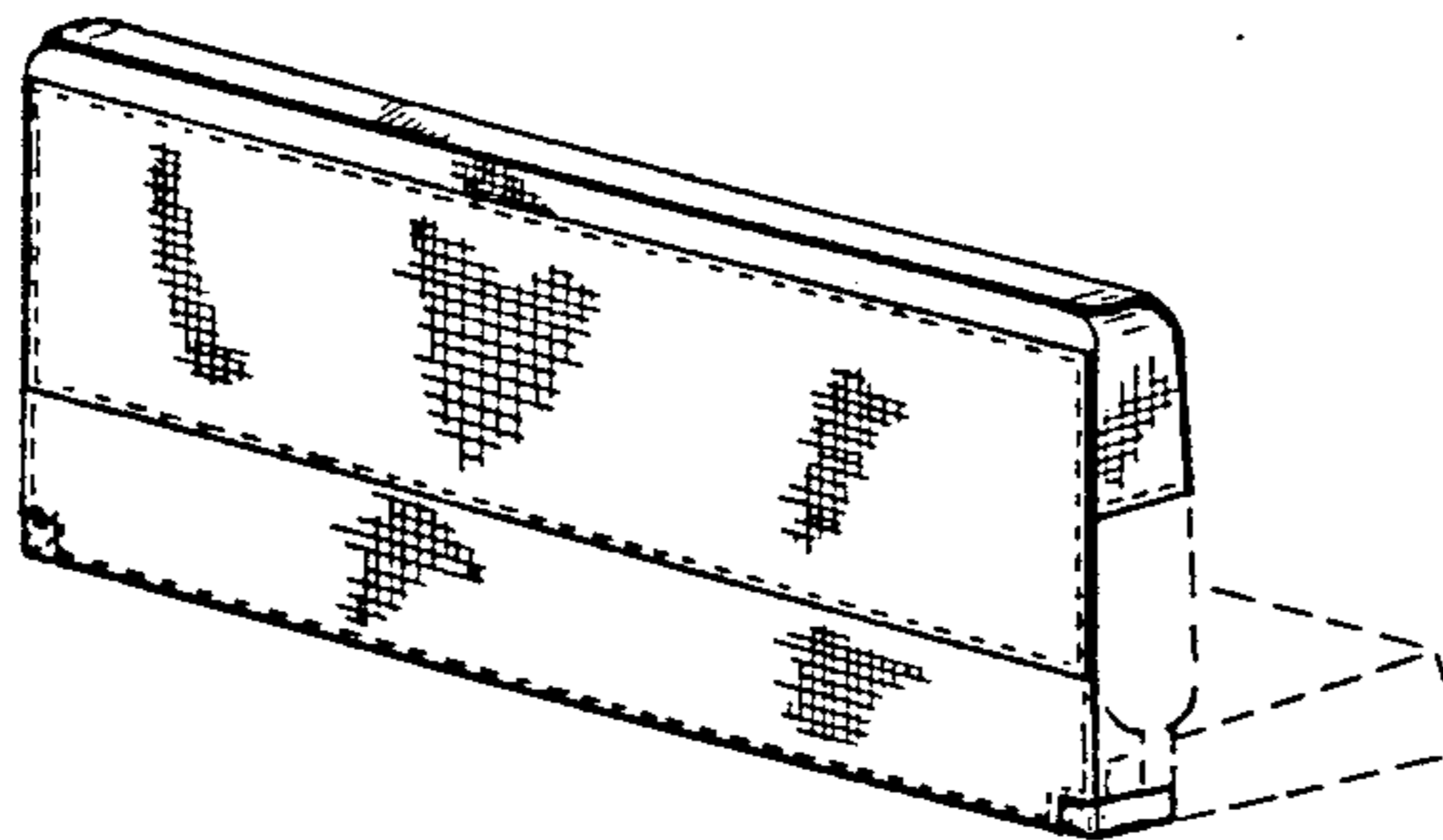
The ornamental design for an automobile rear seat organizer, as shown and described.

DESCRIPTION

FIG. 1 is a top, rear, and left side perspective view of an automobile rear seat organizer showing my new design, the broken-line depiction of an automobile seat being for illustrative purposes only and forming no part of the claimed design;

FIG. 2 is a top, rear, and left side perspective view thereof, with the flap portion shown raised; and

FIG. 3 is a top, front, and right side perspective view thereof.



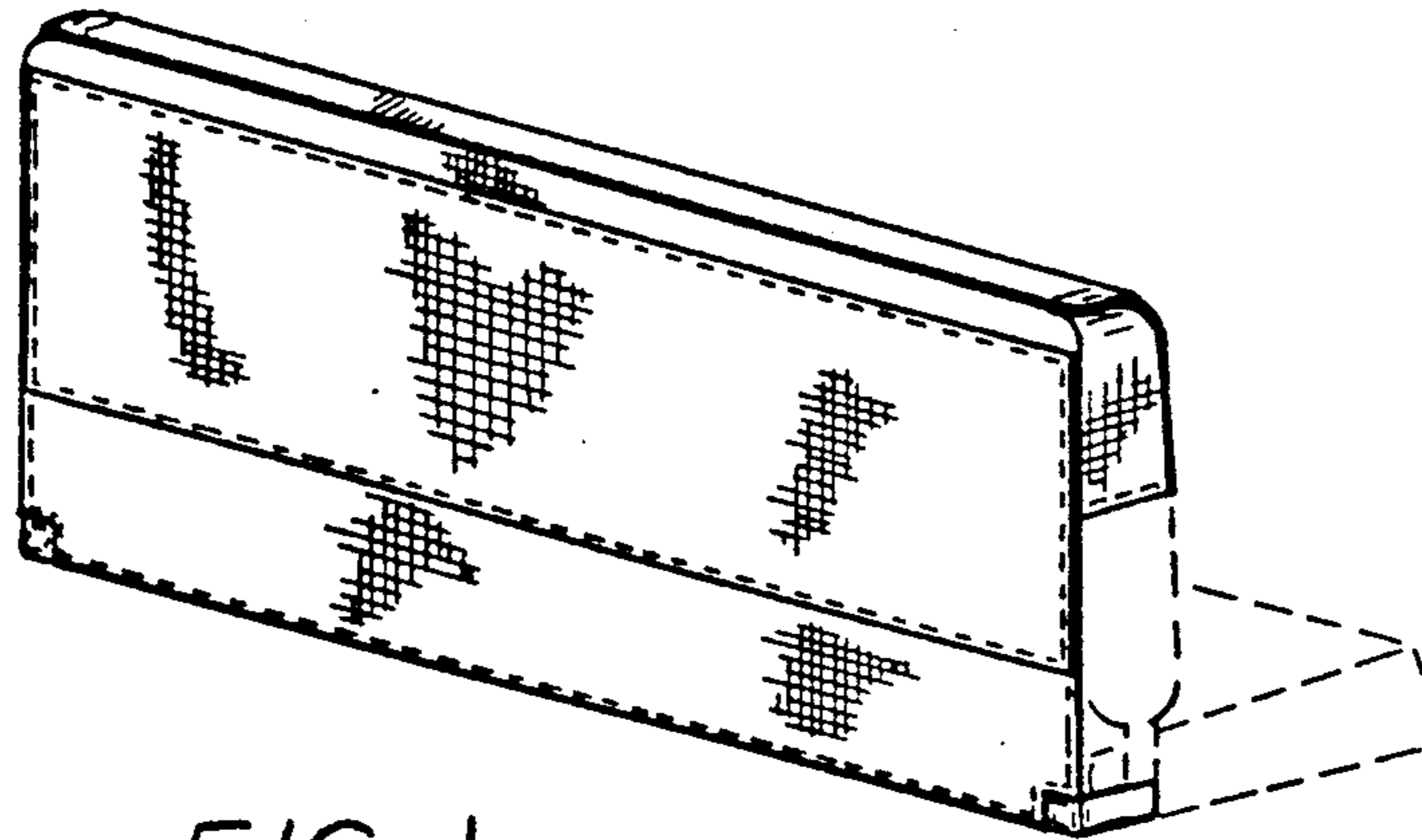


FIG. 1

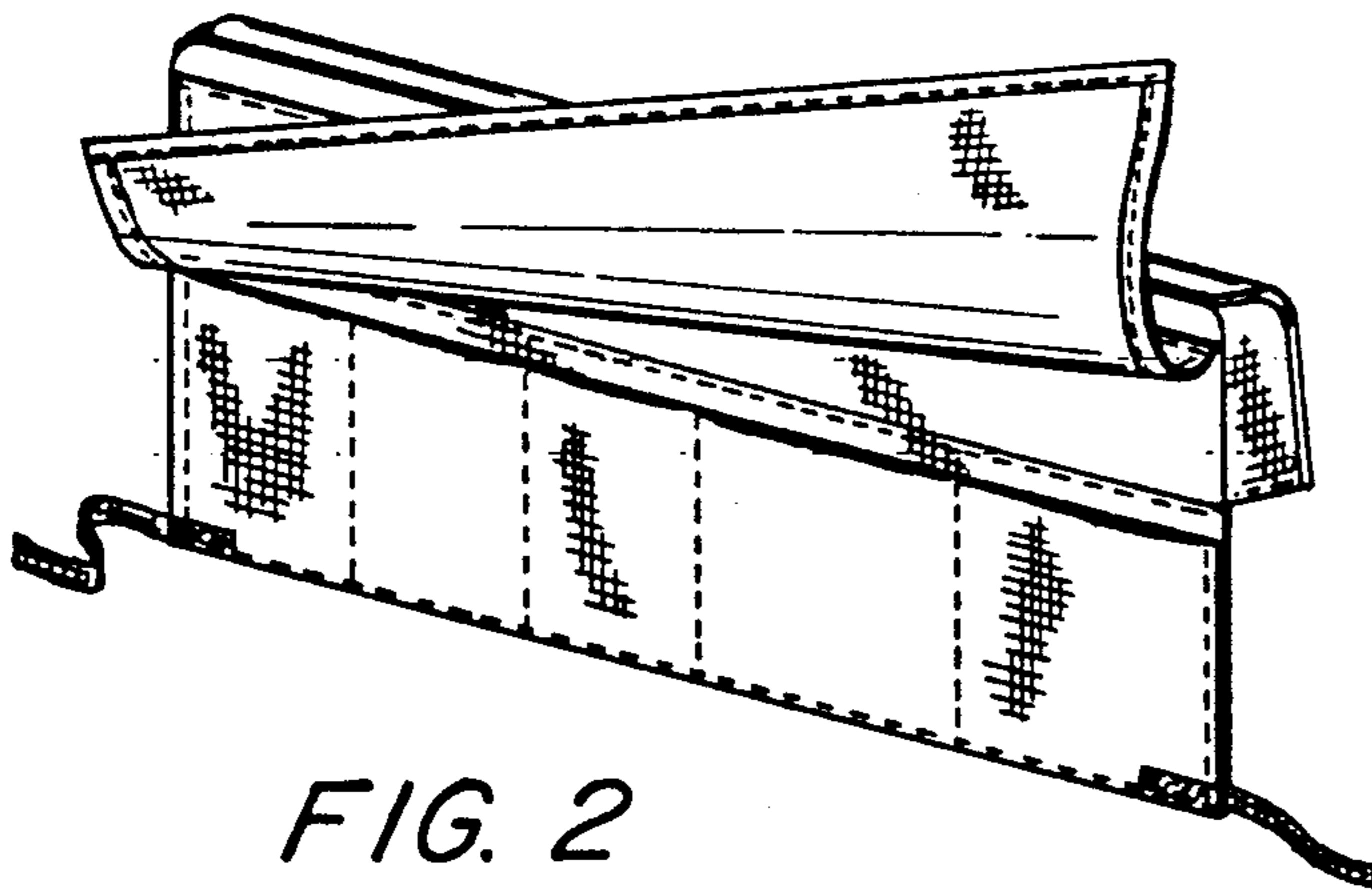


FIG. 2

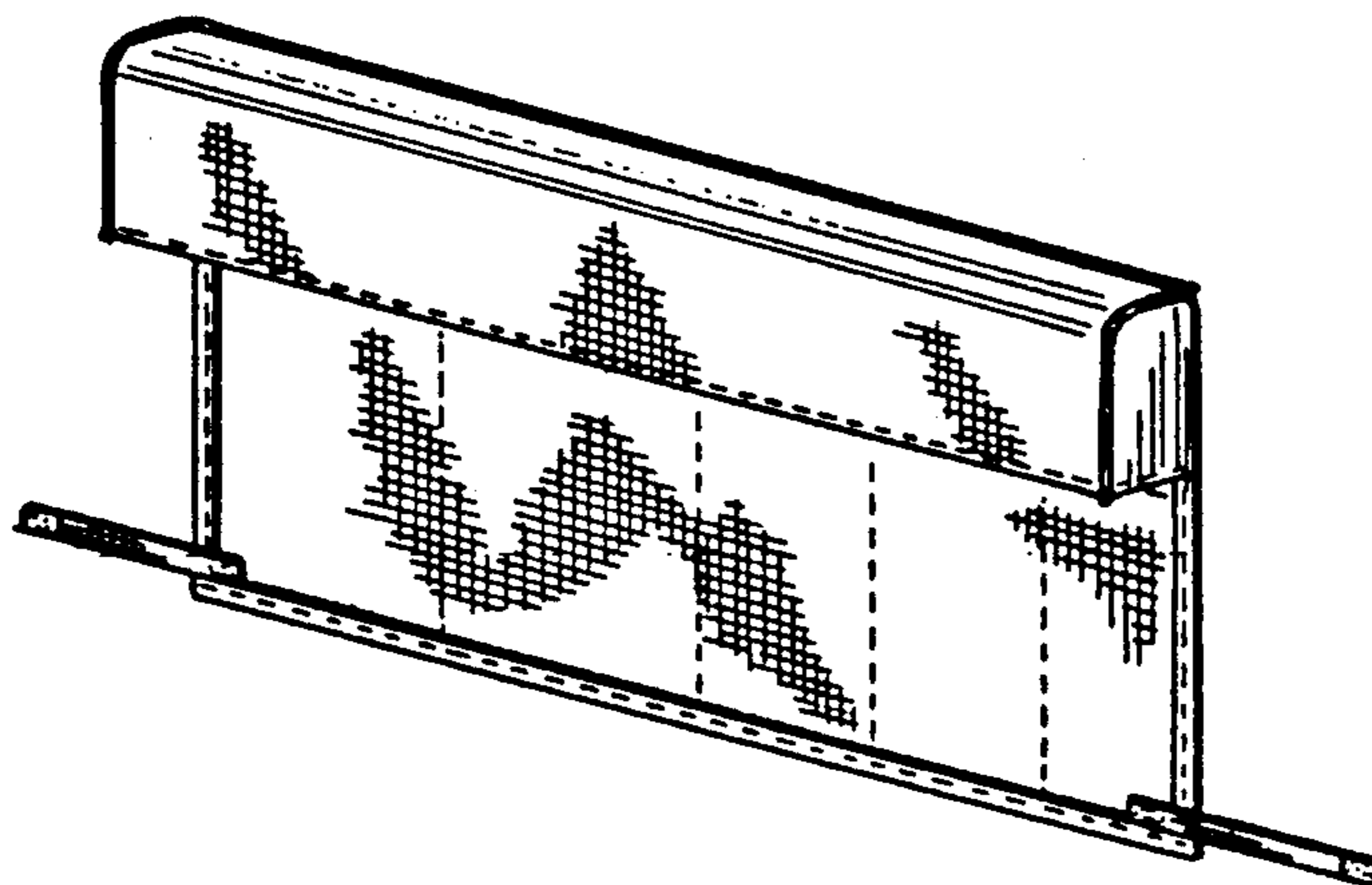


FIG. 3