

United States Patent [19]
Magor

[11] **Patent Number: Des. 316,620**
[45] **Date of Patent: ** Apr. 30, 1991**

[54] **BOOT SCRAPER**

[76] **Inventor: Richard F. Magor, 3455 Grand Valley Canal Rd., Clifton, Colo. 81520**

[**] **Term: 14 Years**

[21] **Appl. No.: 316,676**

[22] **Filed: Feb. 28, 1989**

[52] **U.S. Cl. D32/47; D21/230**

[58] **Field of Search D4/116, 118; D8/90; D21/230; D32/35, 40, 43, 46-49; 15/236.01-236.09, 237, 245; 30/169, 171-172**

[56] **References Cited**

U.S. PATENT DOCUMENTS

| | | | | |
|------------|---------|--------------|-------|----------|
| D. 200,869 | 4/1965 | Florio | | D32/43 |
| D. 216,276 | 12/1969 | Smith et al. | | D32/40 |
| D. 247,415 | 3/1978 | Harper | | D32/47 |
| D. 266,574 | 10/1982 | Krive | | D21/230 |
| D. 287,093 | 12/1986 | Ryan | | D32/46 X |

| | | | | |
|-----------|---------|--------------|-------|----------|
| 2,525,174 | 10/1950 | Johnstone | | D32/47 X |
| 3,929,345 | 12/1975 | Nasby et al. | | 280/813 |
| 4,000,909 | 1/1977 | Coale | | 15/237 X |

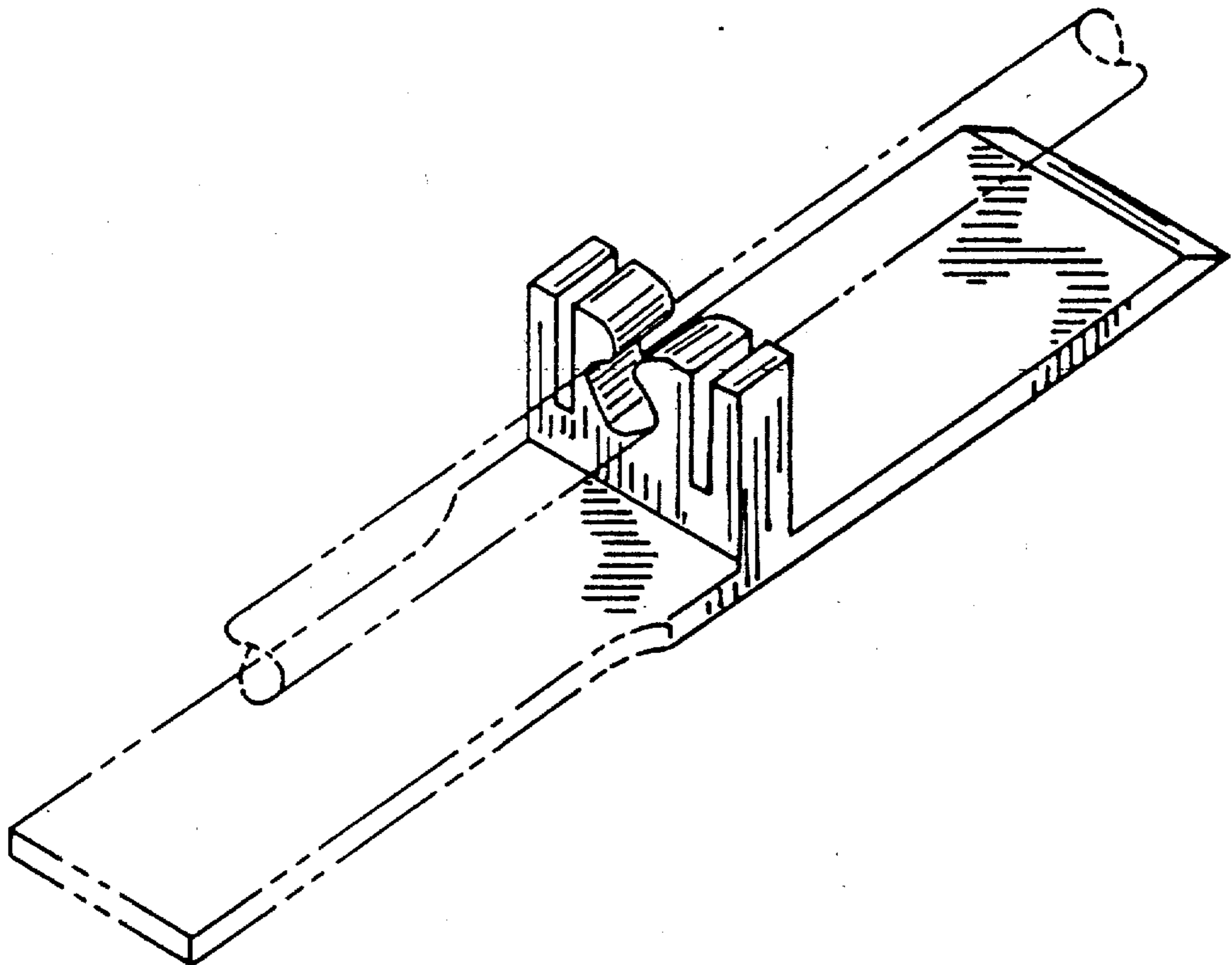
Primary Examiner—Susan J. Lucas
Assistant Examiner—Lavone D. Tabor
Attorney, Agent, or Firm—Donald W. Erickson

[57] **CLAIM**

The ornamental design for a boot scraper, as shown and described.

DESCRIPTION

FIG. 1 is a perspective view of a boot scraper showing my new design;
FIG. 2 is an end elevational view thereof;
FIG. 3 is a top plan view thereof;
FIG. 4 is a side elevational view thereof; and
FIG. 5 is a bottom plan view thereof.
The broken lines shown in FIGS. 1, 3, 4 and 5 are for illustrative purposes only and form no part of the claimed design.



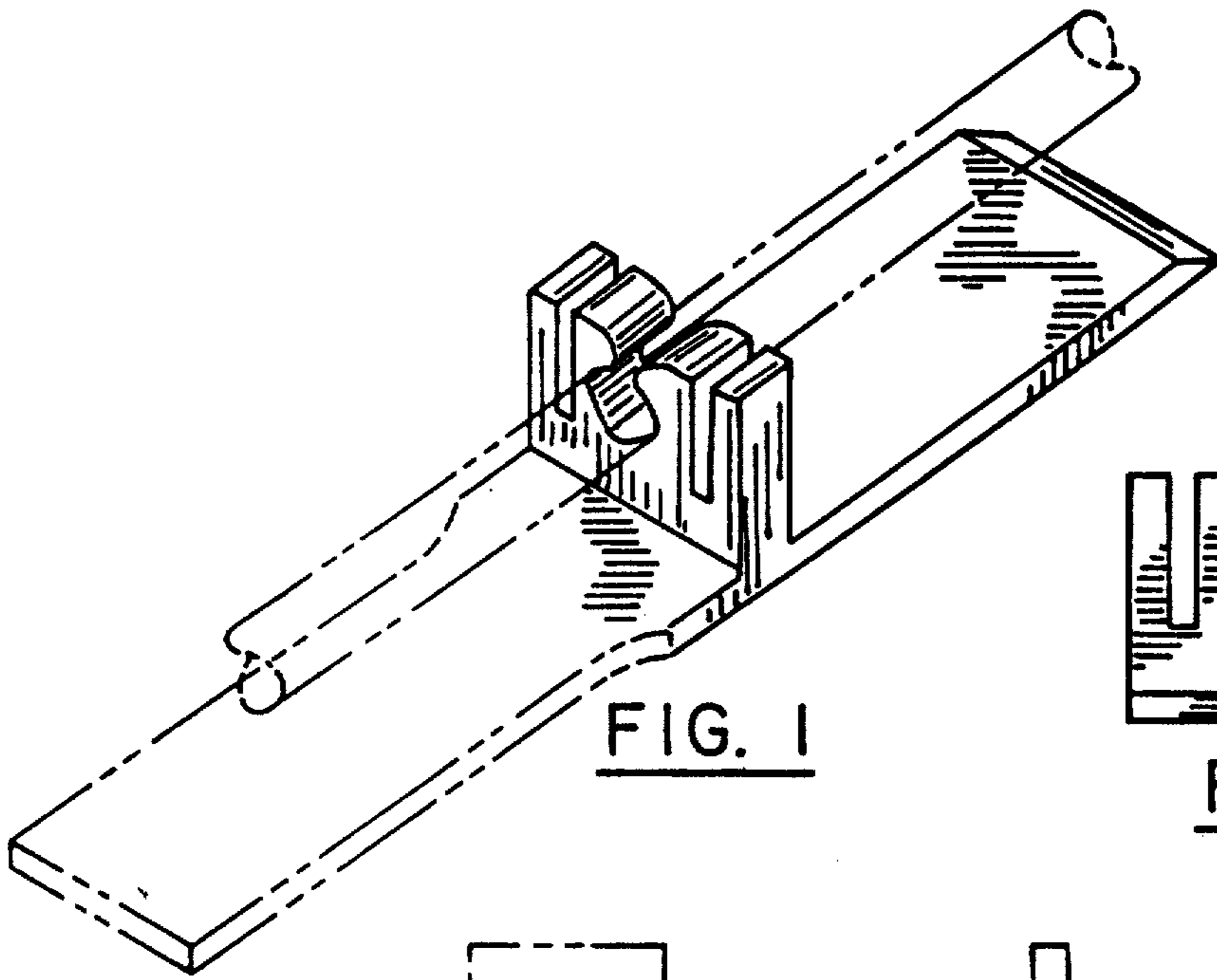


FIG. 1

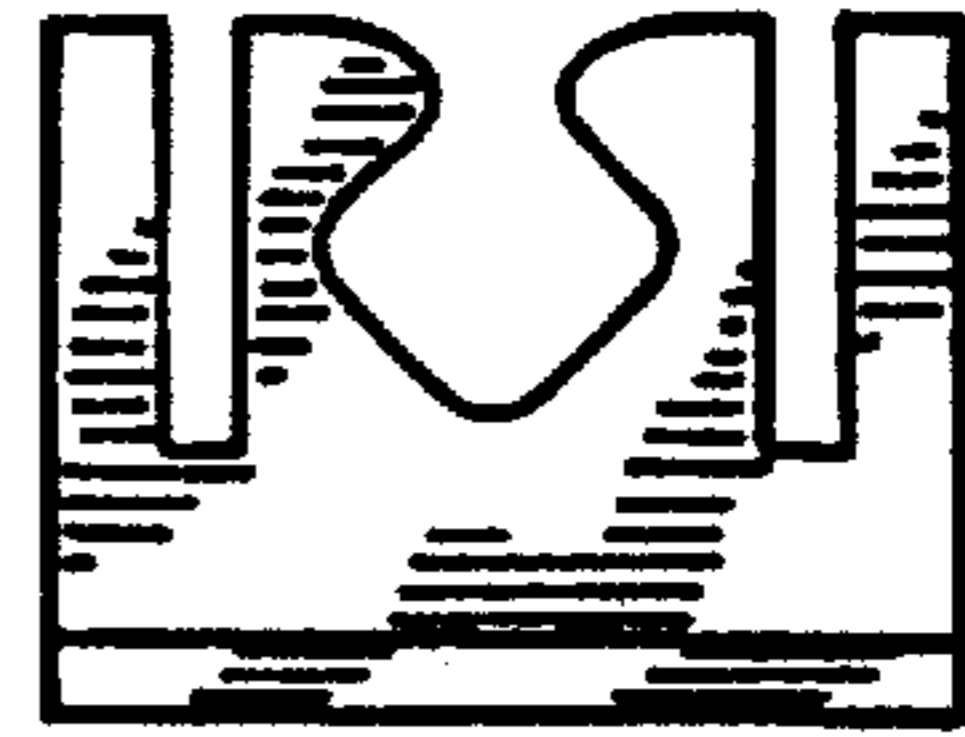


FIG. 2

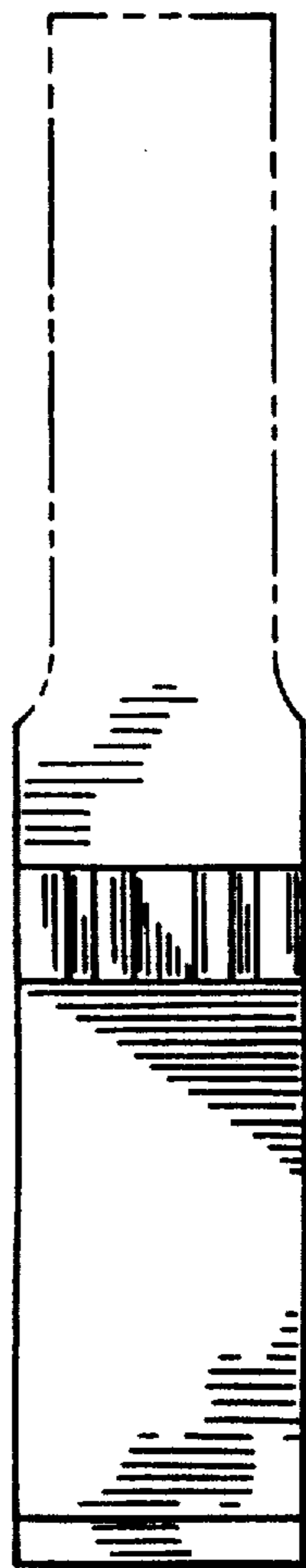


FIG. 3

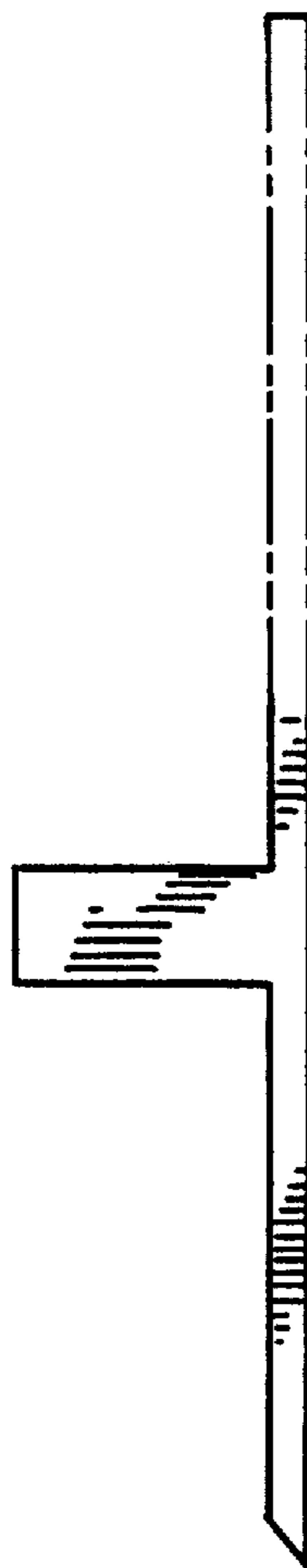


FIG. 4

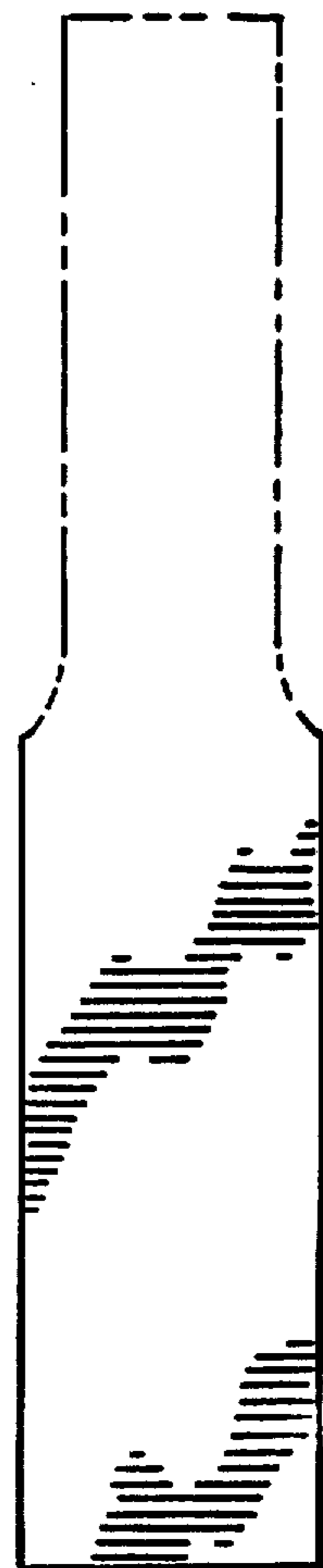


FIG. 5