

[54] LIGHT FIXTURE LENS

4,464,707 8/1984 Forrest 362/432 X

[76] Inventor: Frank Stein, 1600 Parker Ave., Fort Lee, N.J. 07024

OTHER PUBLICATIONS

Lighting, 6-1961, p. 45, "STARGLOW" Fluorescent Lighting Fixture.

[**] Term: 14 Years

Primary Examiner—Susan J. Lucas
Attorney, Agent, or Firm—Leydig, Voit & Mayer

[21] Appl. No.: 177,777

[22] Filed: Apr. 5, 1988

[52] U.S. Cl. D26/122

[57] CLAIM

[58] Field of Search D26/118, 120, 121, 122, D26/123, 124, 128, 72, 80-92, 75-78; 362/217, 219, 220, 222, 223, 225, 326-340, 362, 363, 404-408, 431, 432, 147; D25/119

The ornamental design for light fixture lens, as shown and described.

DESCRIPTION

[56] References Cited

FIG. 1 is a front perspective view of a light fixture lens showing my new design;
FIG. 2 is a side elevational view thereof, the opposite side being a mirror image;
FIG. 3 is a bottom plan view thereof;
FIG. 4 is a top plan view thereof.

U.S. PATENT DOCUMENTS

D. 201,986	8/1965	Wince	D26/122
D. 207,596	5/1967	Wince	D26/122
4,053,762	10/1977	Barbson	362/223

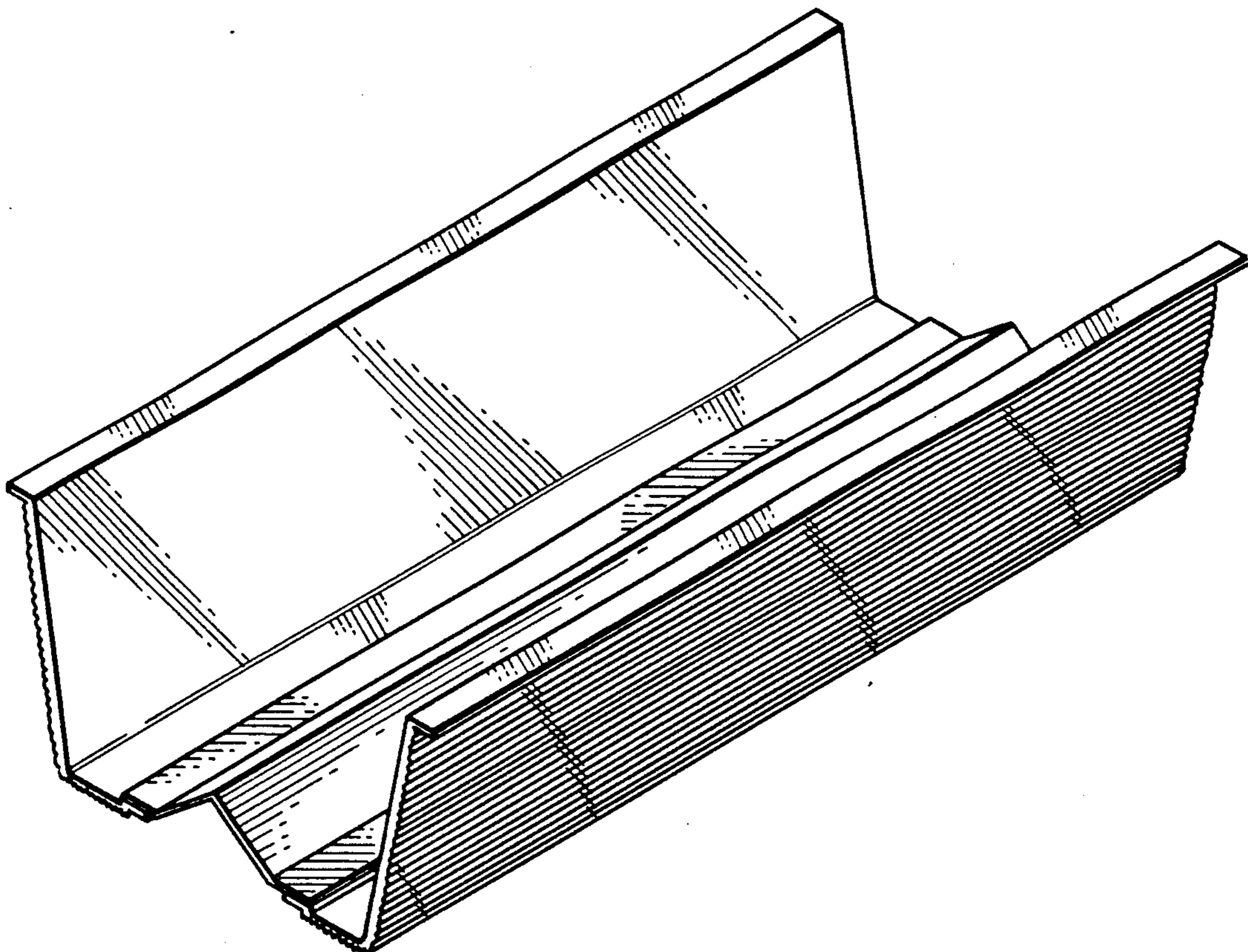


FIG. 1

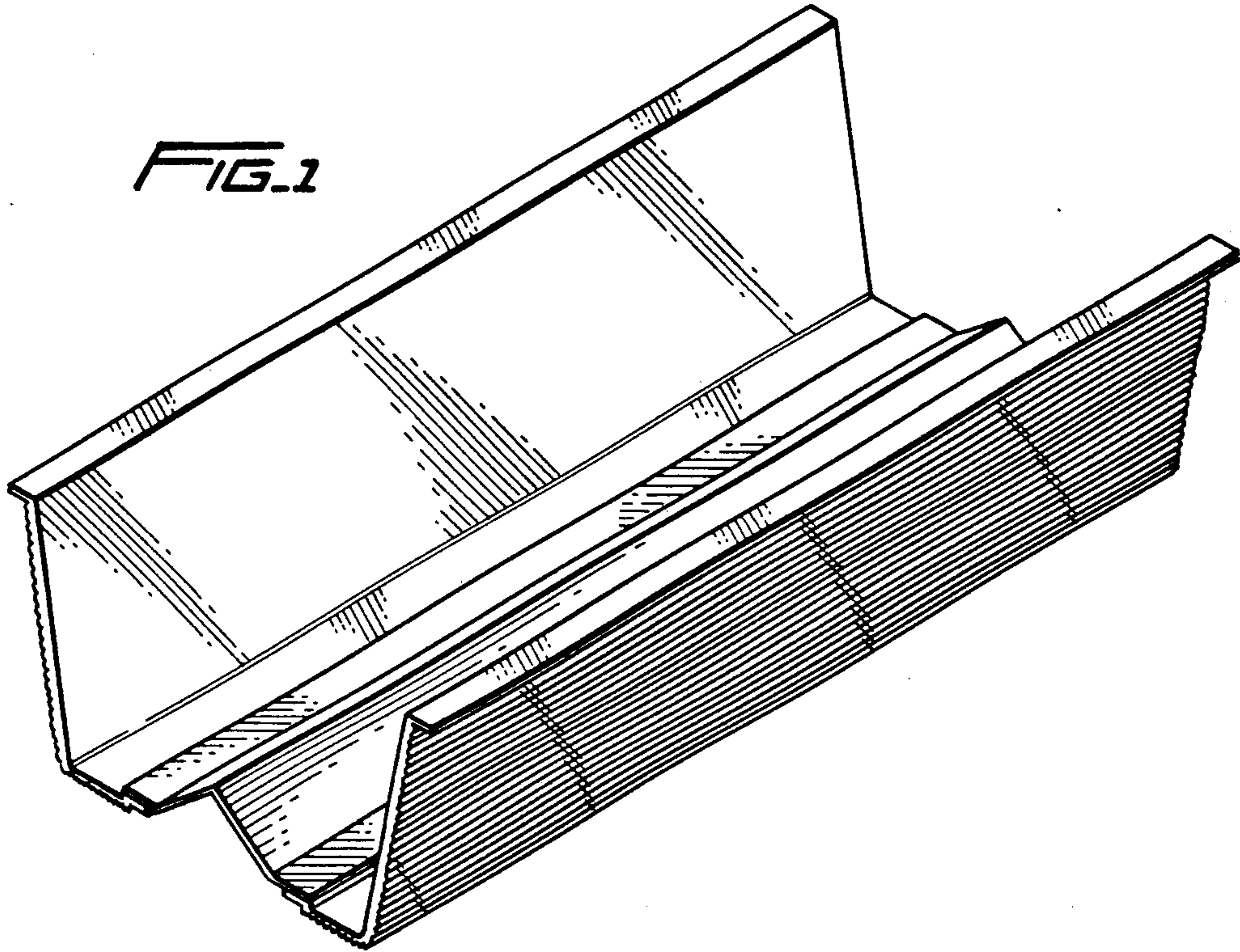


FIG. 3

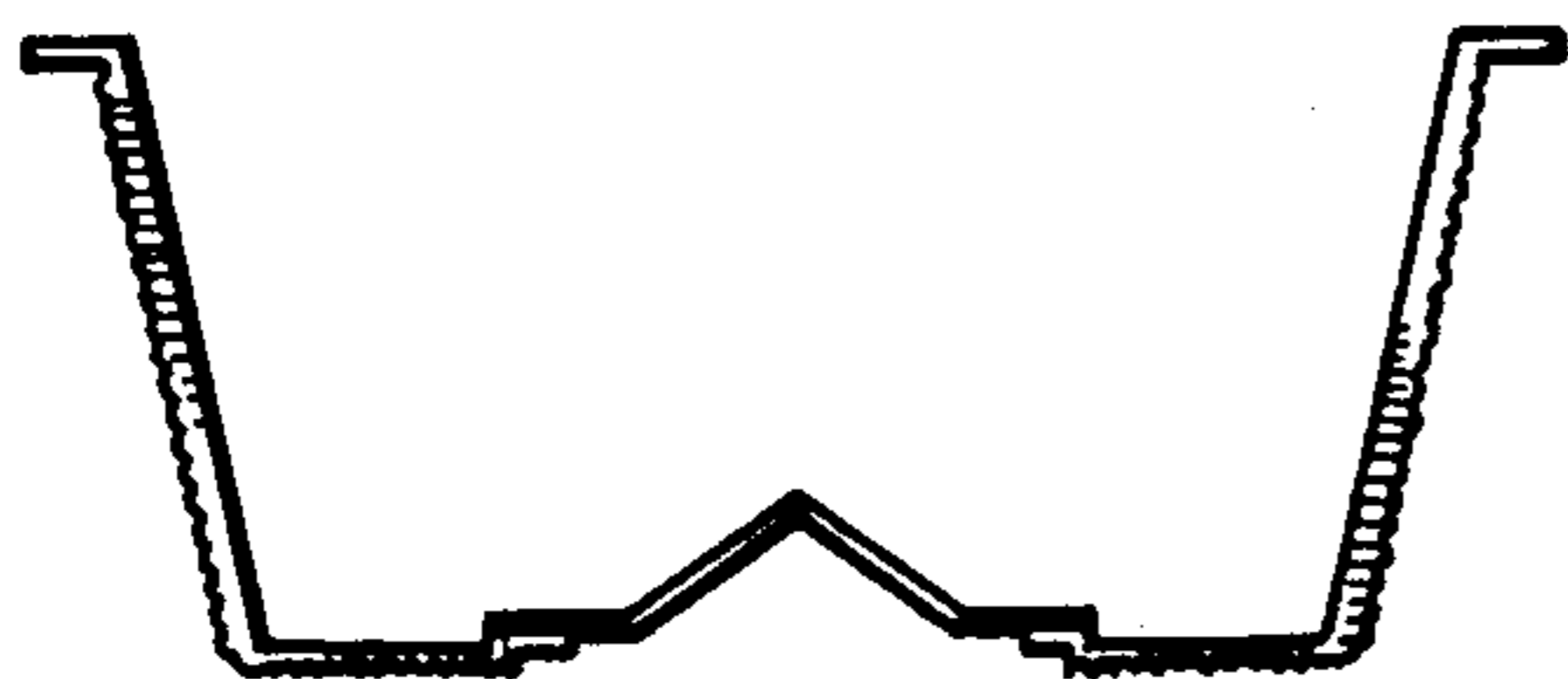
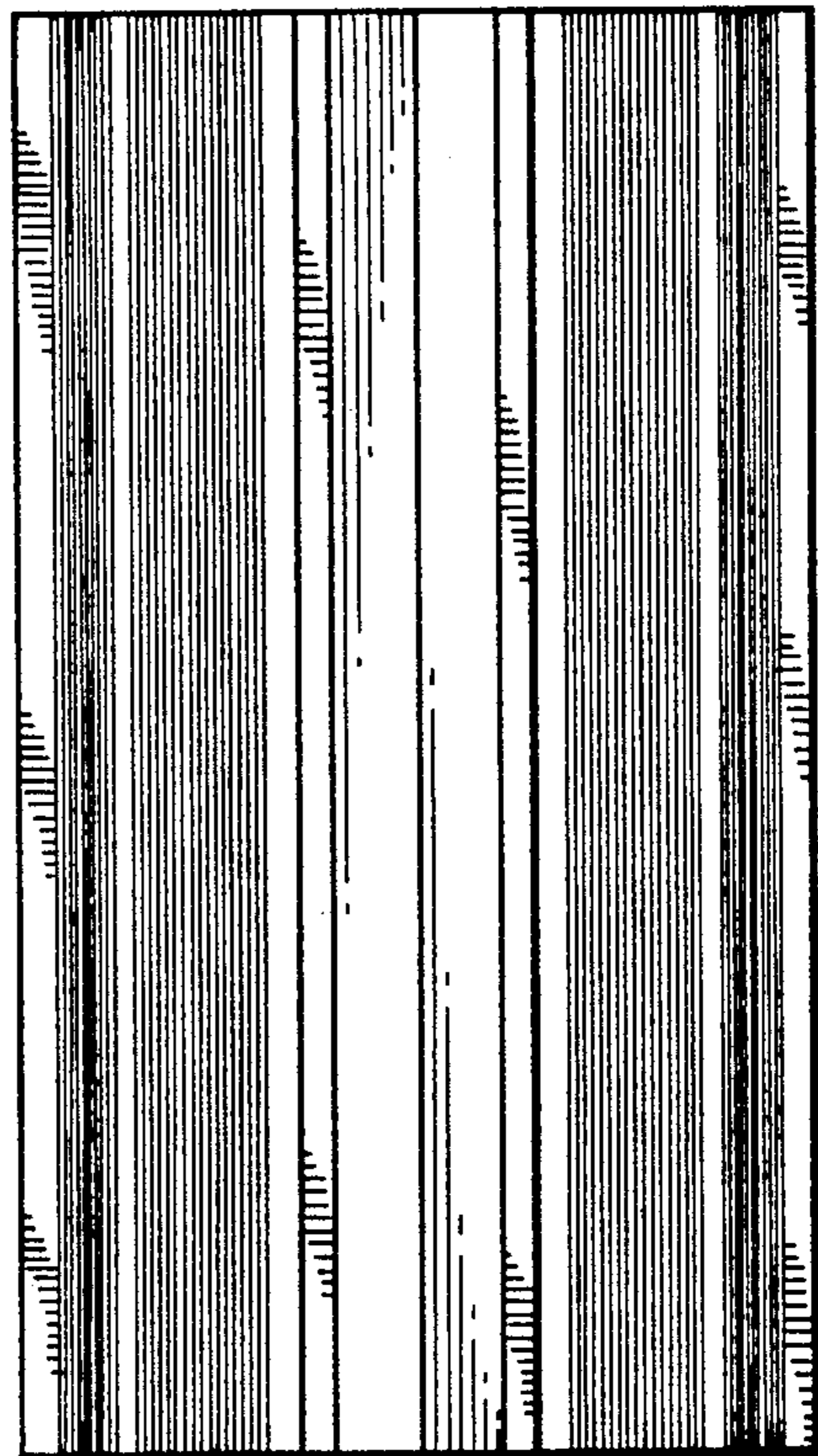


FIG. 2

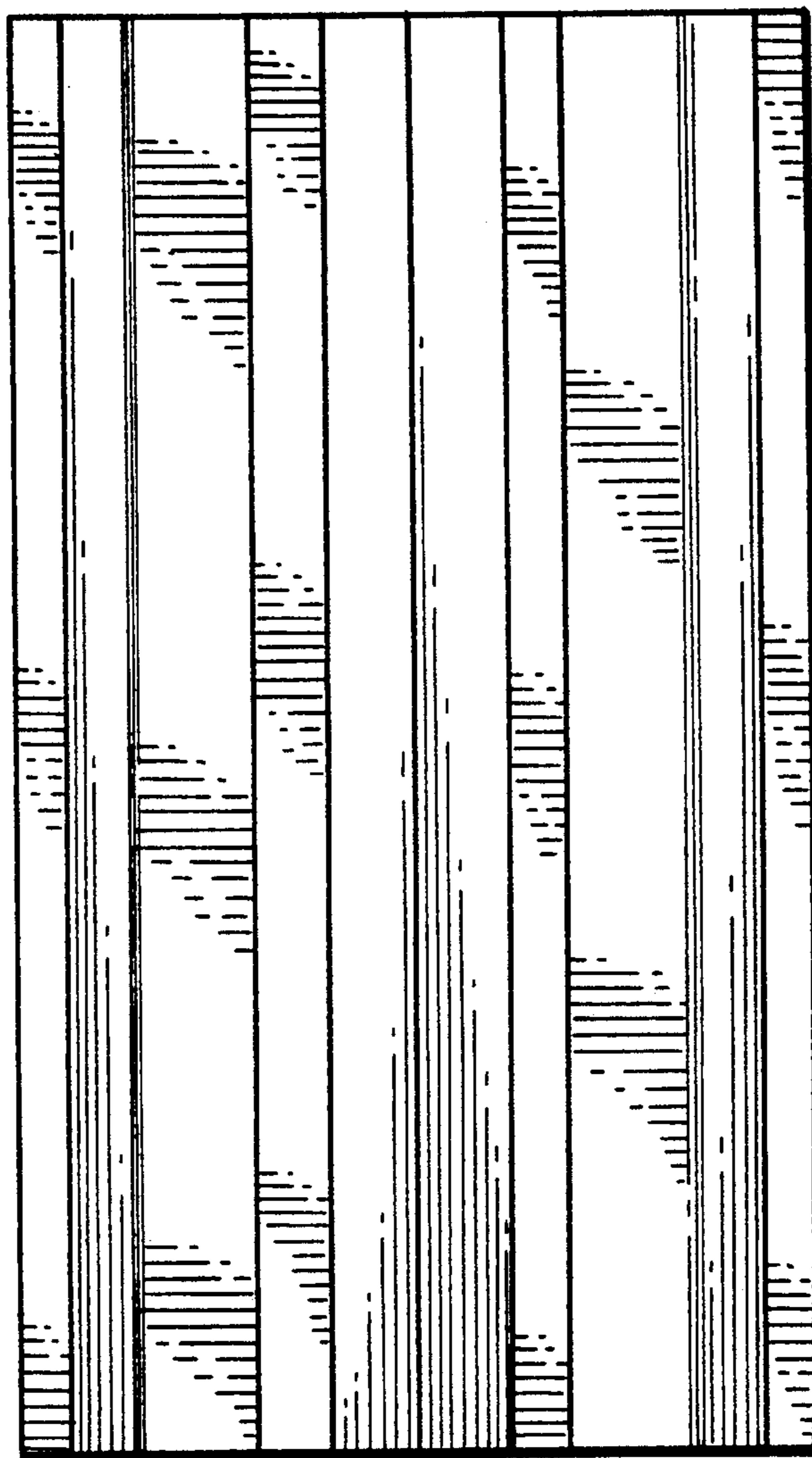


FIG. 4