

[54] ADJUSTABLE TABLE LAMP

[76] Inventor: Craig A. Winn, 1035 Watsoncenter Rd., Carson, Calif. 90745

[**] Term: 14 Years

[21] Appl. No.: 304,116

[22] Filed: Jan. 31, 1989

[52] U.S. Cl. D26/65; D26/107

[58] Field of Search D26/60-66, D26/93, 102-112; 362/410-414, 269, 275, 287, 418, 419, 427

[56] References Cited

U.S. PATENT DOCUMENTS

D. 122,711	9/1940	May	D26/63
D. 125,924	3/1941	Murray	D26/63
D. 128,285	7/1941	Herr	D26/64
525,909	9/1894	Klemm	D26/93 X
1,389,013	8/1921	Schwartz	362/269

OTHER PUBLICATIONS

Mutual-Sunset Lamp Mfg. Co. Advertising Circular, 1940, p. 2, Bridge Lamp #17171.

Home Lighting & Accessories, 1-1986, p. 63, piano lamp.

Washington Post, 12-1-1974, Woodward & Lothrop Supplement, p. 69, piano lamp #69N.

Primary Examiner—Susan J. Lucas

[57] CLAIM

The ornamental design for a adjustable table lamp, as shown and described.

DESCRIPTION

FIG. 1 is a top, front, right side perspective view of an adjustable table lamp showing my new design;

FIG. 2 is a front elevation view thereof;

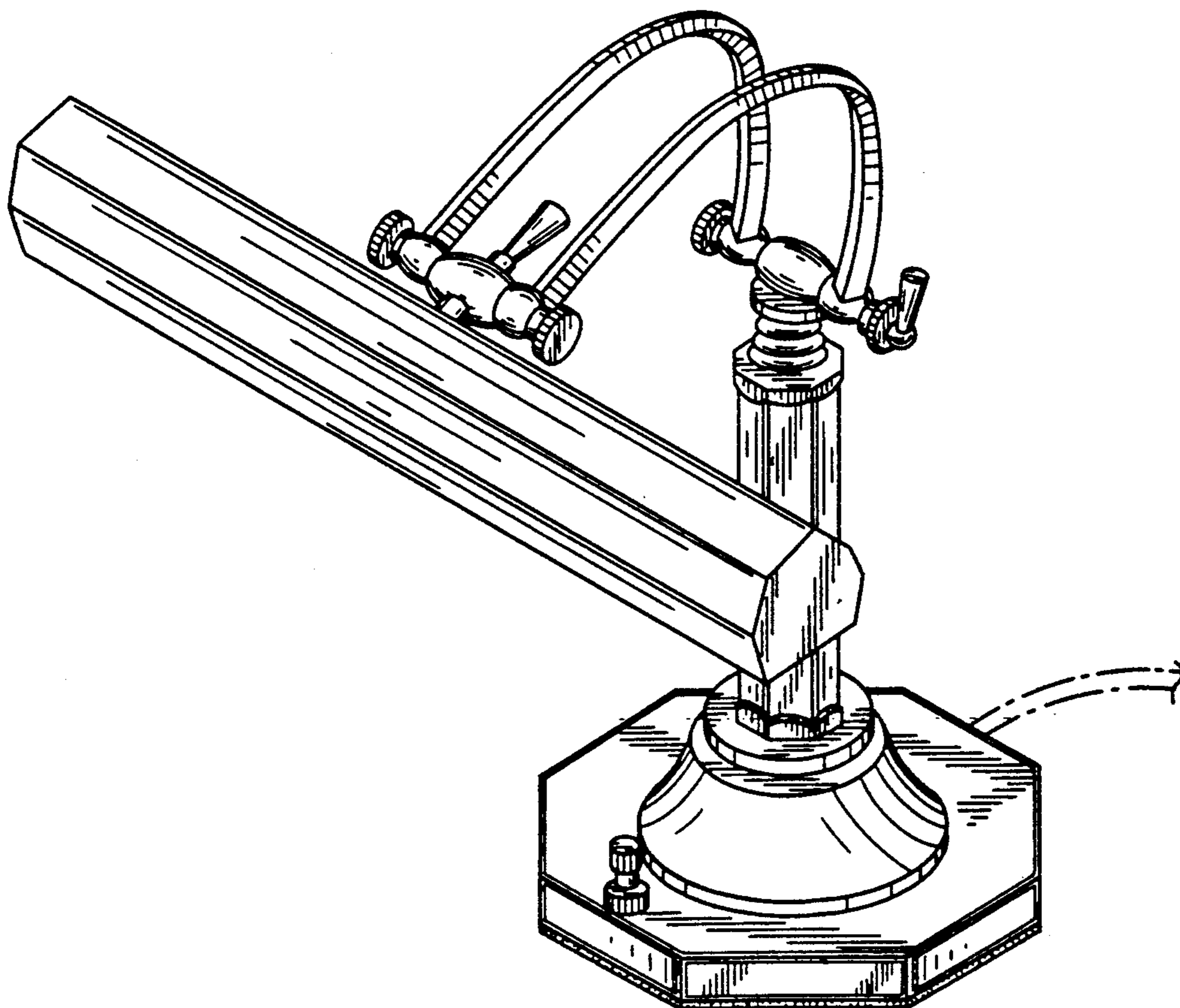
FIG. 3 is a left side elevation view thereof;

FIG. 4 is a top plan view thereof;

FIG. 5 is a rear elevation view thereof;

FIG. 6 is a bottom plan view thereof.

The electric cord in FIGS. 1, 3, 4, and 6 and the lamp bulb structure inside the reflector in FIG. 6 are shown in broken lines for illustrative purposes only.



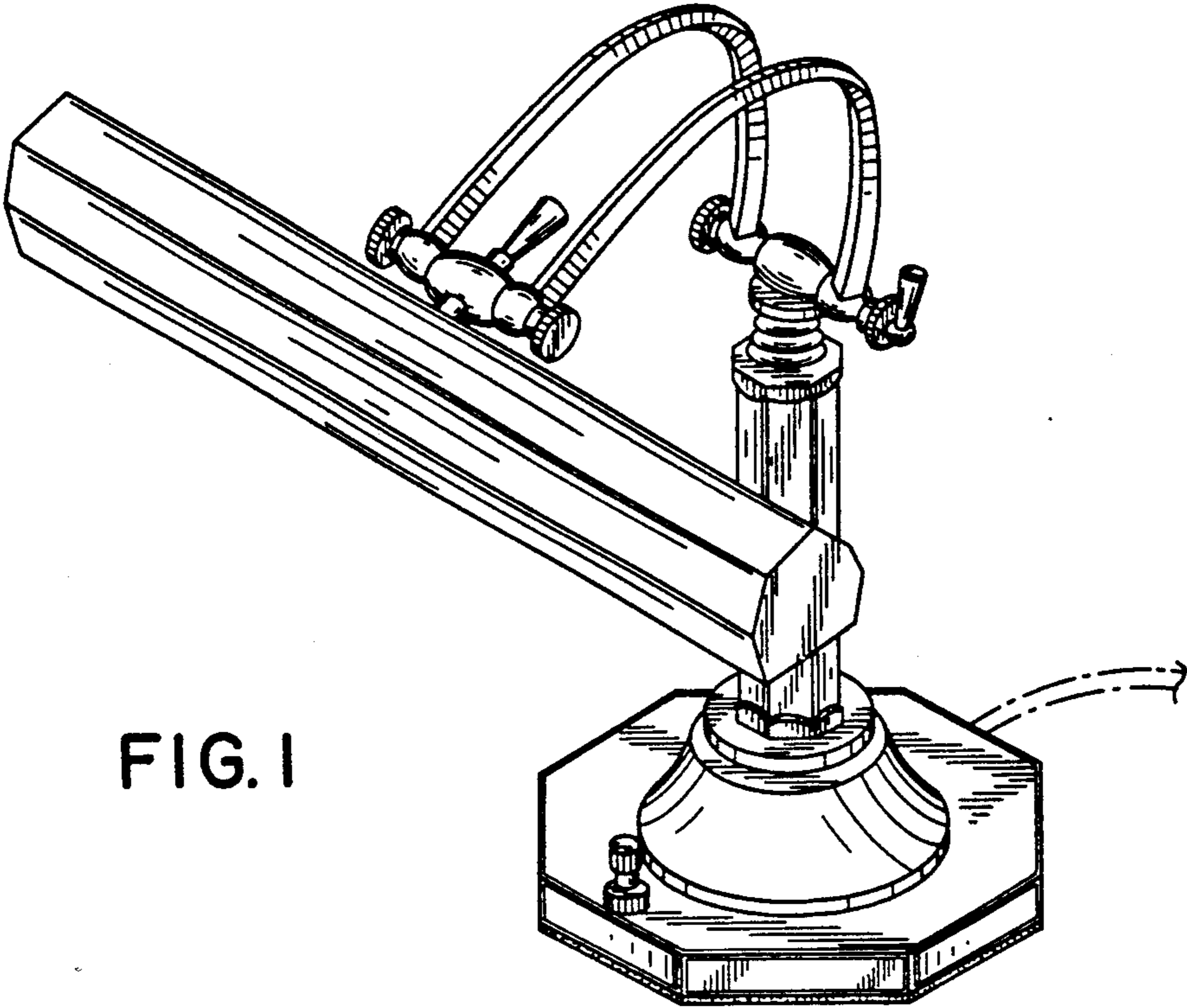


FIG. 1

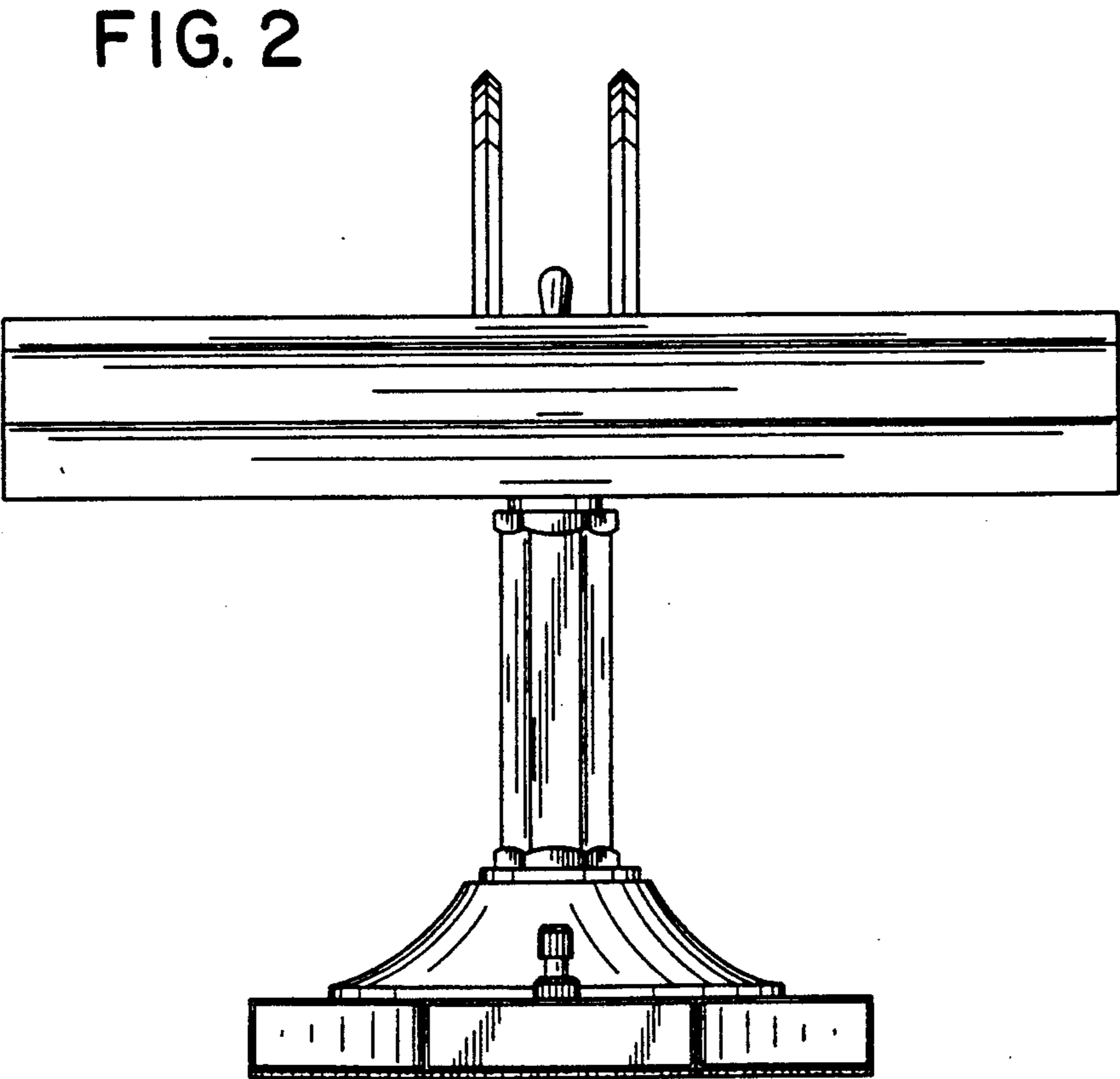


FIG. 2

FIG. 3

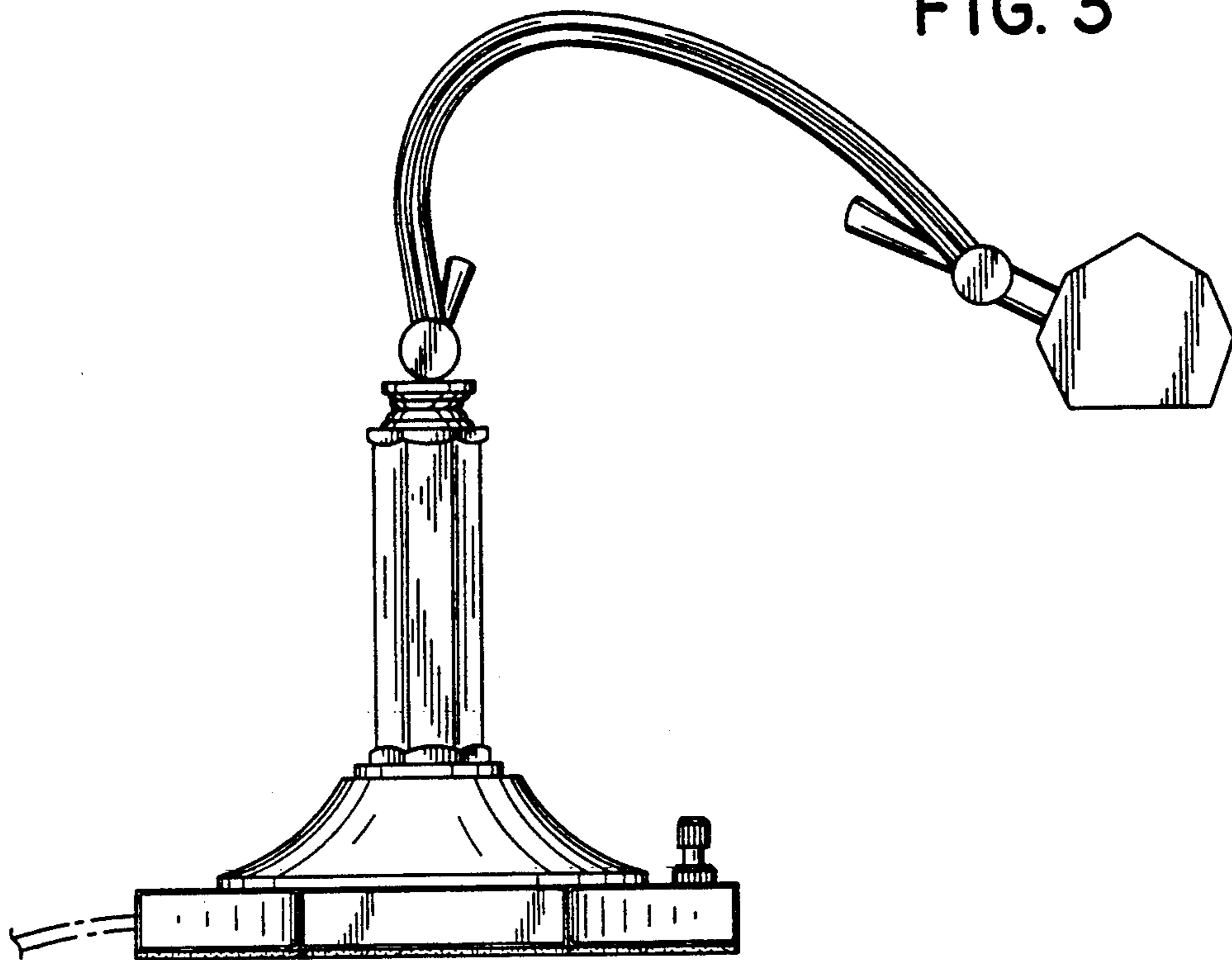


FIG. 4

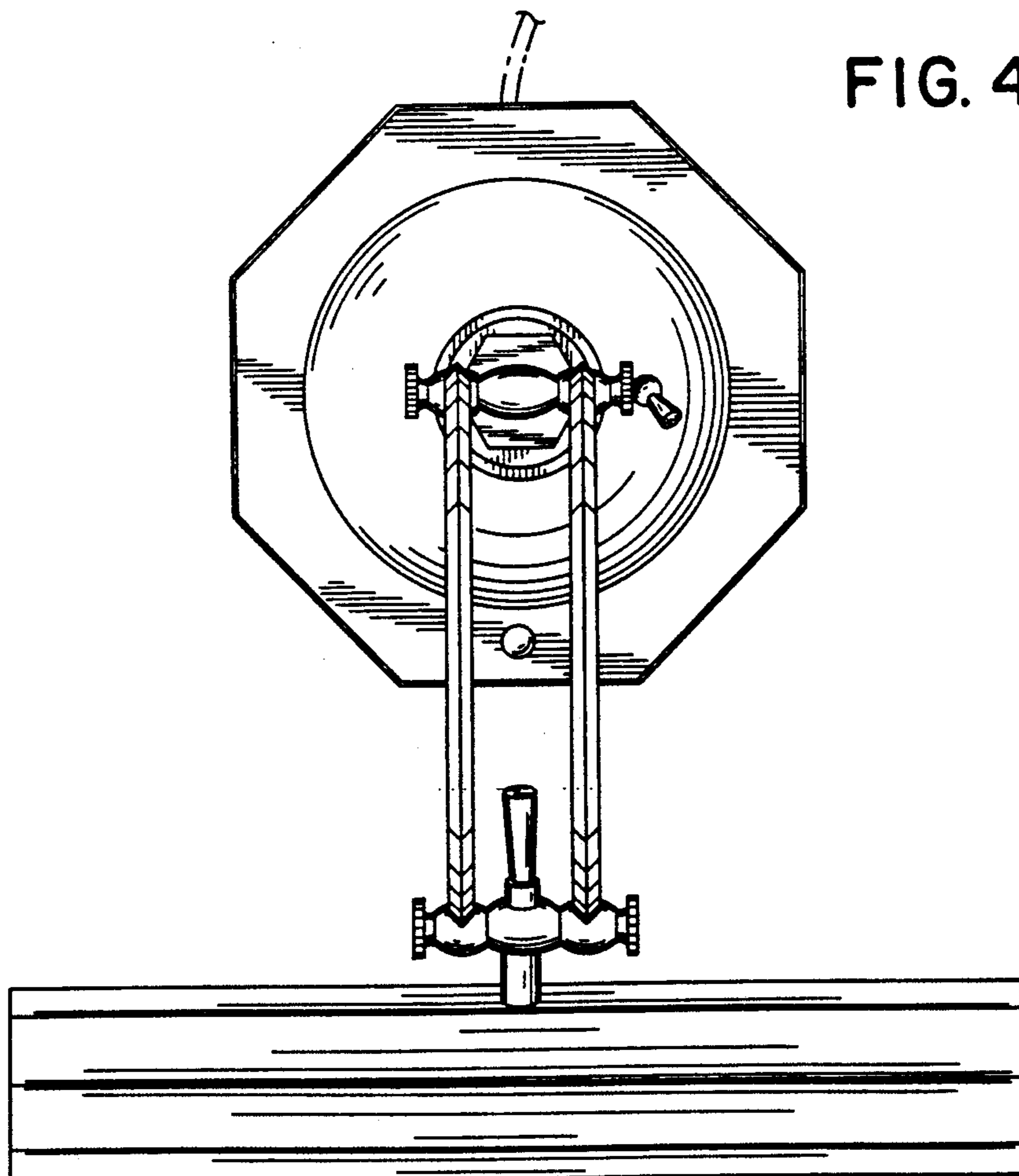


FIG. 5

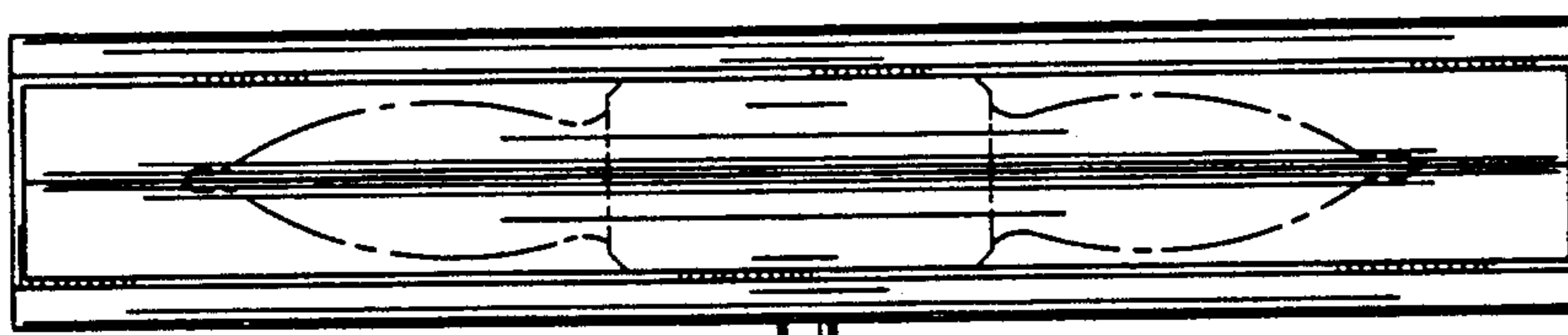
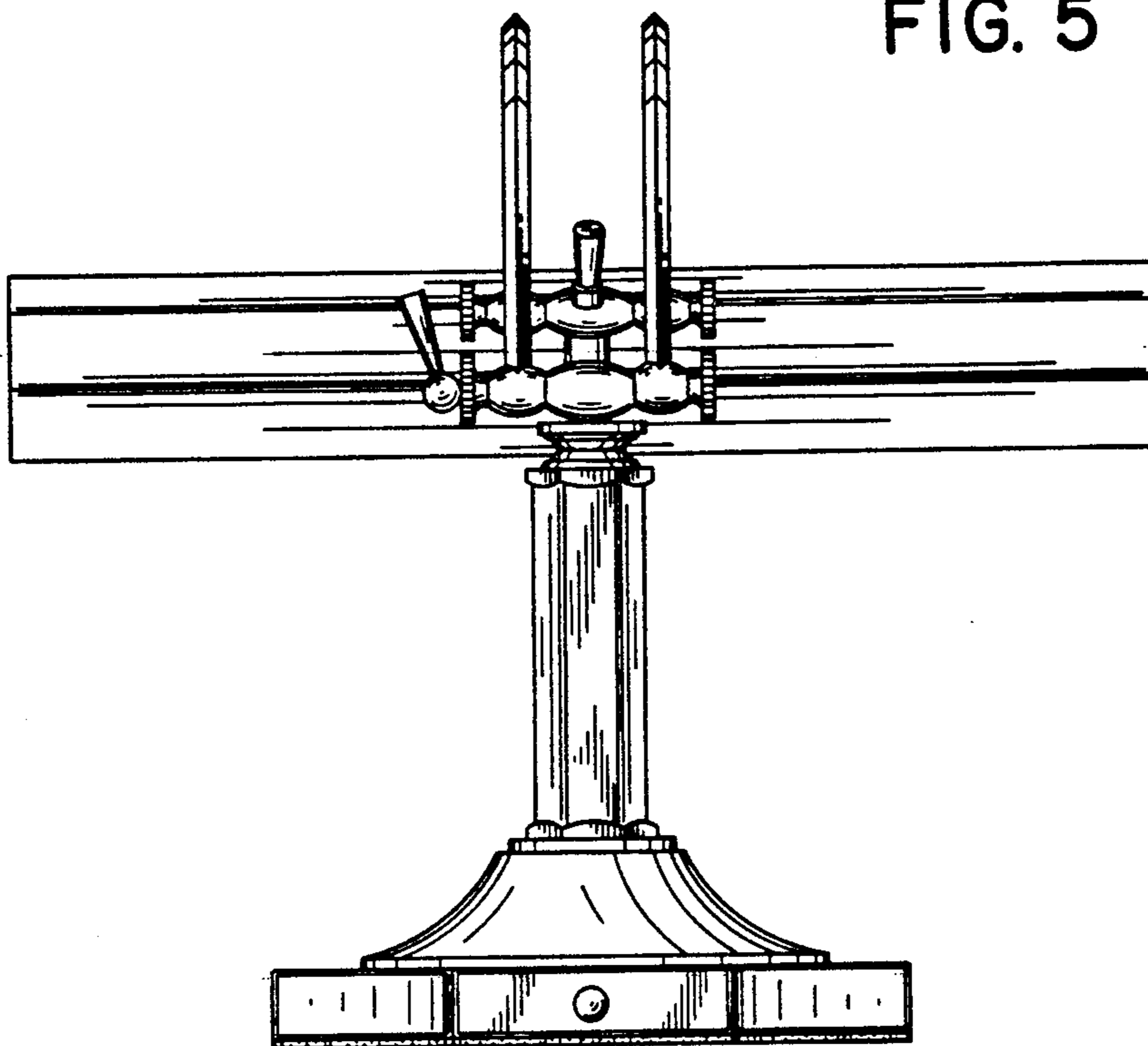


FIG. 6

