

[54] **STEEL CONSTRUCTION SUPPORT**

[76] **Inventor:** Nils Y. Harde, P.O. Box 22113, S-200
63, Malmö, Sweden

[**] **Term:** 14 Years

[21] **Appl. No.:** 108,039

[22] **Filed:** Oct. 13, 1987

[30] **Foreign Application Priority Data**

Apr. 13, 1987 [SE] Sweden 87-0834
[52] **U.S. Cl.** **D25/66**
[58] **Field of Search** D25/62, 66; 182/56,
182/101, 102, 115, 116, 141, 222, 179; 52/637,
638, 645, 646, 648, 655; 366/62, 208

[56] **References Cited**

U.S. PATENT DOCUMENTS

1,040,656 10/1912 Eaton 366/62

FOREIGN PATENT DOCUMENTS

222740 of 1959 Australia 366/62
356558 of 1931 United Kingdom 366/62

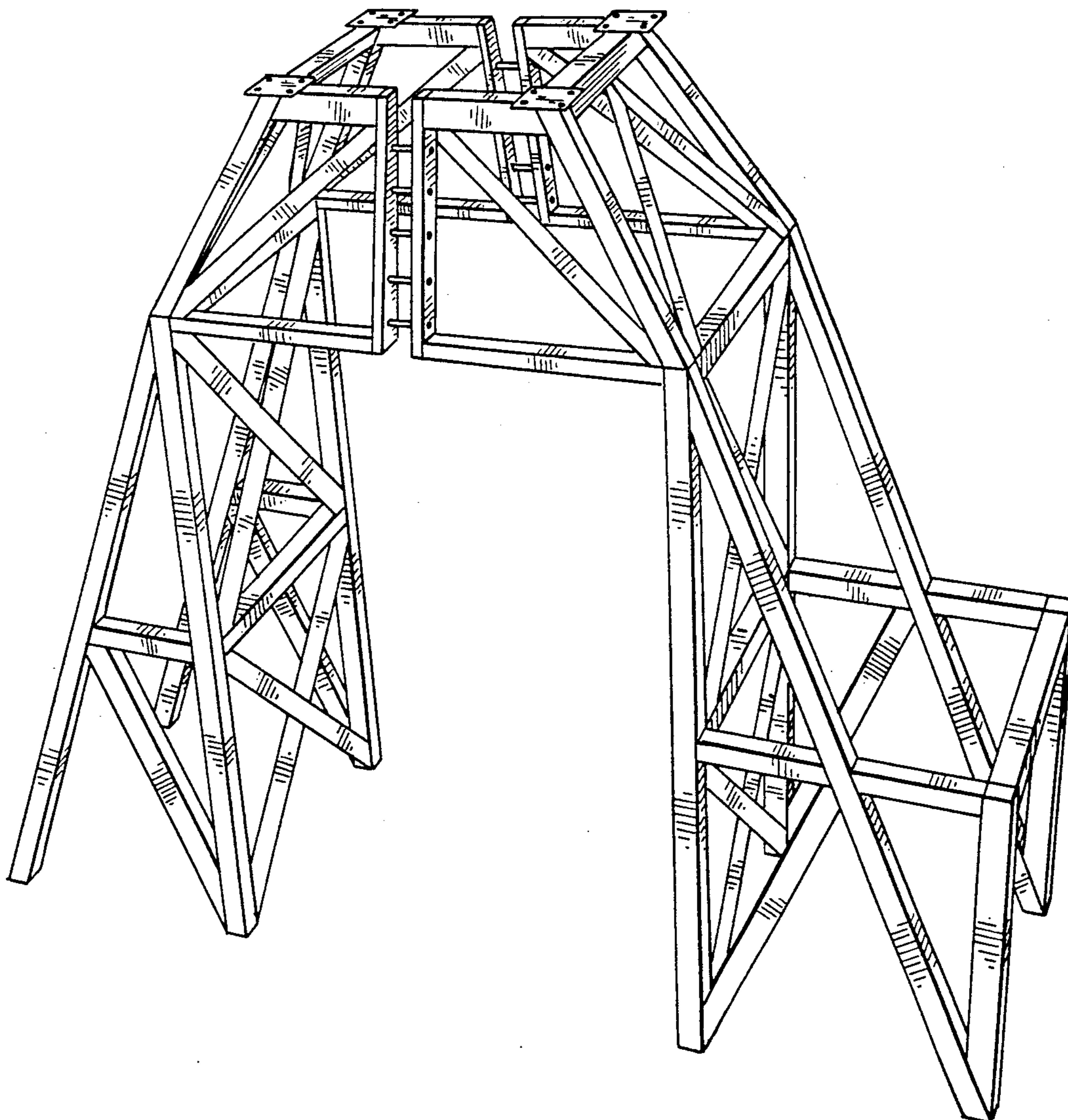
Primary Examiner—A. Hugo Word
Assistant Examiner—Doris Clark
Attorney, Agent, or Firm—Ladas & Parry

[57] **CLAIM**

The ornamental design for a steel construction support, as shown and described.

DESCRIPTION

FIG. 1 is a perspective view of the steel construction support showing my new design; FIG. 2 is a top plan view thereof; FIG. 3 is a front elevational view thereof; FIG. 4 is a rear elevational view thereof; FIG. 5 is a bottom plan view thereof; FIG. 6 is a right side elevational view thereof; and FIG. 7 is a left side elevational view thereof.



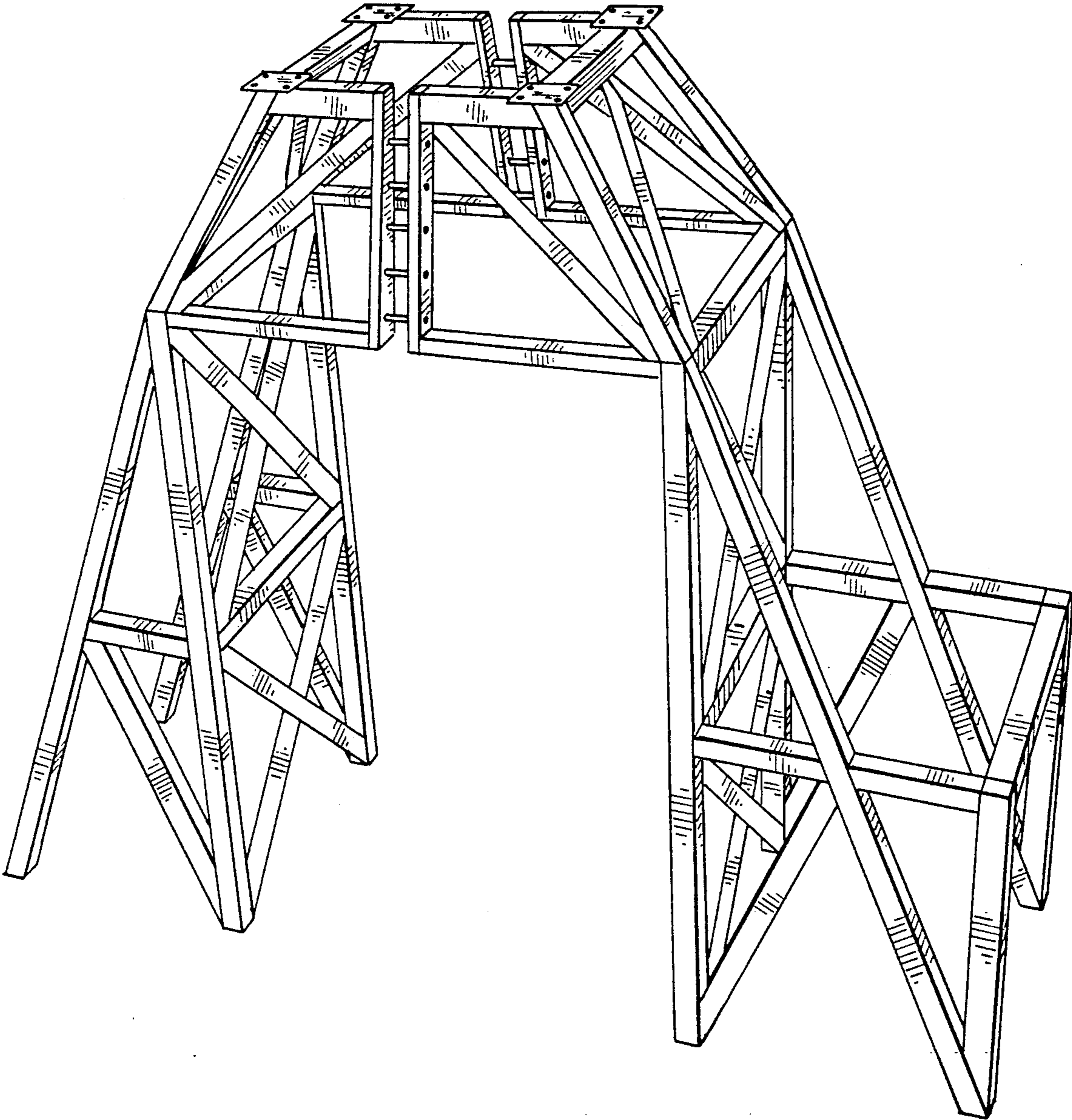


Fig. 1

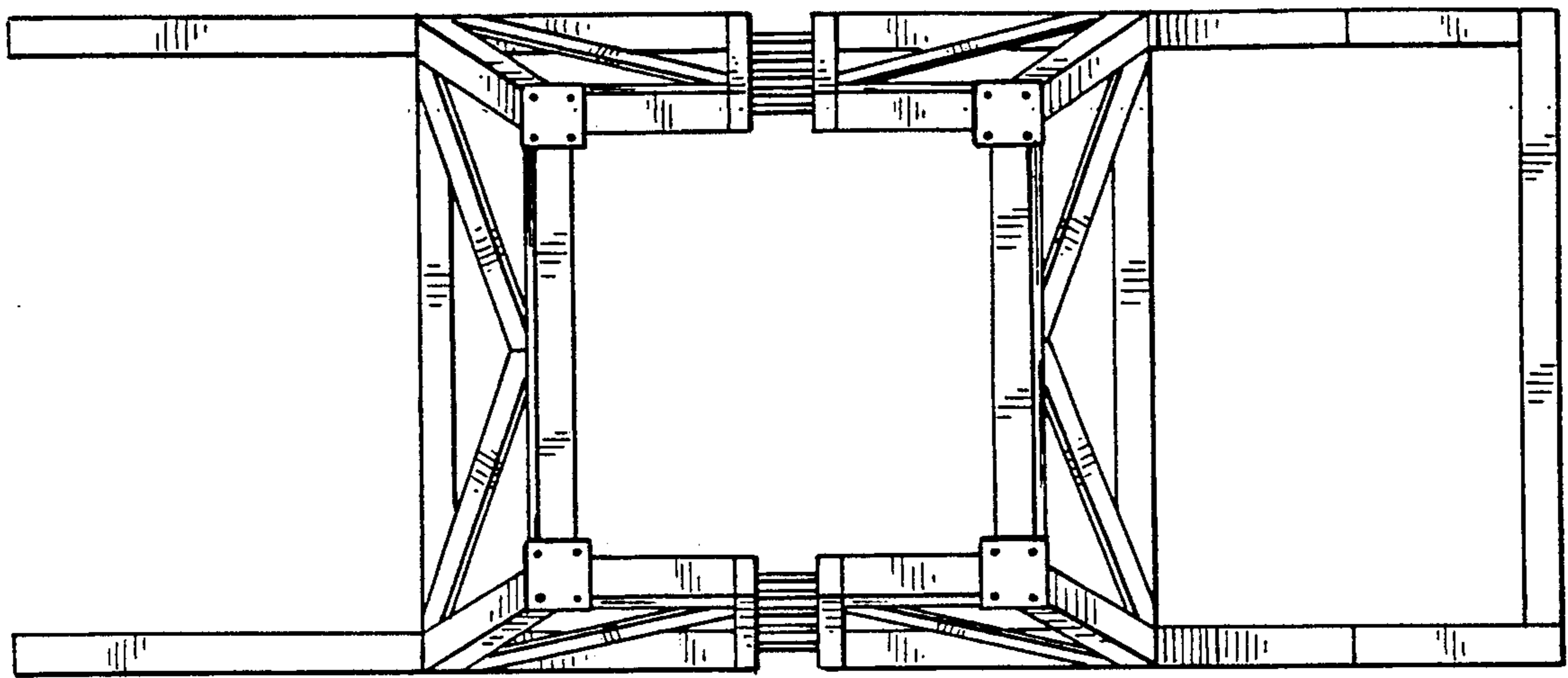


Fig. 2

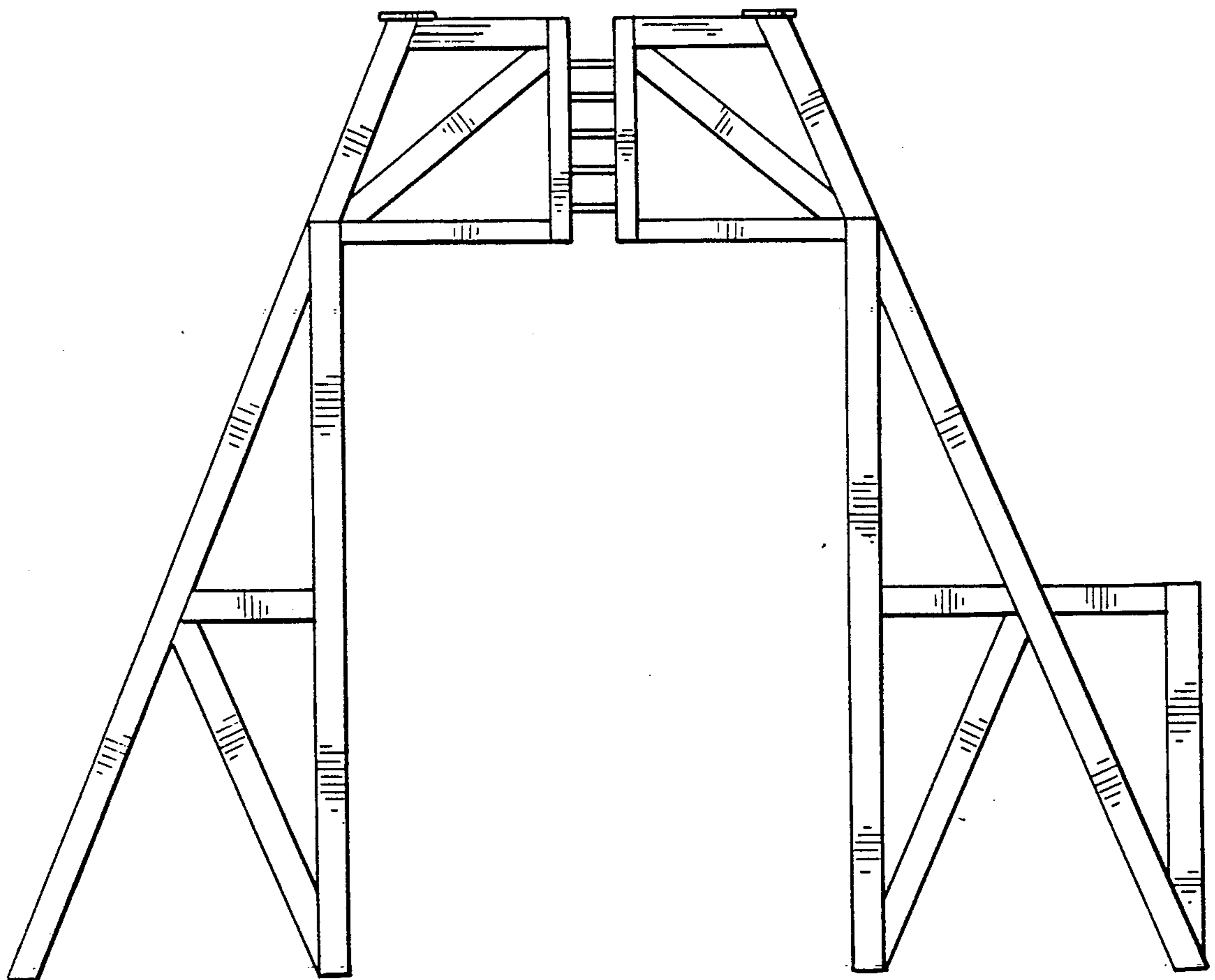


Fig. 3

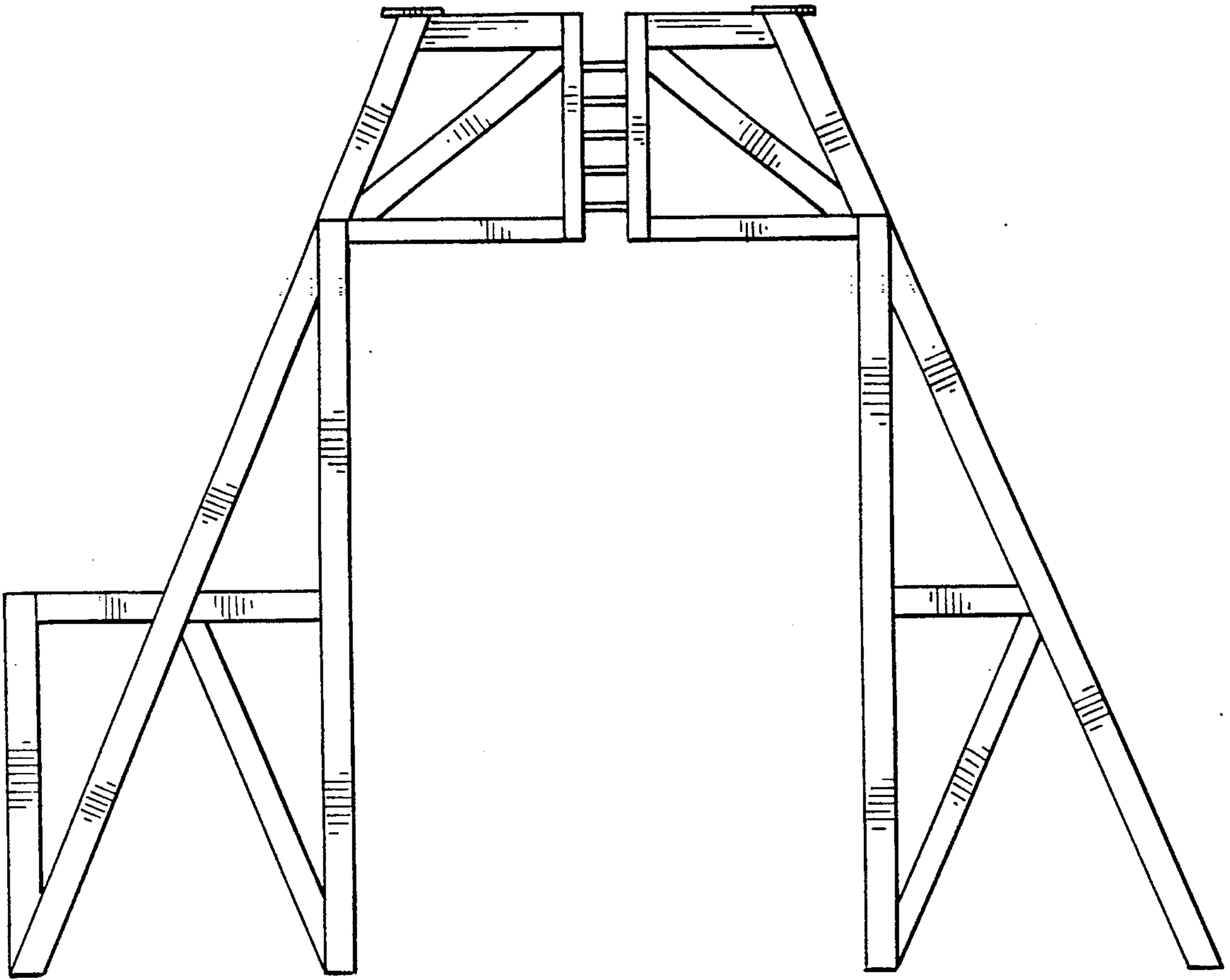


Fig. 4

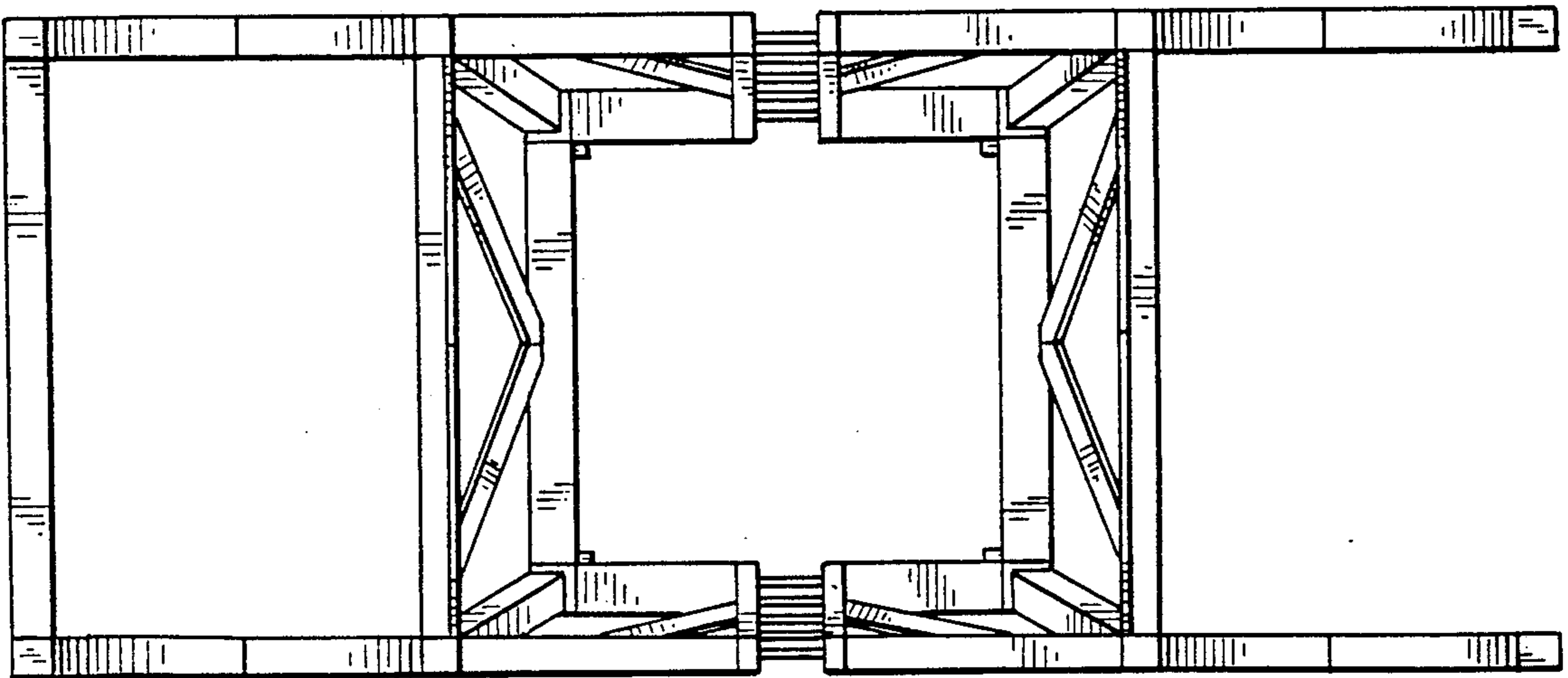


Fig. 5

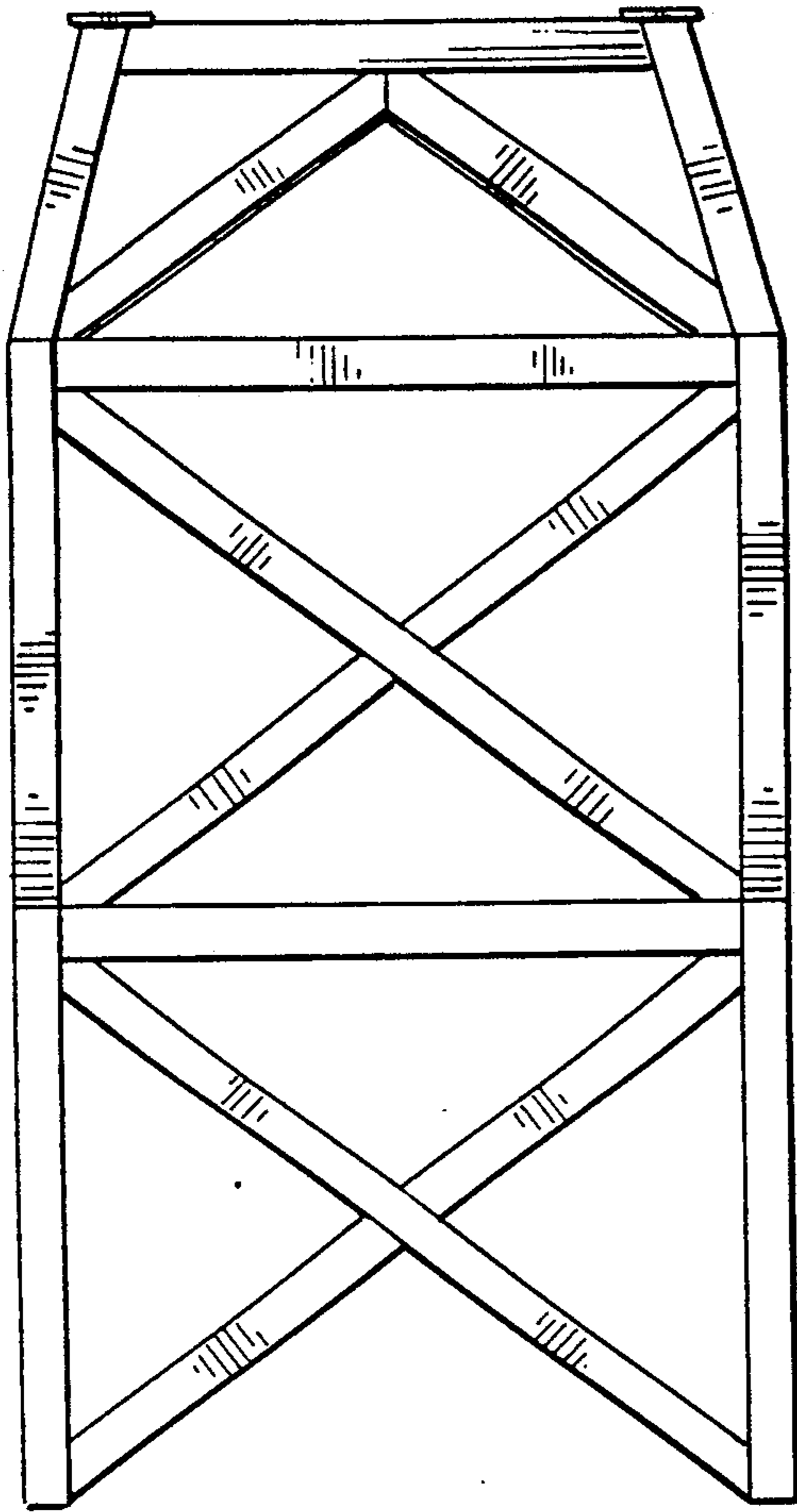


Fig. 6

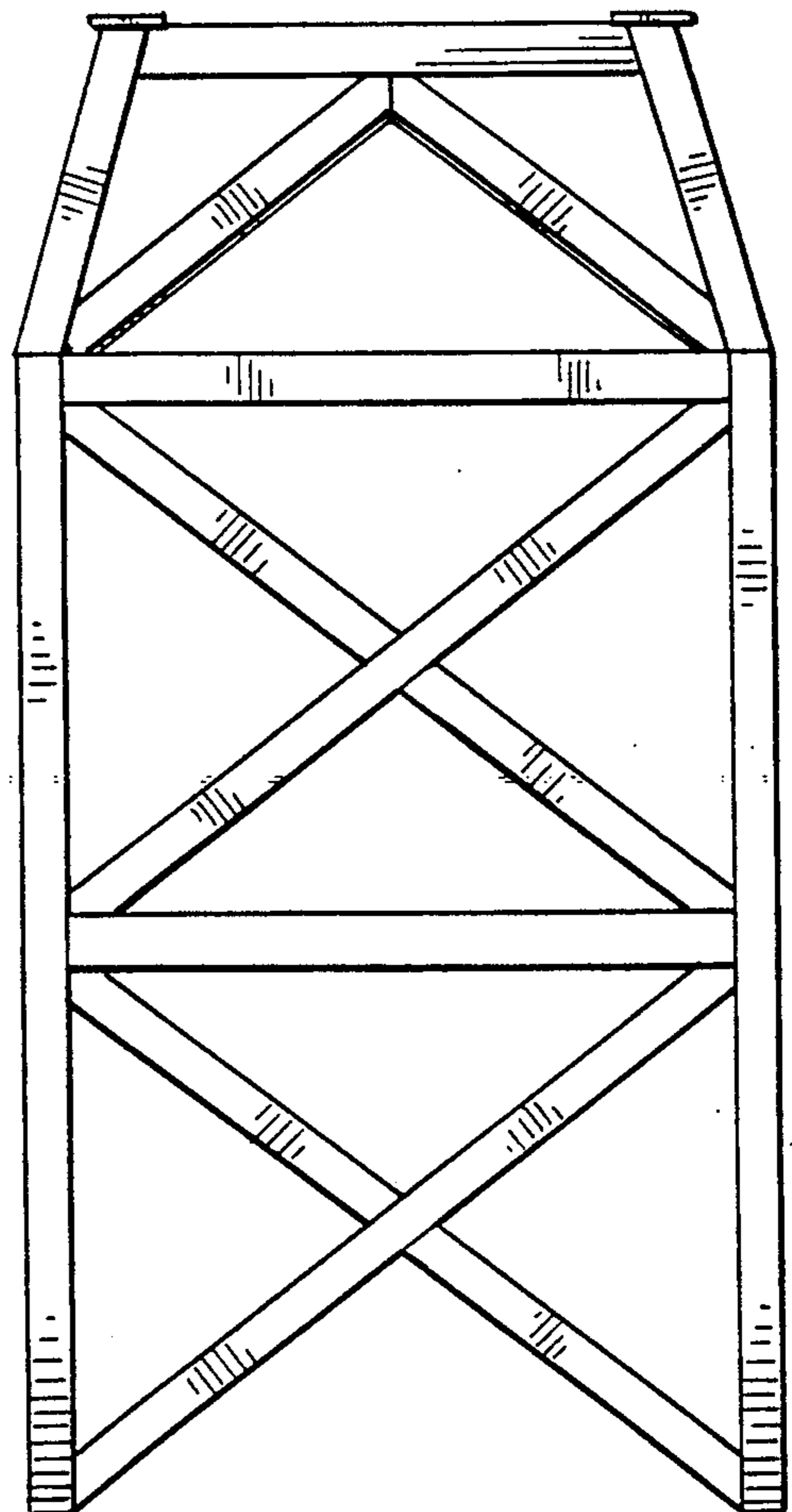


Fig. 7