

[54] COMBINED DOUCHE DISPENSER BOTTLE AND STORAGE CABINET

[76] Inventor: Mary E. Reynolds, P.O. Box 446, Breckenridge, Tex. 76024

[\*\*] Term: 14 Years

[21] Appl. No.: 240,239

[22] Filed: Sep. 6, 1988

[52] U.S. Cl. .... D24/59; D24/51

[58] Field of Search ..... D24/59, 56, 51; 604/259, 151, 150, 145

[56] References Cited

U.S. PATENT DOCUMENTS

2,364,491	12/1944	Triadou .....	D24/59 X
2,545,089	3/1951	Ladewig .....	D24/59 X
3,756,236	9/1973	Murray et al. ....	D24/59 X

Primary Examiner—Stella Reid  
Attorney, Agent, or Firm—Crutsinger & Booth

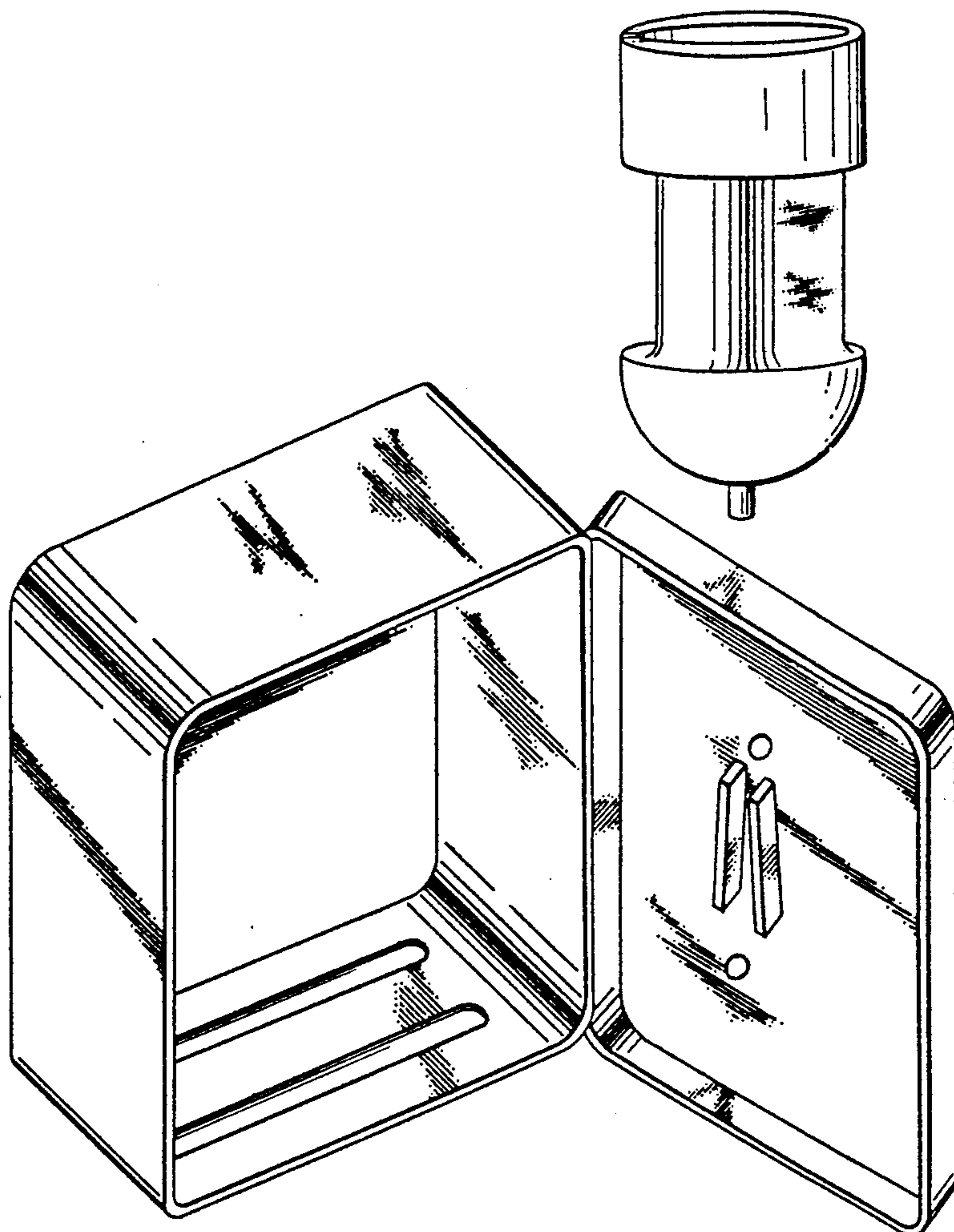
[57] CLAIM

The ornamental design for a combined douche dis-

penser bottle and storage cabinet, as shown and described.

DESCRIPTION

FIG. 1 is a perspective view of a combined douche dispenser bottle and storage cabinet, showing my new design, with the cabinet door in open position; FIG. 2 is a top plan view thereof, with the bottle in mounted position; FIG. 3 is a bottom plan view thereof; FIG. 4 is a front elevational view thereof; FIG. 5 is a rear elevational view thereof; FIG. 6 is a right side elevational view of the storage cabinet with the door in closed position; FIG. 7 is a left side elevational view thereof; FIG. 8 is a front elevational view of the dispenser bottle; FIG. 9 is a rear elevational view thereof; FIG. 10 is a top plan view thereof; FIG. 11 is a bottom plan view thereof; and FIG. 12 is a right side elevational view thereof.



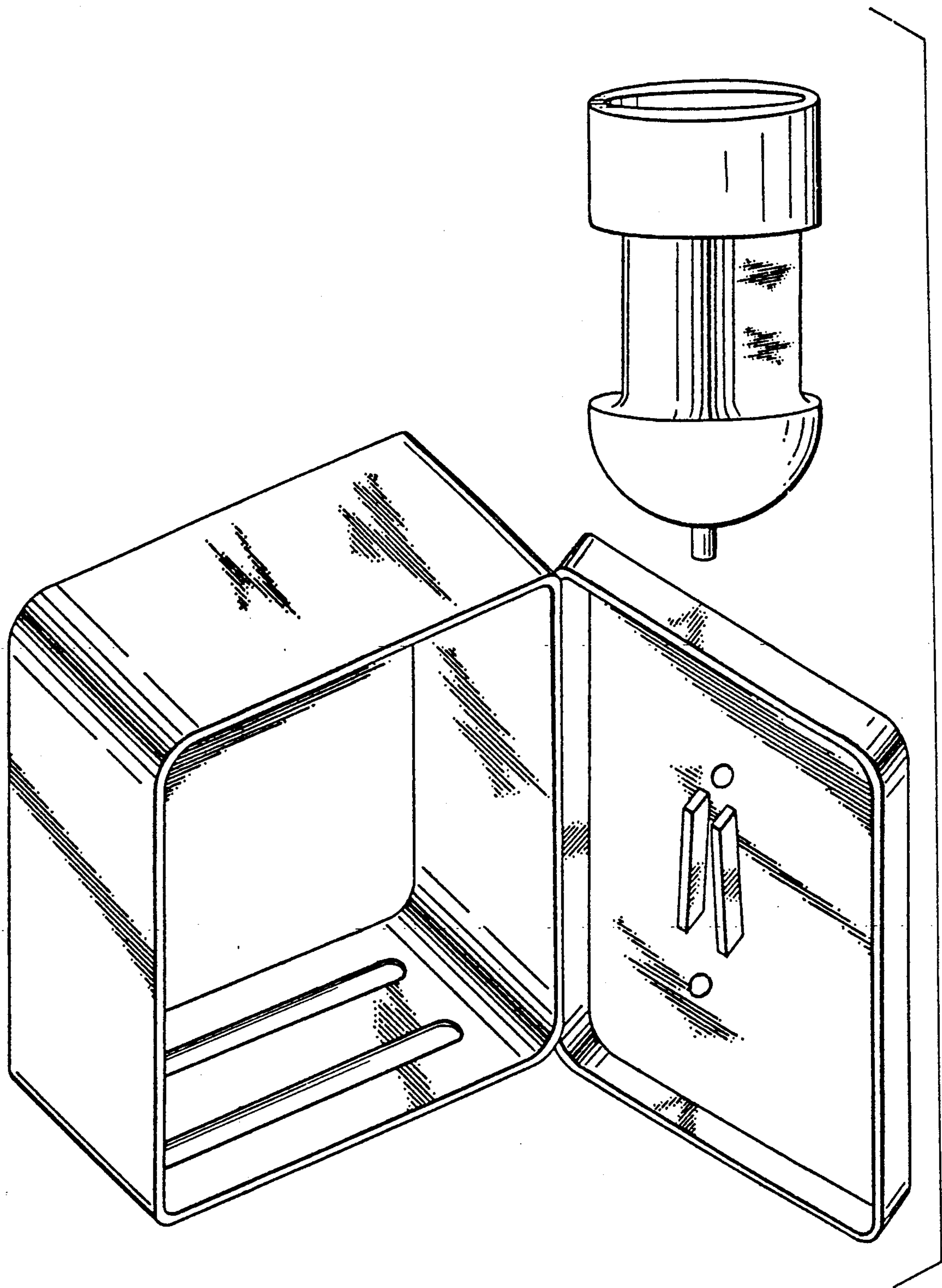


FIG. 1

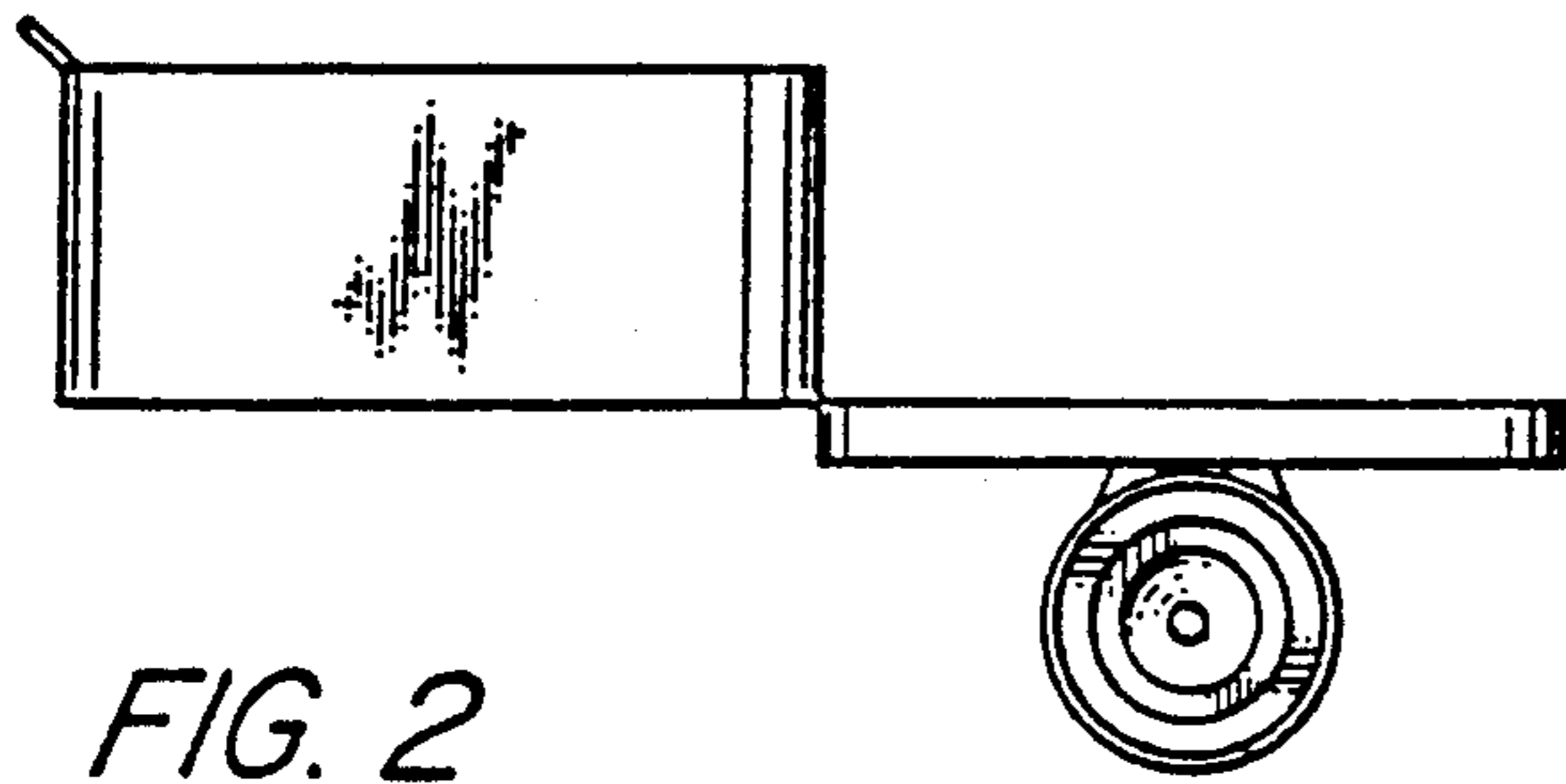


FIG. 2

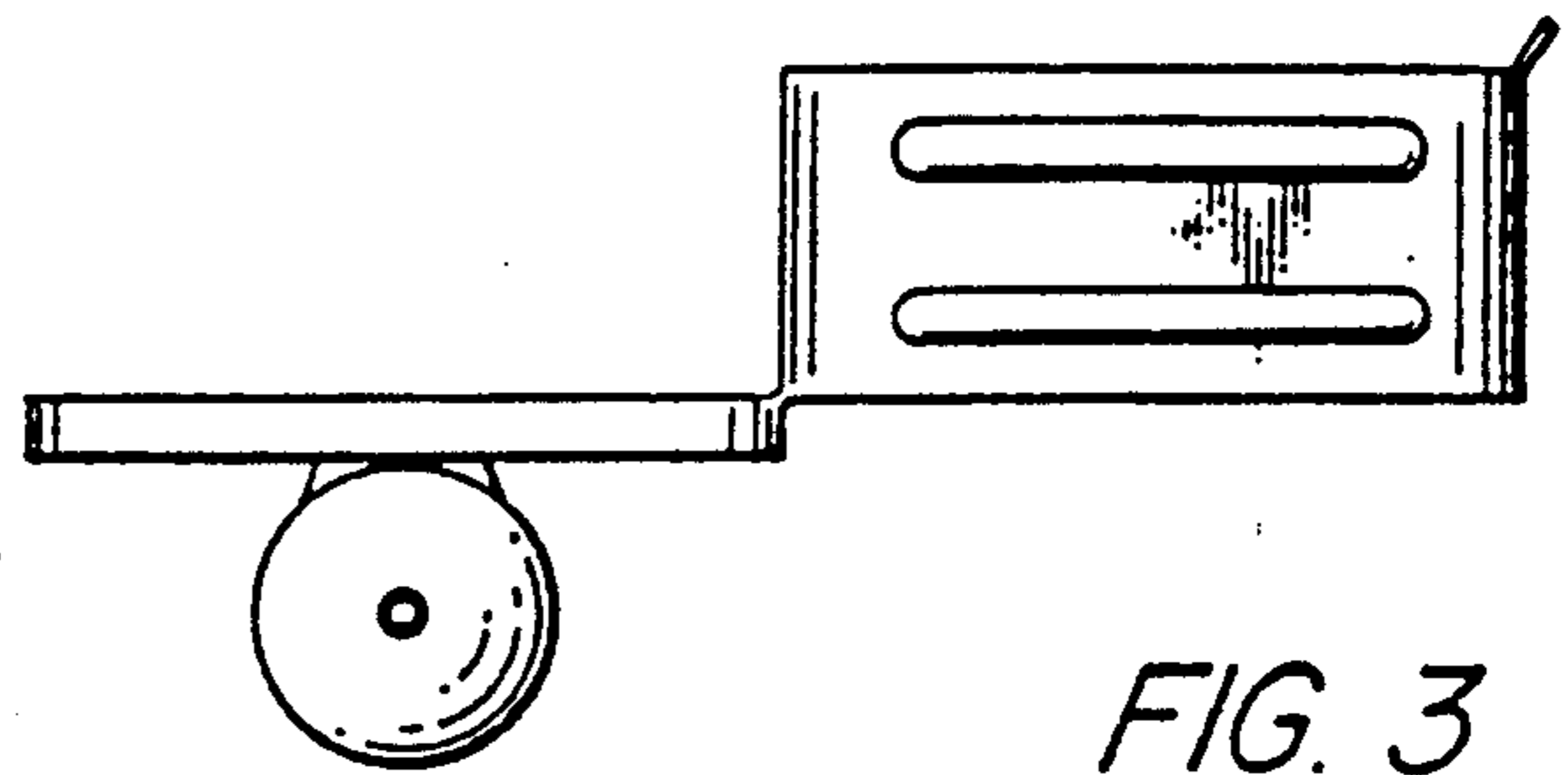


FIG. 3

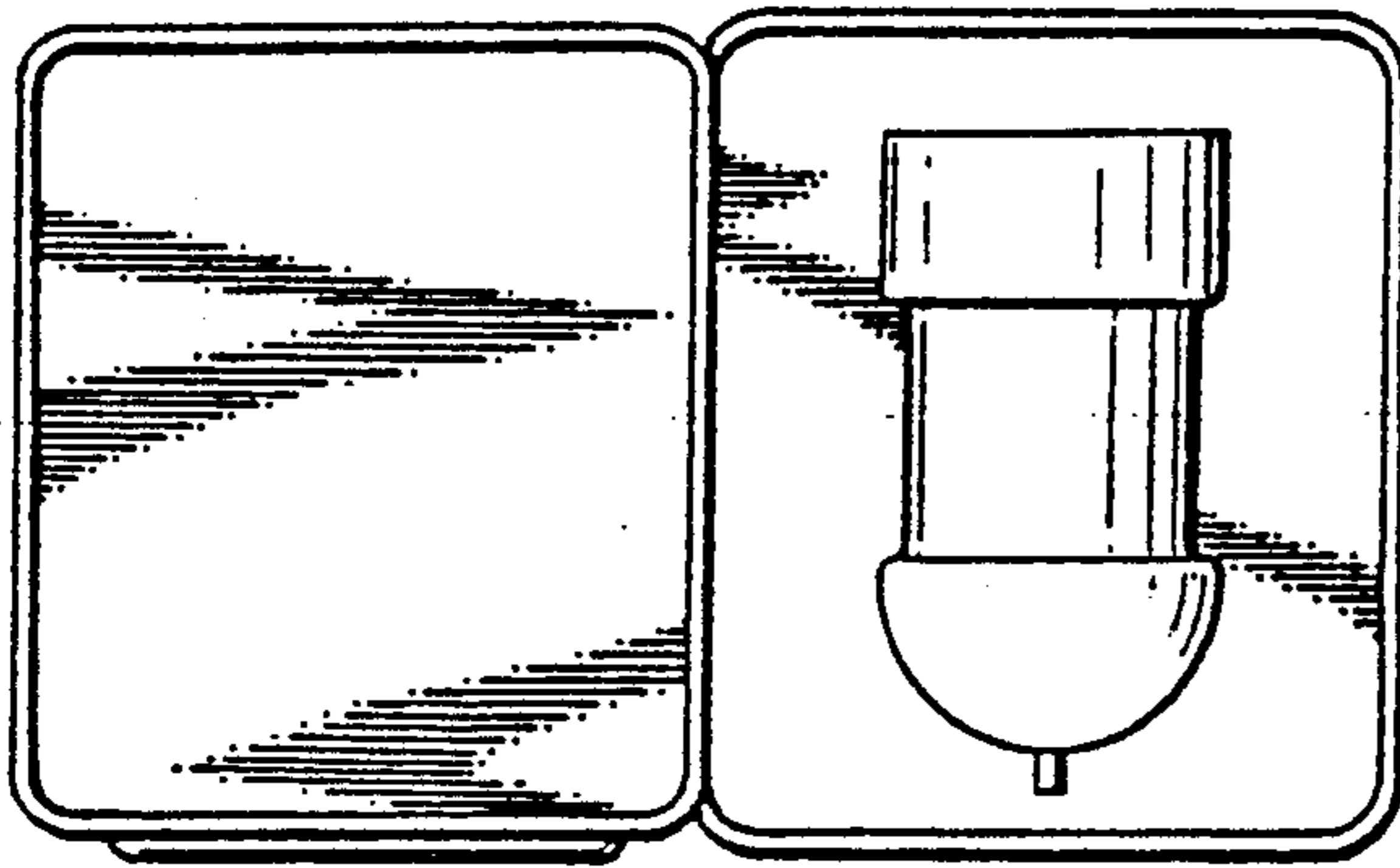


FIG. 4

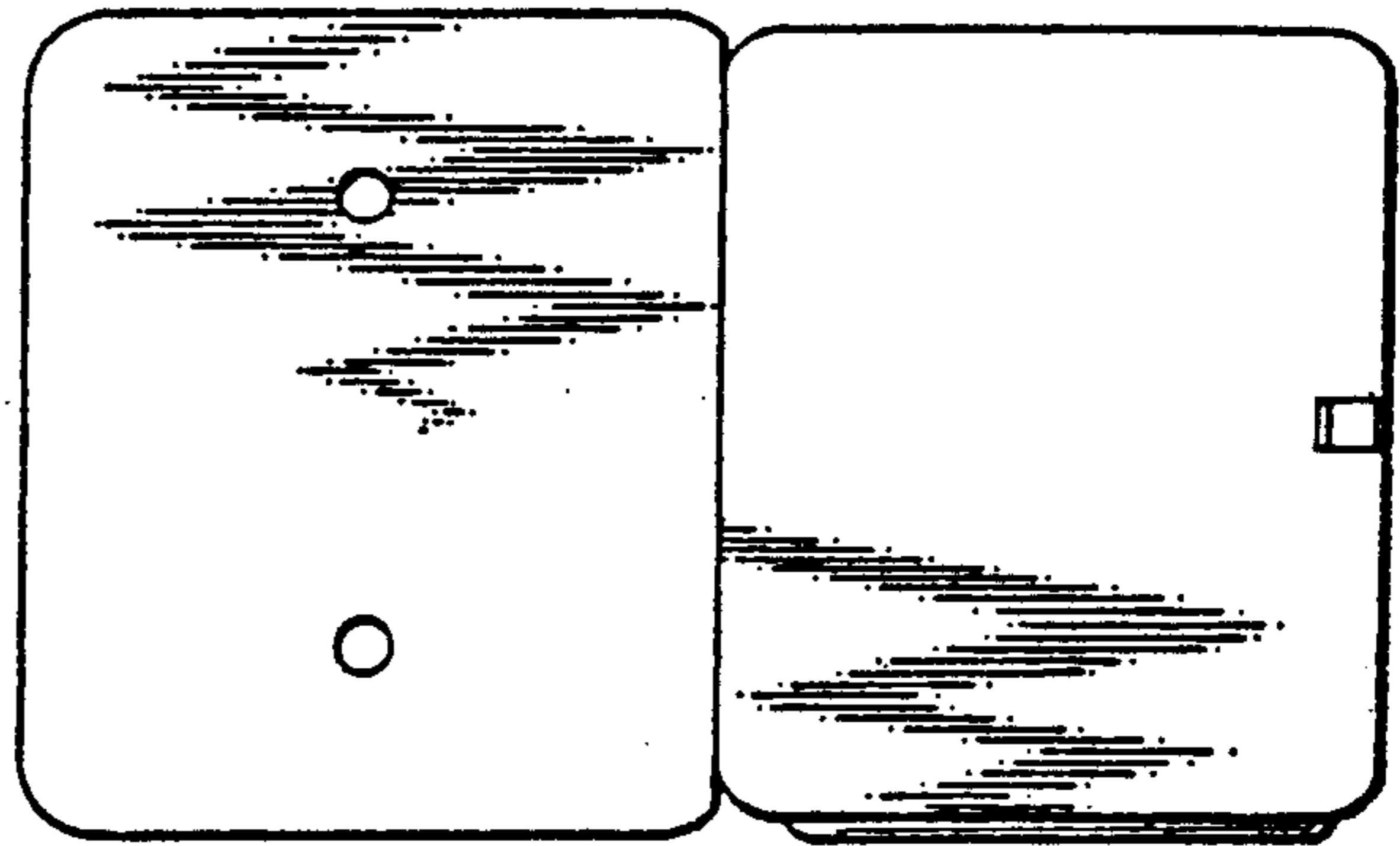


FIG. 5

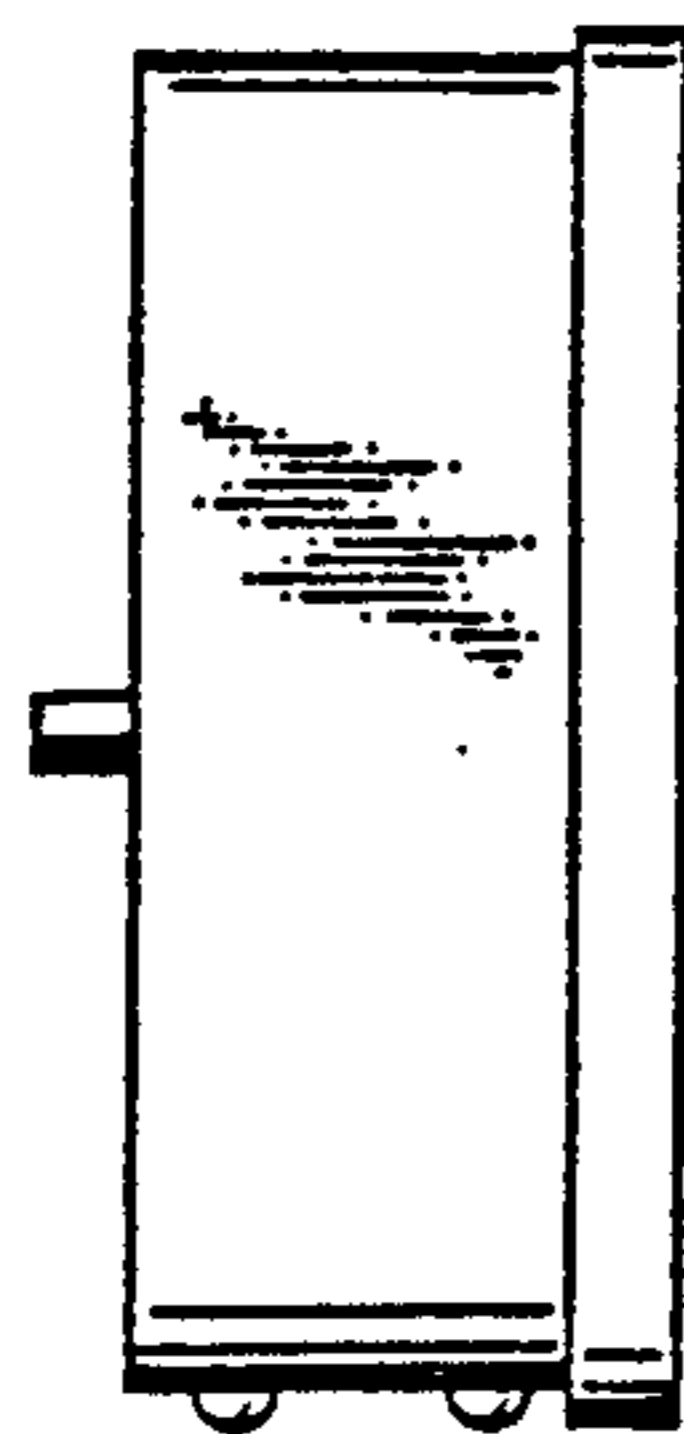


FIG. 6

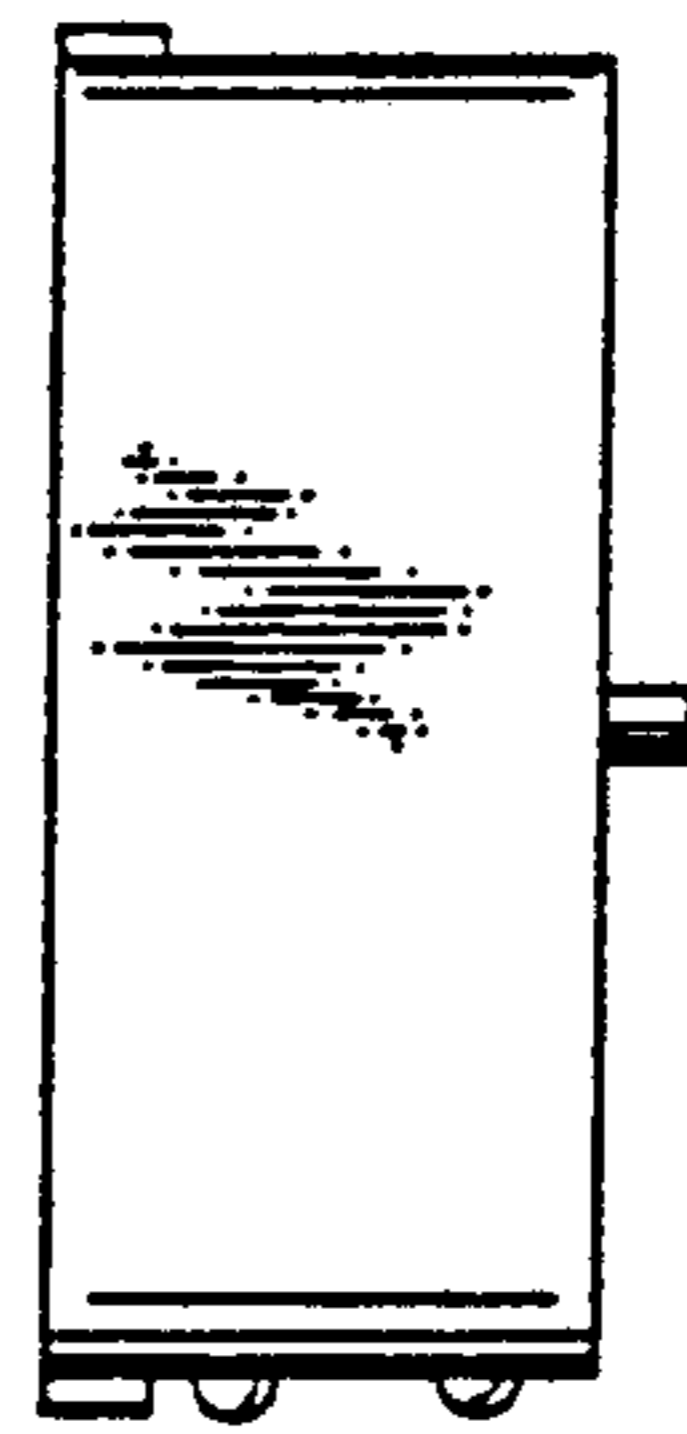


FIG. 7

