

[54] AUTOMATIC VENTILATOR

[75] Inventor: Thomas F. Fangrow, Jr., Corona, Calif.

[73] Assignee: Life Support Projects, Inc., Irvine, Calif.

[**] Term: 14 Years

[21] Appl. No.: 242,473

[22] Filed: Sep. 9, 1988

[52] U.S. Cl. D24/53

[58] Field of Search D24/53; 128/204.24, 128/204.26, 204.21, 204.23, 204.18, 205.24, 205.23; 137/101.11; D23/233, 235, 245

[56] References Cited

U.S. PATENT DOCUMENTS

D. 200,454	2/1965	Everitt	D23/245
3,267,935	8/1966	Andreasen et al.	128/204.23 X
4,197,843	4/1980	Bird	128/204.25 X
4,719,910	1/1988	Jensen	128/204.21

Primary Examiner—Stella Reid

Attorney, Agent, or Firm—Knobbe, Martens, Olson & Bear

[57] CLAIM

The ornamental design for an automatic ventilator, as shown and described.

DESCRIPTION

FIG. 1 is a top perspective view of an automatic ventilator showing my new design;

FIG. 2 is a top plan view thereof;

FIG. 3 is a front elevational view thereof, the rear elevational view being a mirror image;

FIG. 4 is a left end elevational view thereof;

FIG. 5 is a right end elevational view thereof;

FIG. 6 is a bottom plan view thereof;

FIG. 7 is a top perspective view of another embodiment of my new design;

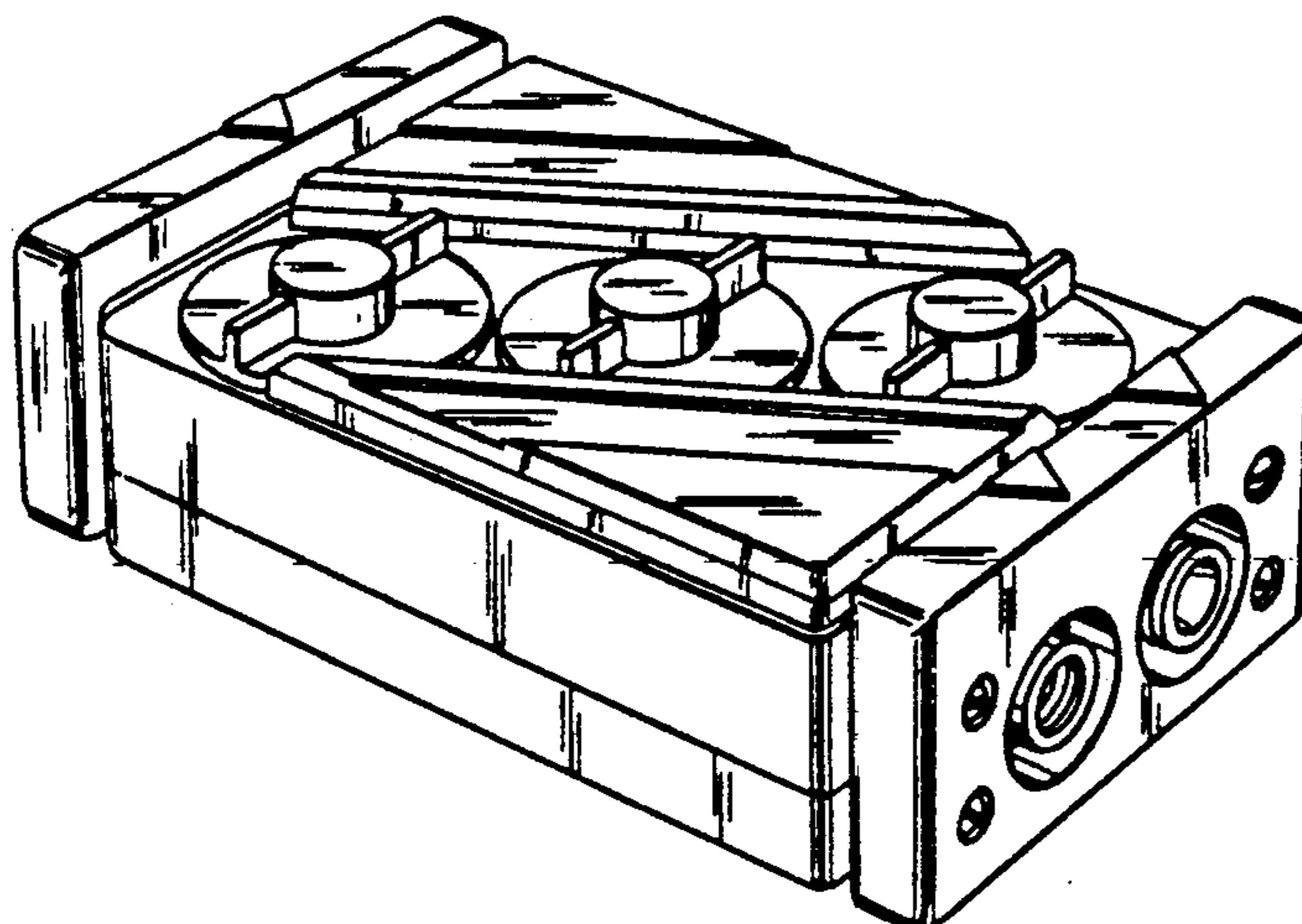
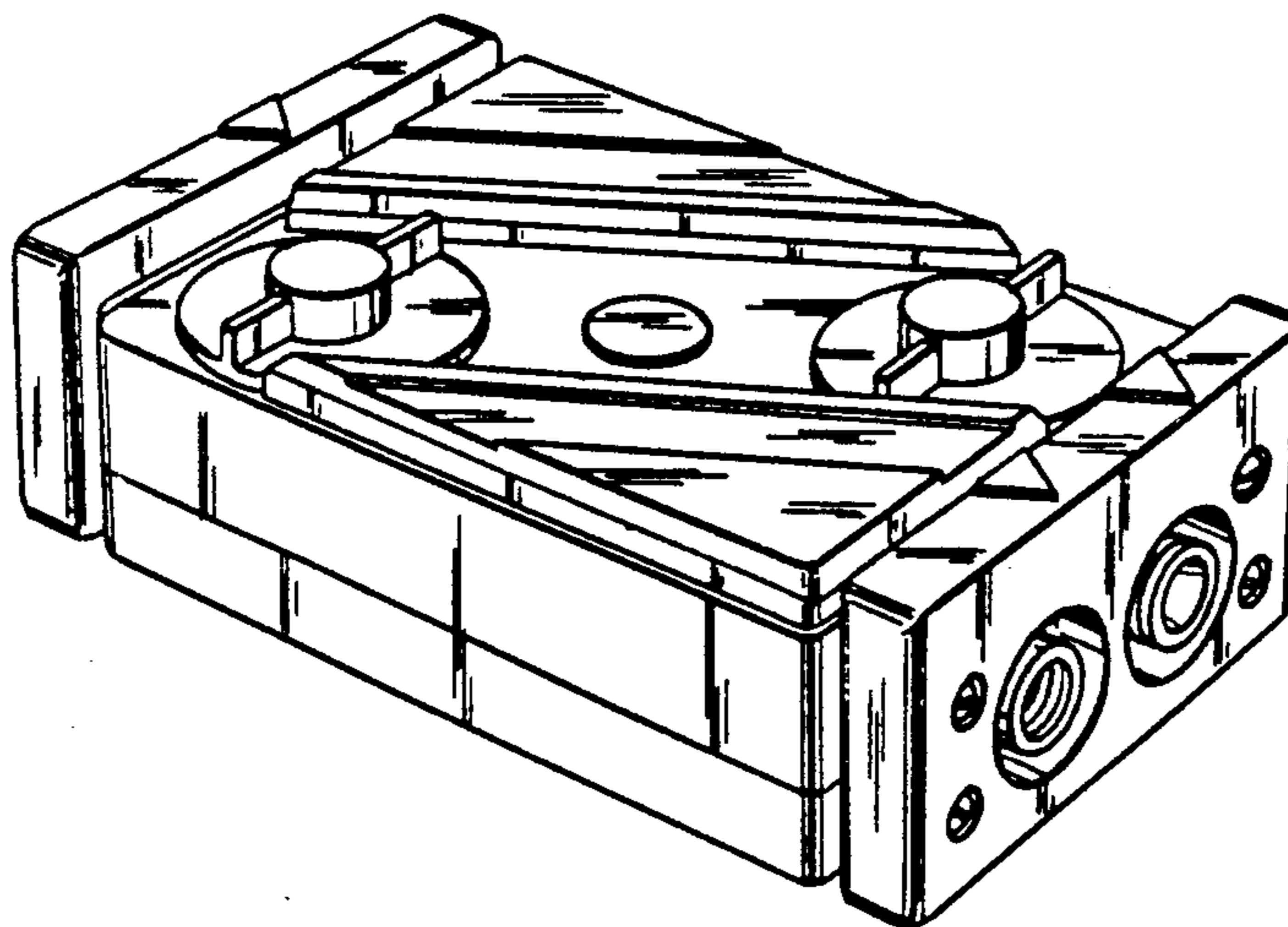
FIG. 8 is a top plan view thereof;

FIG. 9 is a front elevational view thereof, the rear elevational view being a mirror image;

FIG. 10 is a left end elevational view thereof;

FIG. 11 is a right end elevational view thereof; and

FIG. 12 is a bottom plan view thereof.



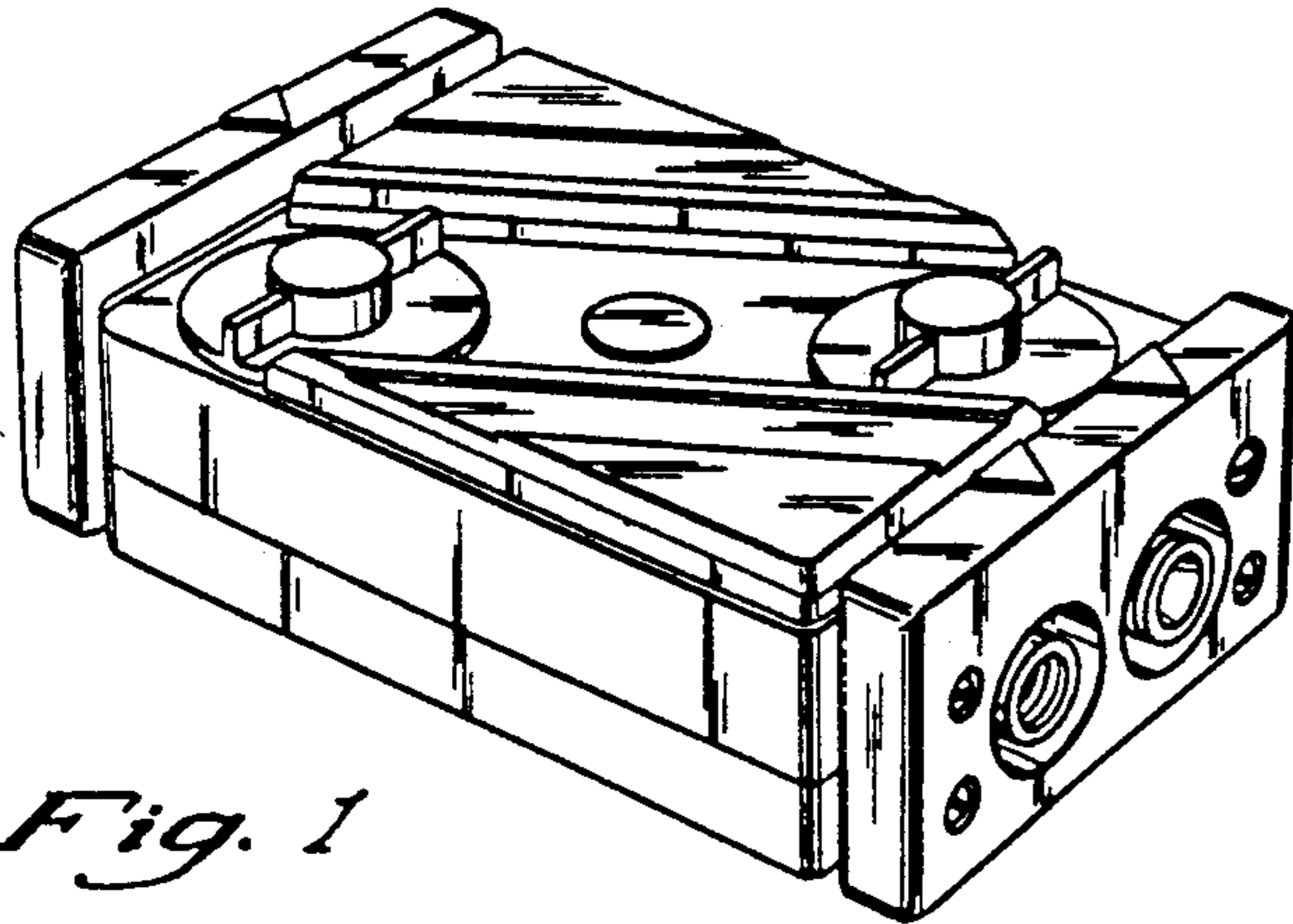


Fig. 1

Fig. 2

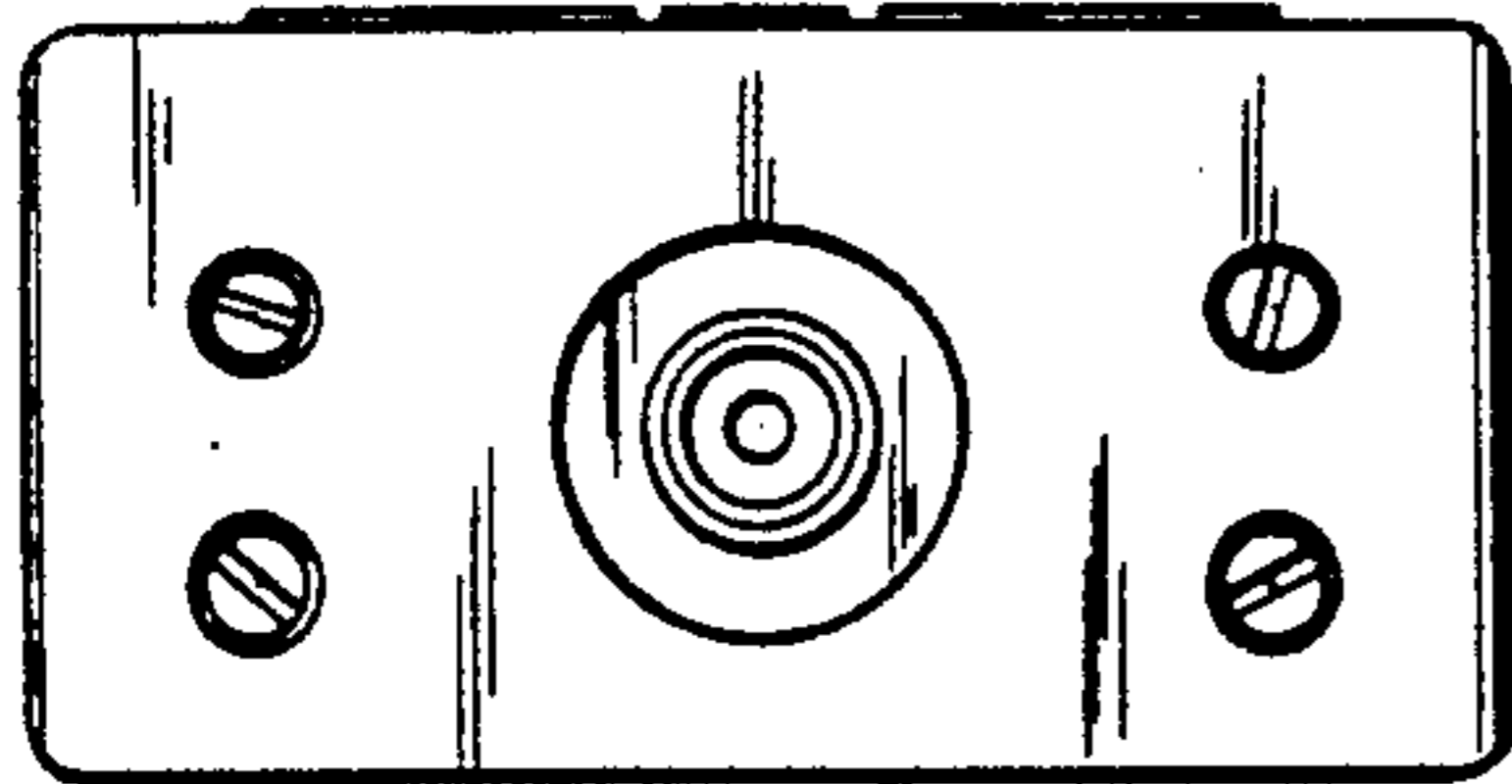
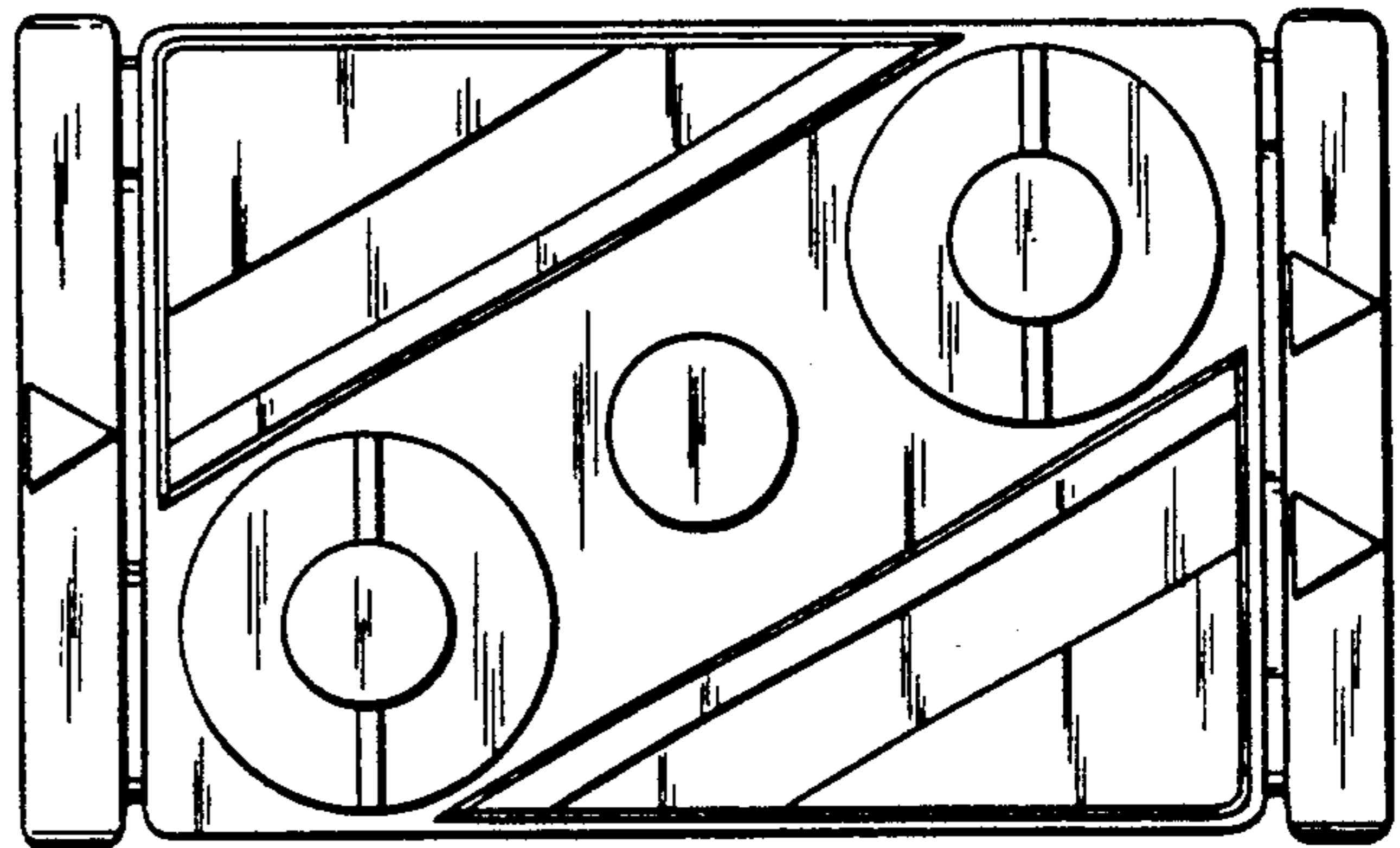


Fig. 4

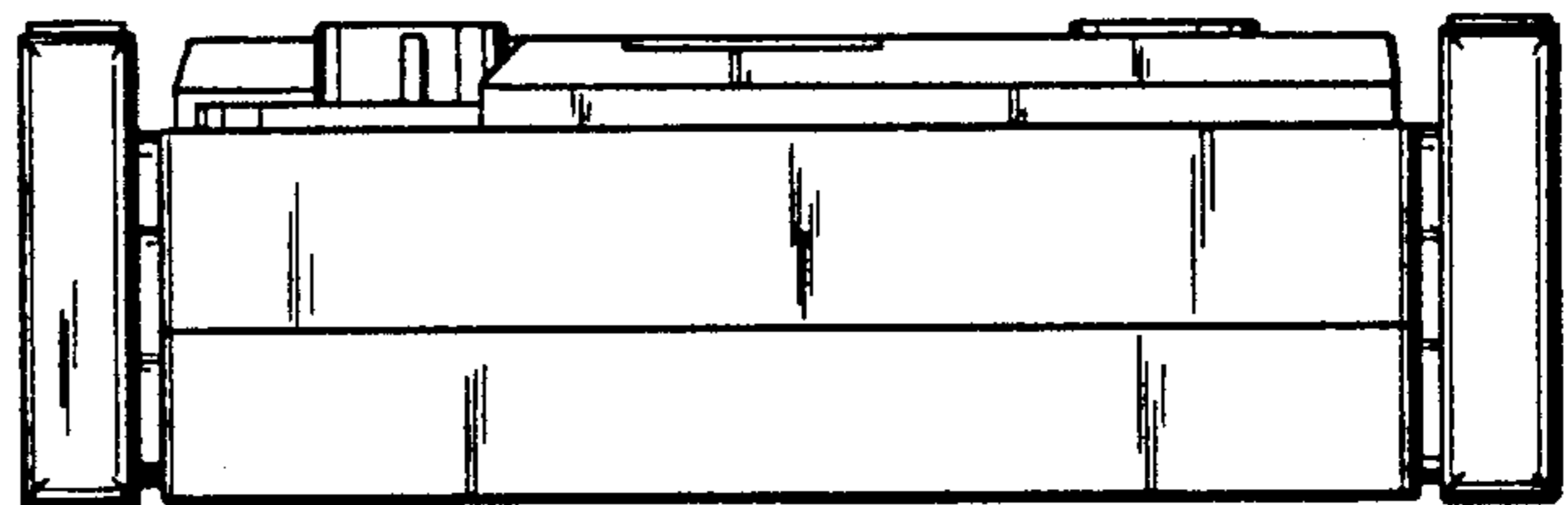


Fig. 3

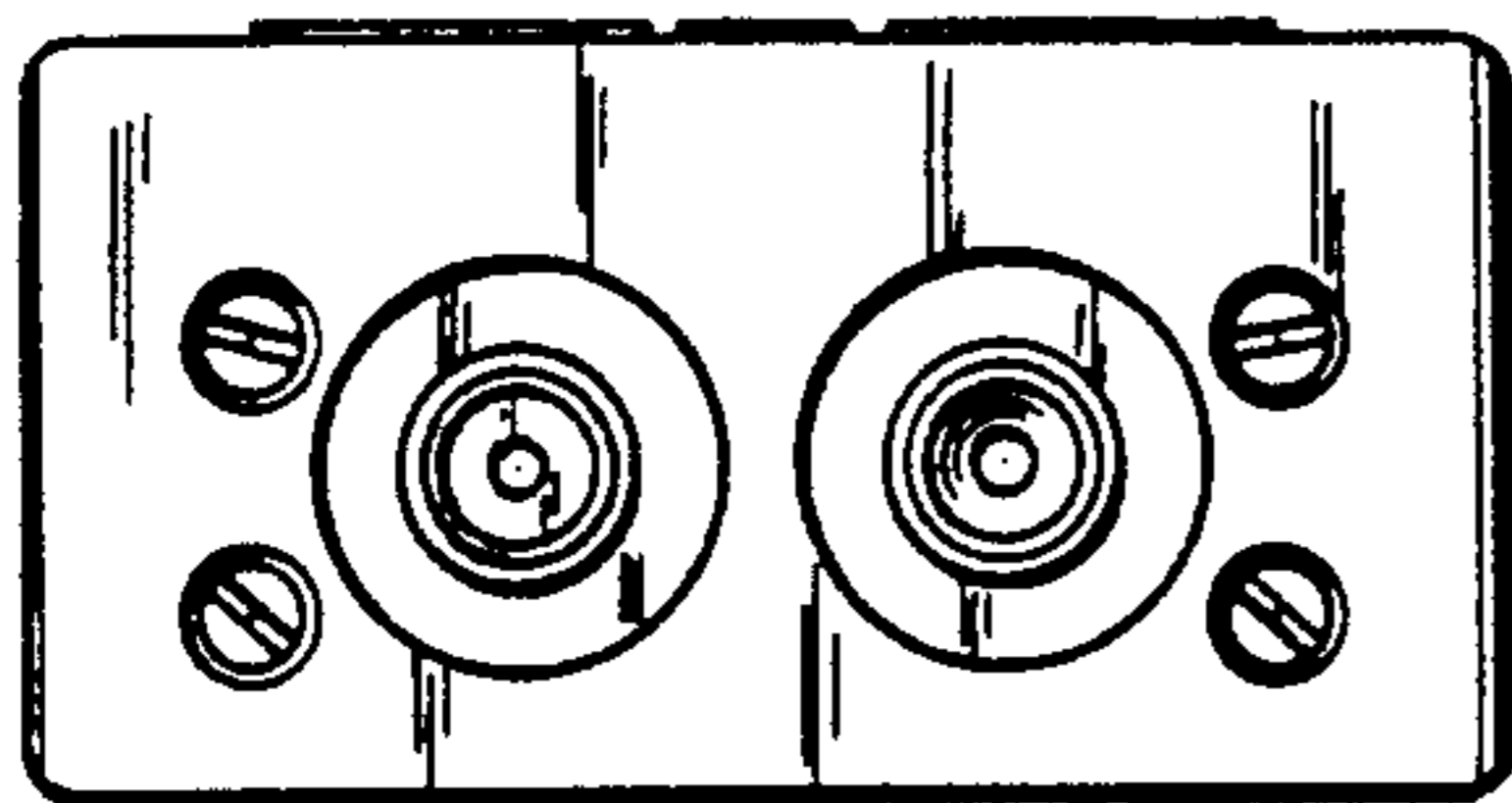


Fig. 5



Fig. 6

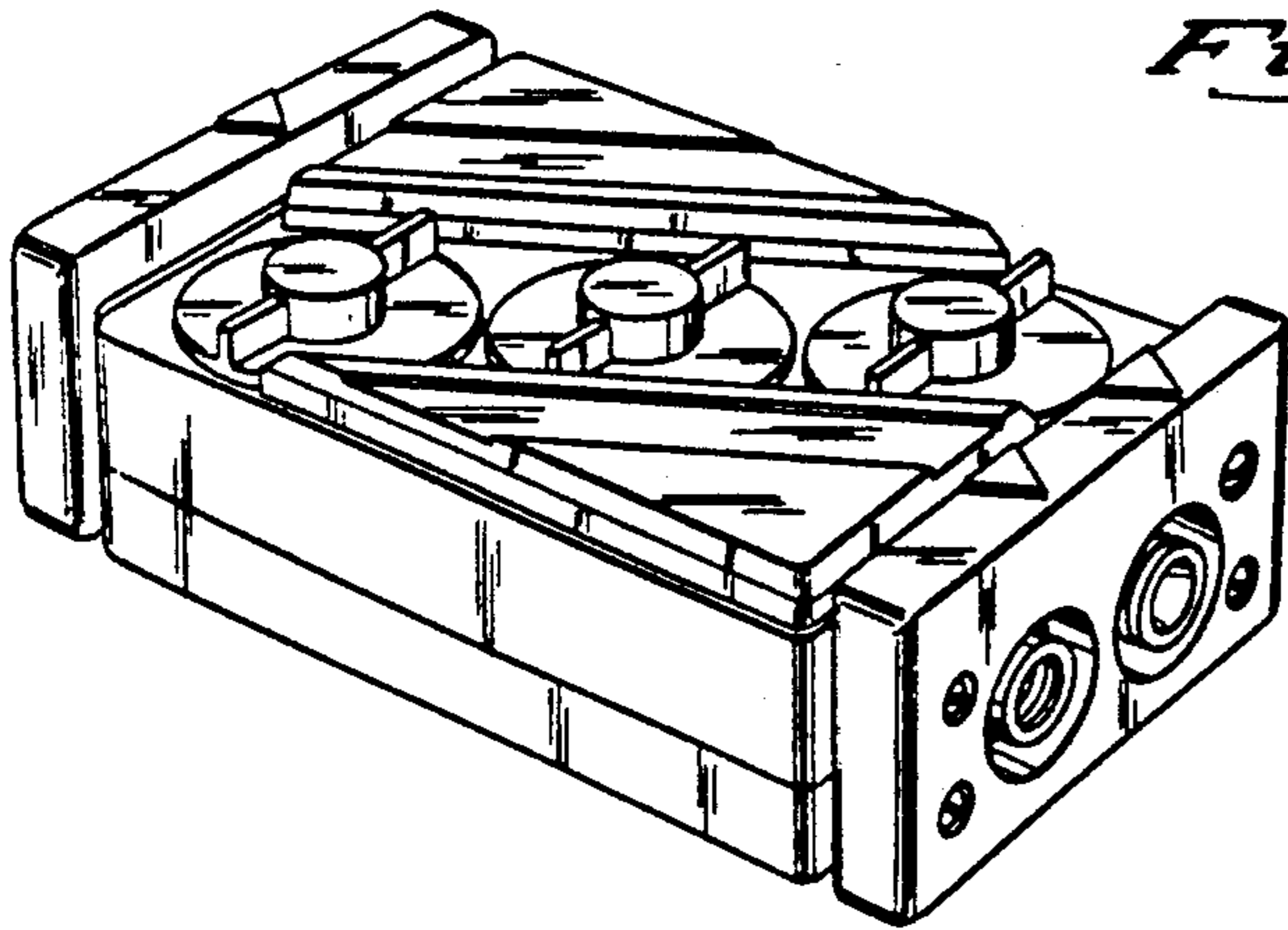


Fig. 7

Fig. 8

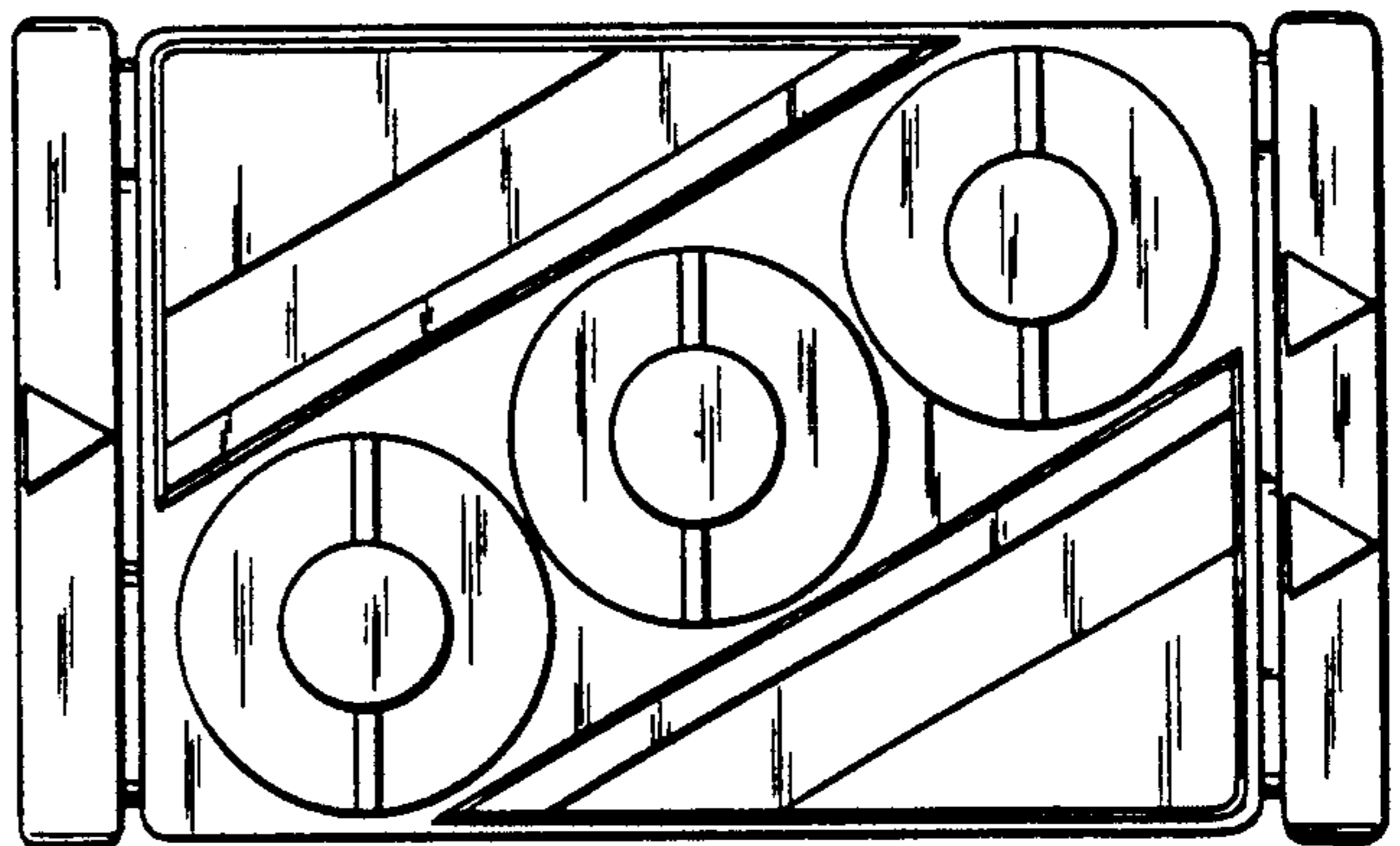


Fig. 10

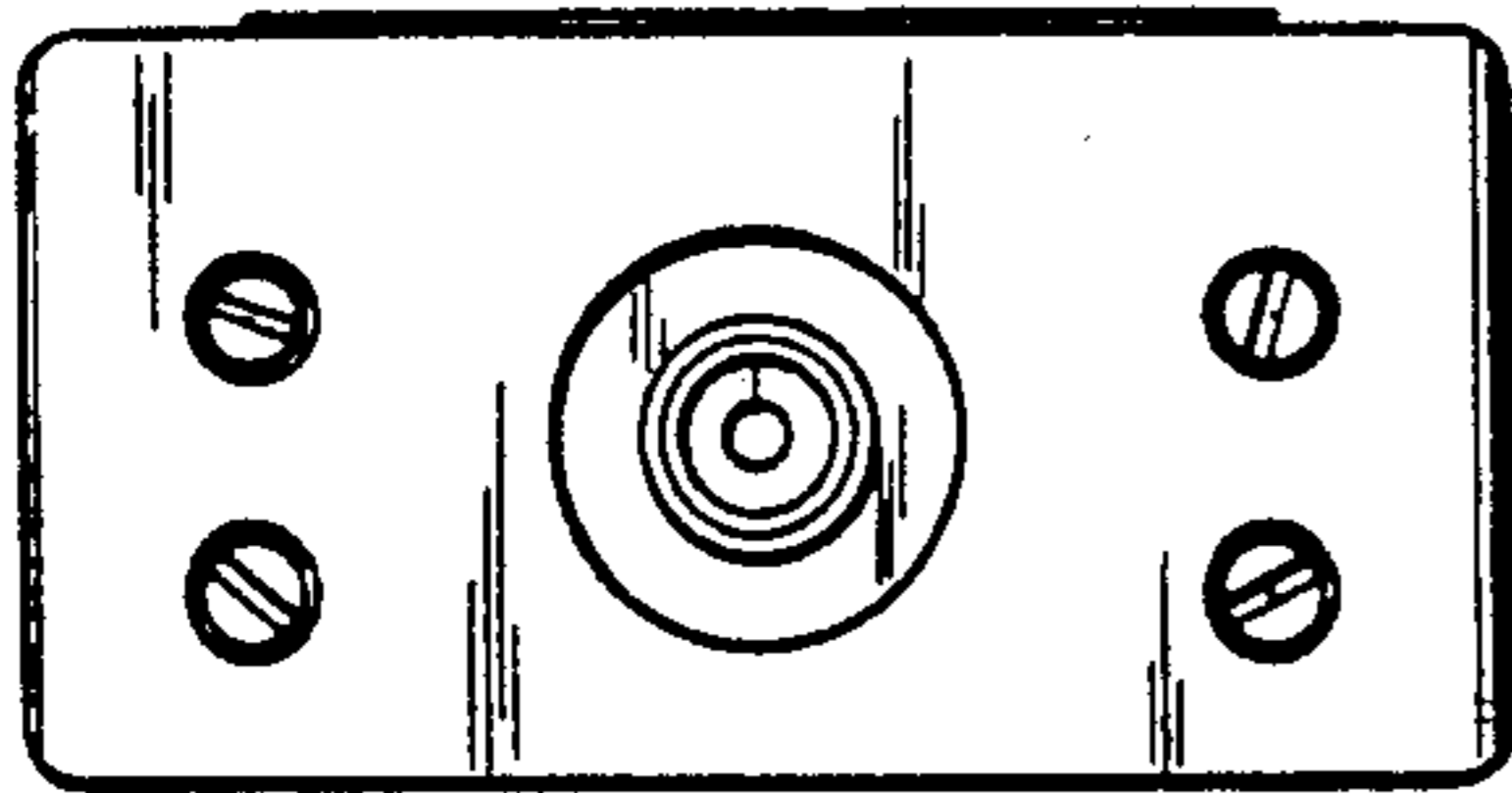


Fig. 9

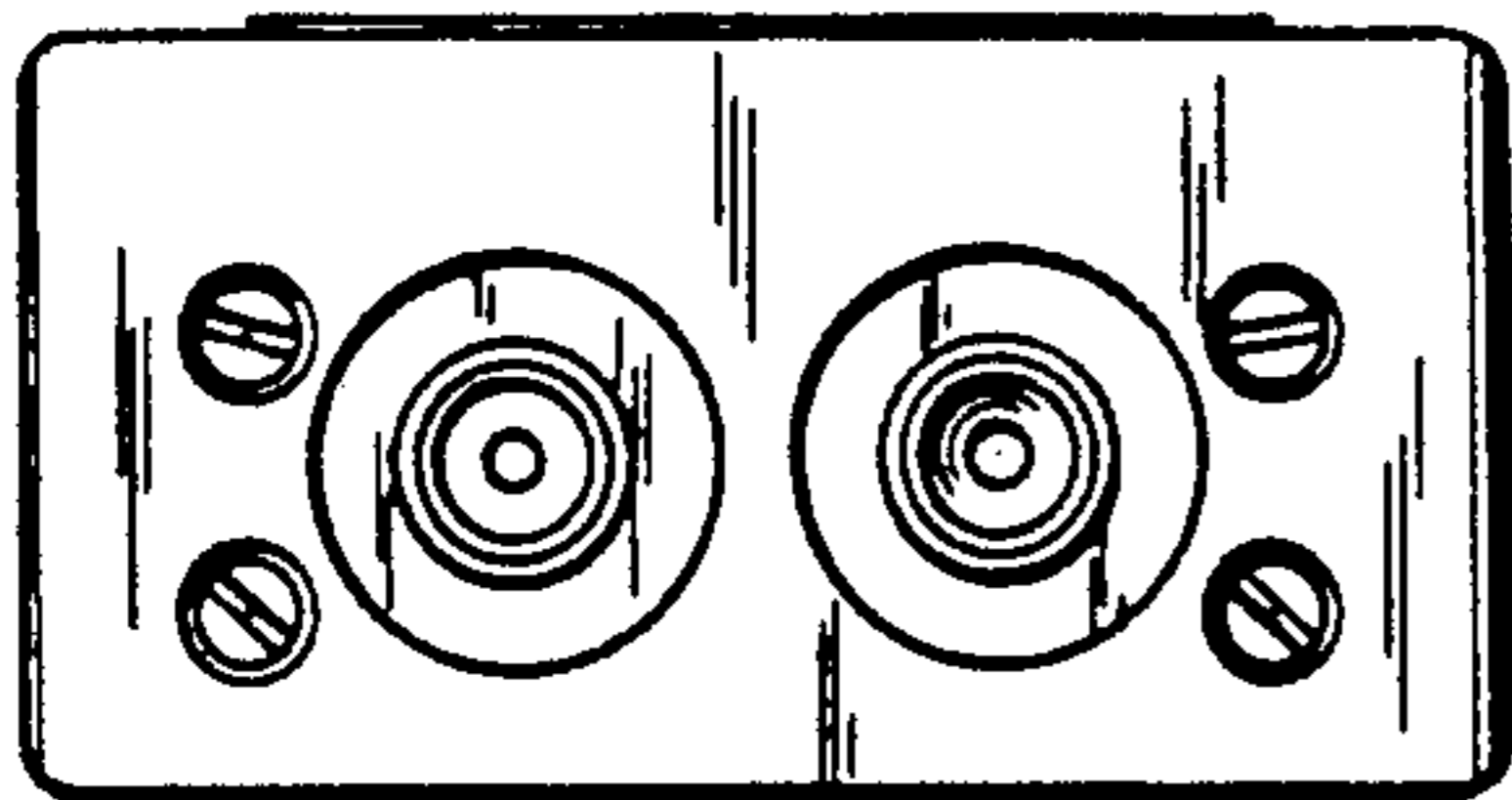
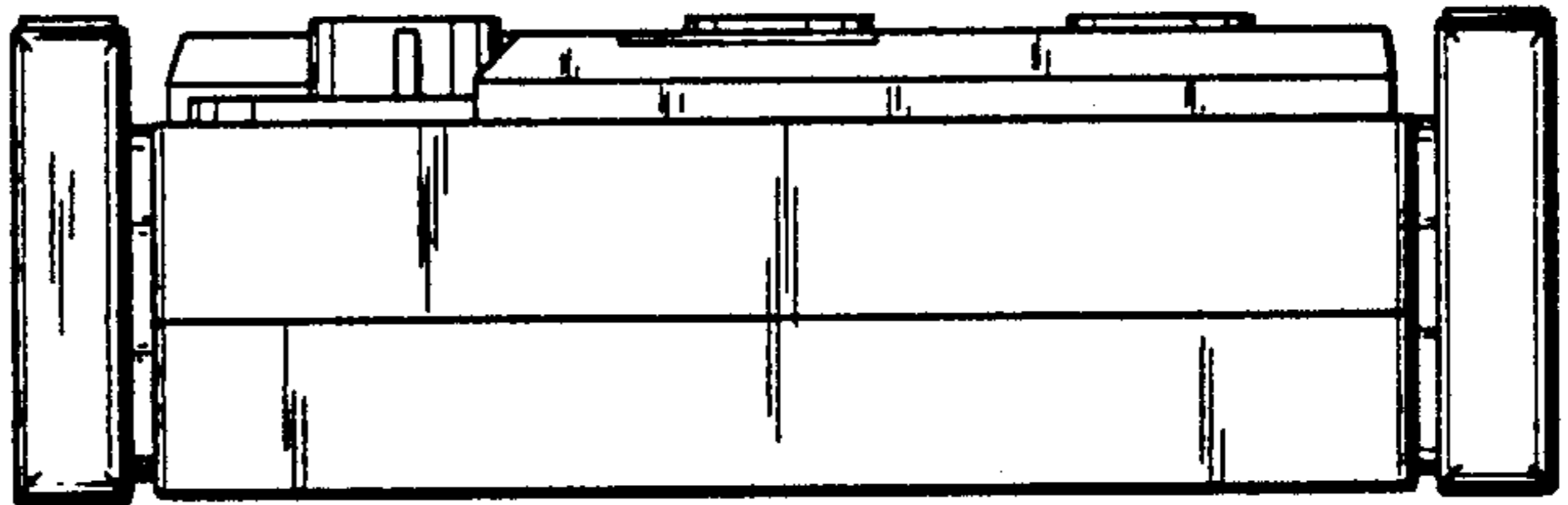


Fig. 11

Fig. 12

