

[54] VENTILATOR FOR VEHICLE BODIES

[76] Inventor: Charles J. Sauber, 10 N. Sauber Rd., Virgil, Ill. 60182

[\*\*] Term: 14 Years

[21] Appl. No.: 412,877

[22] Filed: Sep. 26, 1989

3,159,090 12/1964 Schutt ..... 98/40.05  
4,270,227 6/1981 Wolfe ..... 2/DIG. 1  
4,741,256 5/1988 Huang ..... 98/2.14

Primary Examiner—James M. Gandy  
Assistant Examiner—Lisa Lichtenstein  
Attorney, Agent, or Firm—Leydig, Voit & Mayer

[57] CLAIM

The ornamental design for a ventilator for vehicle bodies, as shown.

Related U.S. Application Data

[62] Division of Ser. No. 337,490, Apr. 13, 1989, Pat. No. 4,909,134.

[52] U.S. Cl. .... D23/324

[58] Field of Search ..... D23/324, 325; 98/1, 98/40.05, 2, 2.14, 2.18, 6, 8, 13, 14, 51, 52, 55, 64, 37; 2/DIG. 1

[56] References Cited

U.S. PATENT DOCUMENTS

D. 184,708	3/1959	Burke	.....	D23/324
2,119,905	6/1938	Crawford	.....	98/2.18
2,223,709	12/1940	Wickstrom et al.	.....	98/2.18
2,644,609	7/1953	Foss	.....	98/37
2,970,456	2/1961	Rice	.....	D23/325
3,012,812	12/1961	Miller, Jr.	.....	98/2.18

DESCRIPTION

FIG. 1 is a perspective view of a ventilator for vehicle bodies showing my new design.

FIG. 2 is a front elevation view thereof taken in the direction of the line 2—2 in FIG. 1.

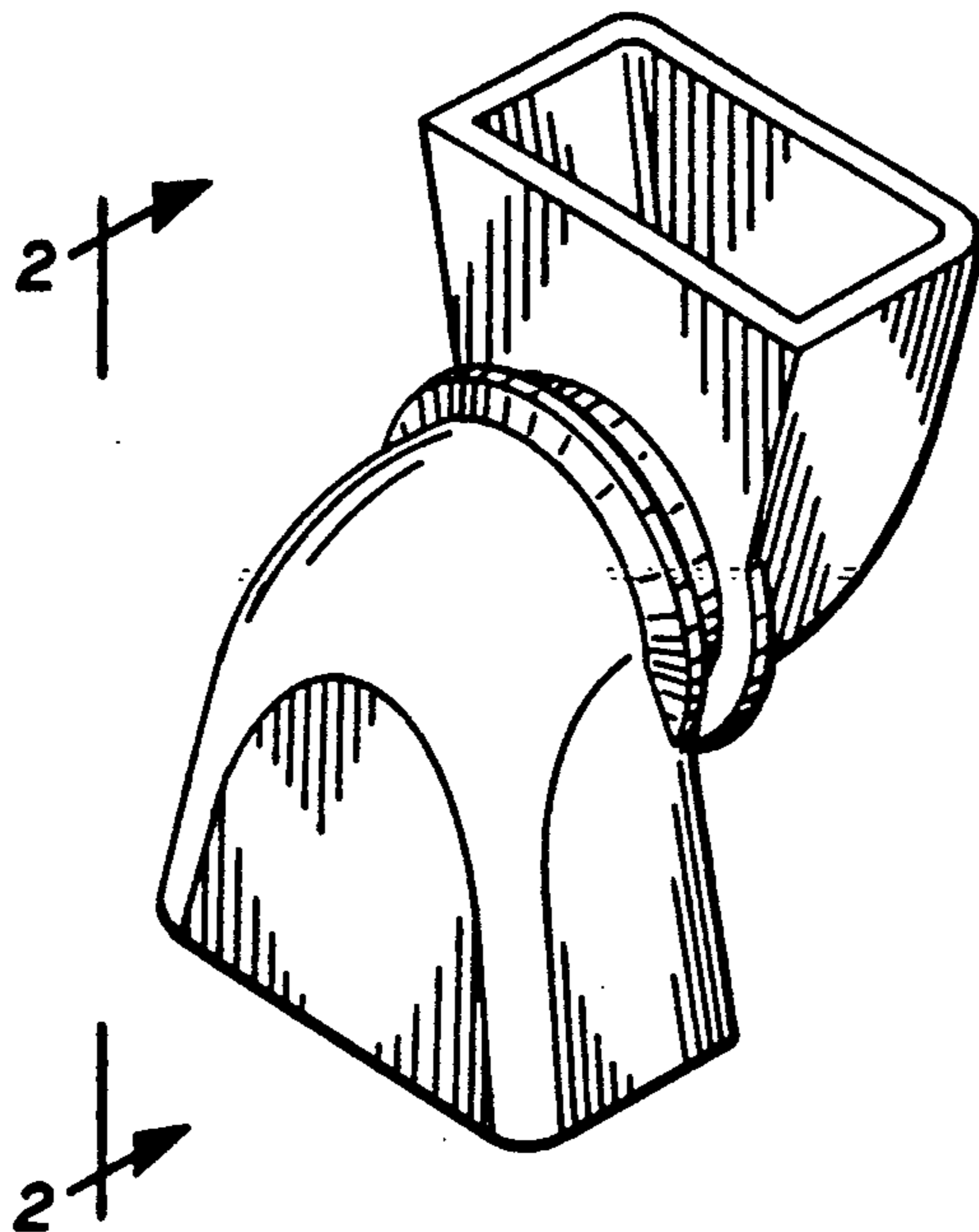
FIG. 3 is a right side elevation view thereof taken in the direction of the line 3—3 in FIG. 2.

FIG. 4 is a rear elevation view thereof taken in the direction of the line 4—4 in FIG. 3.

FIG. 5 is a left side elevation view thereof taken in the direction of the line 5—5 in FIG. 4.

FIG. 6 is a top plan view thereof taken in the direction of the line 6—6 in FIG. 2.

FIG. 7 is a bottom plan view thereof taken in the direction of the line 7—7 in FIG. 4.



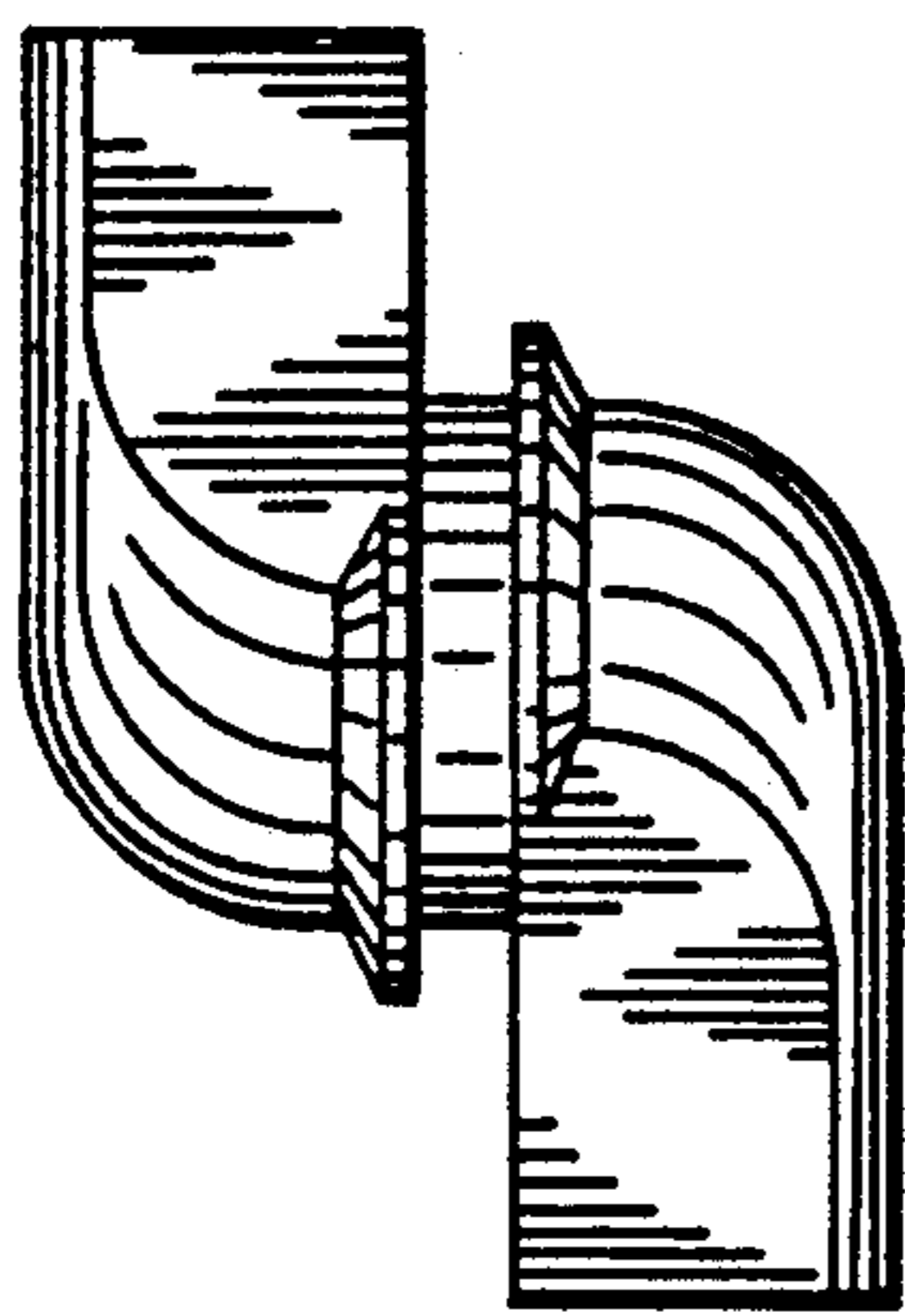
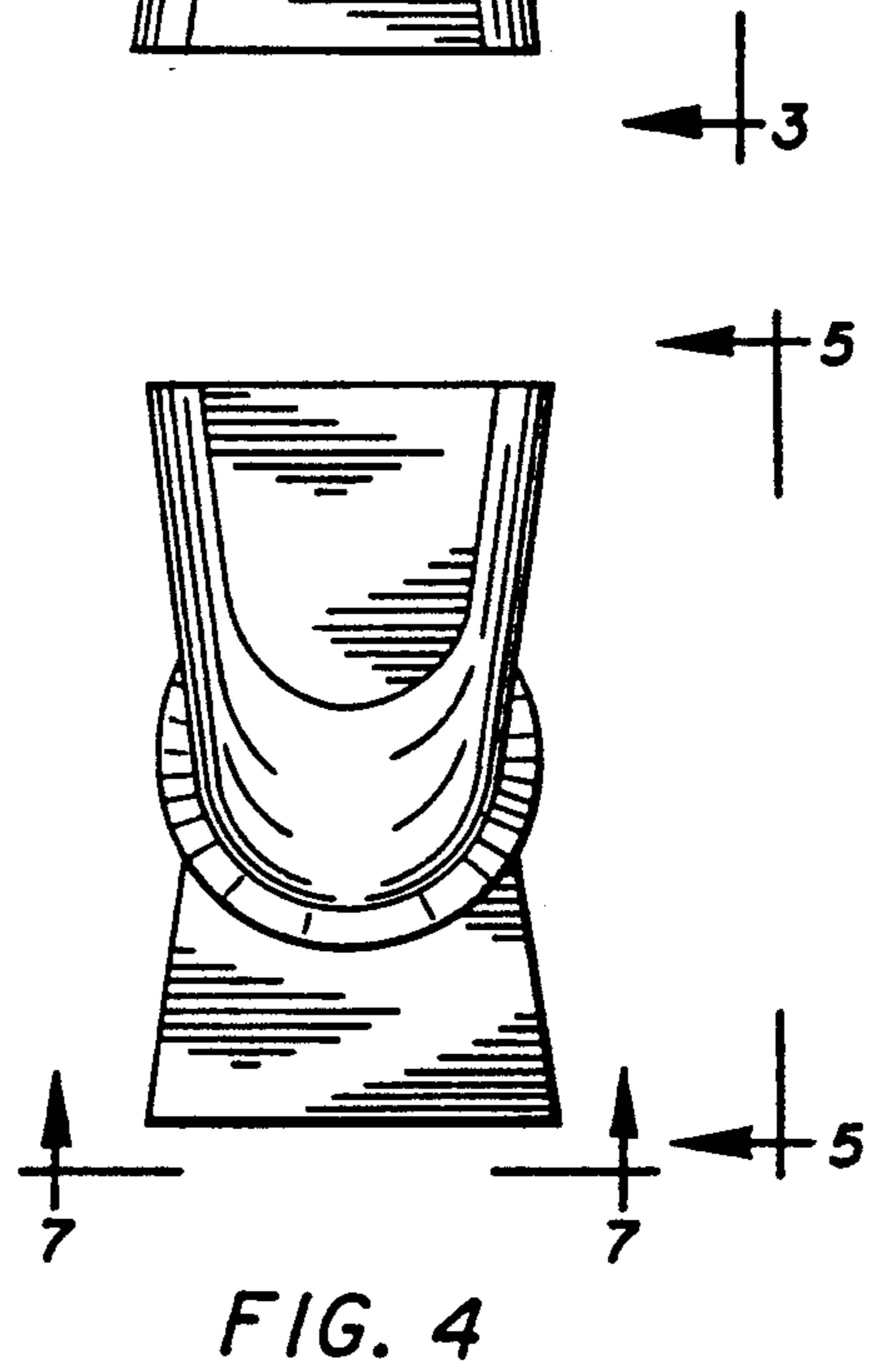
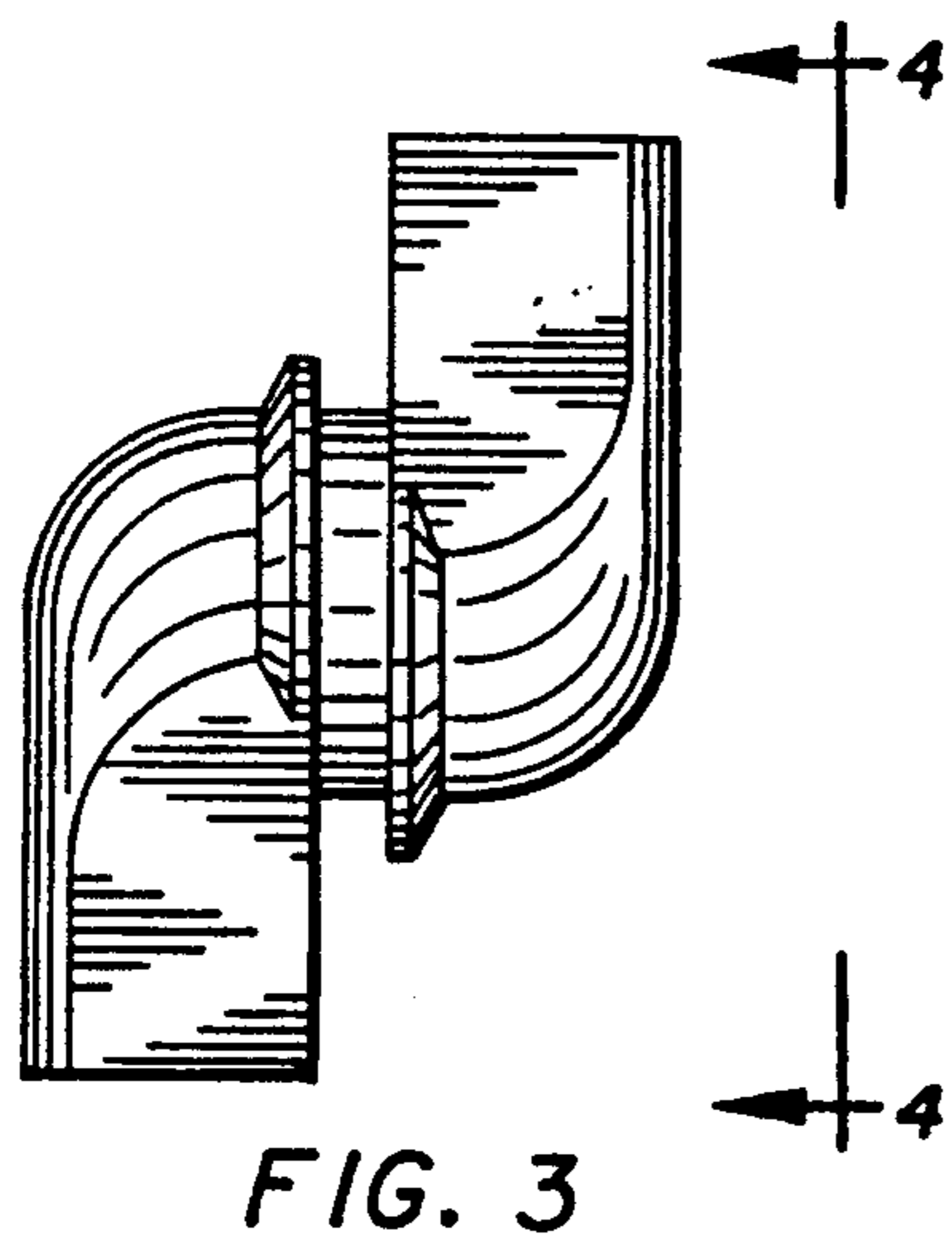
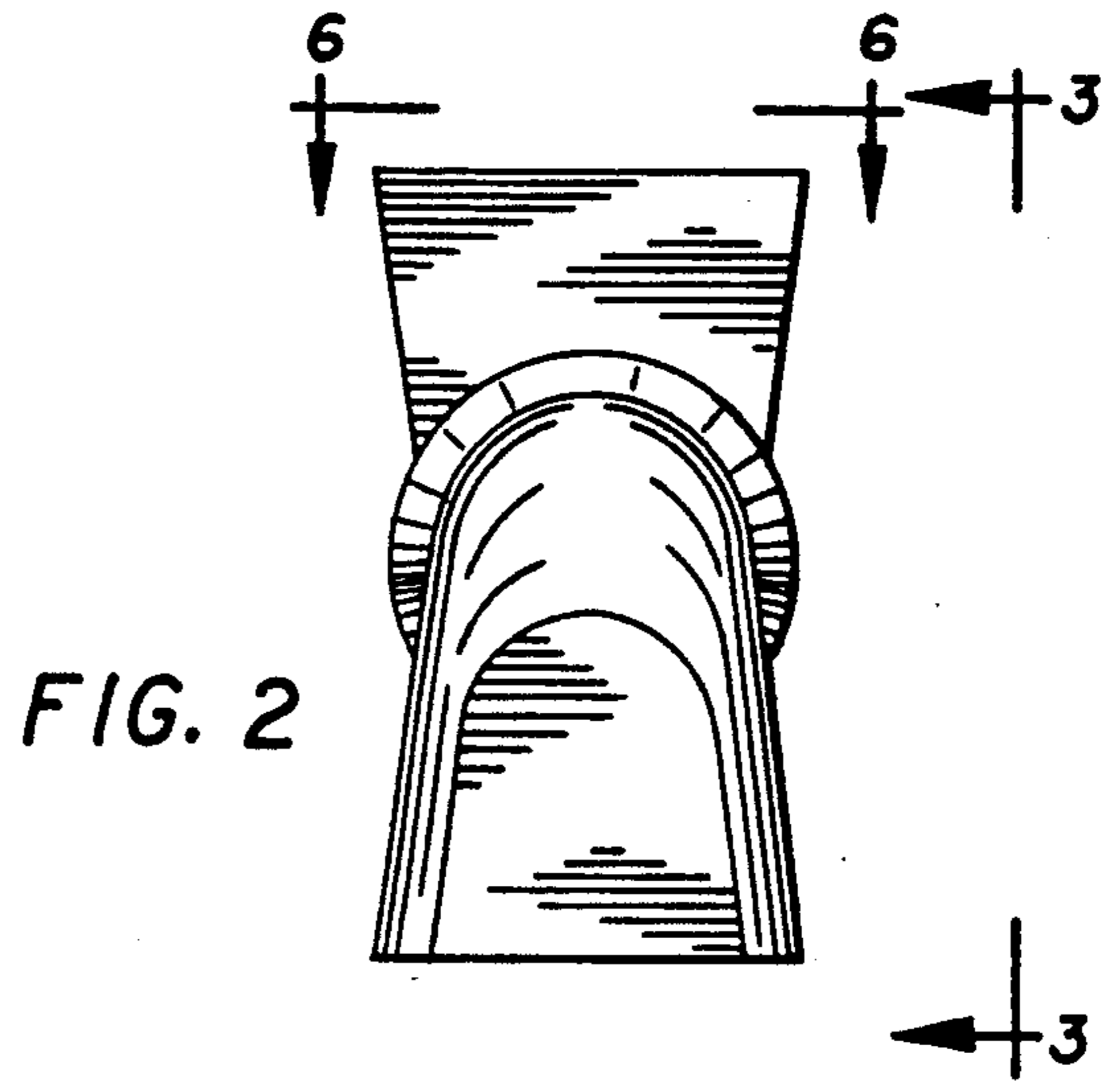
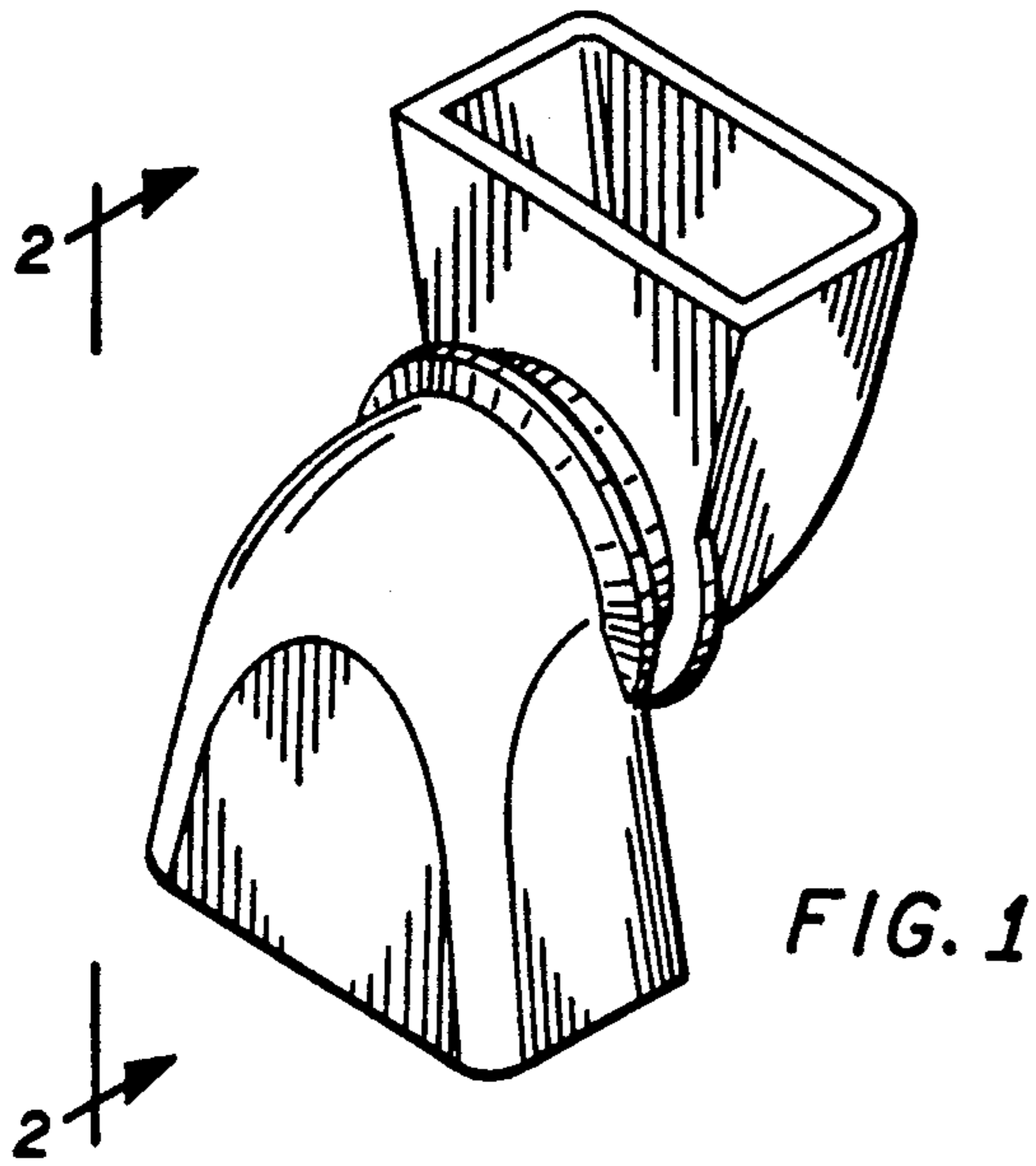


FIG. 5

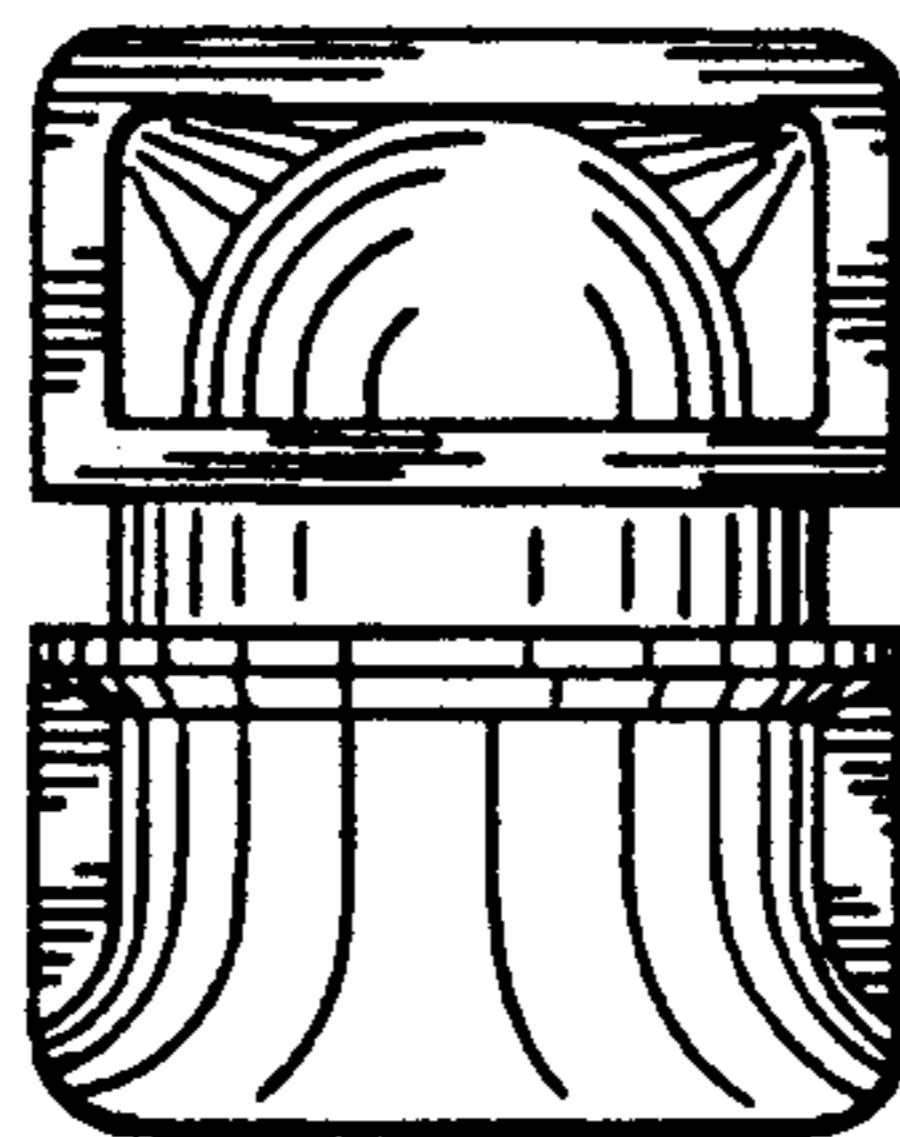


FIG. 6

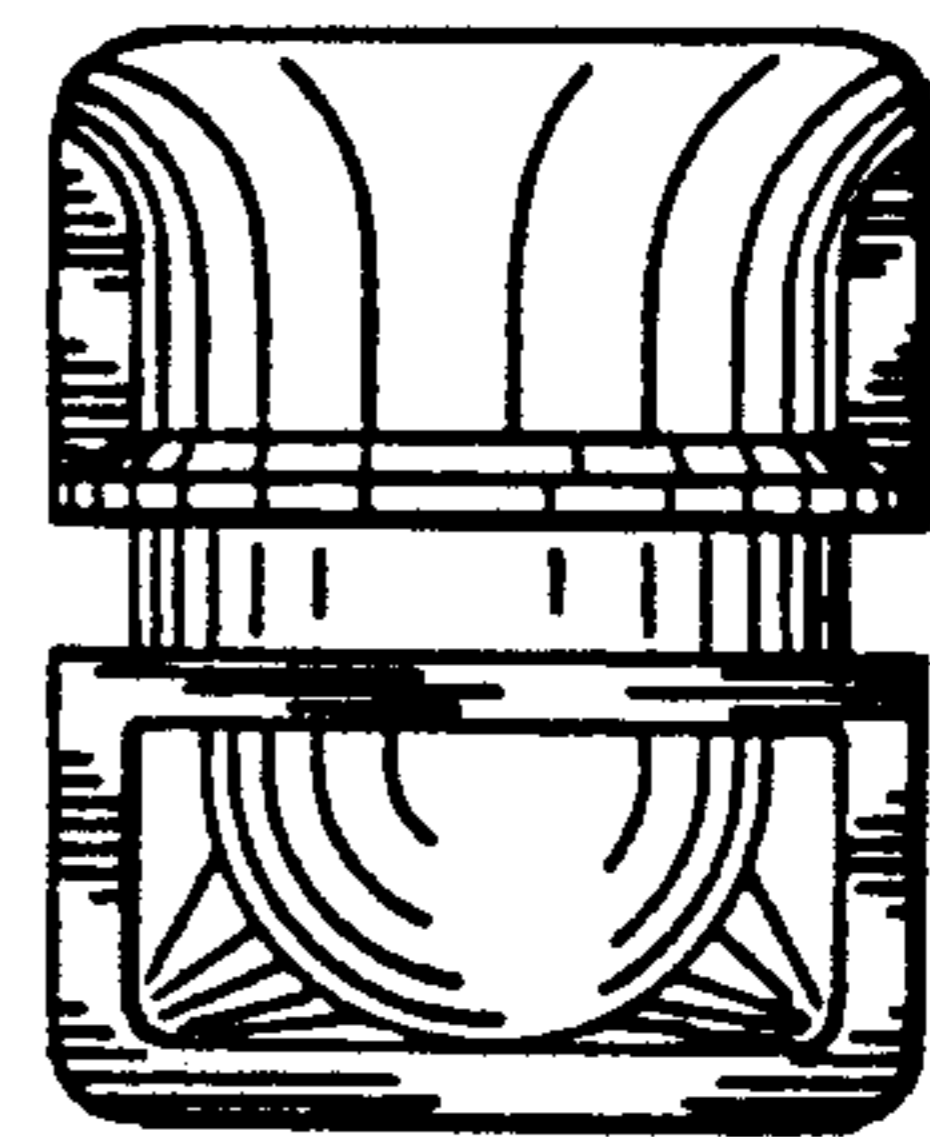


FIG. 7