

[54] **GARDEN SPRINKLER**
[76] **Inventor: LeRoy D. Stucky, 207 Fescue Dr.,
Inman, Kans. 67546**
[**] **Term: 14 Years**
[21] **Appl. No.: 245,539**
[22] **Filed: Sep. 19, 1988**
[52] **U.S. Cl. D23/215**
[58] **Field of Search D23/213-221;
239/200-206, 211, 230-233, 273, 275, 276, 505,
518-524, 556, 557, 222.11, 222.13, 222.15,
222.17, 222.19, 222.21, 223, 288, 288.3, 288.5,
390-392, 493-494, 456, 468, 558, DIG. 1;
D15/7, 9.1; 166/75.1, 67, 68**

[56] **References Cited**
U.S. PATENT DOCUMENTS
D. 265,578 7/1982 Gillespie et al. D23/215

D. 303,263 9/1989 Yeatts et al. D15/7
2,773,551 12/1956 Warden et al. 166/67 X
4,550,876 11/1985 Kulesza et al. D23/215 X

Primary Examiner—Susan J. Lucas
Assistant Examiner—M. H. Tung
Attorney, Agent, or Firm—Hovey, Williams, Timmons & Collins

[57] **CLAIM**
The ornamental design for a garden sprinkler, as shown.

DESCRIPTION
FIG. 1 is a left front perspective view of a garden sprinkler showing my new design;
FIG. 2 is a front elevational view thereof;
FIG. 3 is a rear elevational view thereof; and
FIG. 4 is a bottom plan view thereof;
FIG. 5 is a top plan view thereof, on an enlarged scale;
FIG. 6 is a right side elevational view thereof, on an enlarged scale.

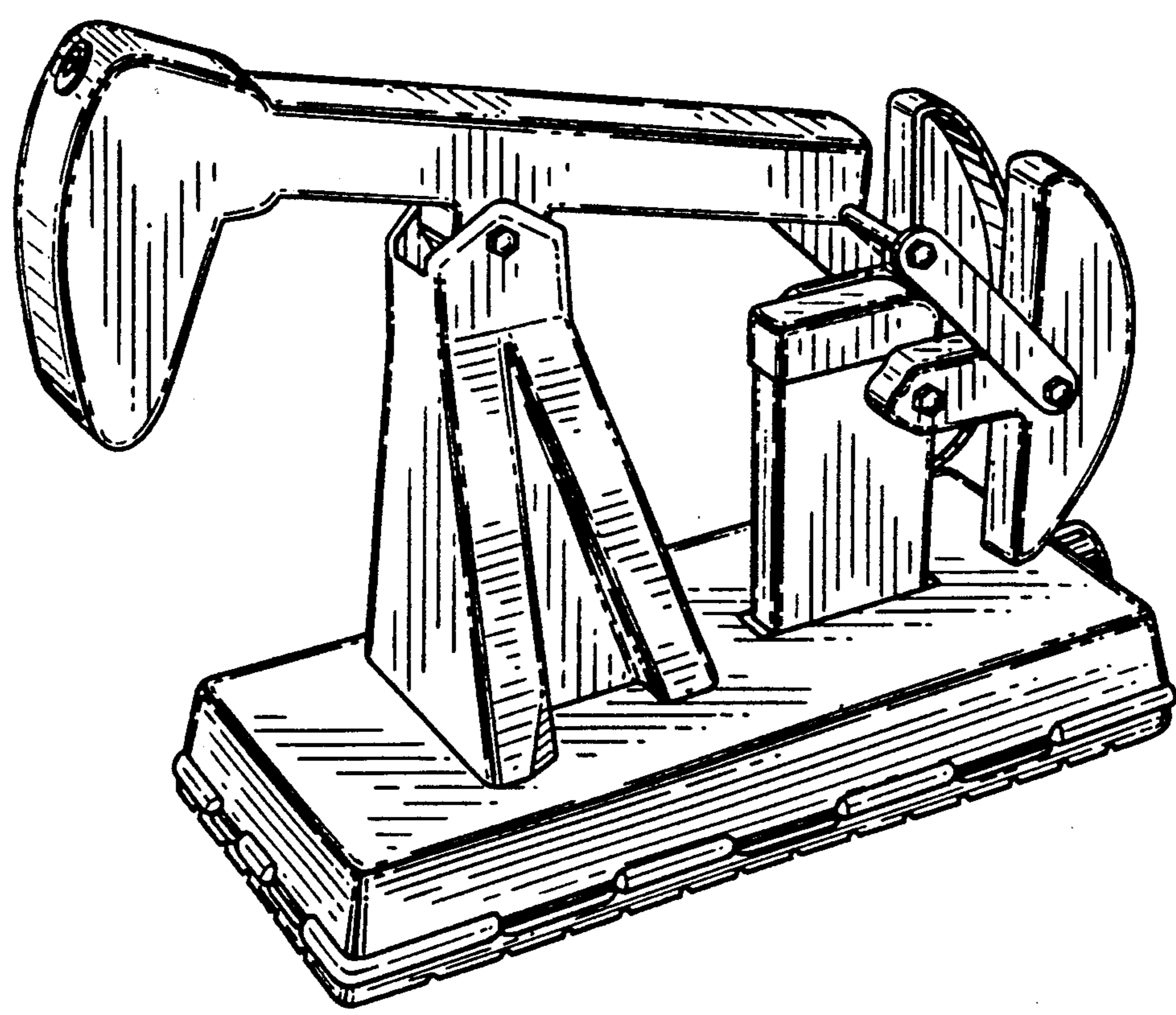


FIG. 2.

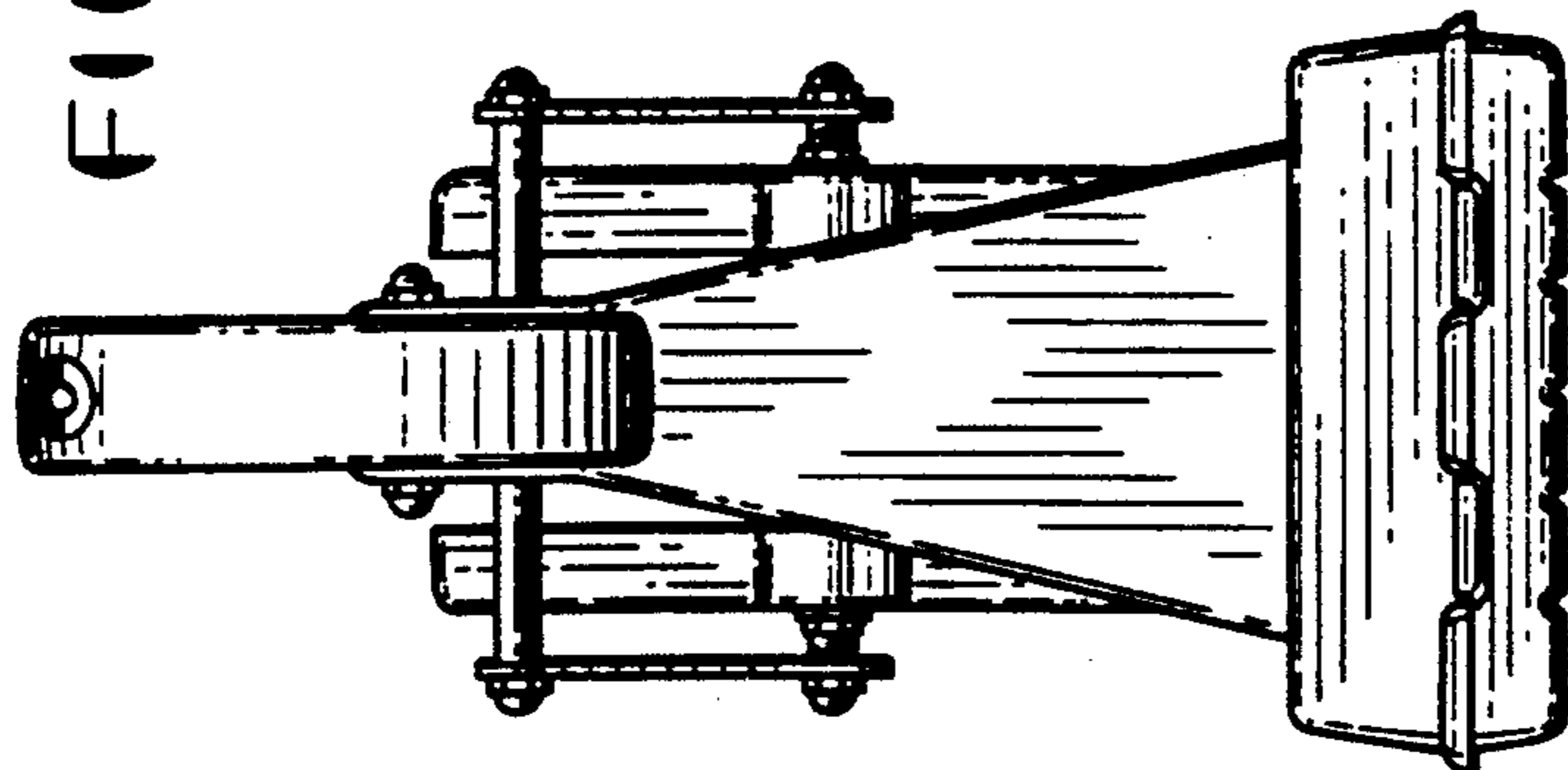


FIG. 3.

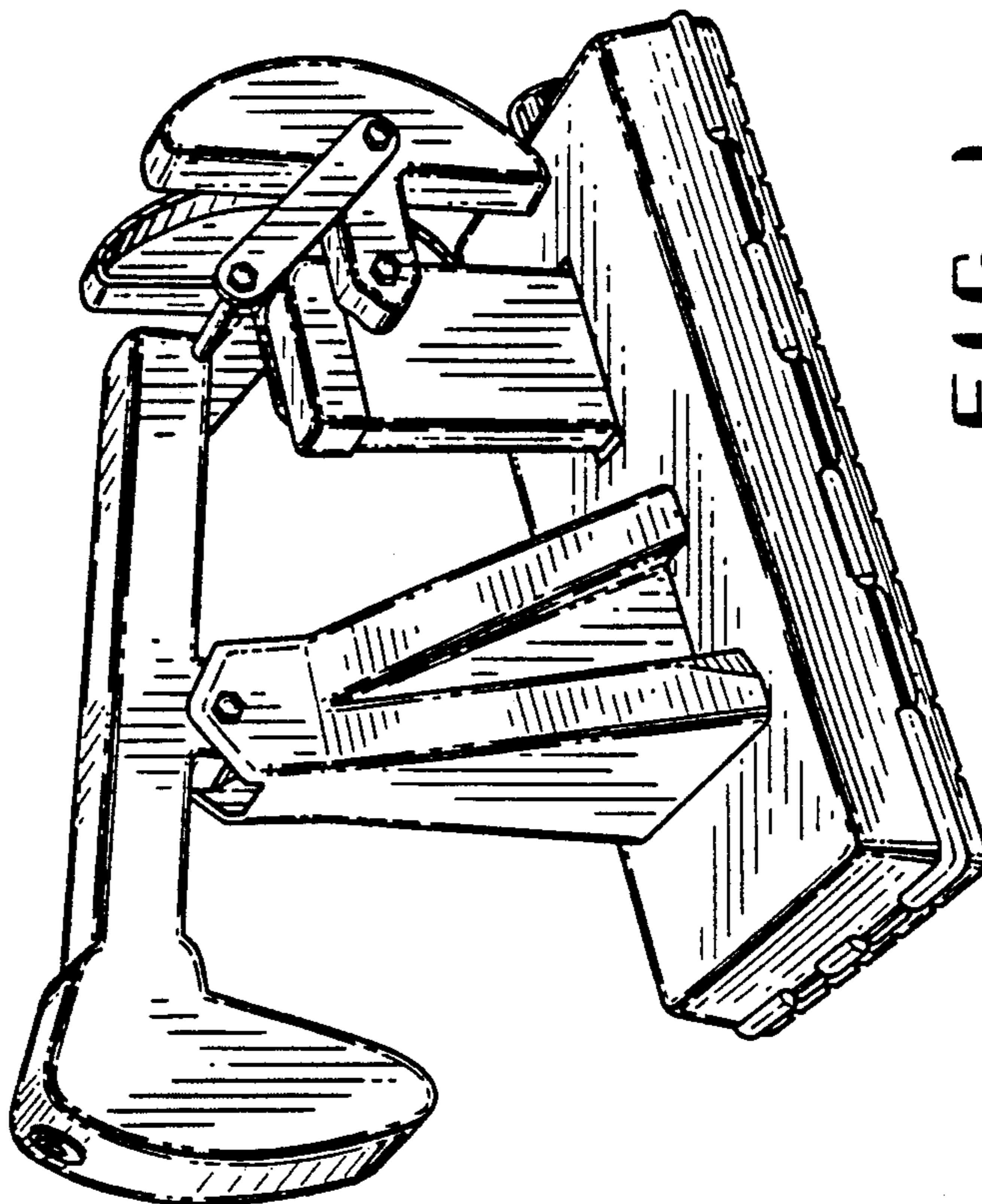
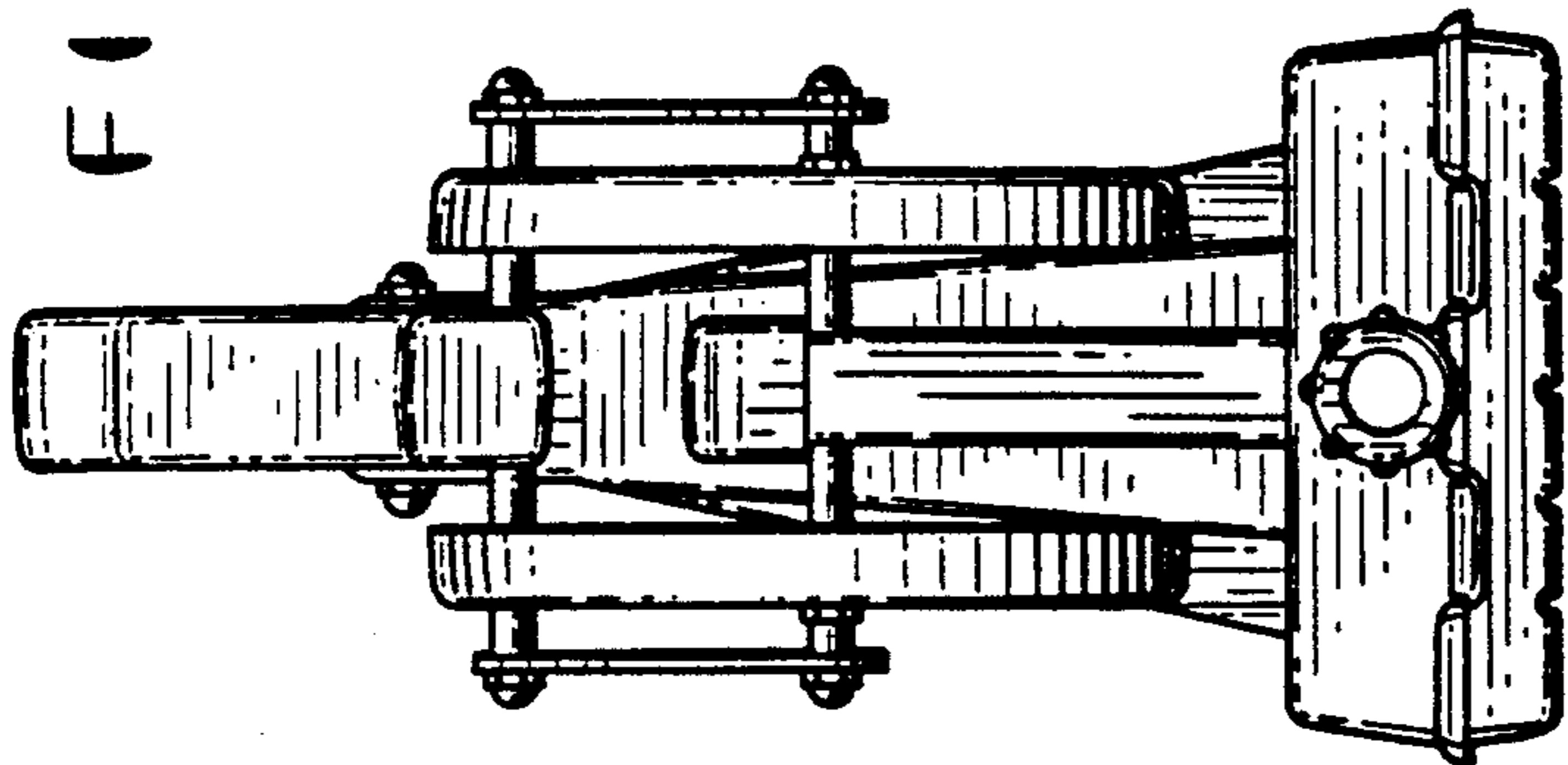
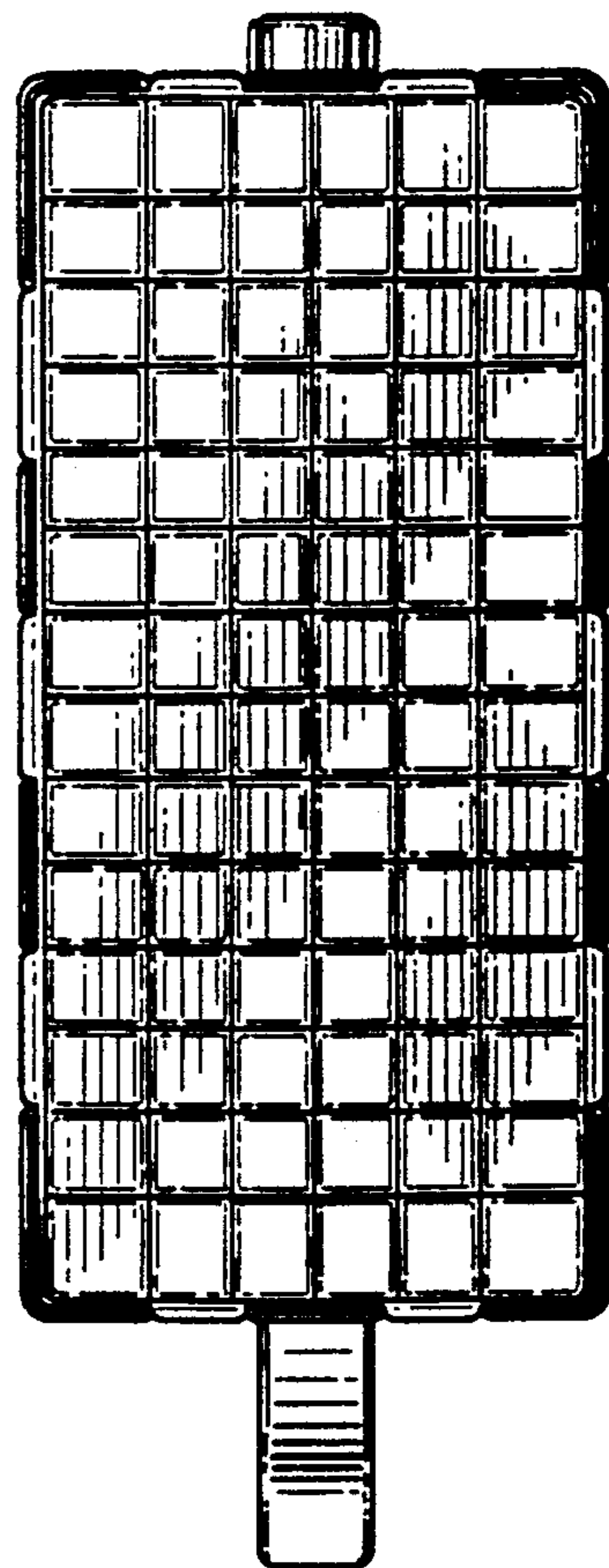


FIG. 1.

FIG. 4.



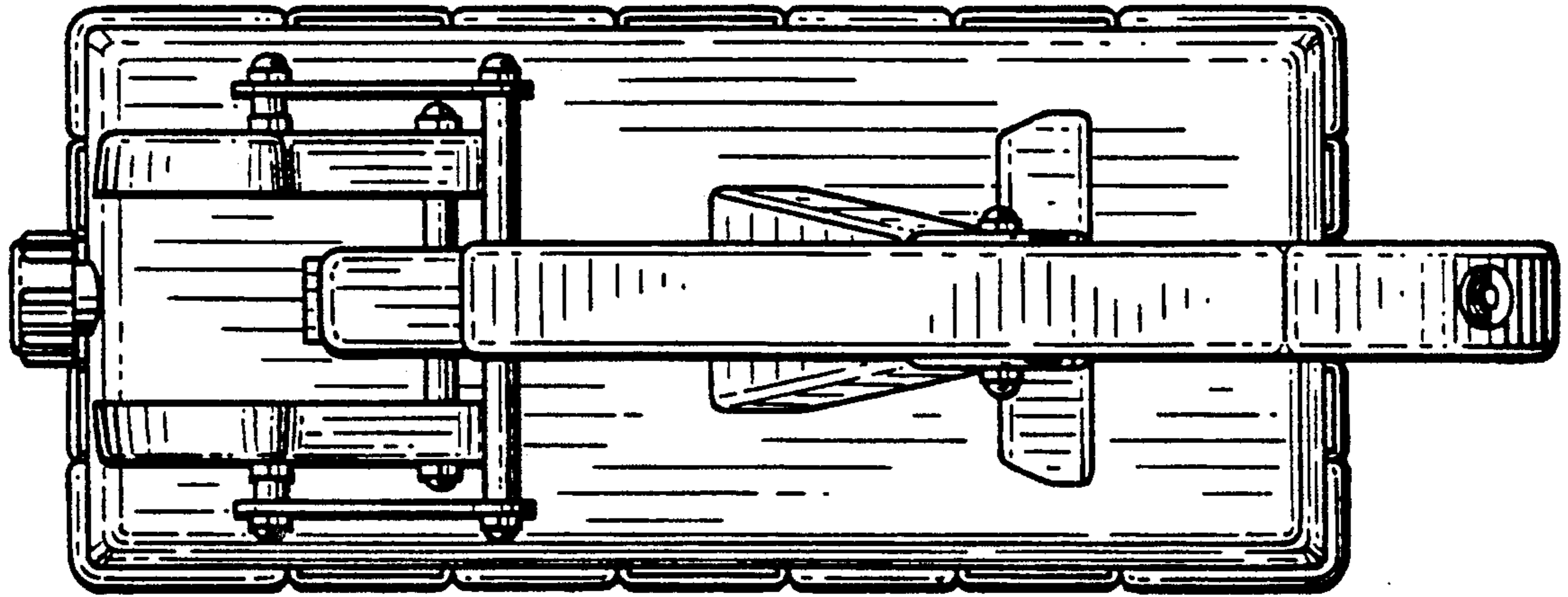


FIG. 5.

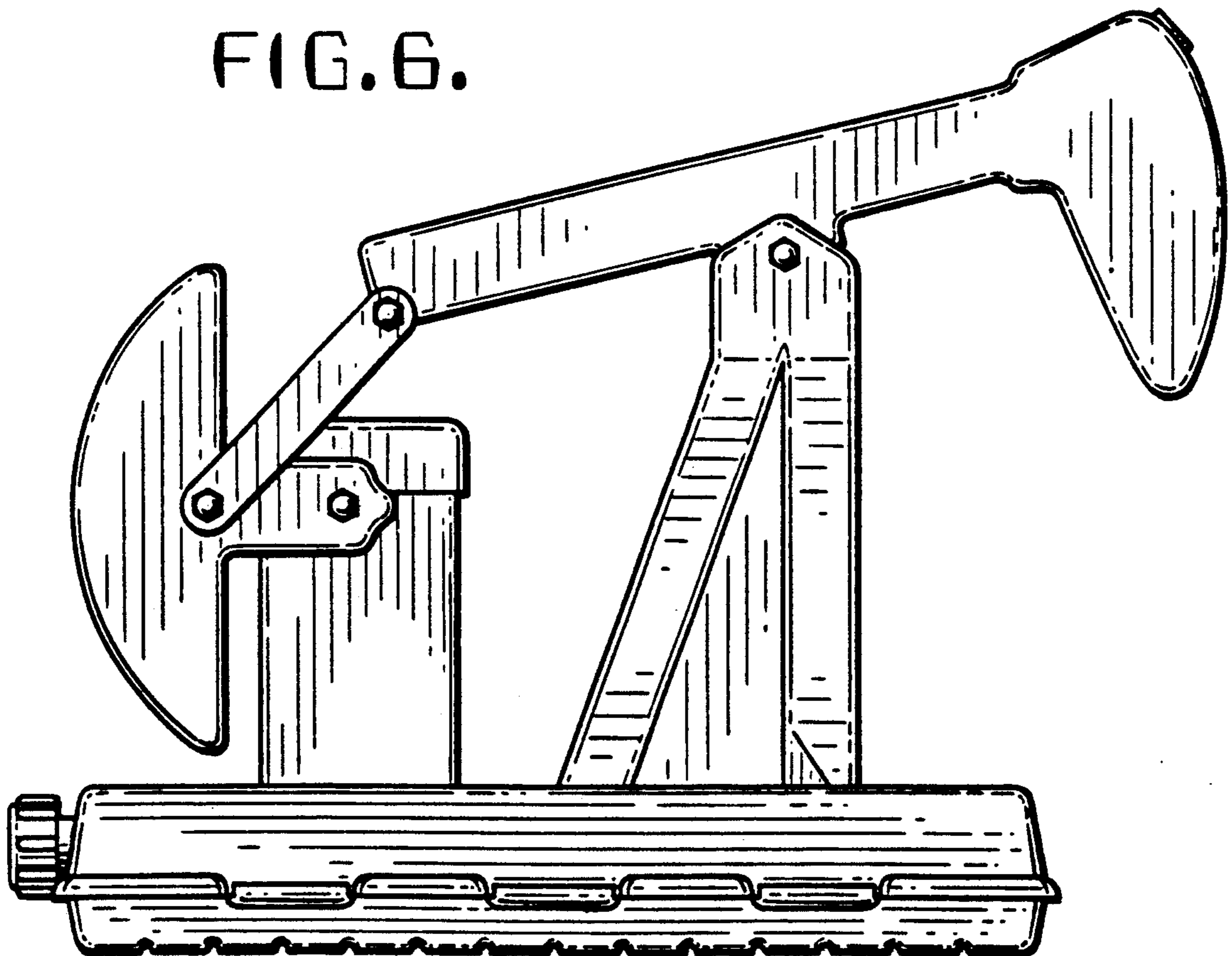


FIG. 6.