

[54] HOSEL FOR A GOLF CLUB HEAD

[76] Inventor: Anthony J. Antonious, 205 E. Joppa Rd., Towson, Md. 21204

[**] Term: 14 Years

[21] Appl. No.: 856,101

[22] Filed: Apr. 17, 1986

[52] U.S. Cl. D21/221; D21/217

[58] Field of Search D21/214-220; 273/167-175

[56] References Cited

U.S. PATENT DOCUMENTS

D. 259,732 6/1981 Vella D21/217
4,136,877 1/1979 Antonious 273/164

OTHER PUBLICATIONS

Golf Digest, Jun. 1985, p. 32, lower left, Putter.

Primary Examiner—Melvin B. Feifer

Attorney, Agent, or Firm—N. J. Aquilino

[57] CLAIM

The ornamental design for a hosel for a golf club head, as shown and described.

DESCRIPTION

FIG. 1 is a perspective view of a hosel for a golf club head showing my new design with a broken line showing of a golf club head for illustrative purposes only.

FIG. 2 is a side elevation view thereof;

FIG. 3 is a front elevational view thereof;

FIG. 4 is a rear elevational view thereof;

FIG. 5 is a side elevational view taken from the opposite side of FIG. 2;

FIG. 6 is a top plan view thereof.

FIG. 7 is a bottom view thereof.

FIG. 8 is a perspective view of an alternate embodiment of the hosel for a golf club head of FIG. 1.

FIG. 9 is another alternate embodiment of the hosel for a golf club head of FIG. 1.

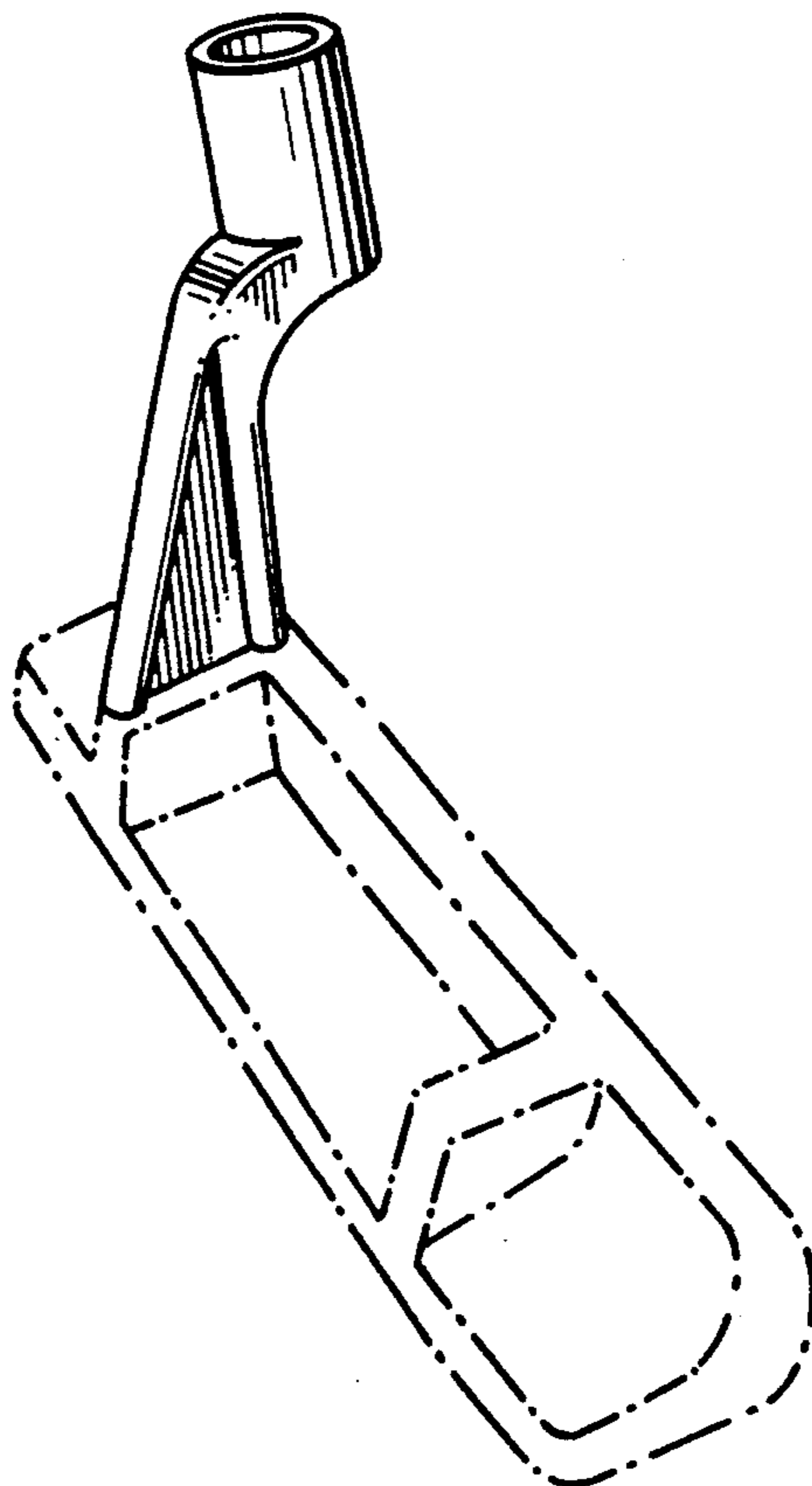


FIG. 1

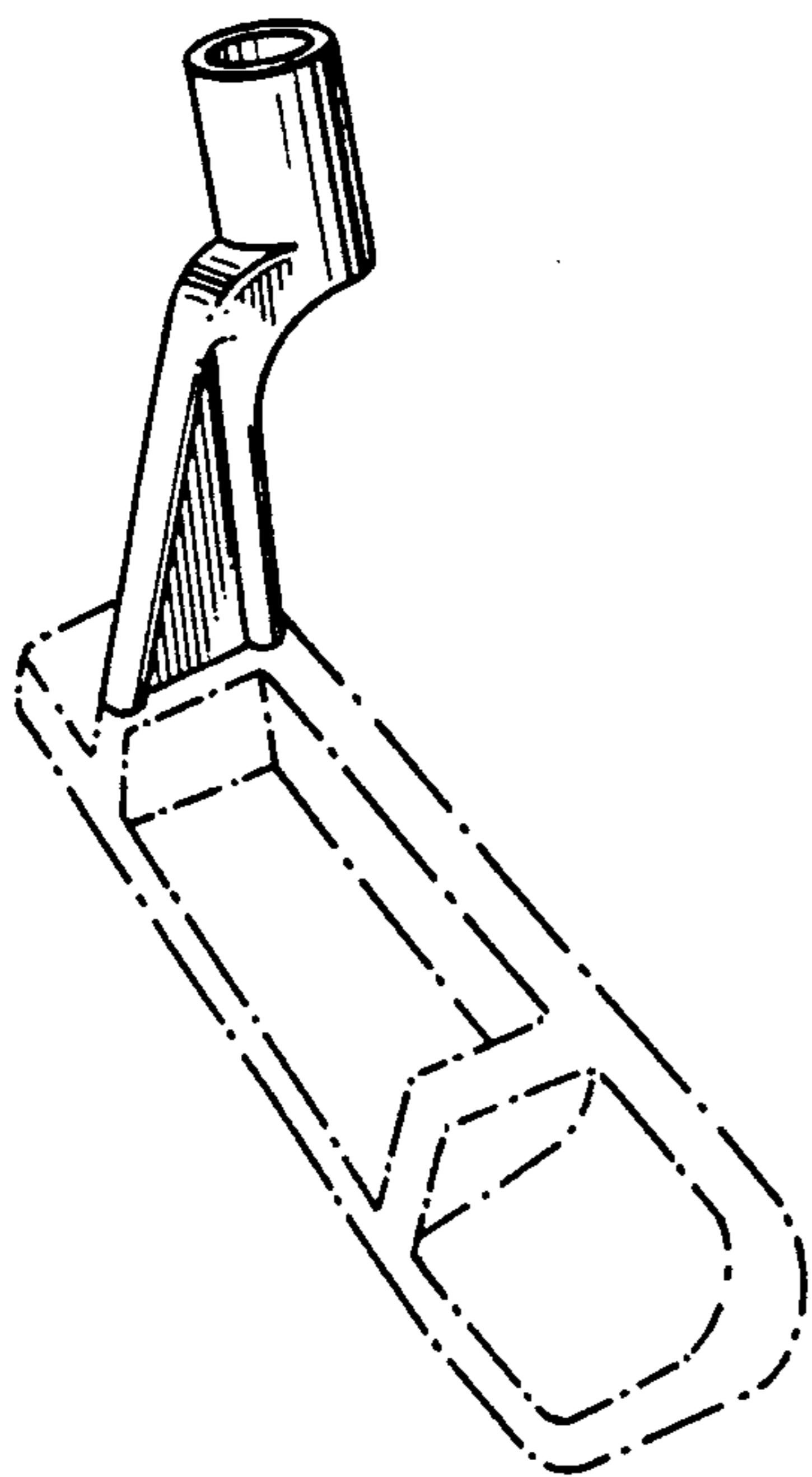


FIG. 2

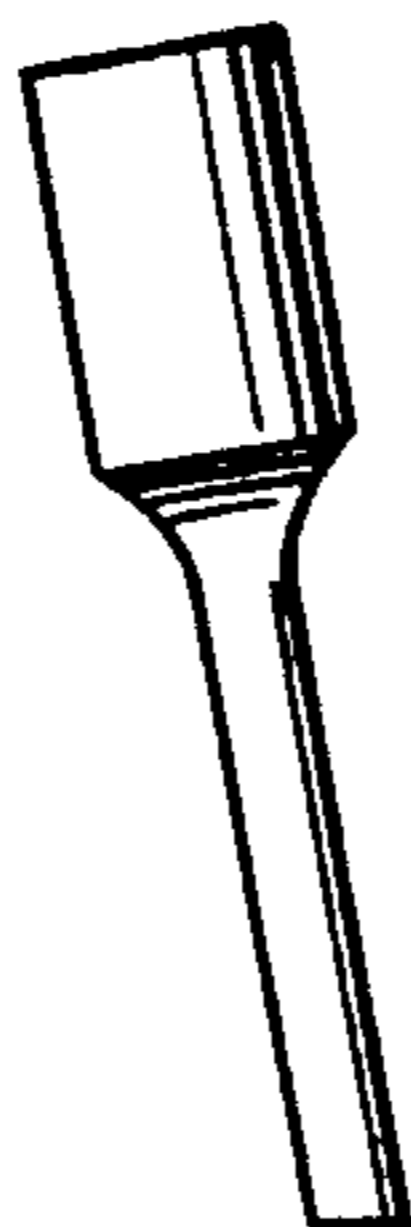


FIG. 3

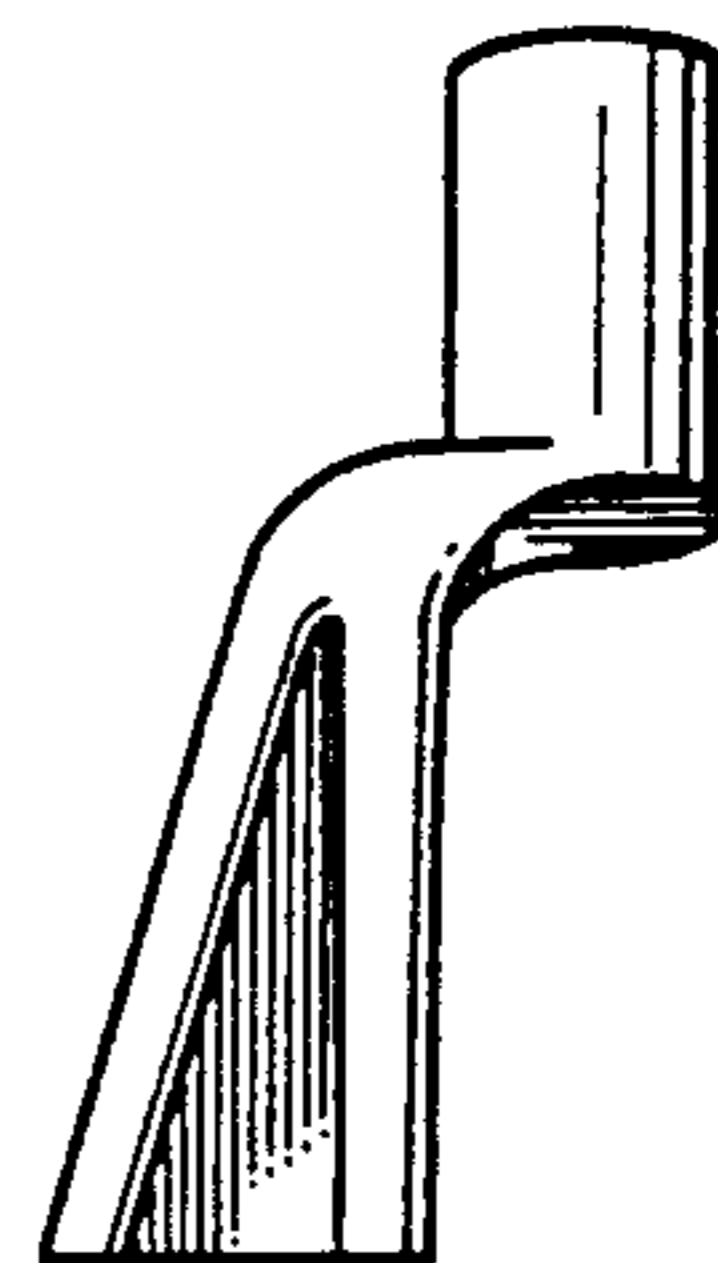


FIG. 4

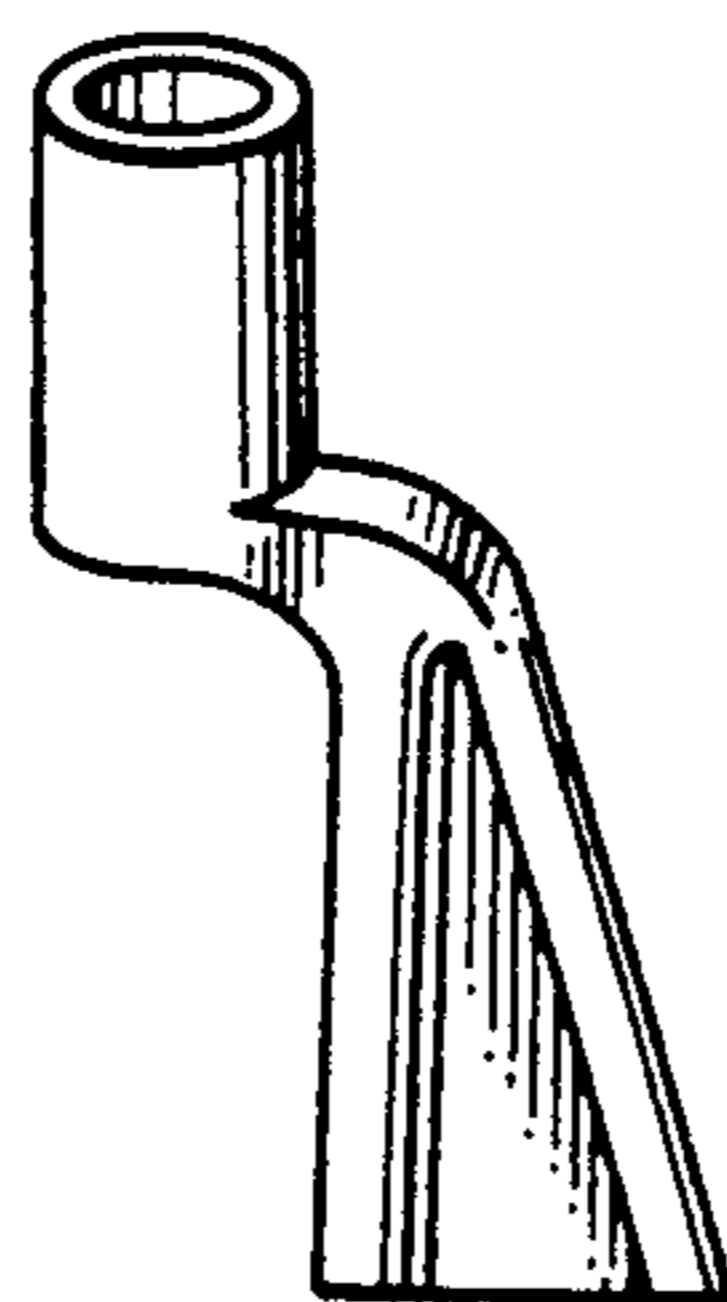


FIG. 5

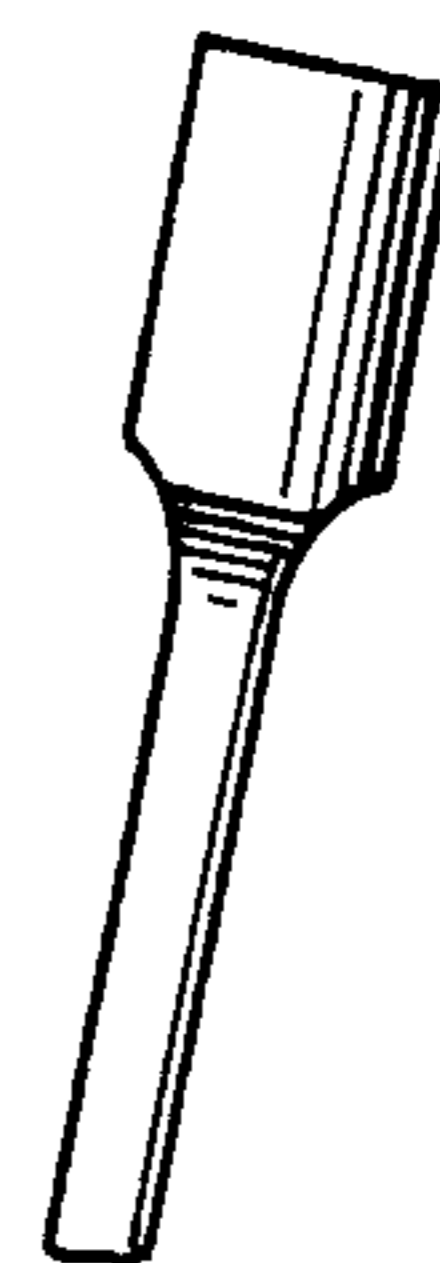


FIG. 6



FIG. 7



FIG. 8

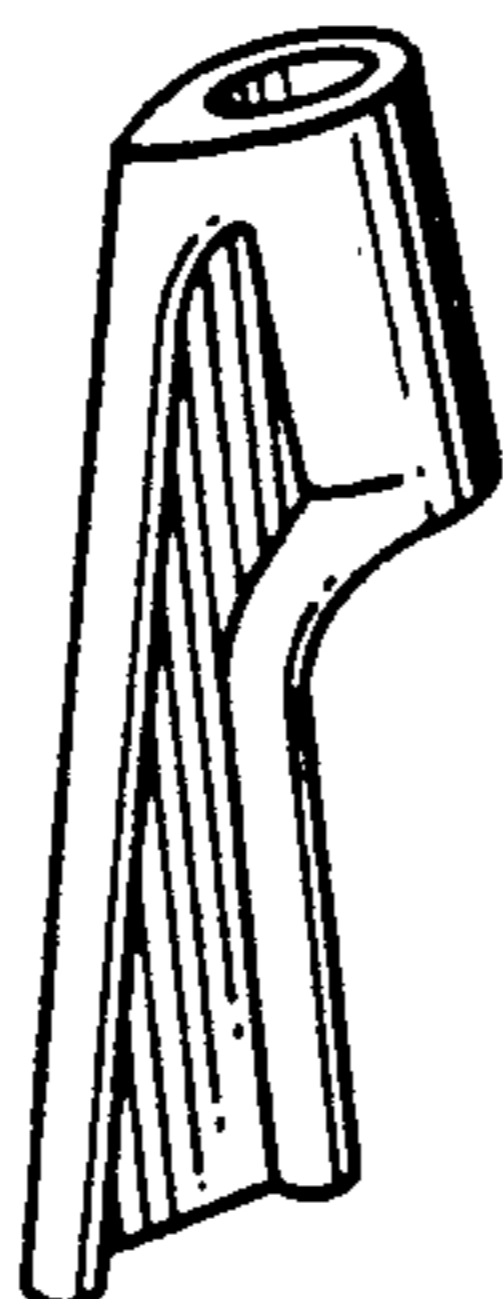


FIG. 9

