

United States Patent [19]

Mahaffey et al.

[11] Patent Number: **Des. 316,583**

[45] Date of Patent: **** Apr. 30, 1991**

[54] **GOLF CLUB HEAD**

[75] Inventors: **Steven J. Mahaffey, Hampden, Mass.; Gary H. Roulston, Salem, S.C.**

[73] Assignee: **Spalding & Evenflo Companies, Inc., Tampa, Fla.**

[**] Term: **14 Years**

[21] Appl. No.: **222,644**

[22] Filed: **Jul. 21, 1988**

[52] U.S. Cl. **D21/214**

[58] Field of Search **D21/214-220; 273/167-175, 163 R, 164**

[56] **References Cited**

U.S. PATENT DOCUMENTS

D. 277,221 1/1985 Kobayashi D21/214

4,630,825 12/1986 Schmidt et al. 273/167 H

FOREIGN PATENT DOCUMENTS

480029 1/1952 Canada 273/167 E

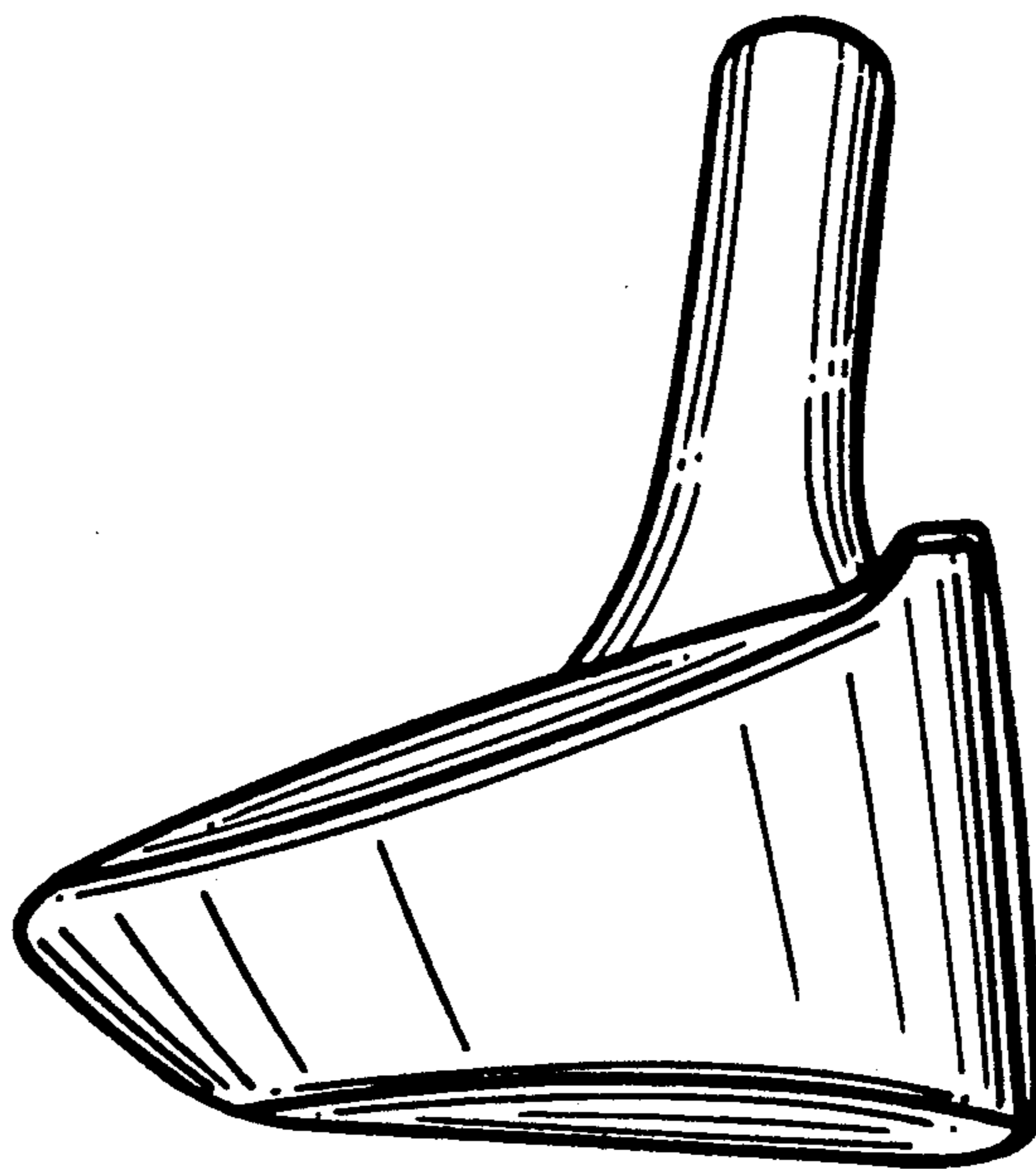
Primary Examiner—Melvin B. Feifer
Attorney, Agent, or Firm—Donald R. Bahr

[57] CLAIM

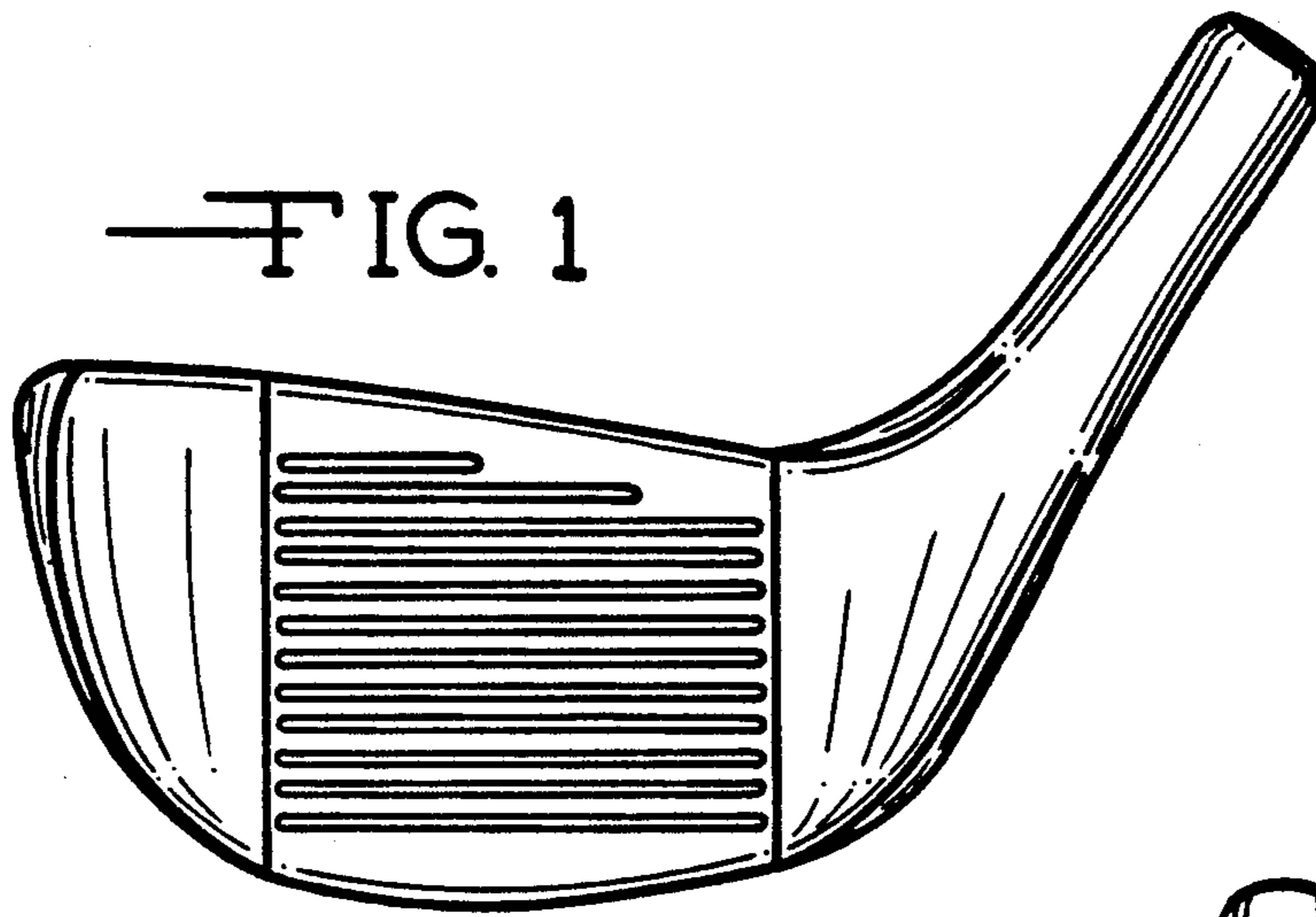
The ornamental design for a golf club head, as shown and described.

DESCRIPTION

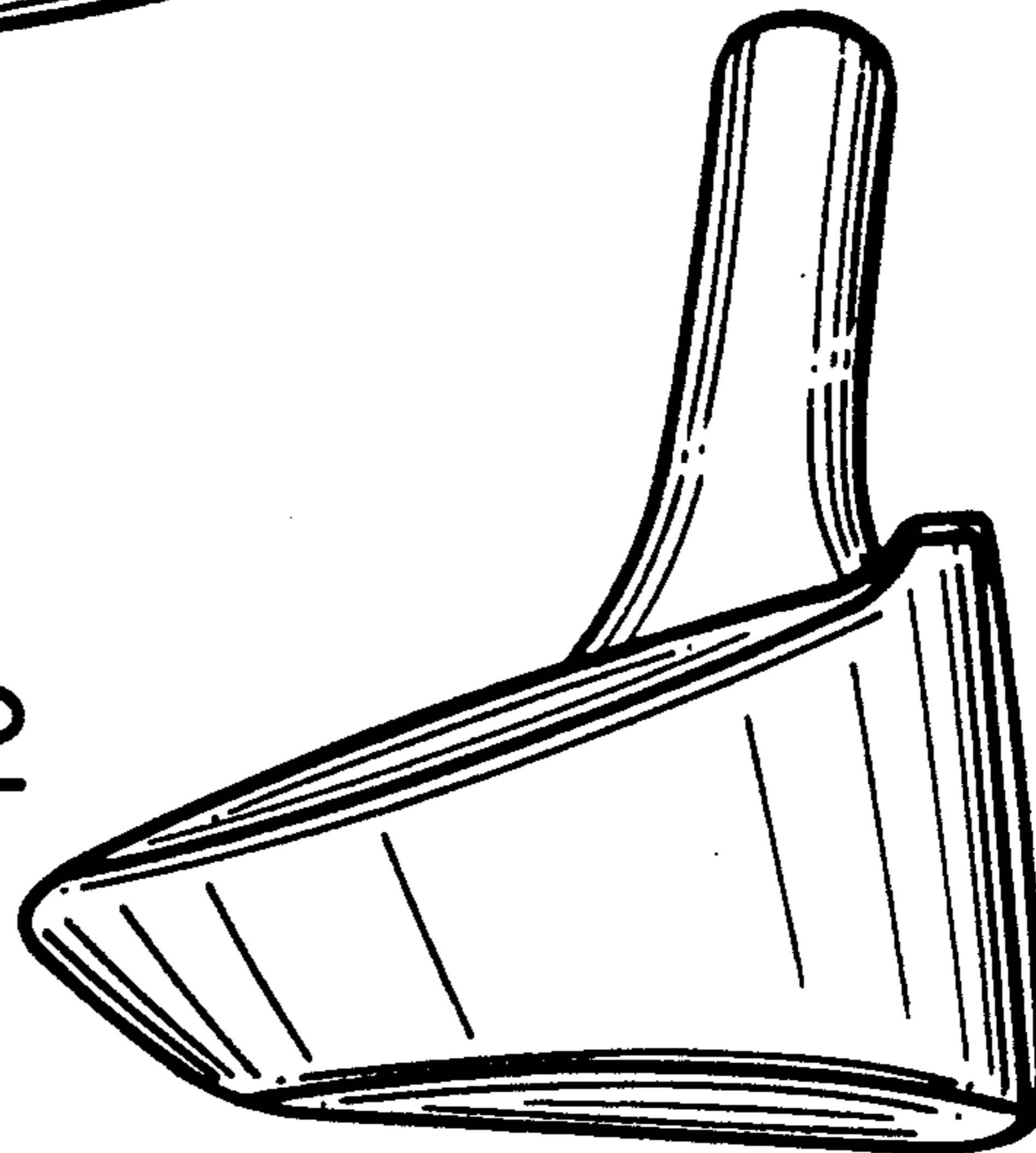
FIG. 1 is a front view of a gold club-head showing our new design;
FIG. 2 is a side view taken from the left of FIG. 1;
FIG. 3 is a top plan view thereof;
FIG. 4 is a rear view thereof;
FIG. 5 is a side view taken from the right of FIG. 1; and
FIG. 6 is a bottom plan view.



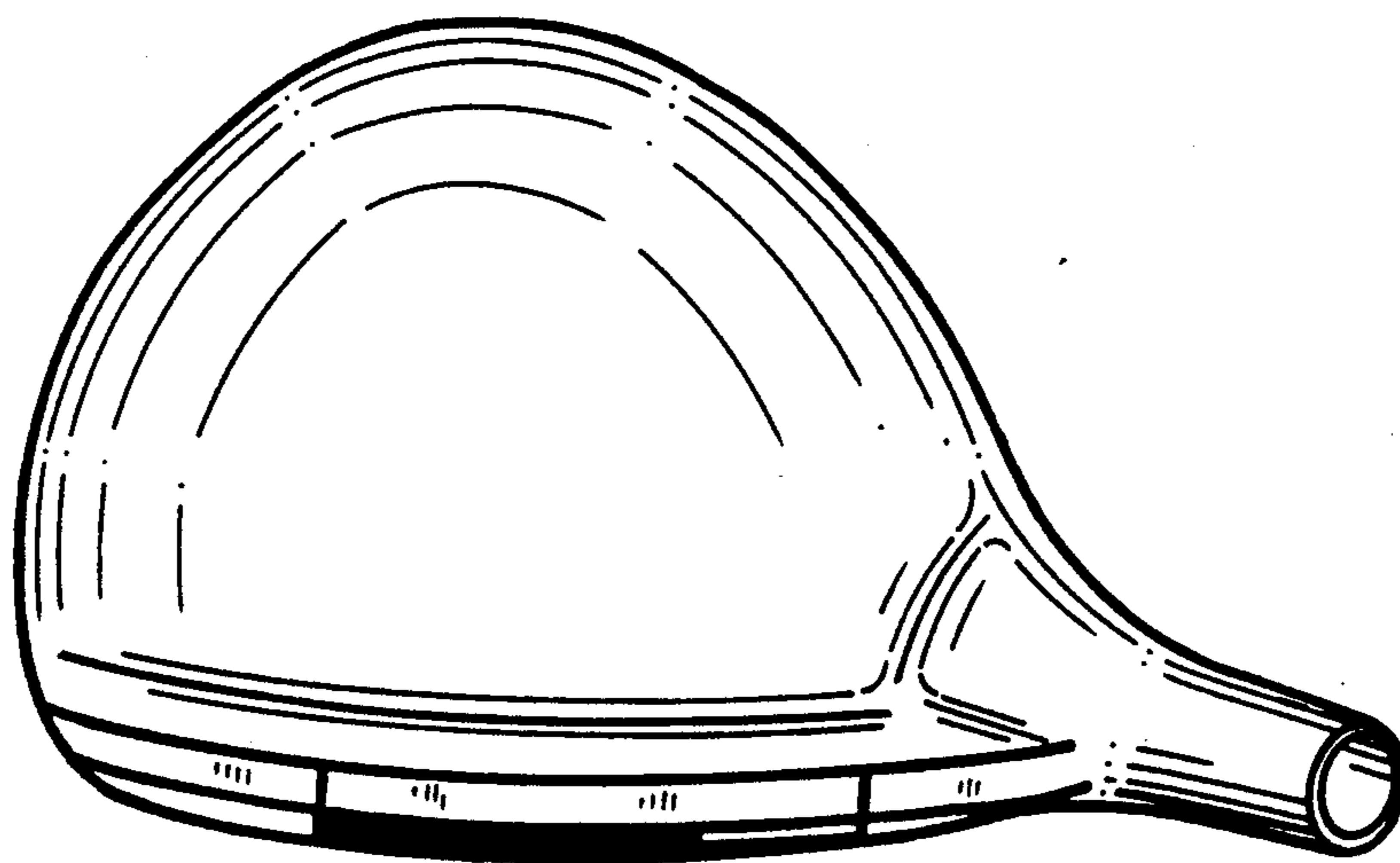
—FIG. 1

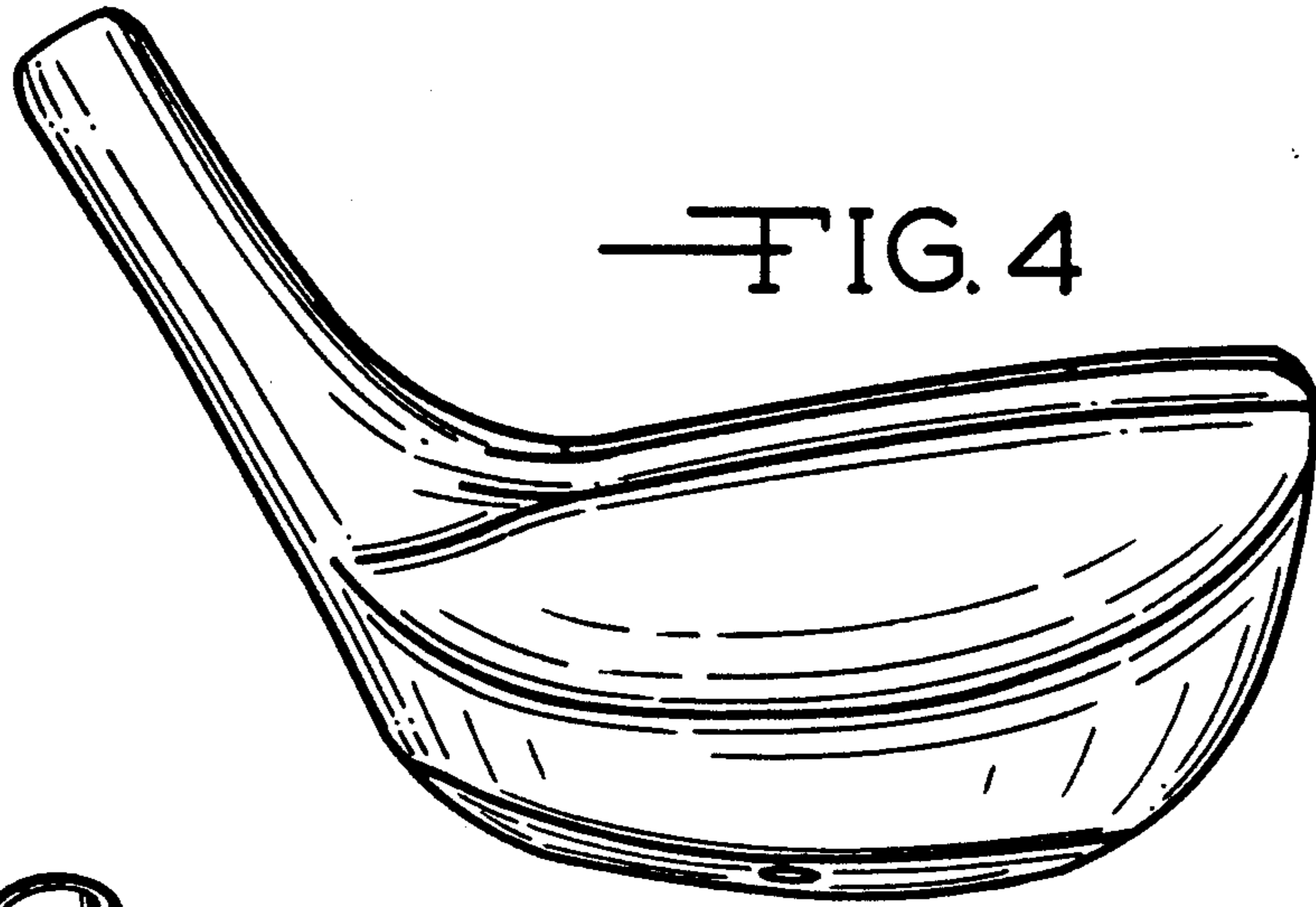


—FIG. 2

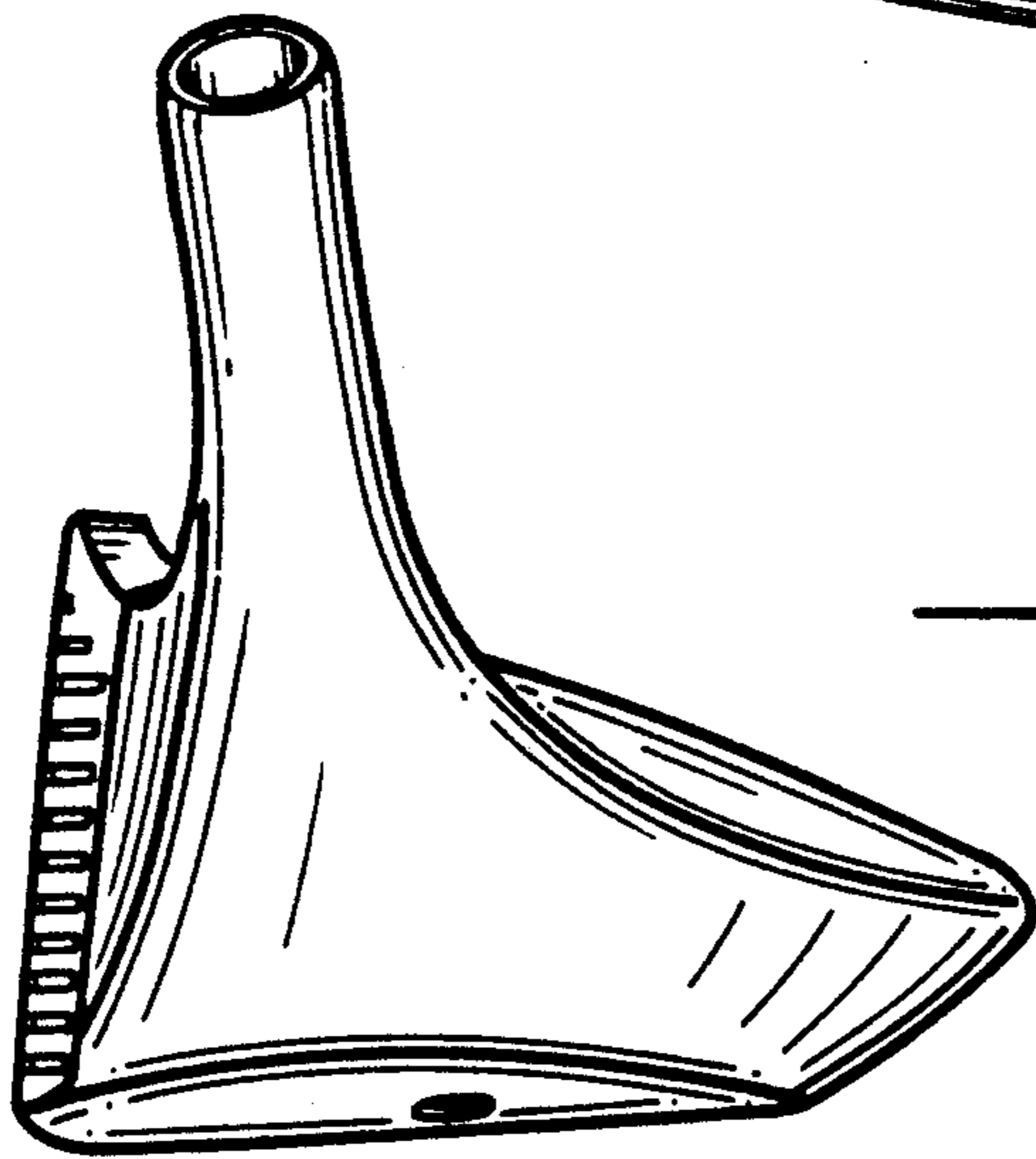


—FIG. 3

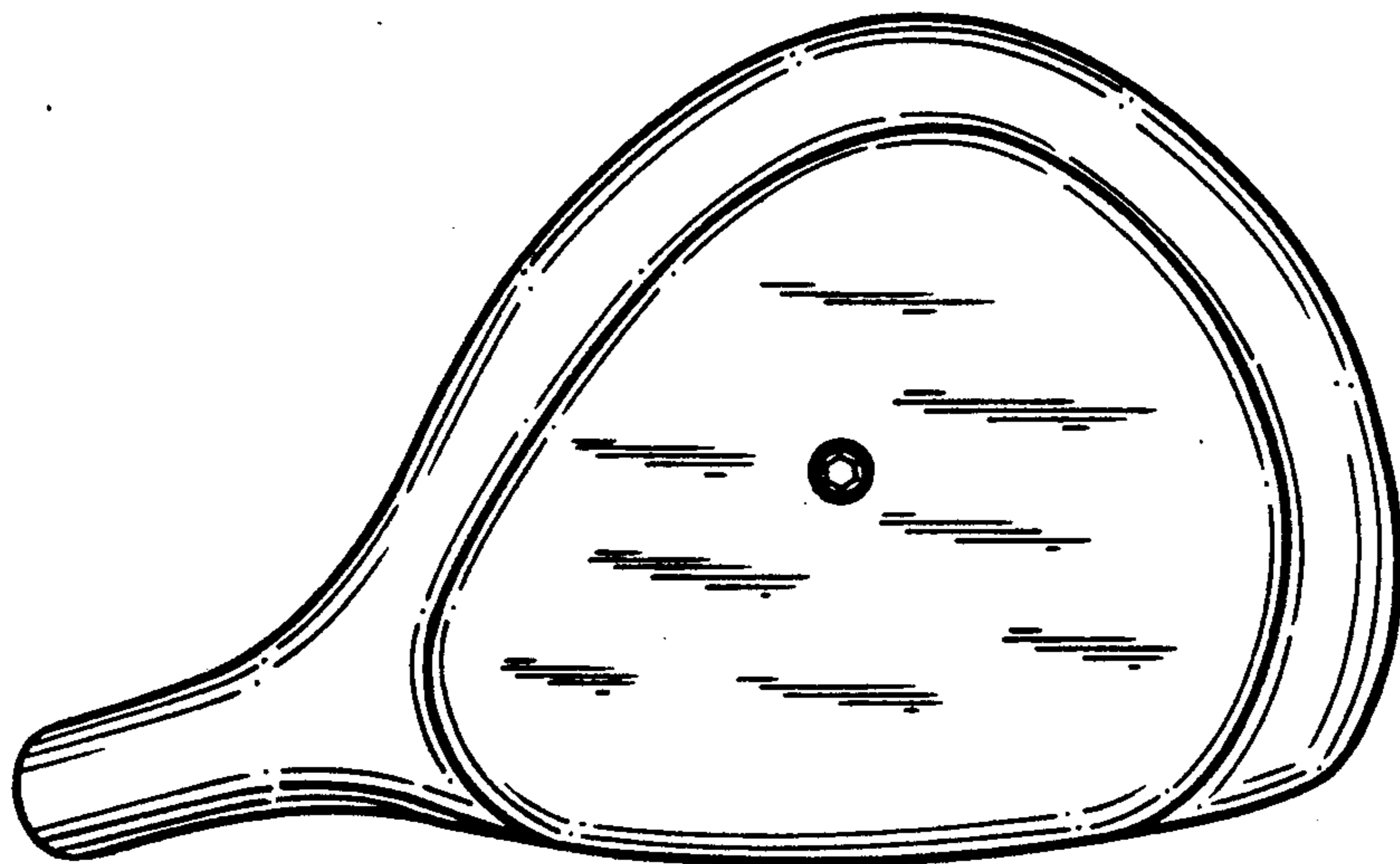




—FIG. 4



—FIG. 5



—FIG. 6