

[54] TOY KITE

[75] Inventor: John J. Kovats, Fernandina Beach, Fla.

[73] Assignee: Space Adventures, Incorporated, Jacksonville, Fla.

[\*\*] Term: 14 Years

[21] Appl. No.: 551,754

[22] Filed: Jul. 12, 1990

Related U.S. Application Data

[62] Division of Ser. No. 289,782, Dec. 27, 1988.

[52] U.S. Cl. .... D21/88

[58] Field of Search ..... D21/82-89; 446/34, 61-69; 244/153 R

[56] References Cited

U.S. PATENT DOCUMENTS

- D. 204,611 5/1966 Ventre ..... D21/88
- D. 246,736 12/1977 Barrett et al. .... D21/88
- D. 310,251 8/1990 Kenyan ..... D21/87

Primary Examiner—Charles A. Rademaker  
Attorney, Agent, or Firm—Arthur G. Yeager

[57] CLAIM

The ornamental design for a toy kite, as shown and described.

DESCRIPTION

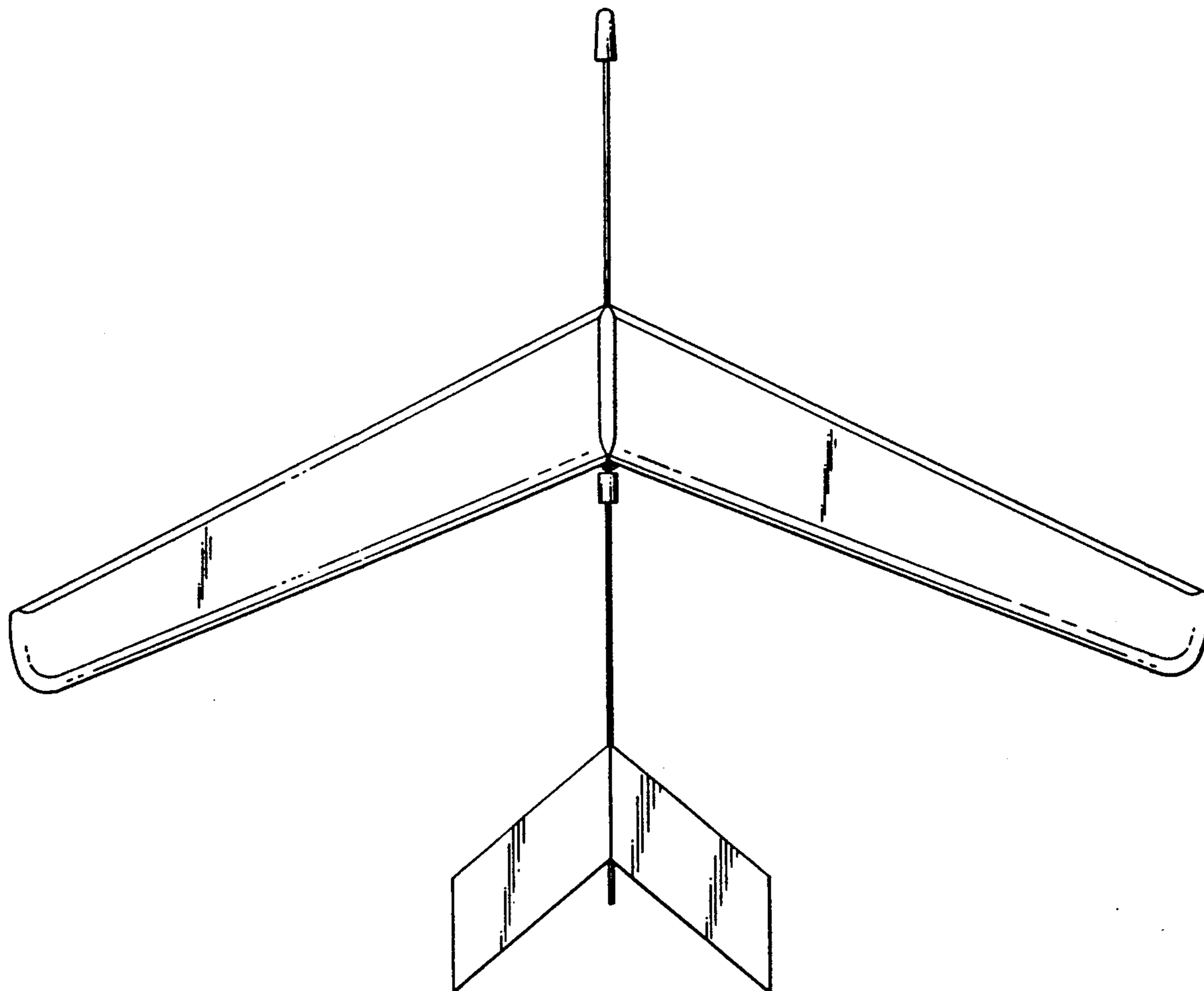
FIG. 1 is a side elevational view of a toy kite showing my new design, the side opposite being substantially a mirror image;

FIG. 2 is a top plan view thereof;

FIG. 3 is a front elevational view thereof;

FIG. 4 is a bottom plan view thereof and;

FIG. 5 is a rear elevational view thereof.



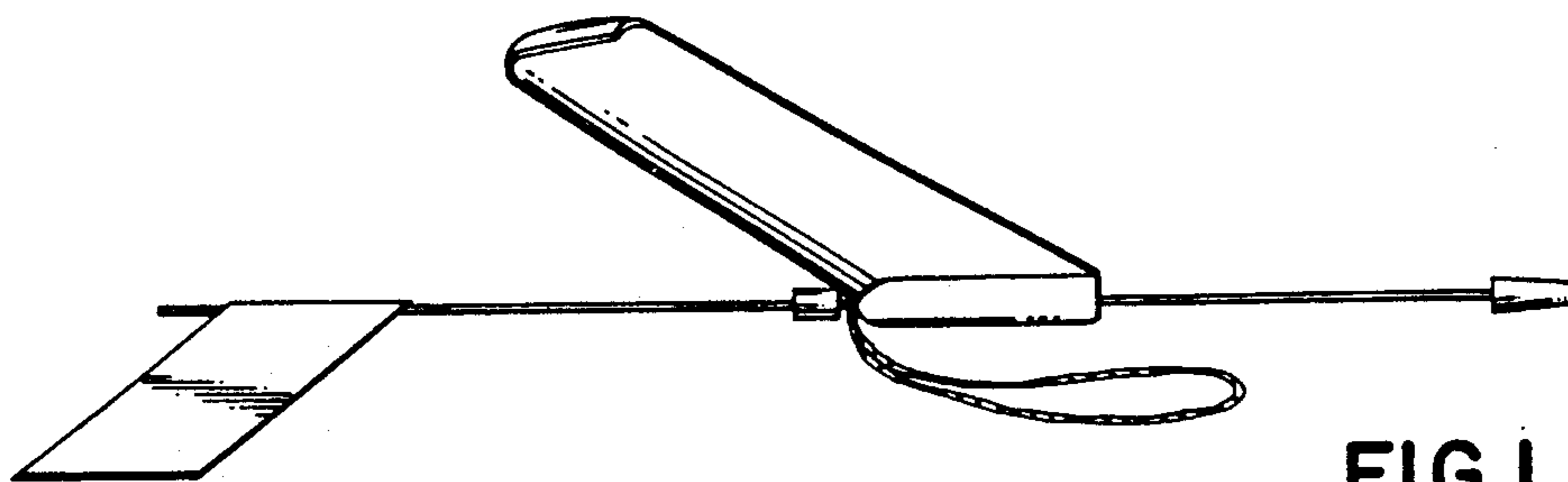


FIG 1

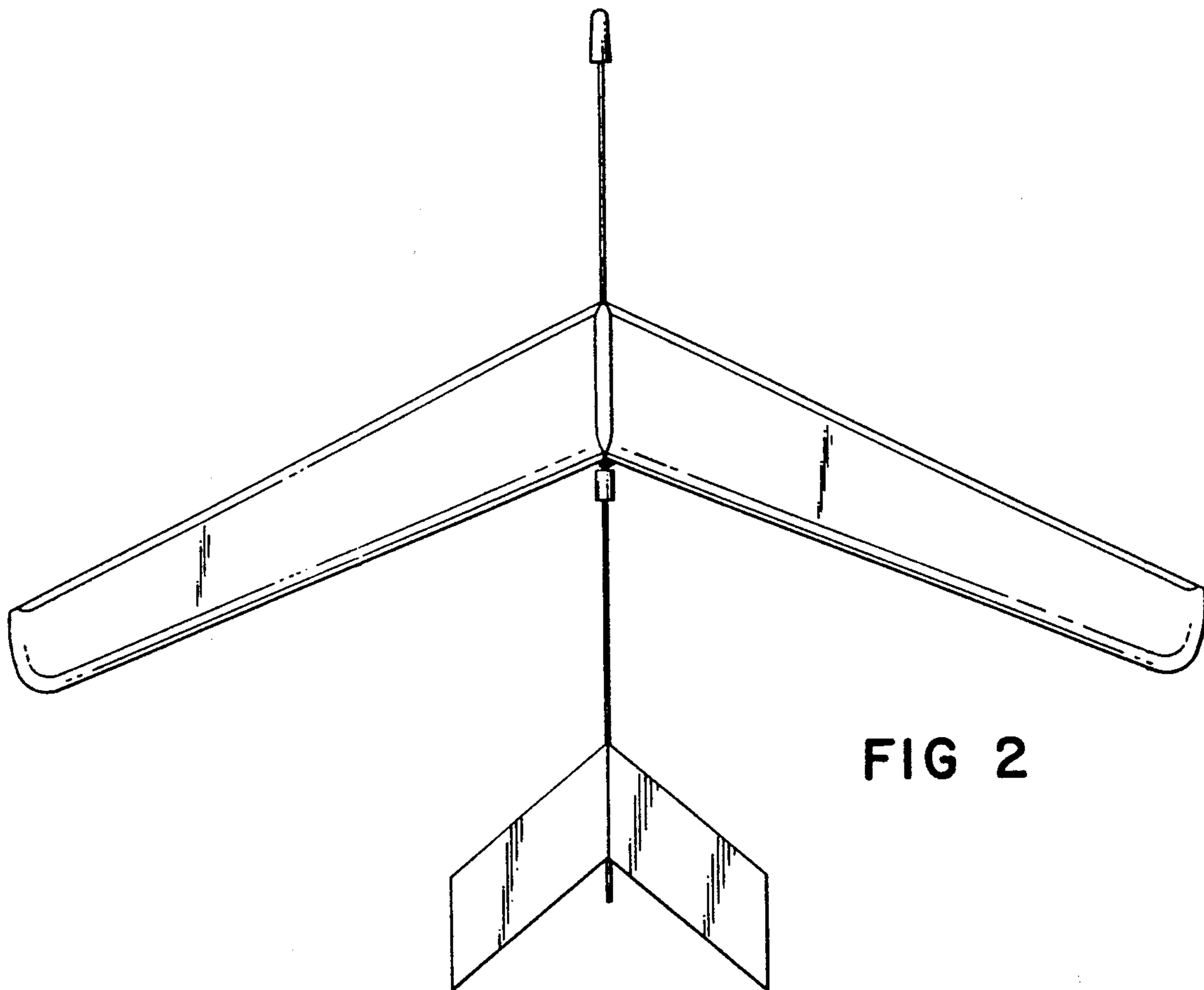


FIG 2

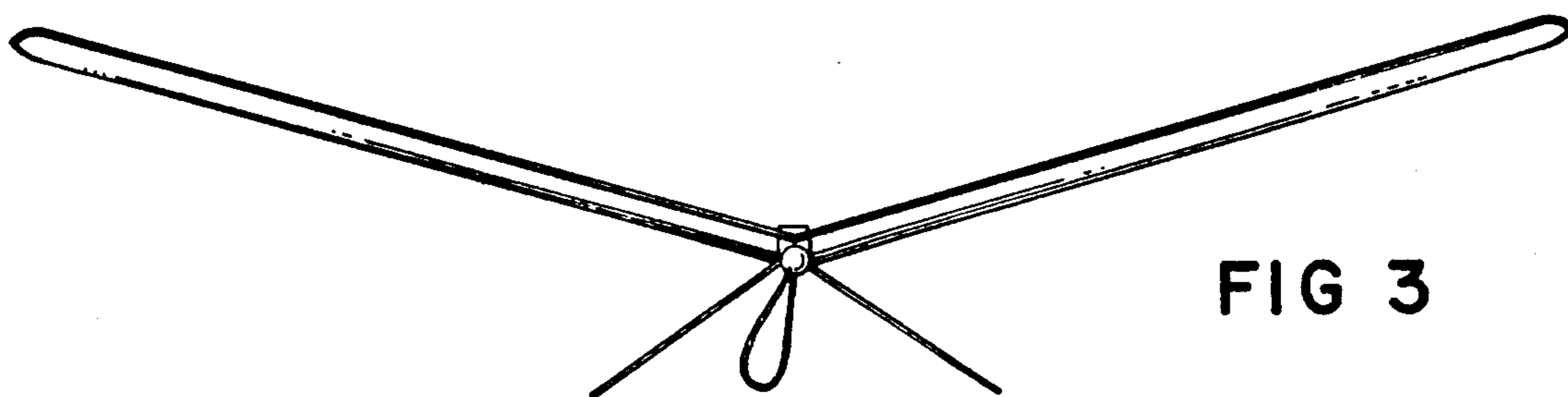


FIG 3

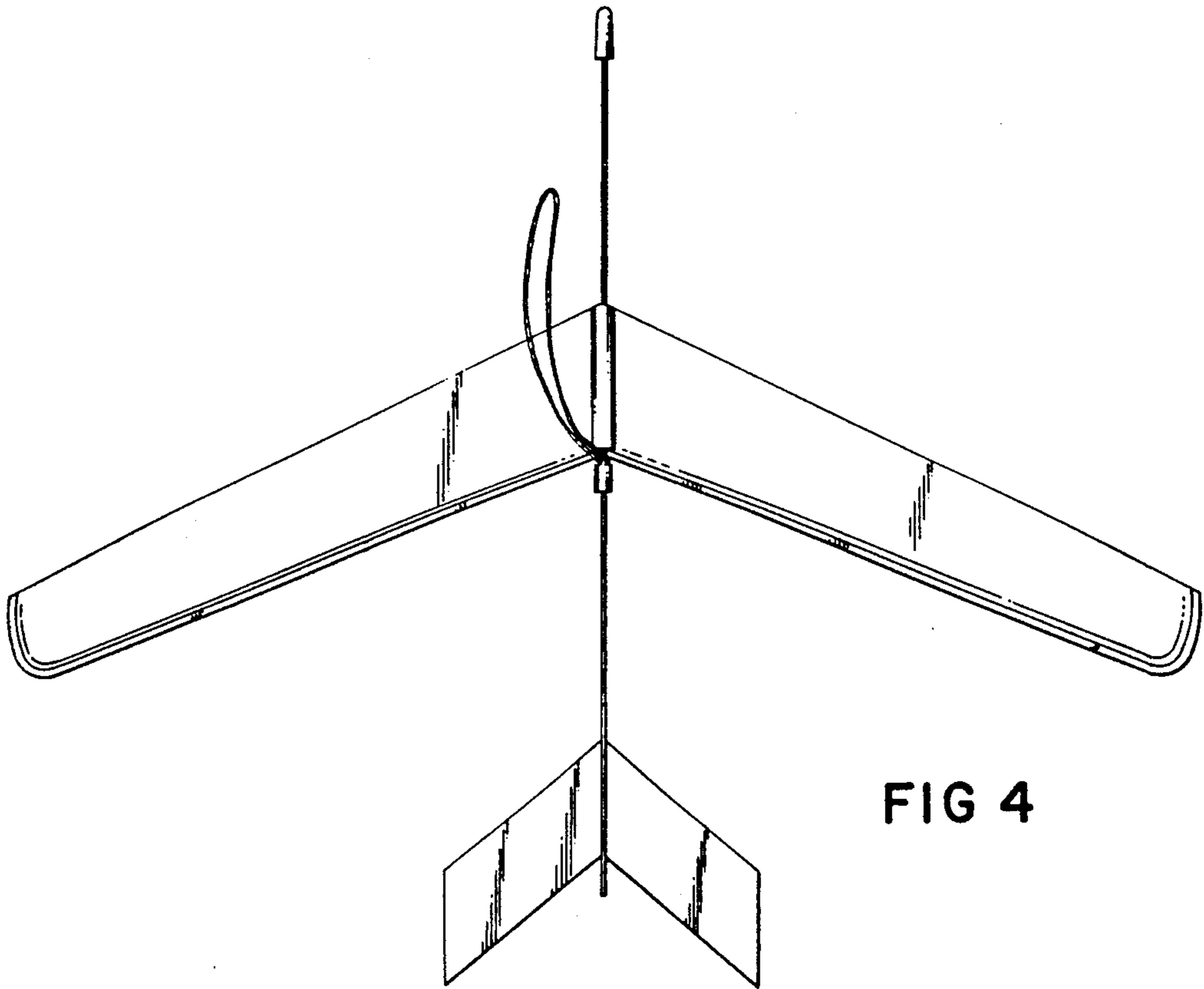


FIG 4

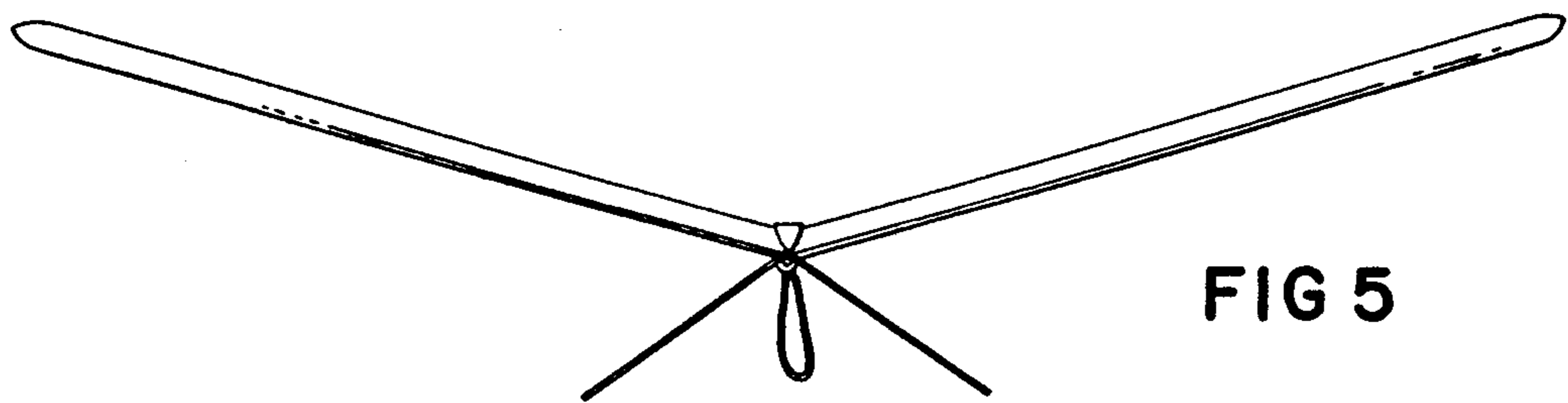


FIG 5