

[54] MODEL KITE OR THE LIKE

[75] Inventor: John J. Kovats, Fernandina Beach, Fla.

[73] Assignee: Space Adventures, Incorporated, Jacksonville, Fla.

[**] Term: 14 Years

[21] Appl. No.: 349,504

[22] Filed: May 9, 1989

[52] U.S. Cl. D21/88; D21/90

[58] Field of Search D21/82, 87, 88, 89, D21/90; 446/34, 61-69; 244/153 R, 154

[56] References Cited

U.S. PATENT DOCUMENTS

D. 149,705 5/1948 Struck D21/90

D. 213,985 4/1969 Marshall D21/90
D. 223,770 6/1972 Goodman D21/90
D. 311,223 10/1990 Kovats D21/89
D. 311,555 10/1990 Kovats D21/89

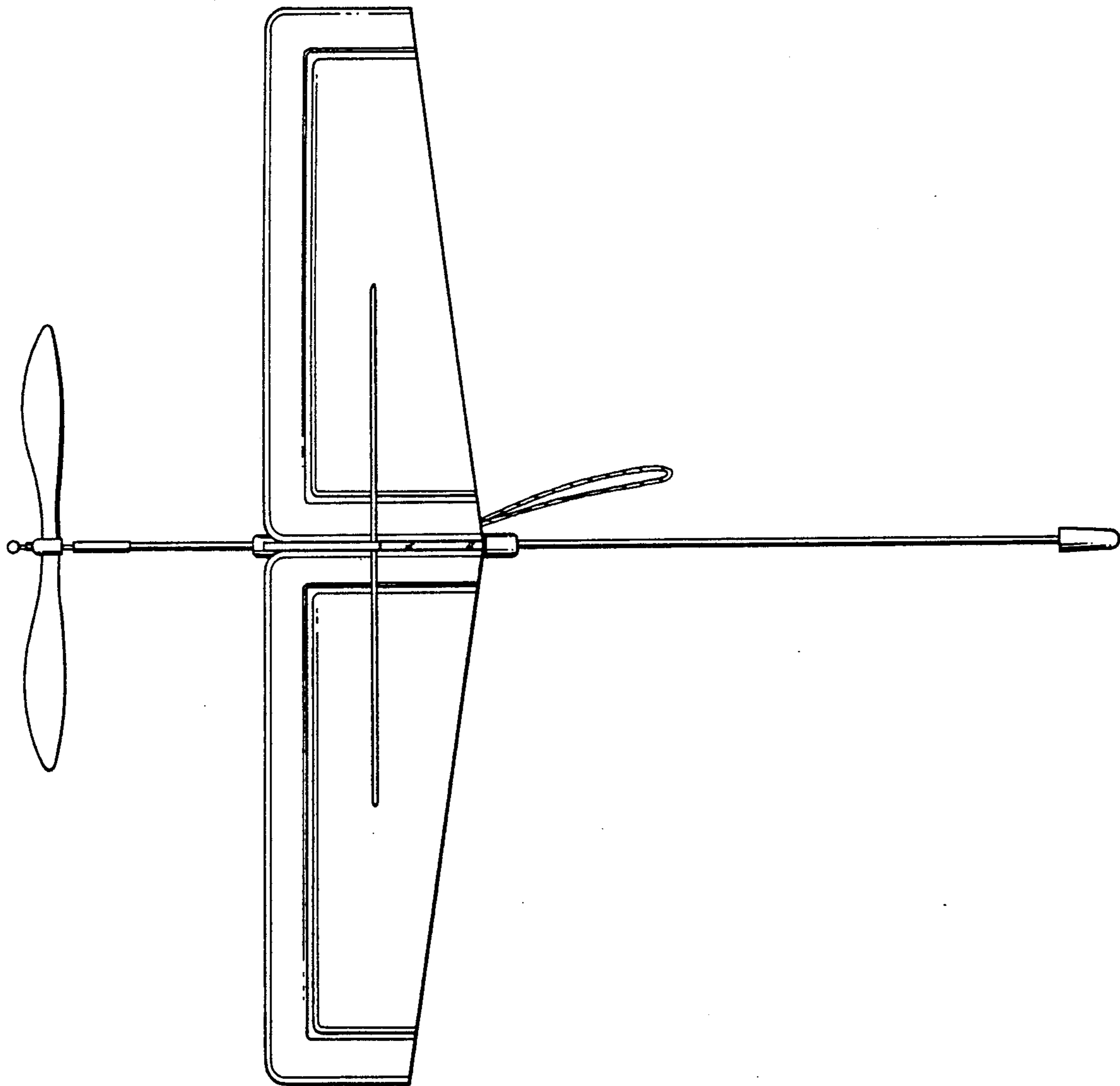
Primary Examiner—Charles A. Rademaker
Attorney, Agent, or Firm—Arthur G. Yeager

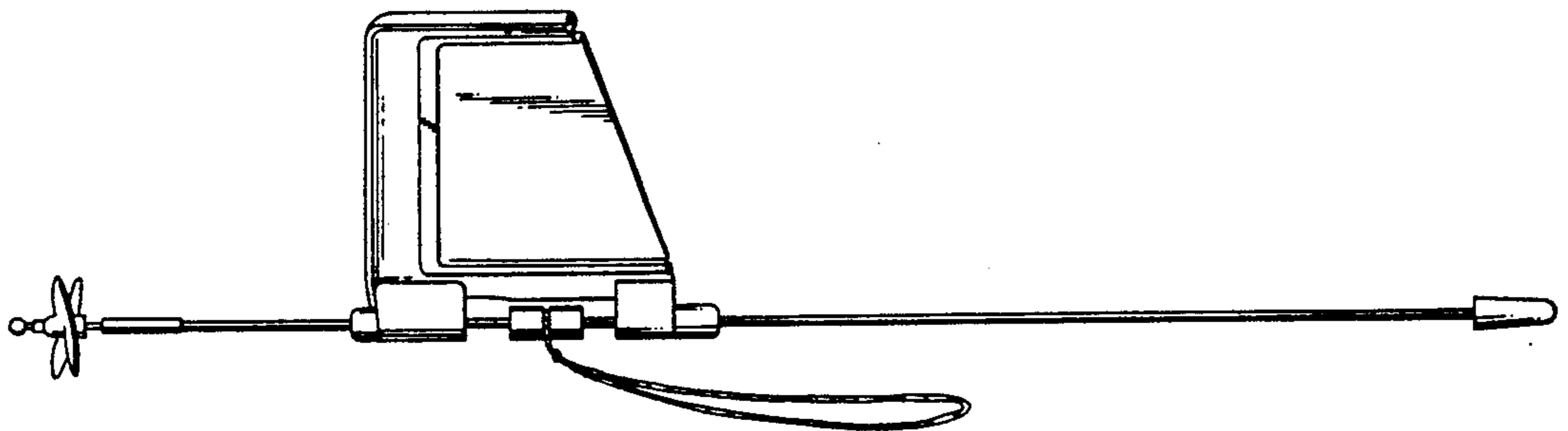
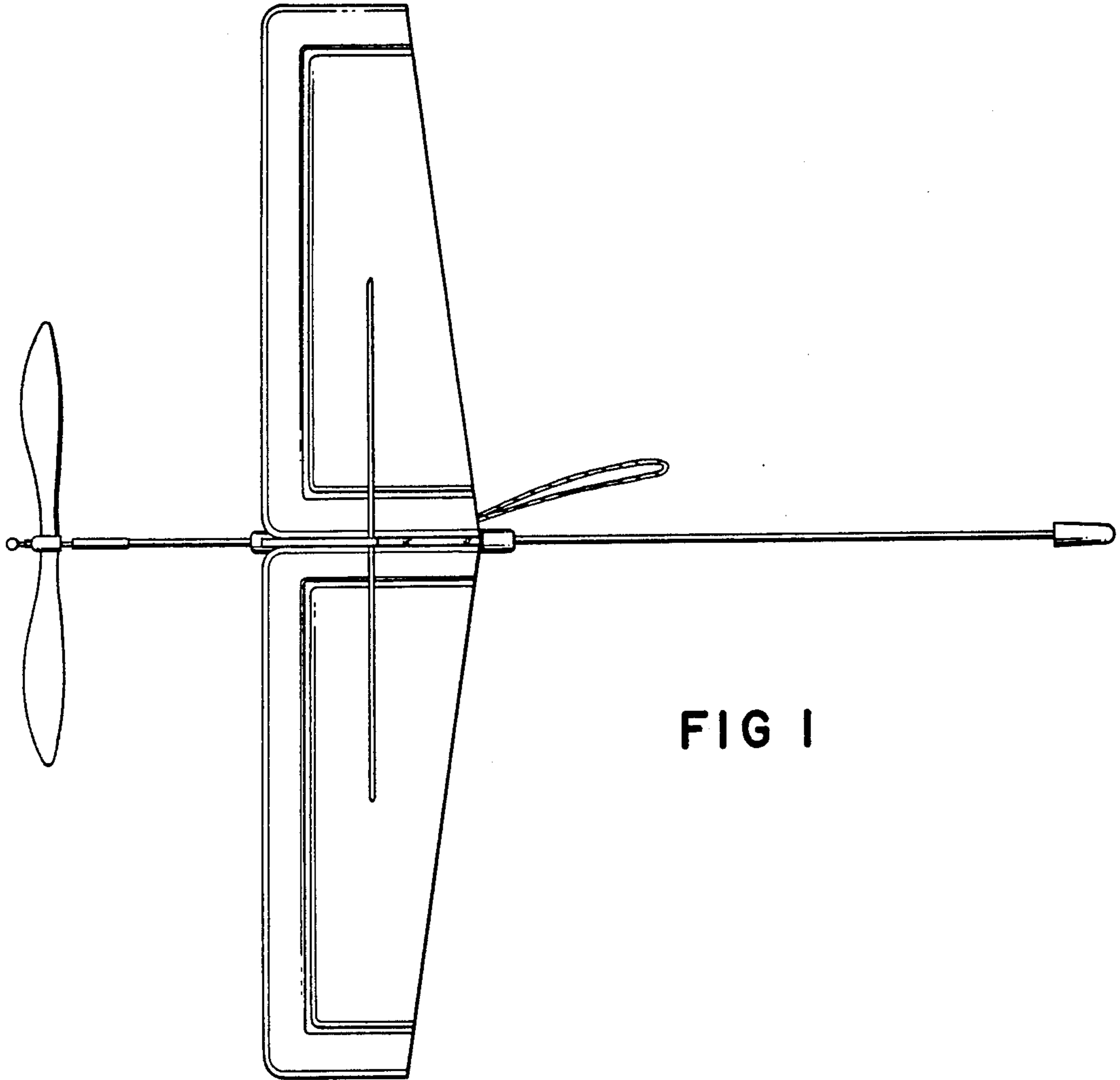
[57] CLAIM

The ornamental design for a model kite or the like, as shown and described.

DESCRIPTION

FIG. 1 is a top plan view of a model kite or the like showing my new design;
FIG. 2 is a right side elevational view thereof, the left side elevational view being the mirror image thereof;
FIG. 3 is a rear elevational view thereof;
FIG. 4 is a bottom plan view thereof; and
FIG. 5 is a front elevational view thereof.





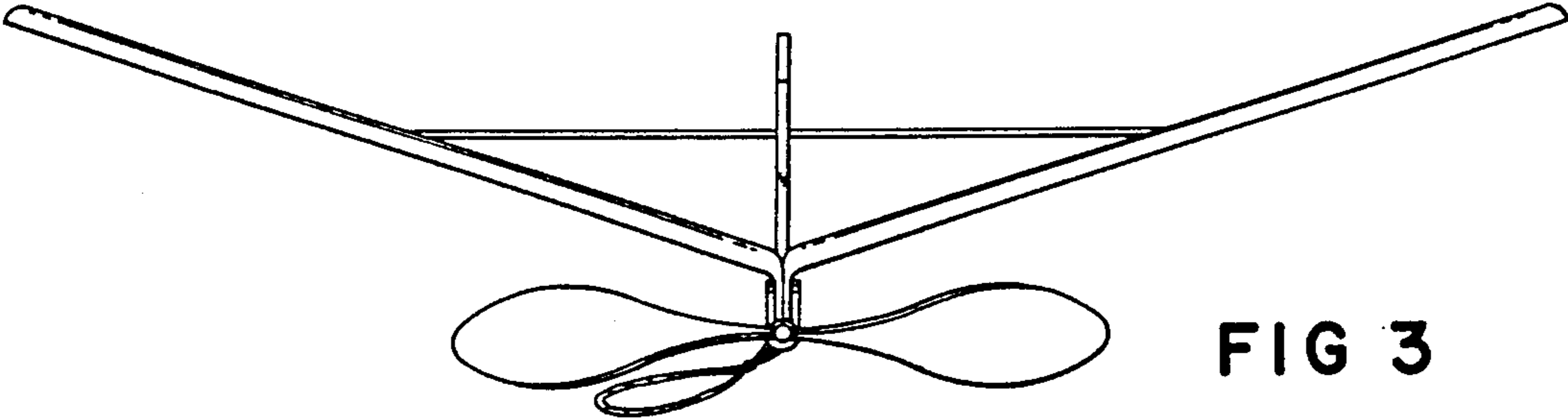


FIG 3

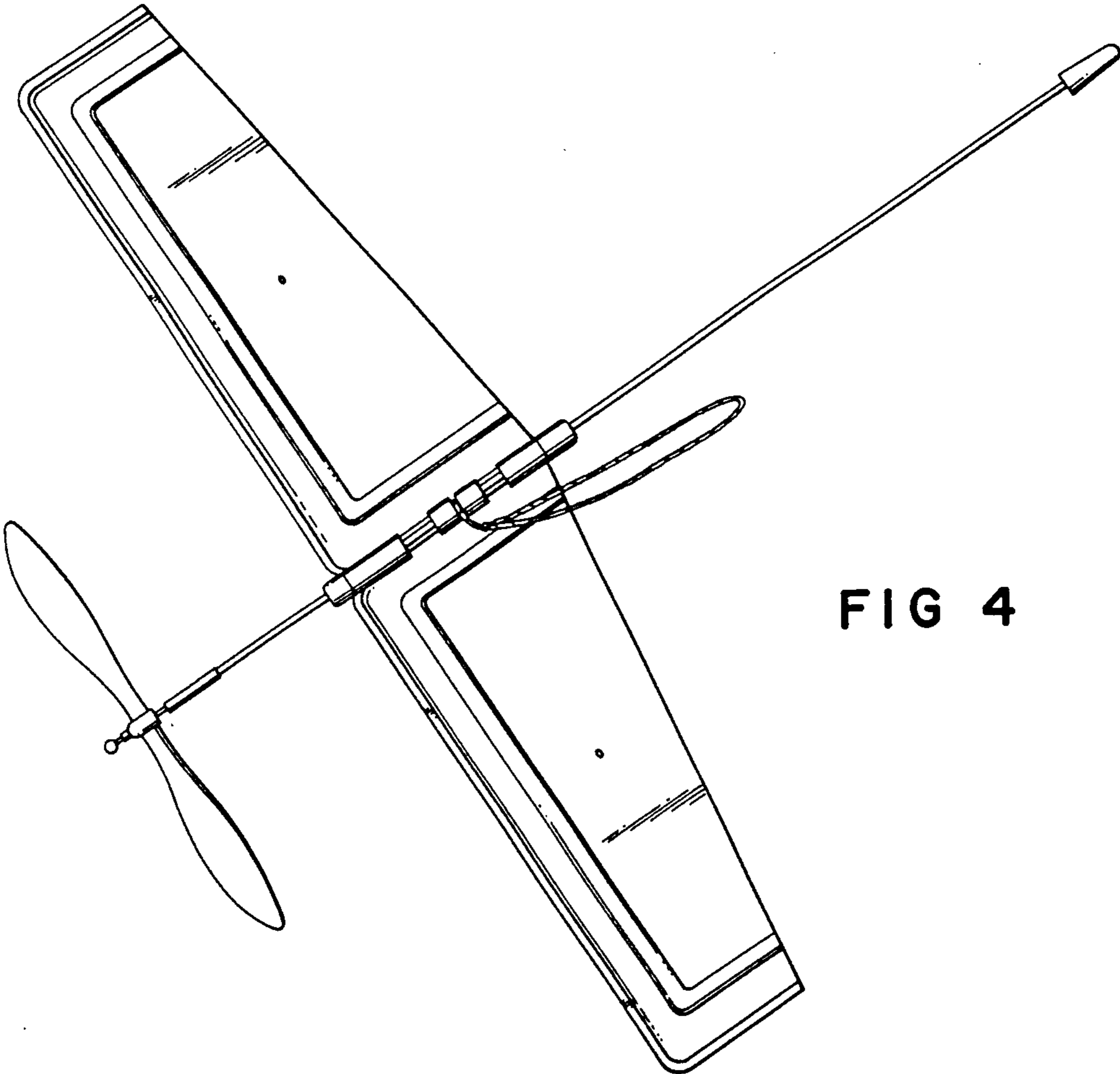


FIG 4

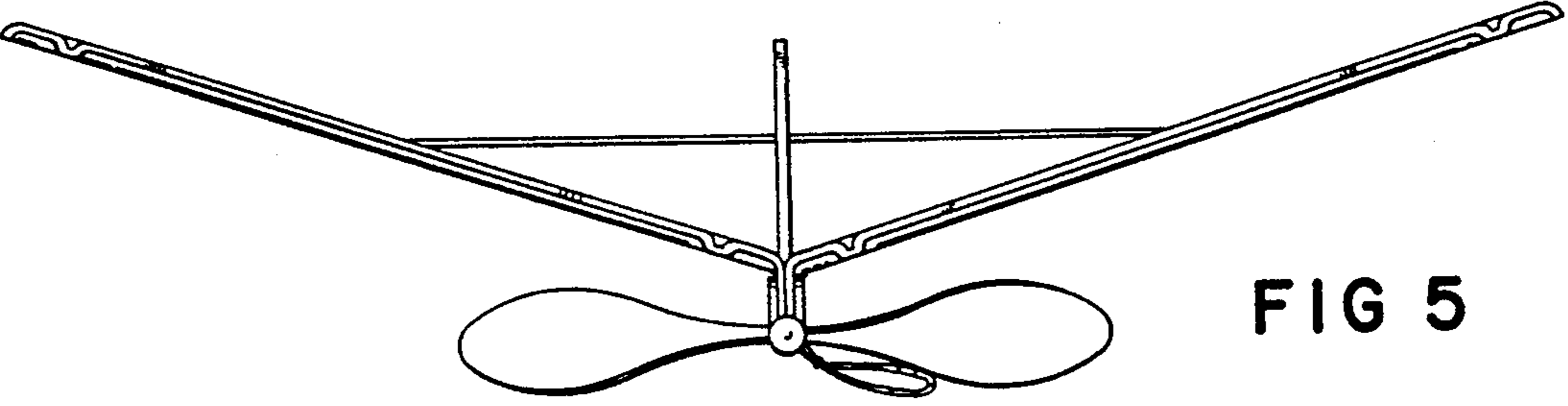


FIG 5