

[54] **WAGON**

[75] **Inventor: Maarten W. VanHuystee, East Aurora, N.Y.**
 [73] **Assignee: The Ouaker Oats Company, Chicago, Ill.**
 [**] **Term: 14 Years**
 [21] **Appl. No.: 395,095**
 [22] **Filed: Aug. 17, 1989**
 [52] **U.S. Cl. D21/71**
 [58] **Field of Search D21/71, 76, 78, 136, D21/137; 280/87.021, 87.01, 47.34, 47.371, 177, 296**

[56] **References Cited**
U.S. PATENT DOCUMENTS
 D. 91,540 2/1934 Pasin D21/71
 D. 97,206 10/1935 Rideout D21/71
 D. 108,232 2/1938 Garton D21/71
 3,275,337 9/1966 Lau 280/87.01
 4,300,783 11/1981 Fisher 280/47.371
 4,796,909 1/1989 Kirkendall 280/87.01
 4,930,831 6/1990 Valiga et al. D21/76

OTHER PUBLICATIONS

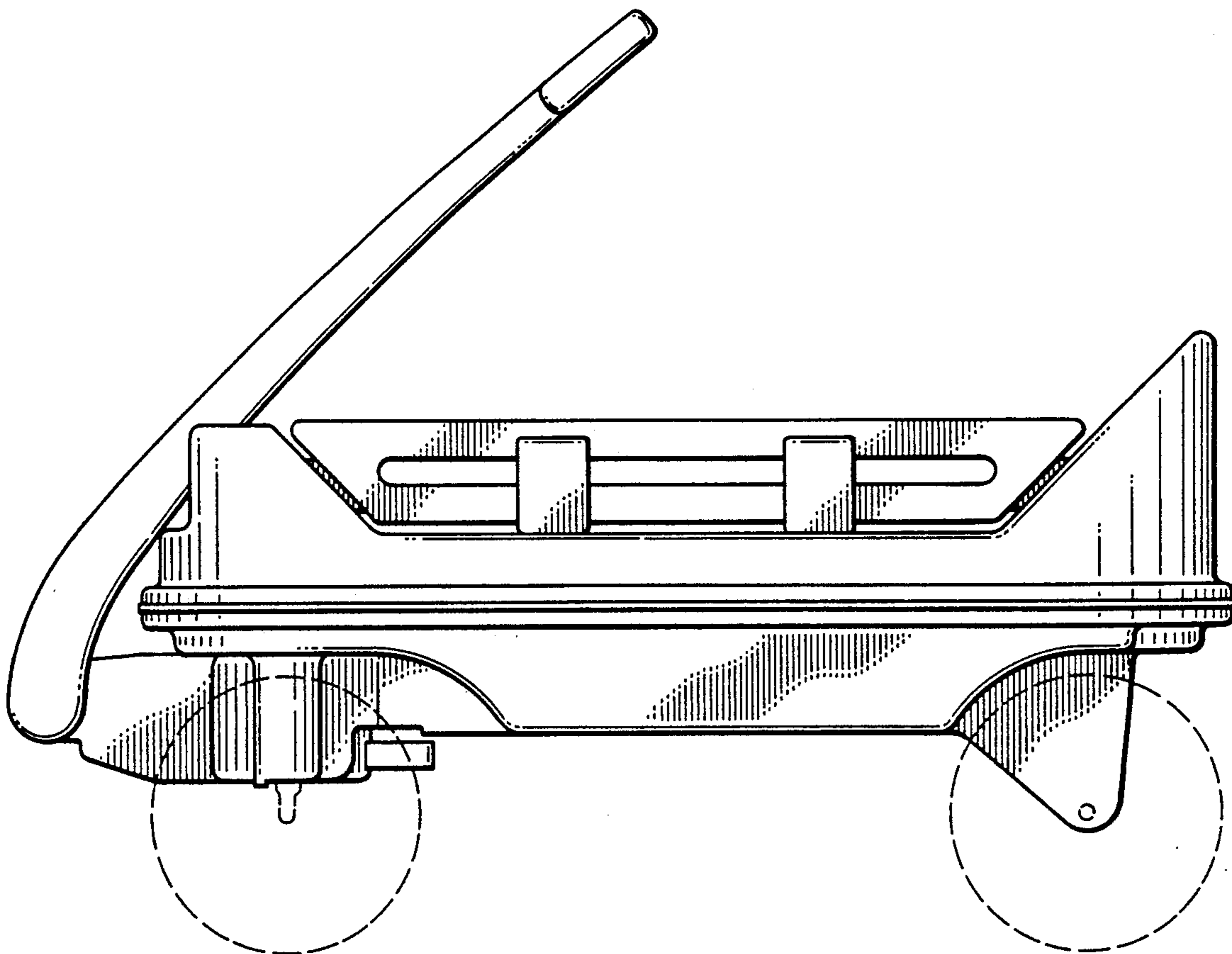
Sears Wishbook catalog, 1985 pp. 570-571, #9, #10.
 Sears catalog, 1985, p. 562, #7.
 Radio catalog, 1979, cover page.
Primary Examiner—Charles A. Rademaker
Assistant Examiner—R. Barkai
Attorney, Agent, or Firm—Cumpston & Shaw

[57] **CLAIM**

The ornamental design for a wagon, as shown and described.

DESCRIPTION

FIG. 1 is a right side elevational view of a wagon with removable side panels in place showing my new design, the left side being a mirror image thereof; FIG. 2 is a top plan view thereof; FIG. 3 is a front elevational view thereof; FIG. 4 is a rear elevational view thereof; FIG. 5 is a bottom plan view thereof; and FIG. 6 is a right side elevational view with side panels removed, the left side being a mirror image thereof. The broken line showing of wagon wheels in FIGS. 1 through 6 is for illustrative purposes only and forms no part of the claimed design.



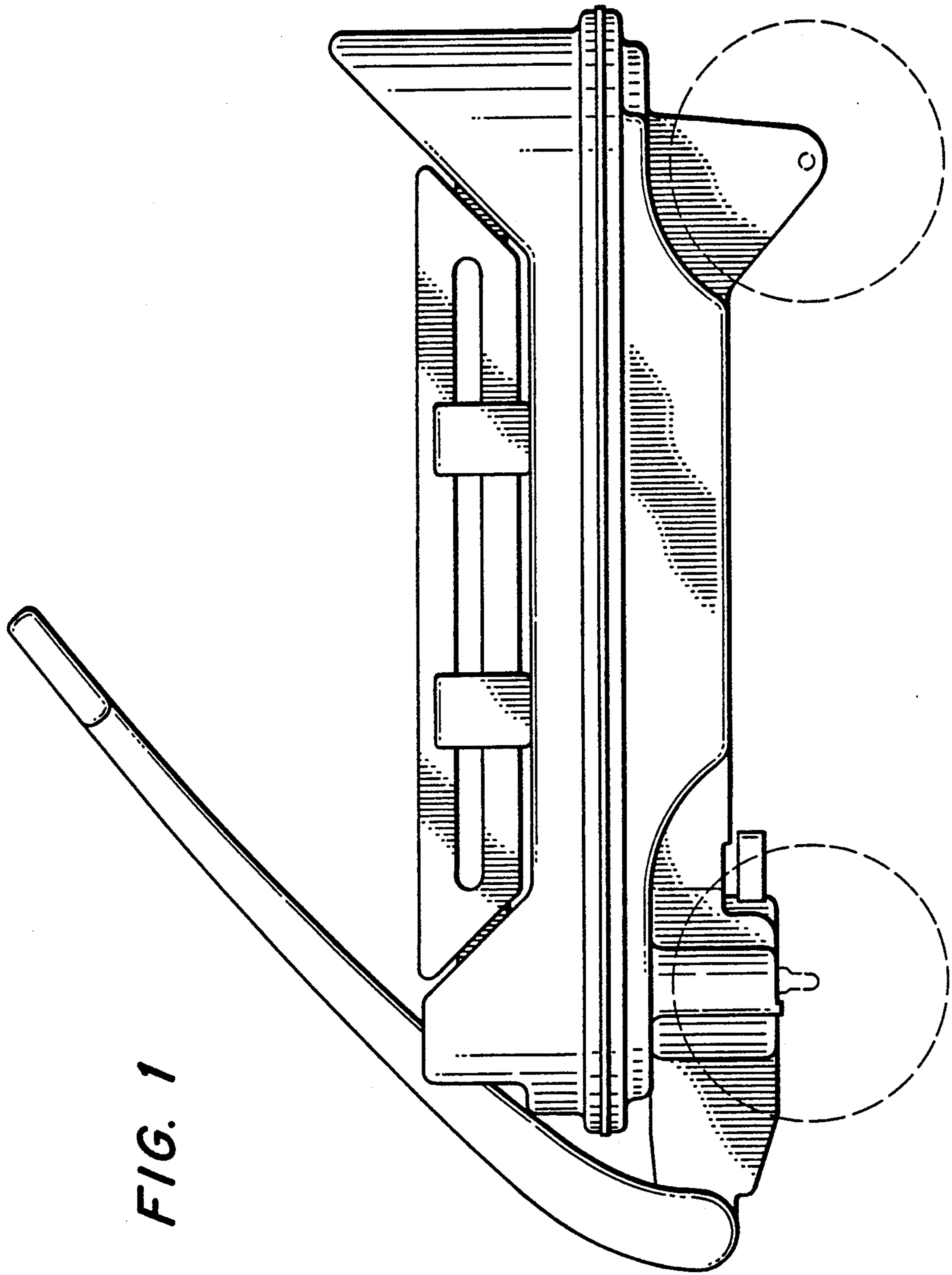


FIG. 1

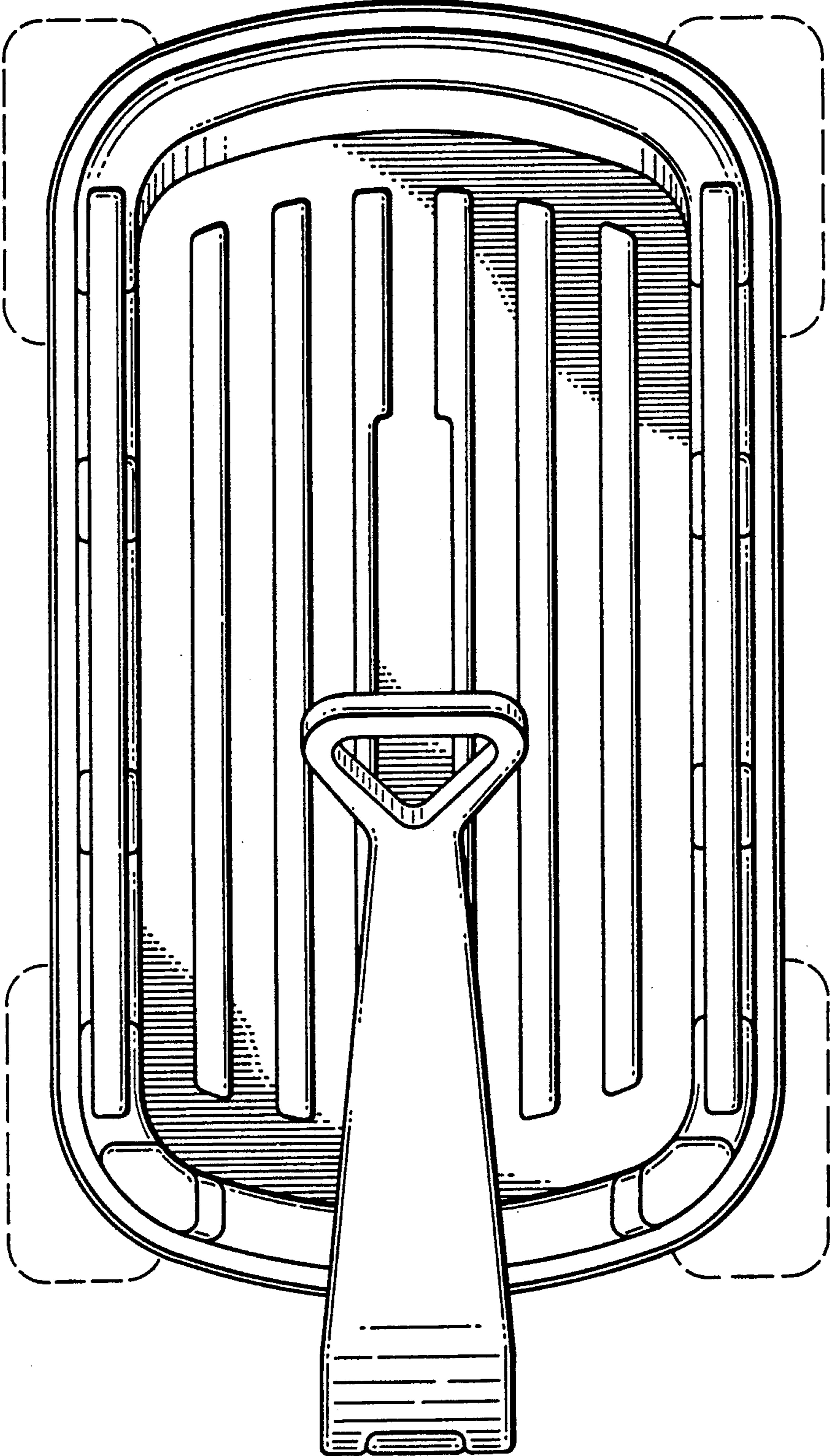
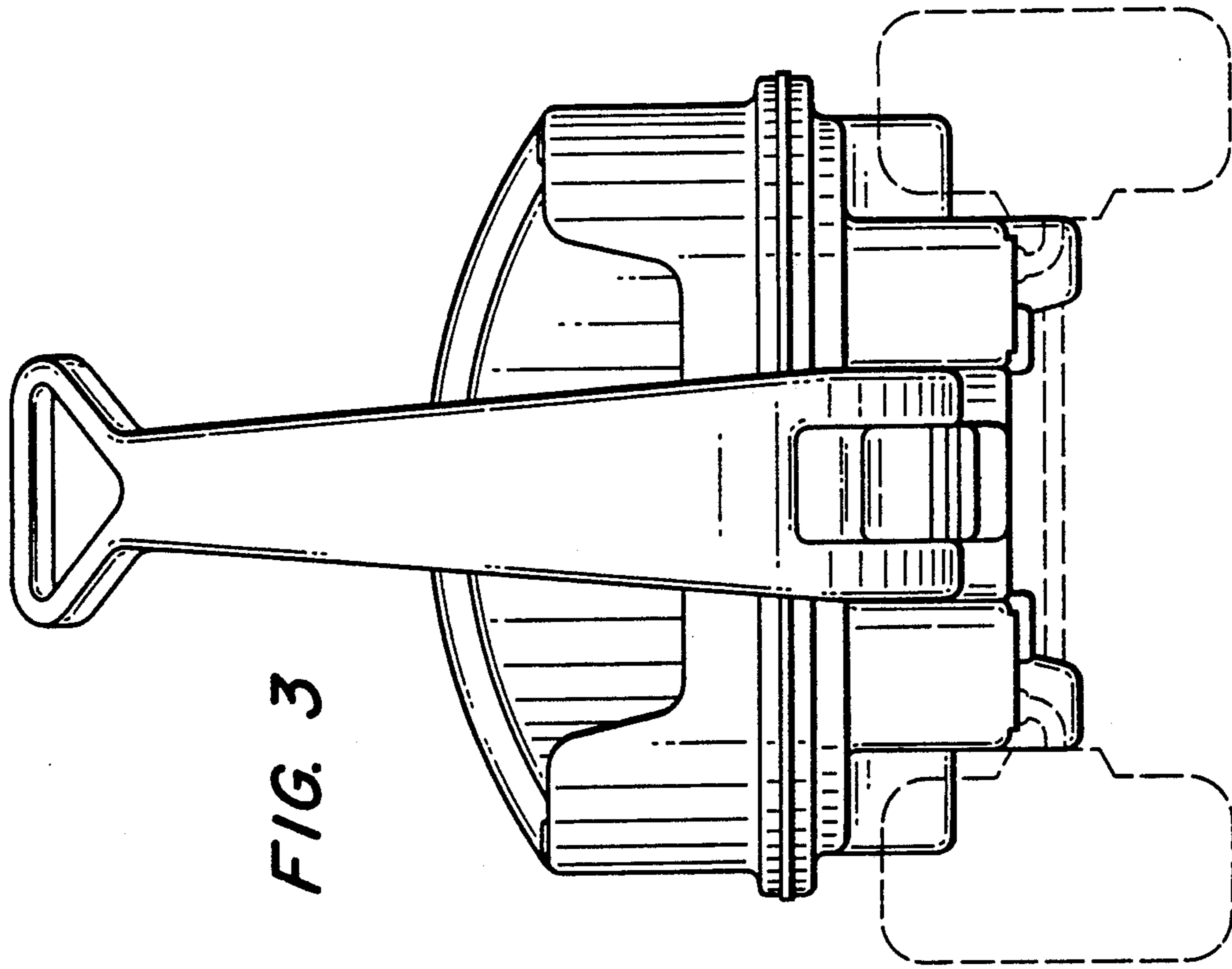
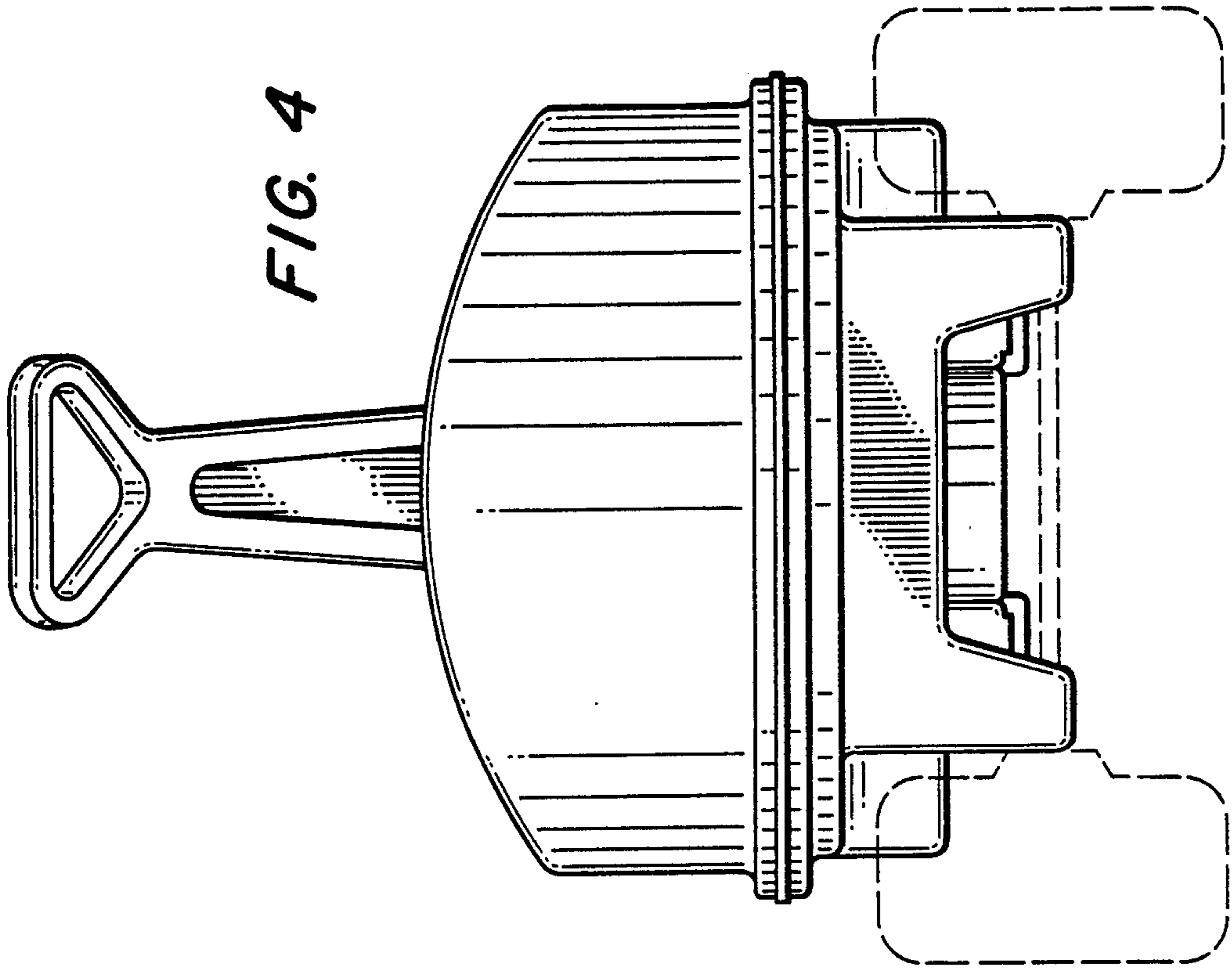


FIG. 2



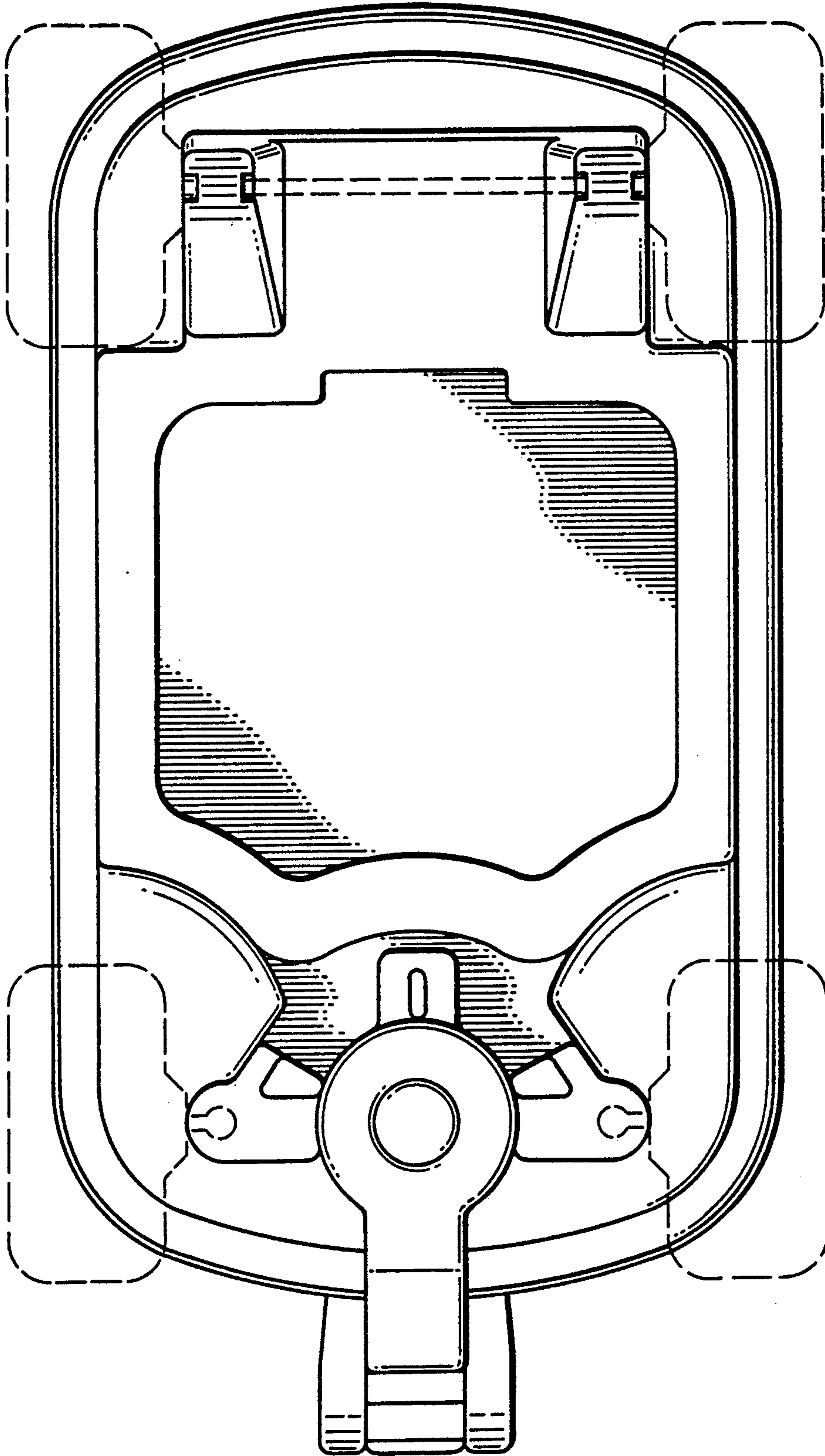


FIG. 5

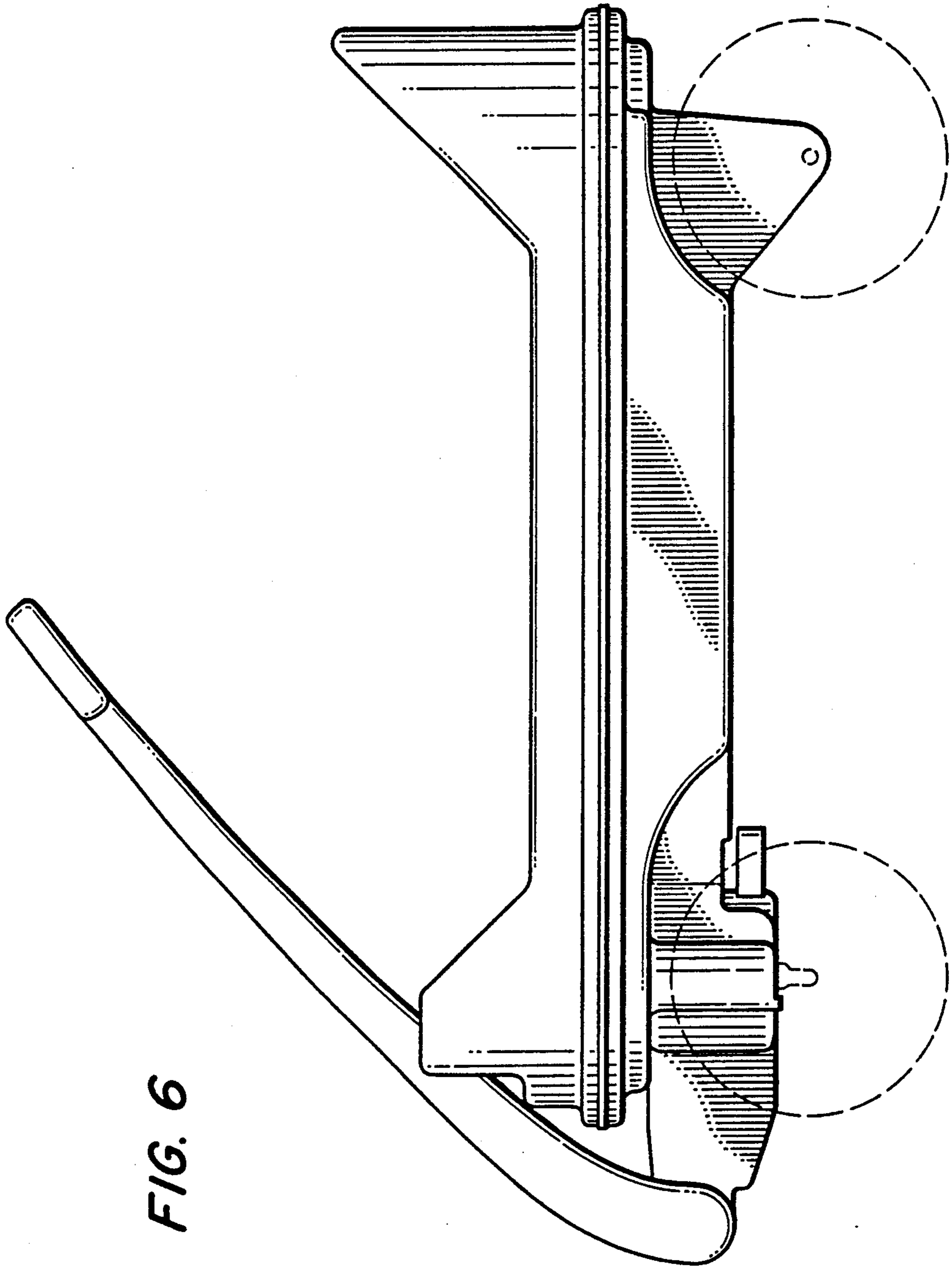


FIG. 6

UNITED STATES PATENT AND TRADEMARK OFFICE
CERTIFICATE OF CORRECTION

PATENT NO. : Des. 316,576

DATED : April 30, 1991

INVENTOR(S) : Maarten W. VanHuystee

It is certified that error appears in the above—identified patent and that said Letters Patent is hereby corrected as shown below:

Cover page, item [73] The name of the assignee should read The Quaker Oats Company, Chicago, Ill.

**Signed and Sealed this
Fifteenth Day of September, 1992**

Attest:

DOUGLAS B. COMER

Attesting Officer

Acting Commissioner of Patents and Trademarks