

[54] SIMULATIVE ROCKING TOY  
 [75] Inventor: Nancy Warren, Greensboro, N.C.  
 [73] Assignee: Rosalco, Inc., Louisville, Ky.  
 [\*\*] Term: 14 Years  
 [21] Appl. No.: 416,265  
 [22] Filed: Oct. 2, 1989  
 [52] U.S. Cl. .... D21/68  
 [58] Field of Search ..... D21/62-74

D. 148,724 2/1948 Schauenberg ..... D21/69  
 D. 225,759 1/1973 Holman ..... D21/70  
 D. 244,631 6/1977 Kyte ..... D21/70  
 D. 256,069 7/1980 Johnson ..... D6/11  
 D. 301,724 6/1989 Tohl ..... D21/74  
 1,498,041 6/1924 Keil .  
 2,232,958 2/1941 McKenzie ..... 272/52

Primary Examiner—Charles A. Rademaker  
 Attorney, Agent, or Firm—Rhodes, Coats & Bennett

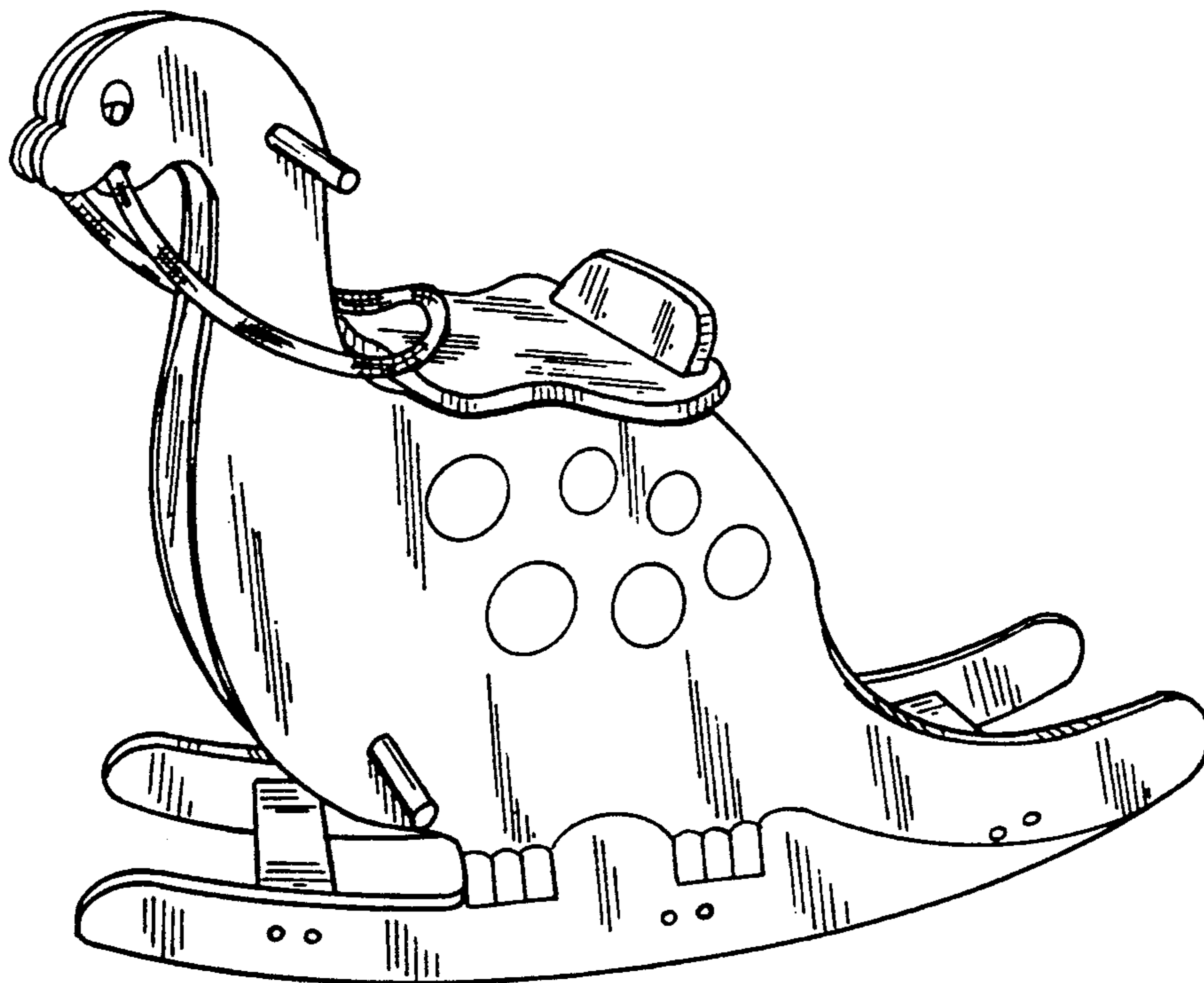
[57] CLAIM

The ornamental design for a simulative rocking toy, as shown and described.

DESCRIPTION

FIG. 1 is a front perspective view of a simulative rocking toy showing my new design, the side opposite being a mirror image;  
 FIG. 2 is a top plan view thereof;  
 FIG. 3 is a front elevational view thereof; and  
 FIG. 4 is a rear elevational view thereof.

[56] References Cited  
 U.S. PATENT DOCUMENTS  
 D. 43,948 4/1913 St. Denis .  
 D. 58,118 6/1921 Townsend ..... D21/66  
 D. 59,334 10/1921 Clouser ..... D21/70  
 D. 85,430 10/1931 Gould .  
 D. 102,246 12/1936 Arnold ..... D21/69  
 D. 139,800 12/1944 Brown ..... D21/70



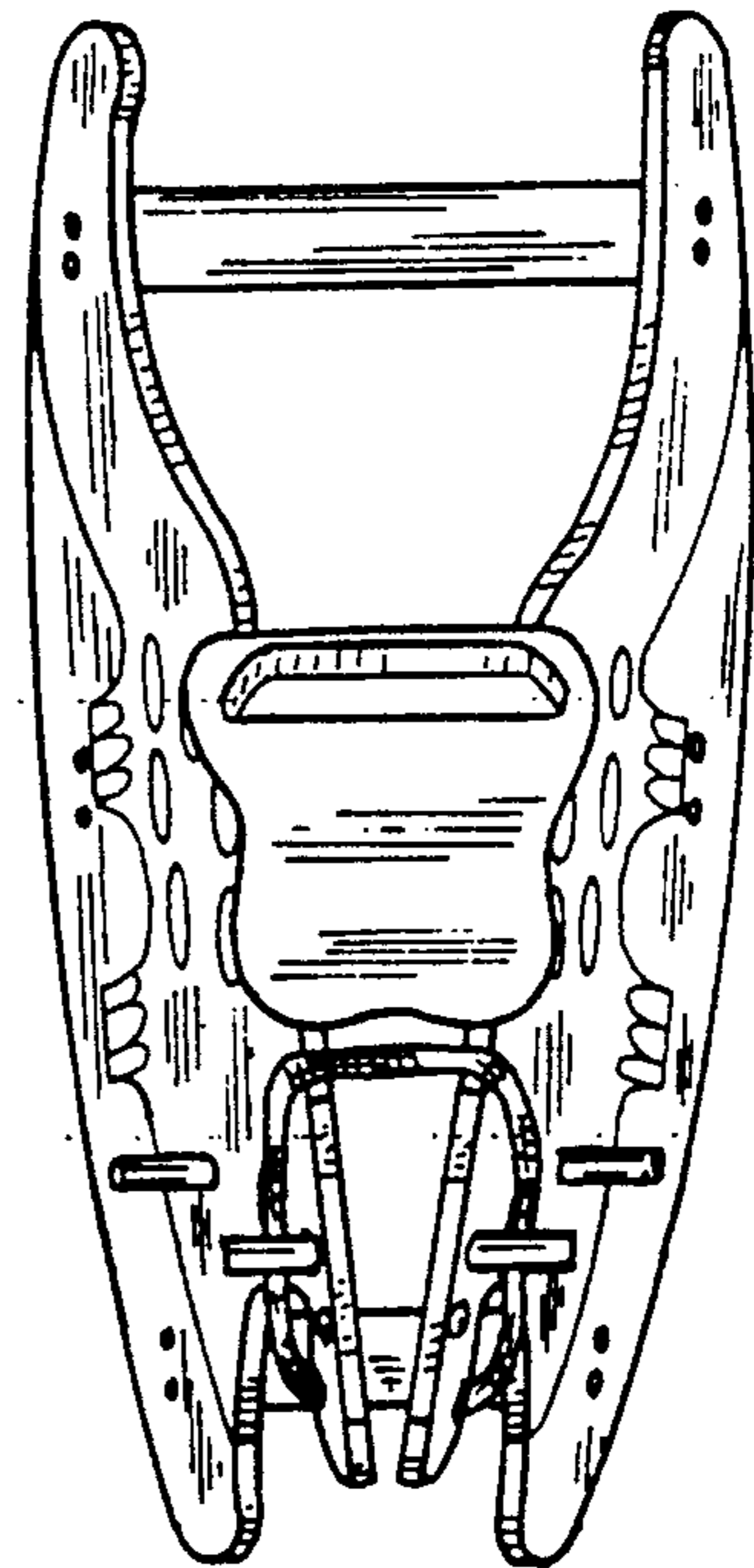
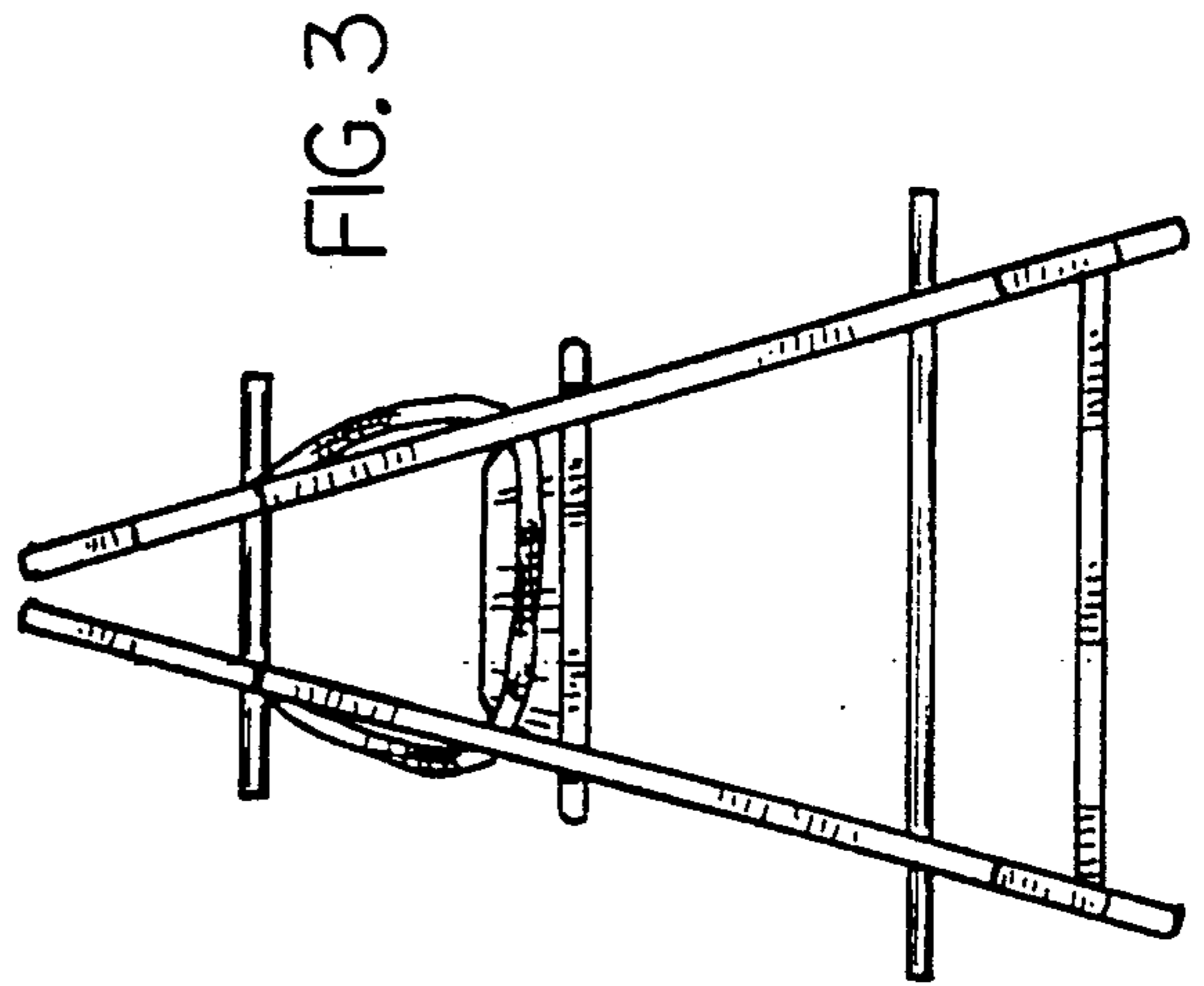
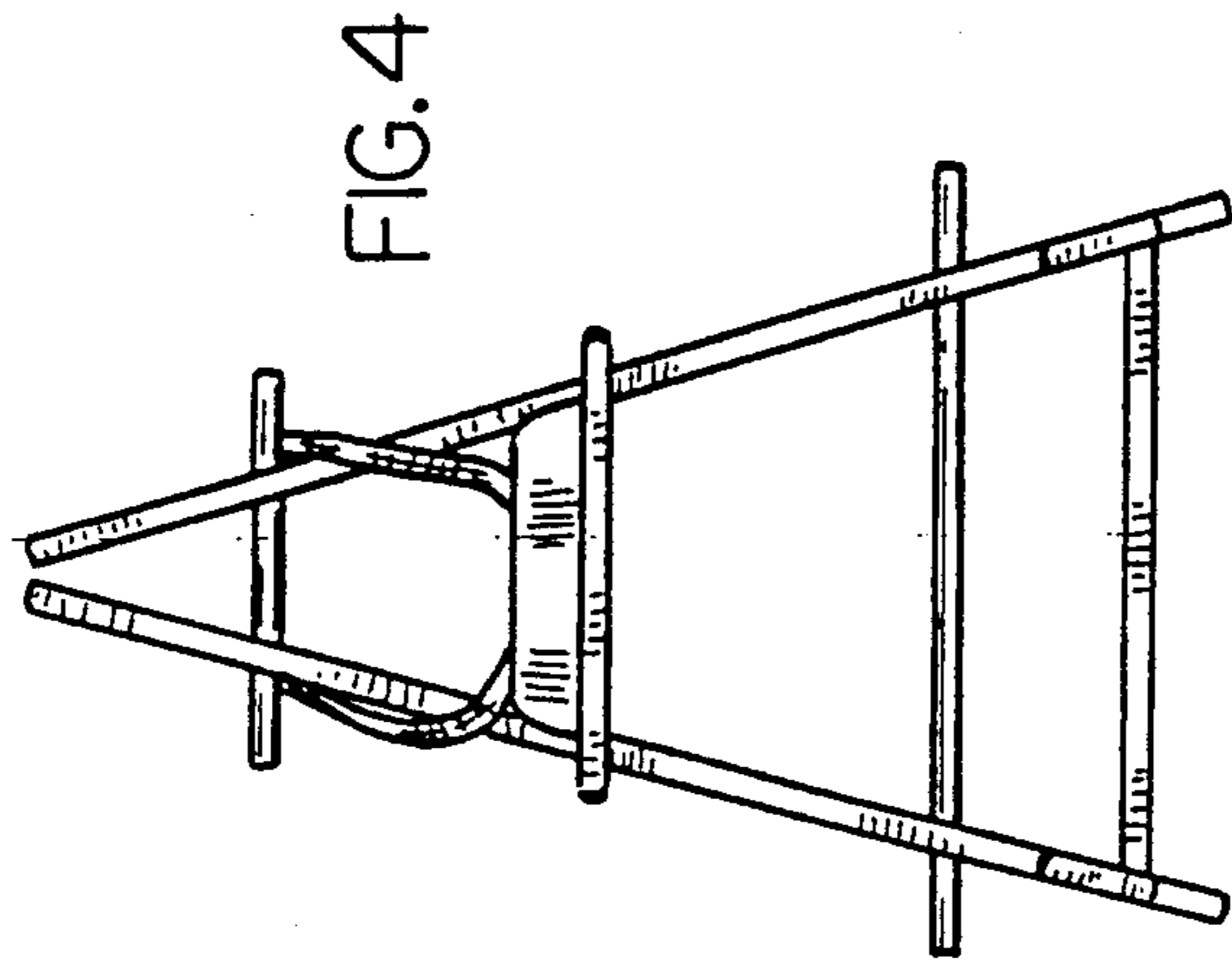
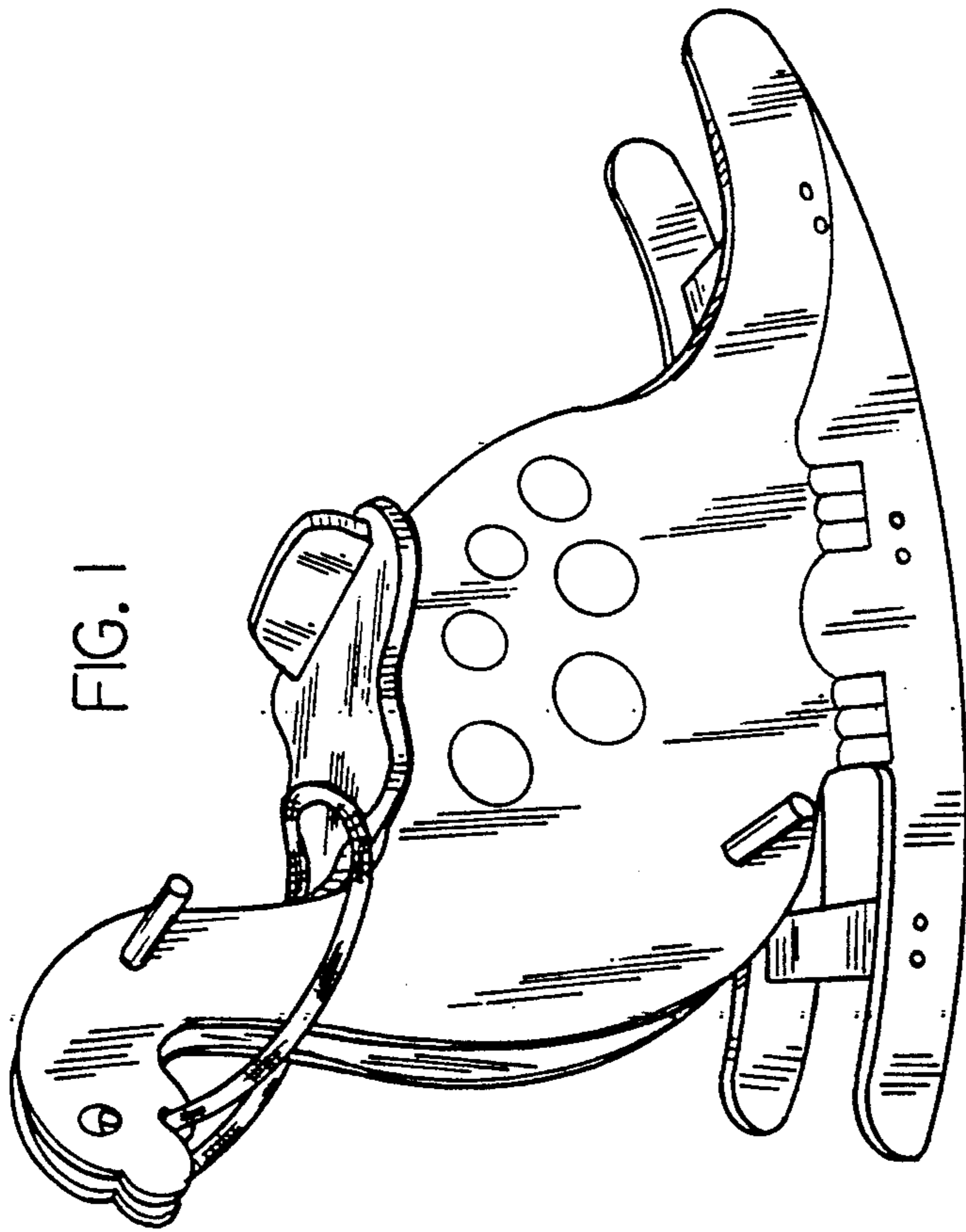


FIG. 2

FIG. 1

FIG. 4

FIG. 3