

[54] WATER BALL GAME CONTROL VALVE

[75] Inventors: Mark W. Fuller, Studio City; Alan S. Robinson, El Monte; John Werner, Sunland, all of Calif.

[73] Assignee: Wet Enterprises, Inc., Burbank, Calif.

[\*\*] Term: 14 Years

[21] Appl. No.: 180,014

[22] Filed: Apr. 11, 1988

[52] U.S. Cl. .... D21/59

[58] Field of Search ..... D21/59; D12/174; 273/26 R, 26 D; 446/186

[56] References Cited

U.S. PATENT DOCUMENTS

- 1,558,454 10/1925 Barthel et al. .... D12/174 X
- 3,377,741 4/1968 Ryan ..... 446/186
- 4,946,164 8/1990 Foiler et al. .... 446/186 X

OTHER PUBLICATIONS

J. C. Whitney, 1982, p. 96, Barefoot Accelerator Pedal.

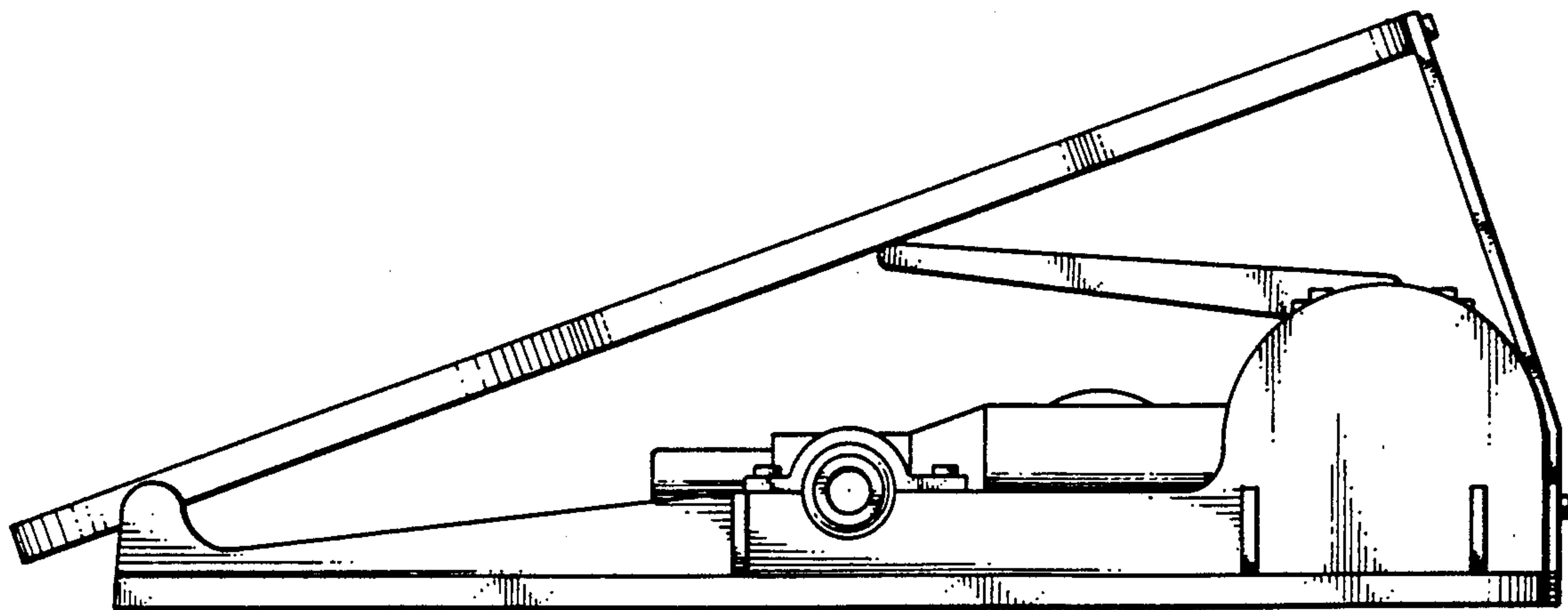
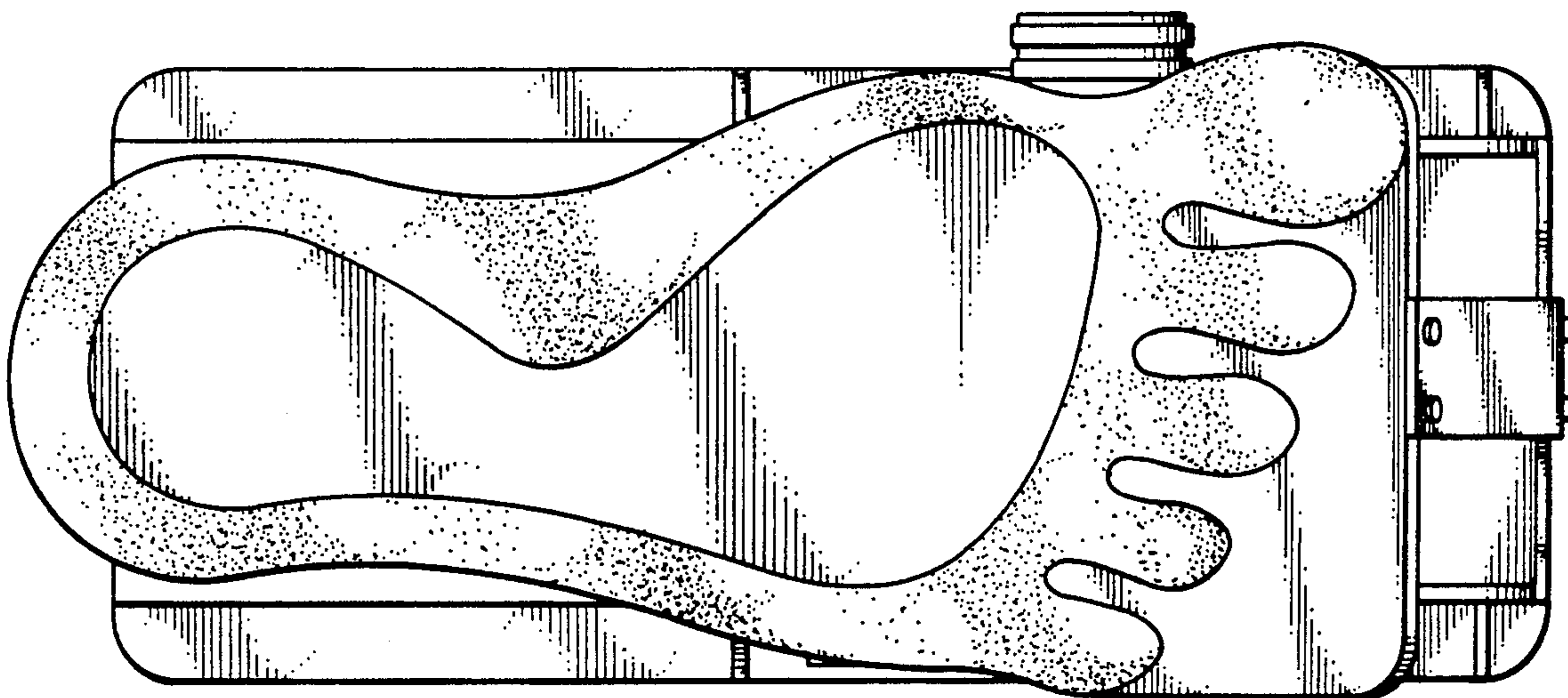
Primary Examiner—Bernard Ansher  
Assistant Examiner—Terry A. Pfeffer  
Attorney, Agent, or Firm—Blakely, Sokoloff, Taylor & Zafman

[57] CLAIM

An ornamental design for a water ball game control valve, as shown.

DESCRIPTION

FIG. 1 is a top plan view of a water ball game control valve showing our new design; FIG. 2 is a left side elevational view thereof; FIG. 3 is a front elevational view thereof; FIG. 4 is a right side elevational view thereof; FIG. 5 is a rear elevational view thereof; and FIG. 6 is a bottom plan view thereof.



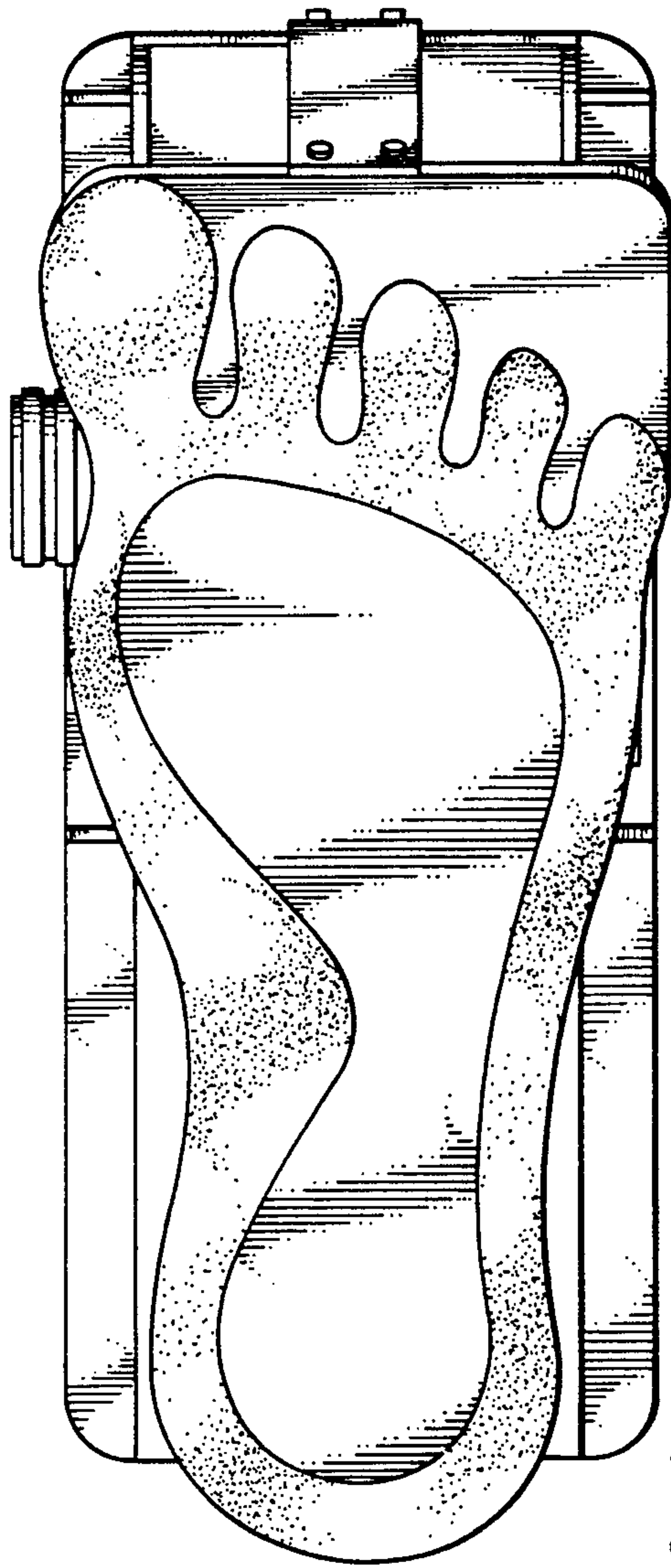


FIG. 1

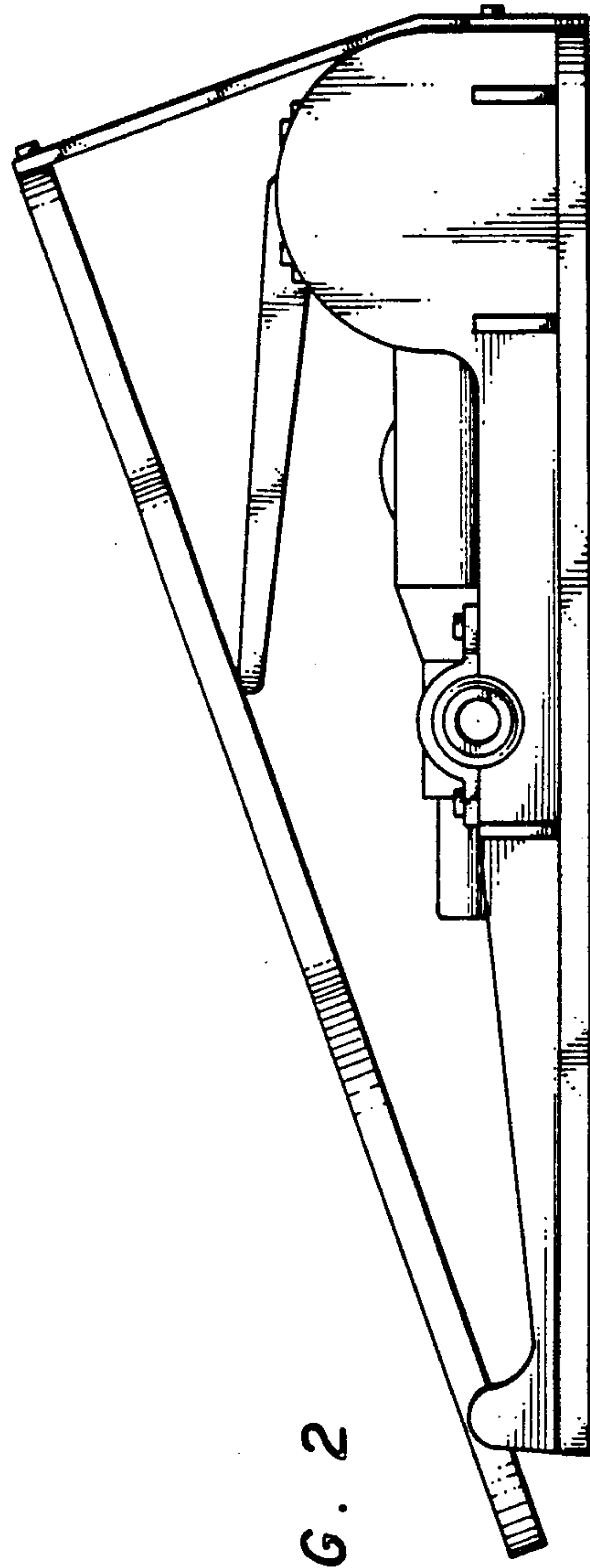


FIG. 2

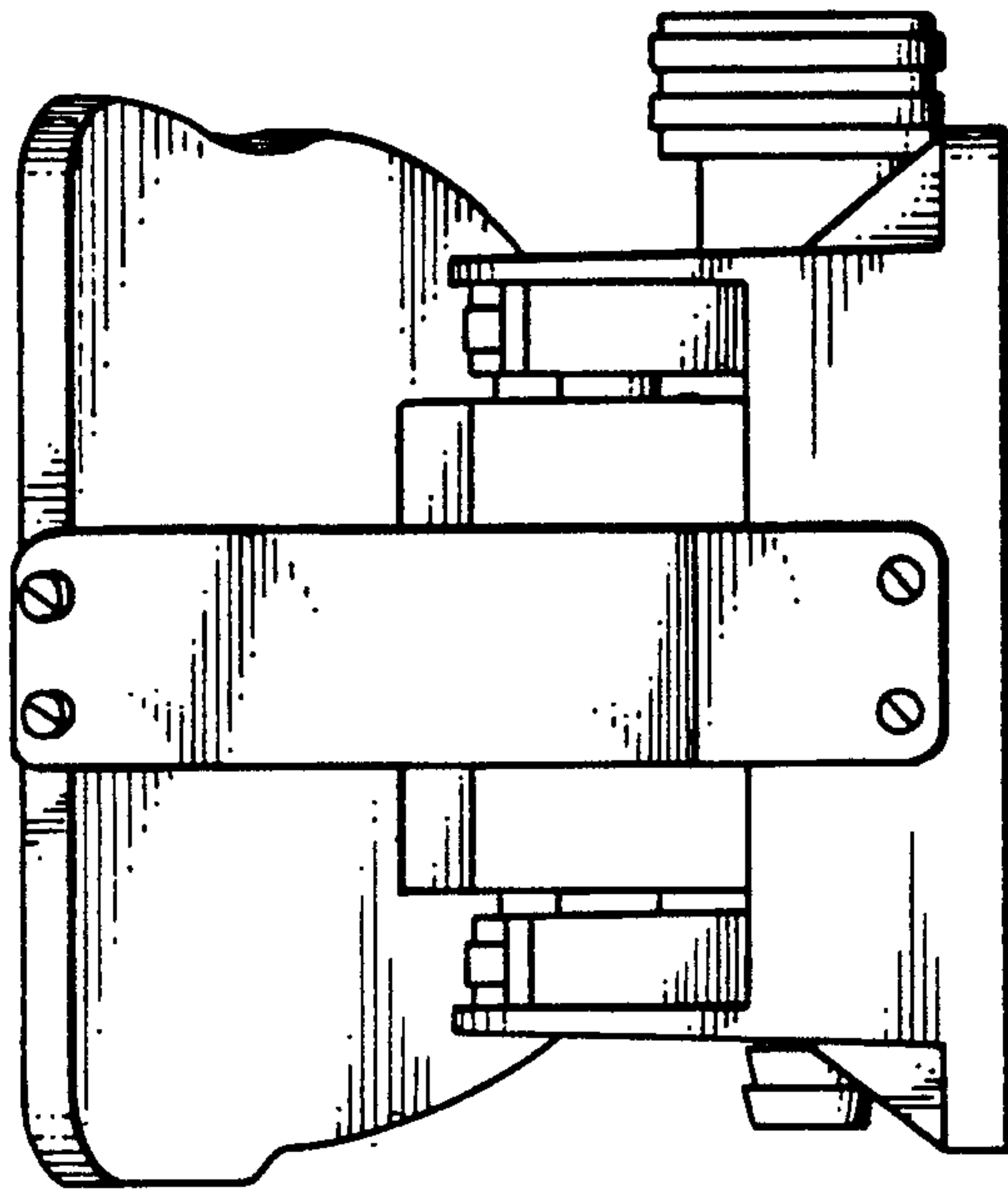


FIG. 3

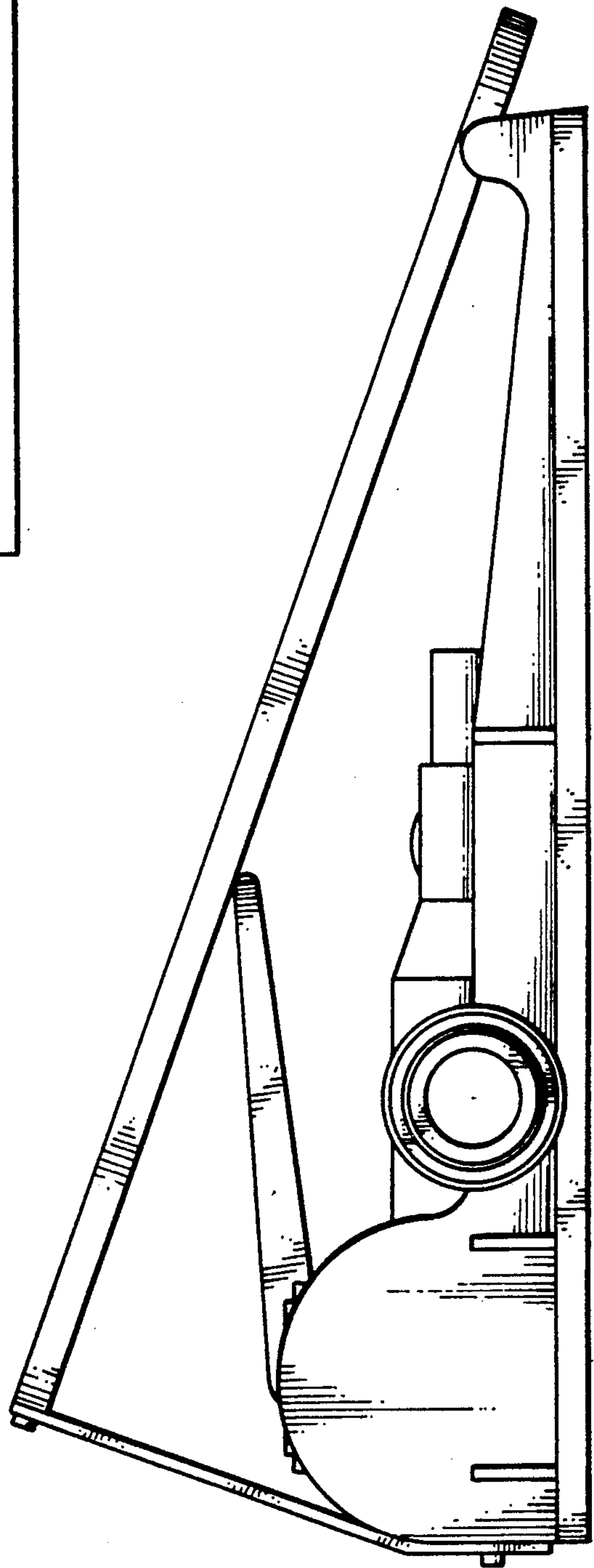


FIG. 4

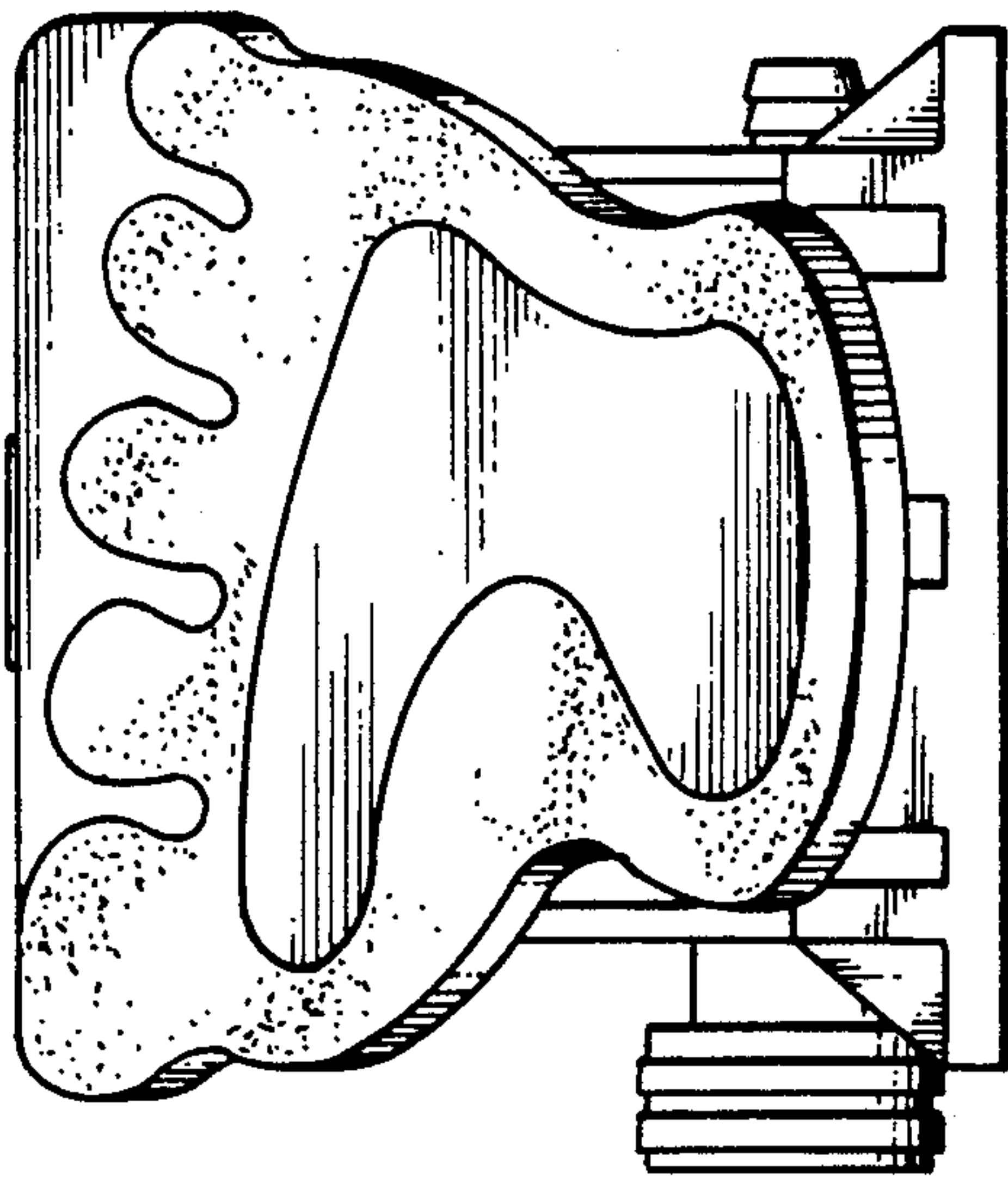


FIG. 5

FIG. 6

