

# United States Patent [19]

Leggate et al.

[11] Patent Number: Des. 316,569

[45] Date of Patent: \*\* Apr. 30, 1991

[54] DISPLAY SIGN

[75] Inventors: William E. Leggate, Richmond;  
Michael G. Sirois, Ottawa, both of  
Canada

[73] Assignee: Popmedia Ltd., Ottawa, Canada

[\*\*] Term: 14 Years

[21] Appl. No.: 267,004

[22] Filed: Nov. 4, 1988

[30] Foreign Application Priority Data

May 6, 1988 [CA] Canada ..... 06-05-88-2

[52] U.S. Cl. .... D20/10; D20/42

[58] Field of Search ..... D20/10, 43, 42, 39;  
40/617, 618, 624, 606, 605

[56] References Cited

U.S. PATENT DOCUMENTS

1,232,189 7/1917 Bernstein ..... 40/617

1,844,545 2/1932 Donaldson ..... 40/624  
1,956,303 4/1934 Watson ..... 40/617  
3,102,351 9/1963 Howell ..... D20/39  
3,181,274 5/1965 Izenour ..... 40/617

Primary Examiner—Wallace R. Burke

Assistant Examiner—Marcus Jackson

Attorney, Agent, or Firm—Fleit, Jacobson, Cohn, Price,  
Holman & Stern

[57] CLAIM

The ornamental design for a display sign, as shown and  
described.

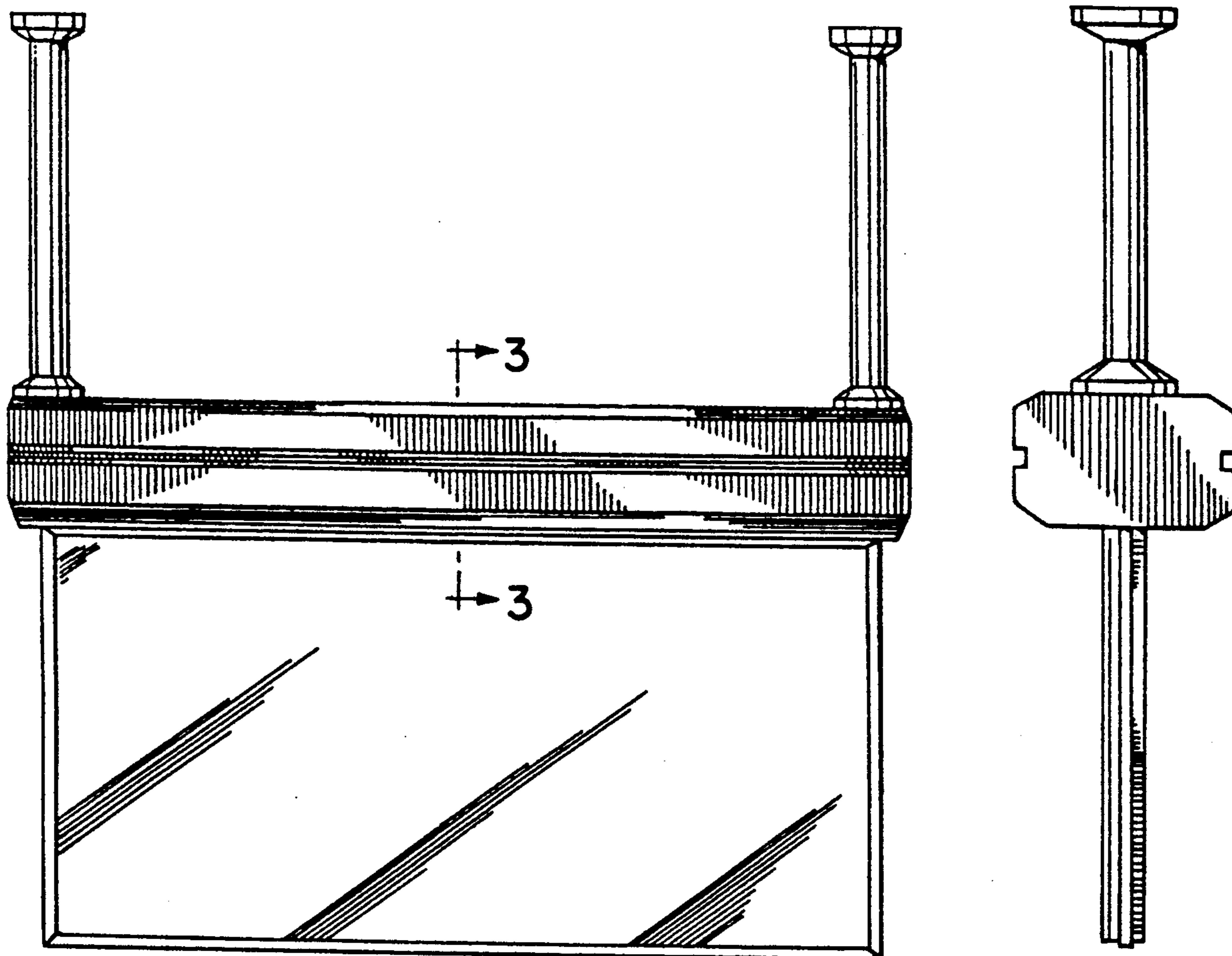
## DESCRIPTION

FIG. 1 is a front elevational view of a display sign  
showing our new design;

FIG. 2 is a side elevational view, with the opposite side  
being a mirror image thereof;

FIG. 3 is a sectional view taken along line 3—3 of FIG.  
1; and

FIG. 4 is a rear perspective view thereof.



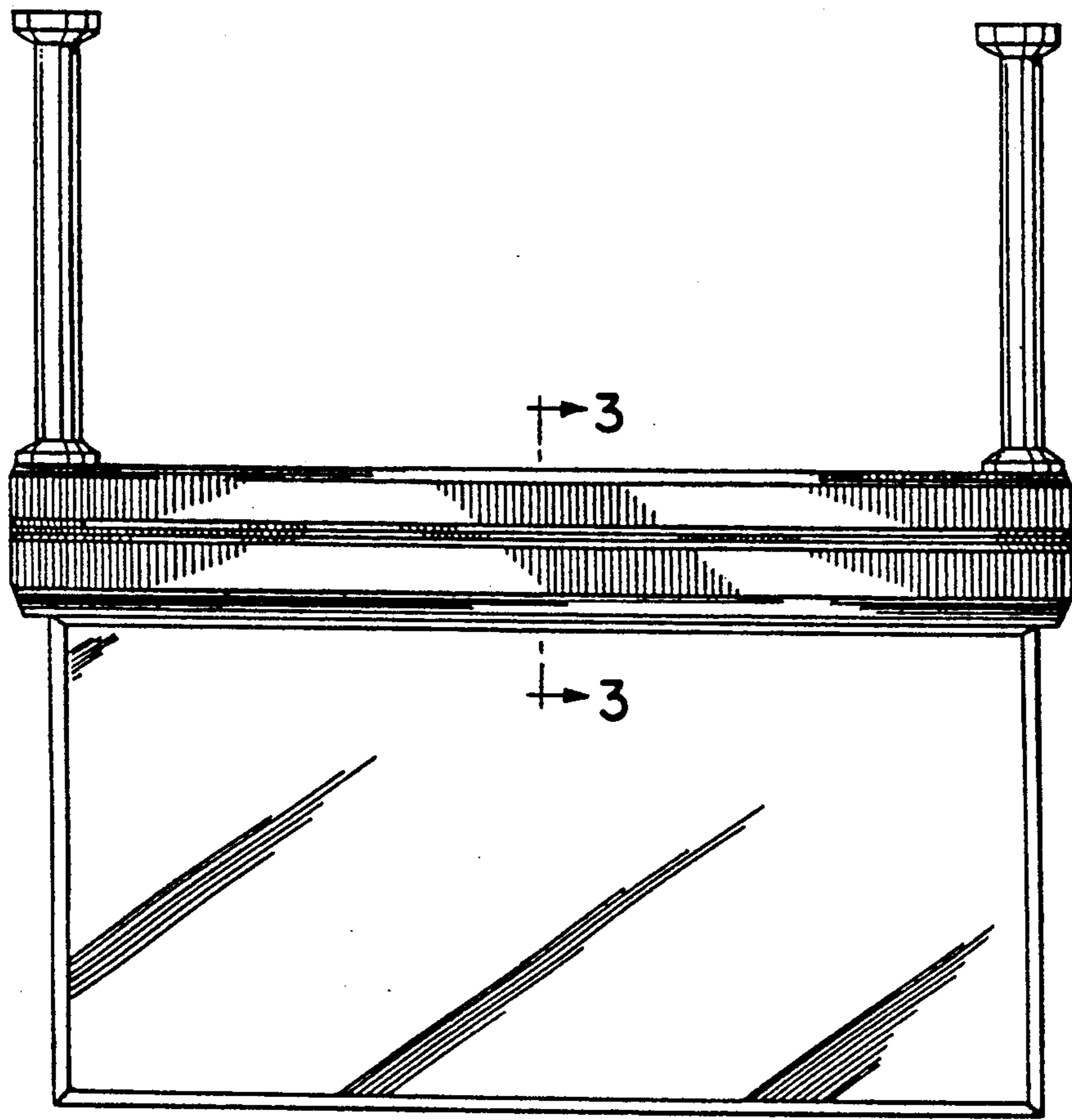


FIG. 1

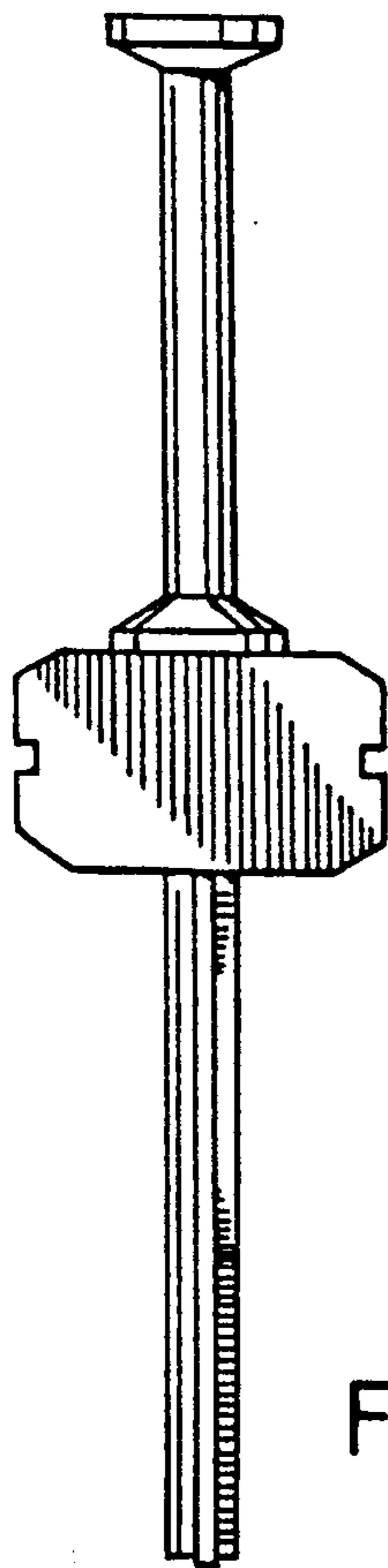


FIG. 2

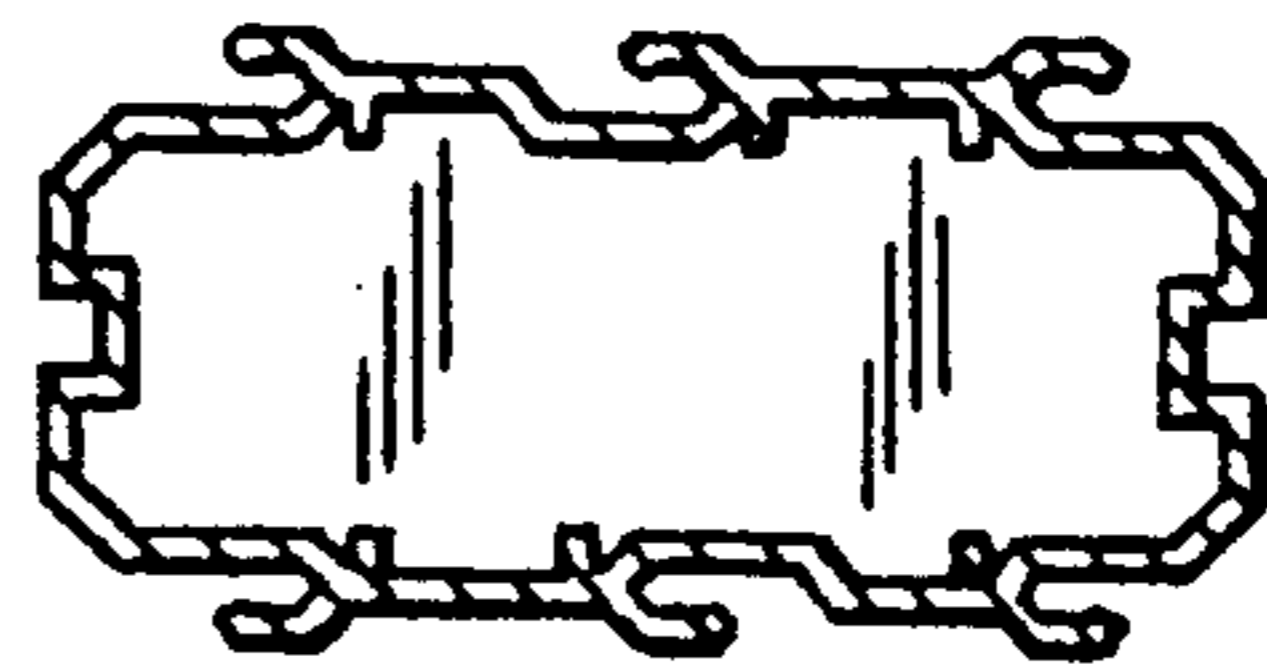


FIG. 3

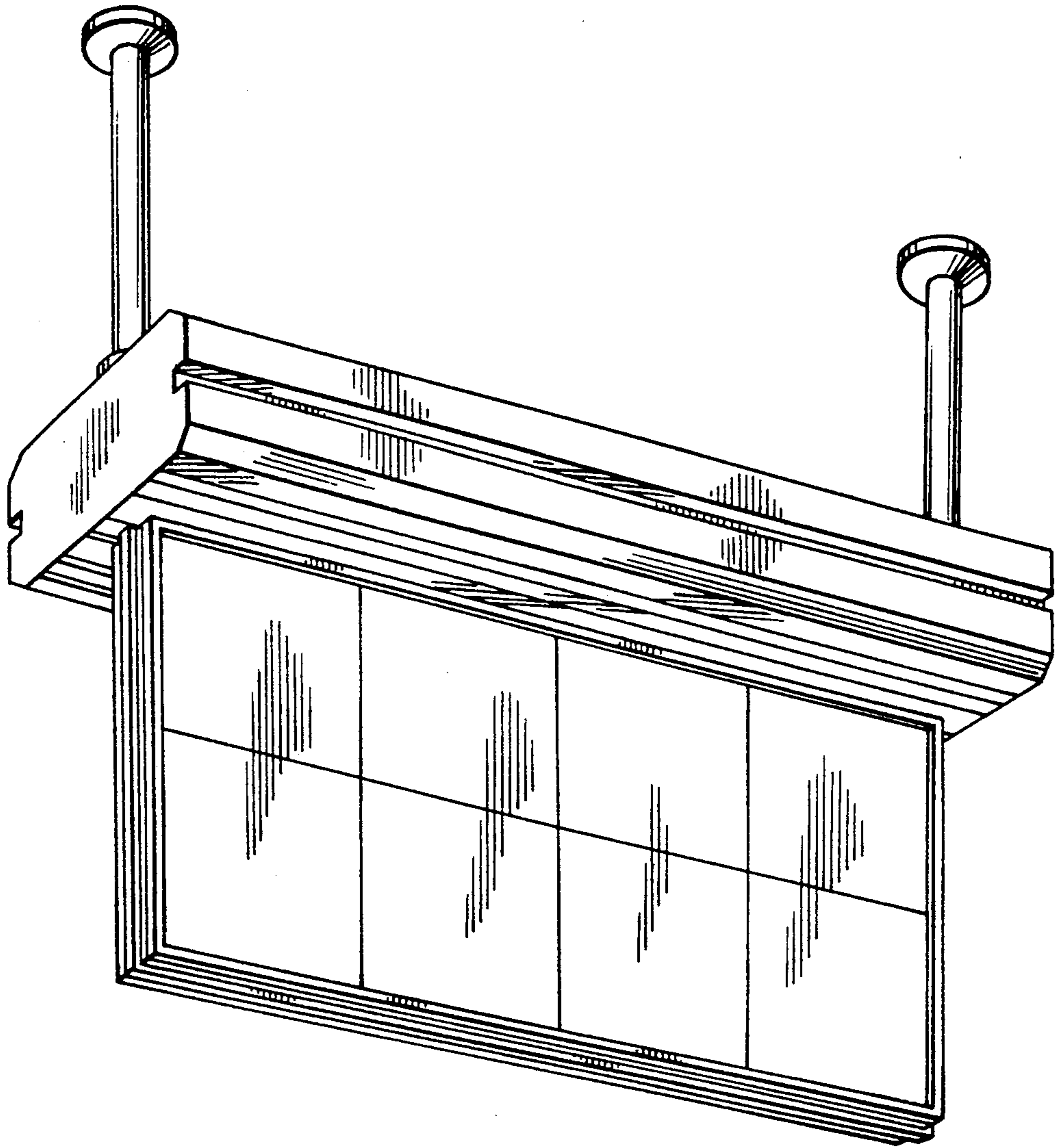


FIG. 4