

[54] INK RIBBON CARTRIDGE

[75] Inventor: Akira Koyabu, Nagano, Japan

[73] Assignee: Seiko Epson Corporation, Tokyo, Japan

[**] Term: 14 Years

[21] Appl. No.: 418,619

[22] Filed: Oct. 5, 1989

[30] Foreign Application Priority Data

Apr. 17, 1989 [JP] Japan 1-14216

[52] U.S. Cl. D18/12

[58] Field of Search D18/12, 22, 99; 400/194, 195, 196, 196.1, 207, 208

[56] References Cited

U.S. PATENT DOCUMENTS

4,279,522 7/1981 Yonkers 400/195 X

4,293,234 10/1981 Yonkers et al. 400/195 X
4,343,556 8/1982 Kobayashi 400/196.1

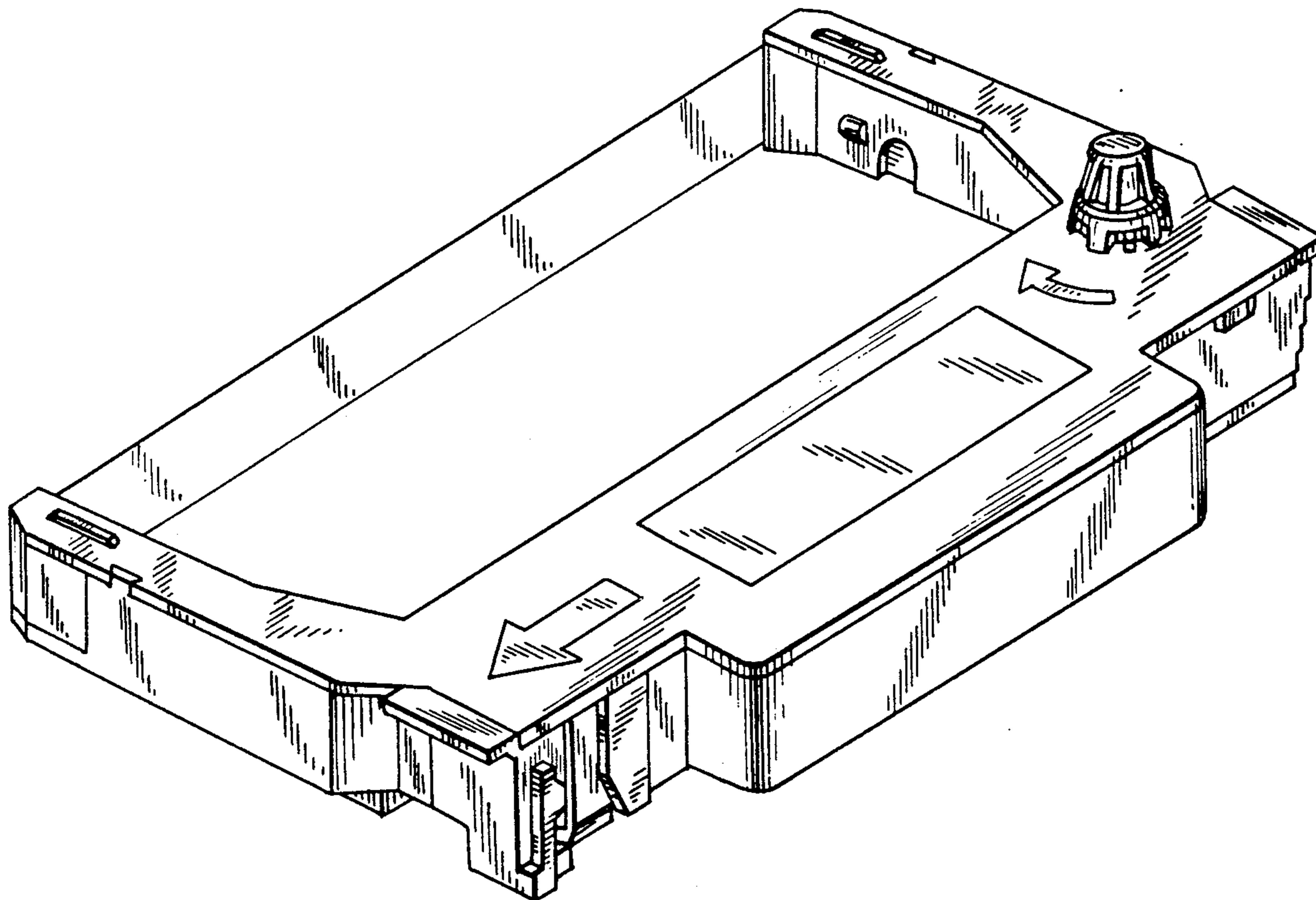
Primary Examiner—Nelson C. Holtje
Assistant Examiner—Caron D. Veynar
Attorney, Agent, or Firm—Kaplan Blum

[57] CLAIM

The ornamental design for an ink ribbon cartridge, as shown and described.

DESCRIPTION

FIG. 1 is a top plan view of an ink ribbon cartridge showing my new design;
FIG. 2 is a front elevational view thereof;
FIG. 3 is a left side elevational view thereof;
FIG. 4 is a right side elevational view thereof;
FIG. 5 is a rear elevational view thereof;
FIG. 6 is a bottom plan view thereof; and
FIG. 7 is a top, rear and right side perspective view thereof, shown on an enlarged scale.



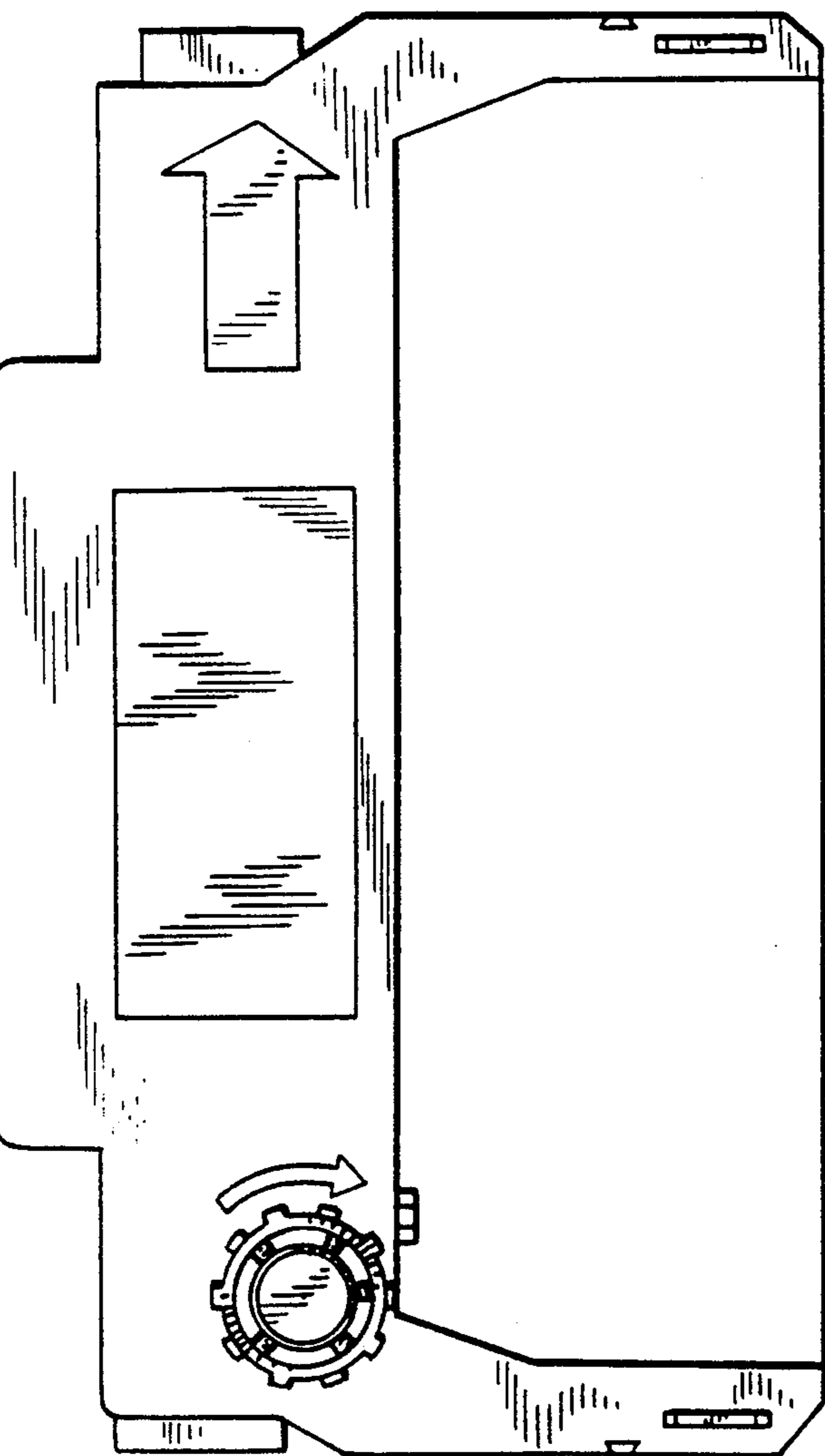


FIG. 1

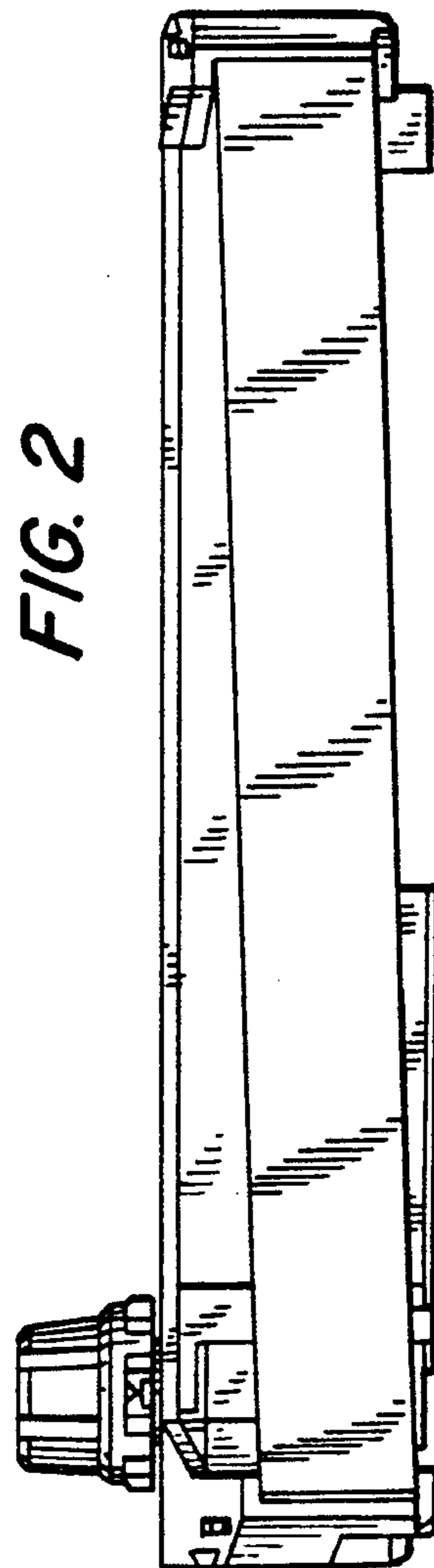


FIG. 2

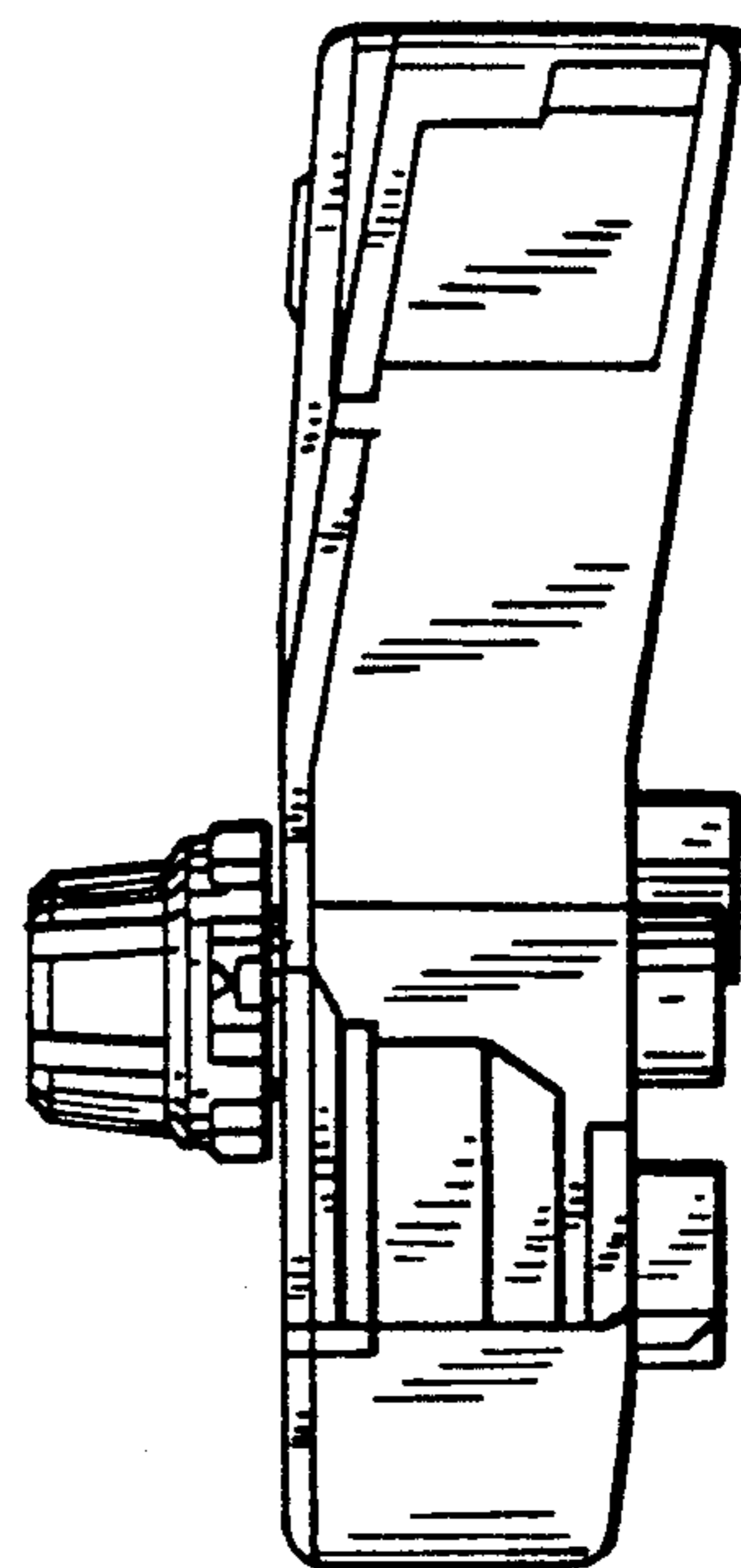


FIG. 3

FIG. 5

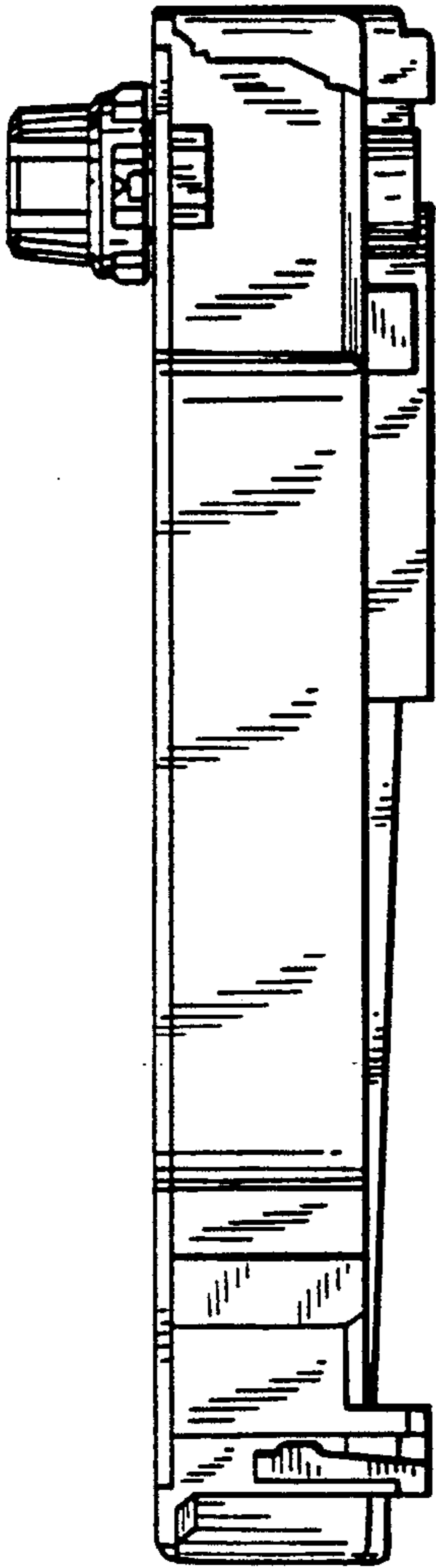


FIG. 4

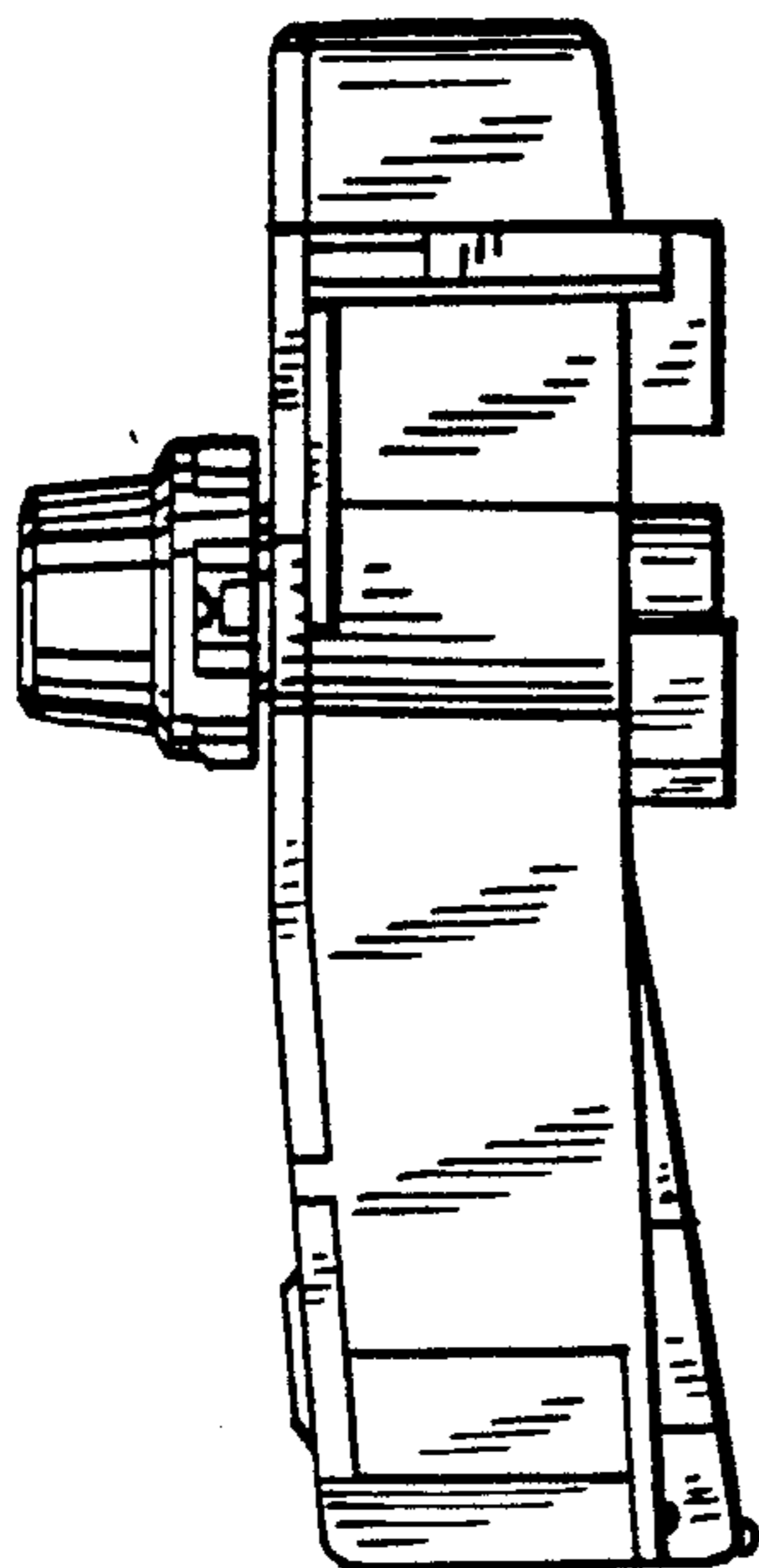
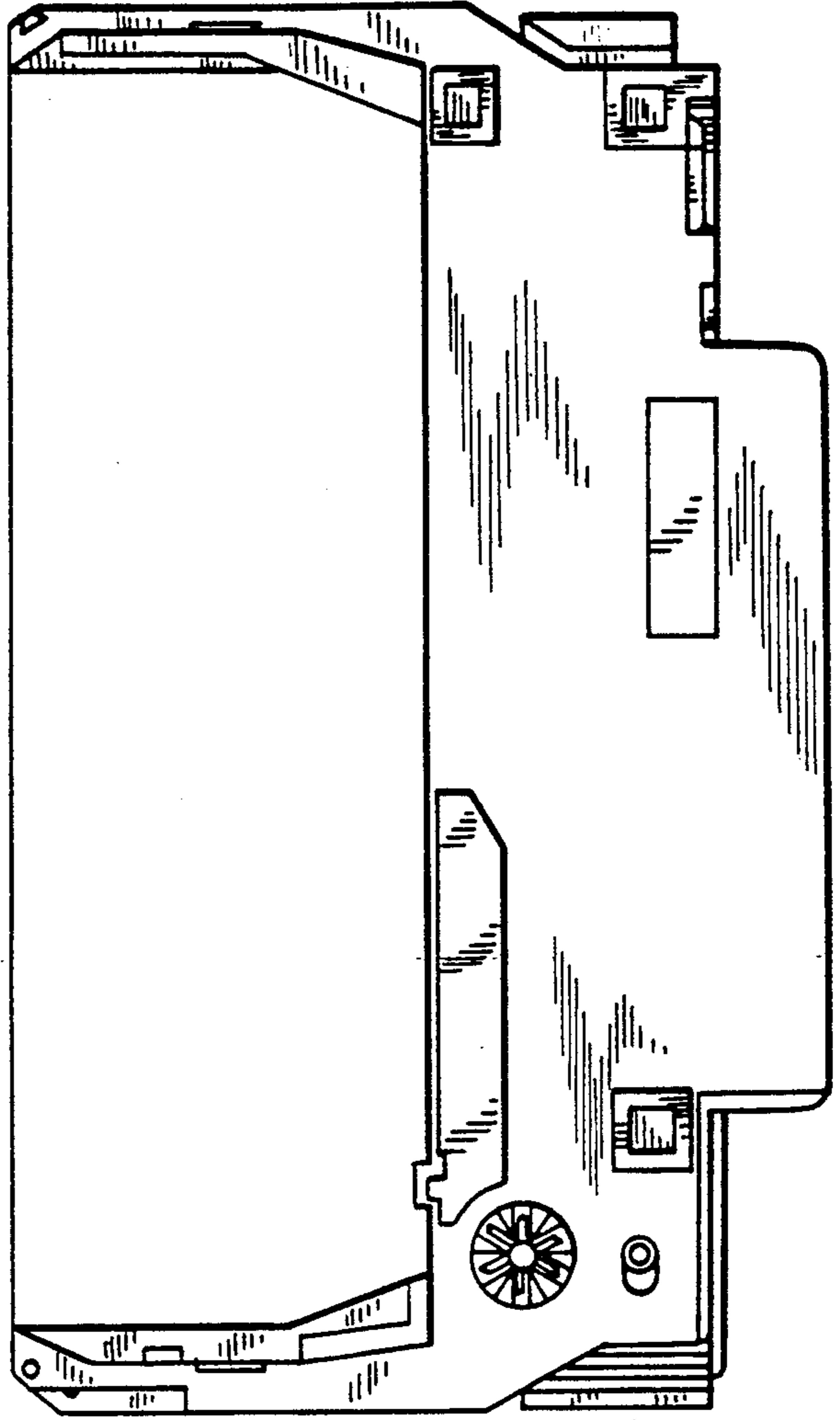


FIG. 6



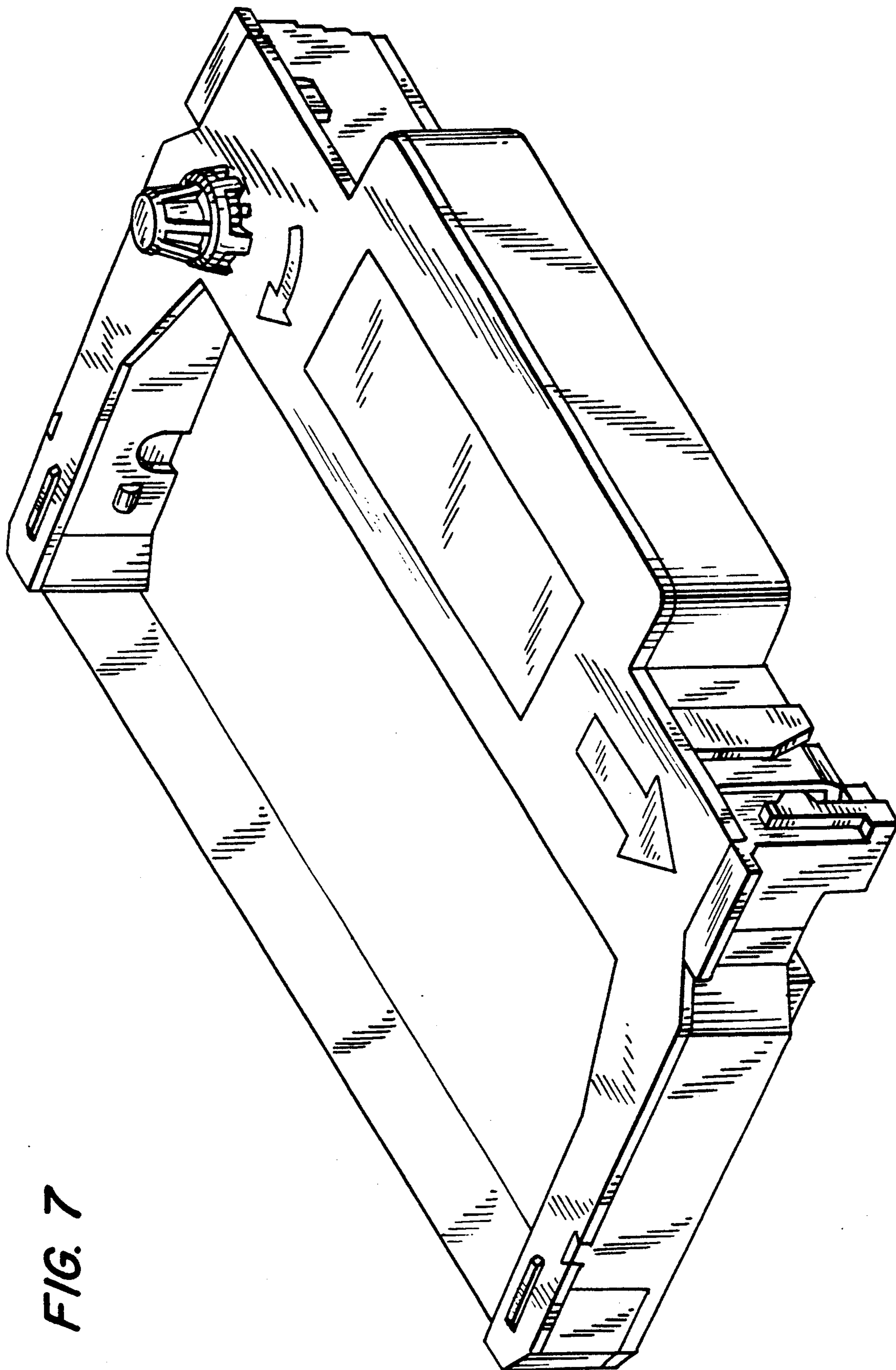


FIG. 7