

[54] COMBINED VIDEO CAMERA AND VIDEO TAPE RECORDER

4,511,932 4/1985 Ushiro 358/906

[75] Inventors: Hiroshi Ooi; Atsuko Hattori, both of Osaka, Japan

[73] Assignee: Sharp Corporation, Osaka, Japan

[**] Term: 14 Years

[21] Appl. No.: 204,182

[22] Filed: Jun. 8, 1988

[30] Foreign Application Priority Data

Dec. 11, 1987 [JP] Japan 62-50843

[52] U.S. Cl. D16/202

[58] Field of Search D16/200, 201, 202, 203, D16/204, 205, 208, 209; 354/79, 82, 288; 358/229, 906, 909

[56] References Cited

U.S. PATENT DOCUMENTS

- D. 214,345 6/1969 Hansen D16/205
- D. 215,124 9/1969 Olson D16/205
- D. 288,811 3/1987 Kurokawa et al. D16/202

OTHER PUBLICATIONS

IEEE Transactions on Consumer Electronics, vol. CE-27, No. 3 (Aug. 1981).

Primary Examiner—Bernard Ansher
Assistant Examiner—Adir Aronovich
Attorney, Agent, or Firm—Flehr, Hohbach, Test, Albritton & Herbert

[57] CLAIM

The ornamental design for a combined video camera and video tape recorder, as shown.

DESCRIPTION

FIG. 1 is a right side elevational view of the combined video camera and video tape recorder showing our new design;

FIG. 2 is a left side elevational view thereof;

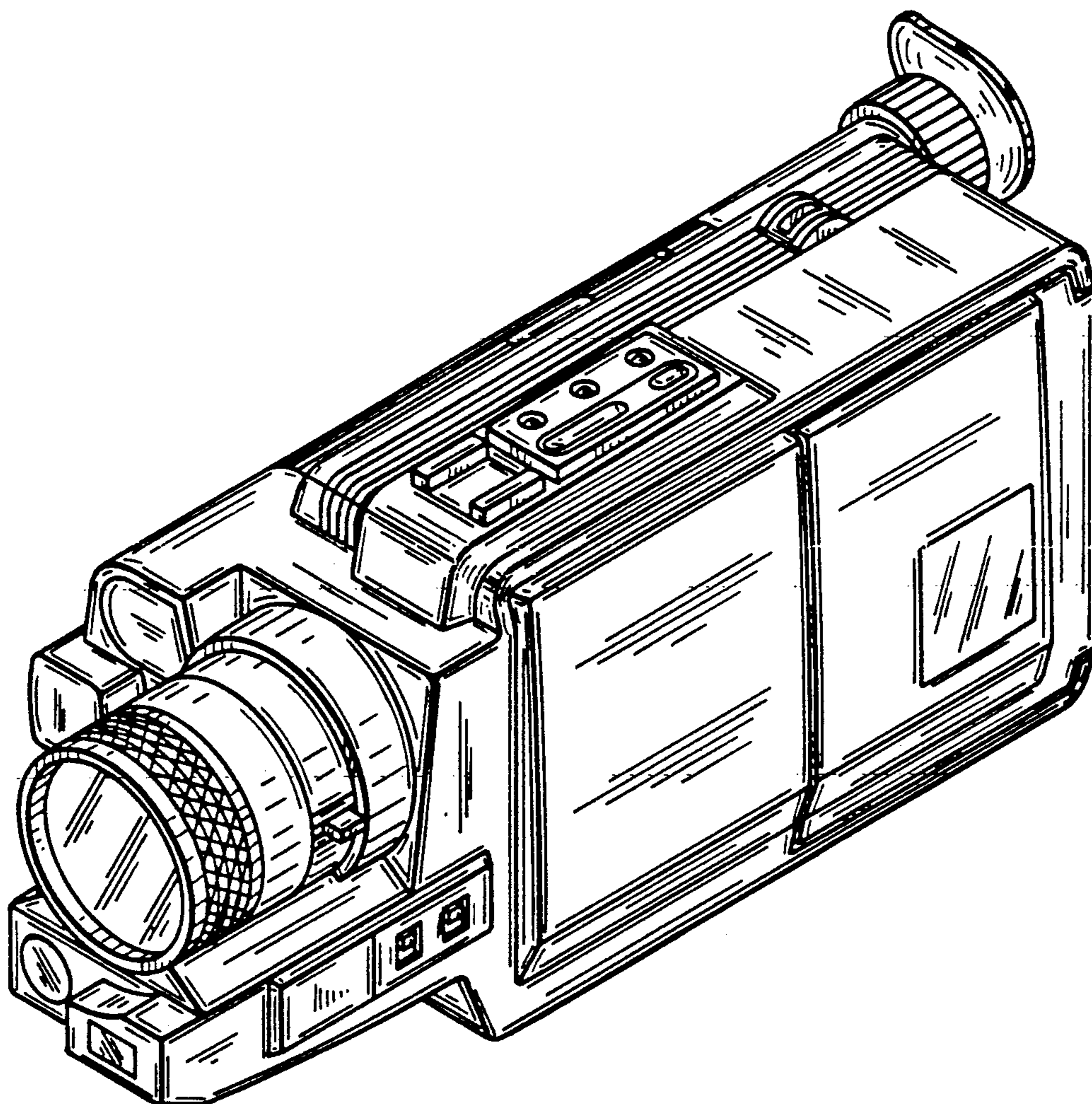
FIG. 3 is a front elevational view thereof;

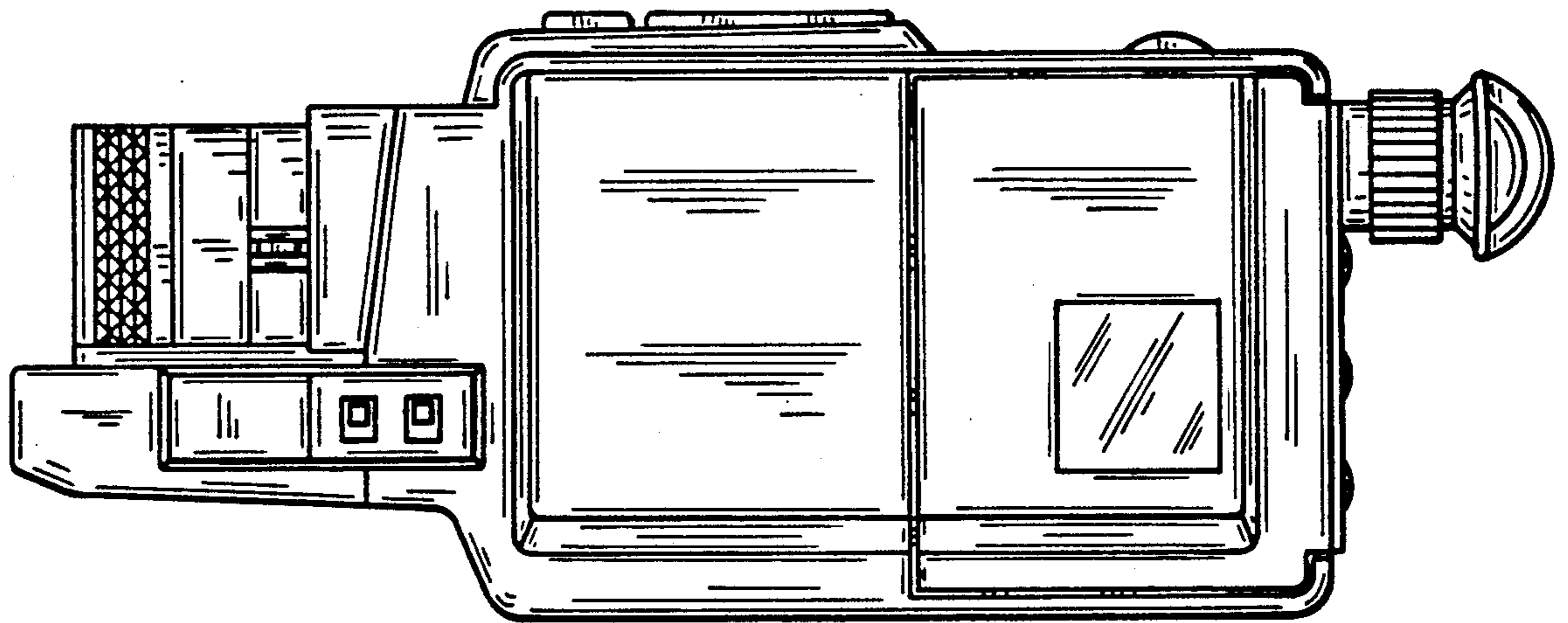
FIG. 4 is a rear elevational view thereof;

FIG. 5 is a top plan view thereof;

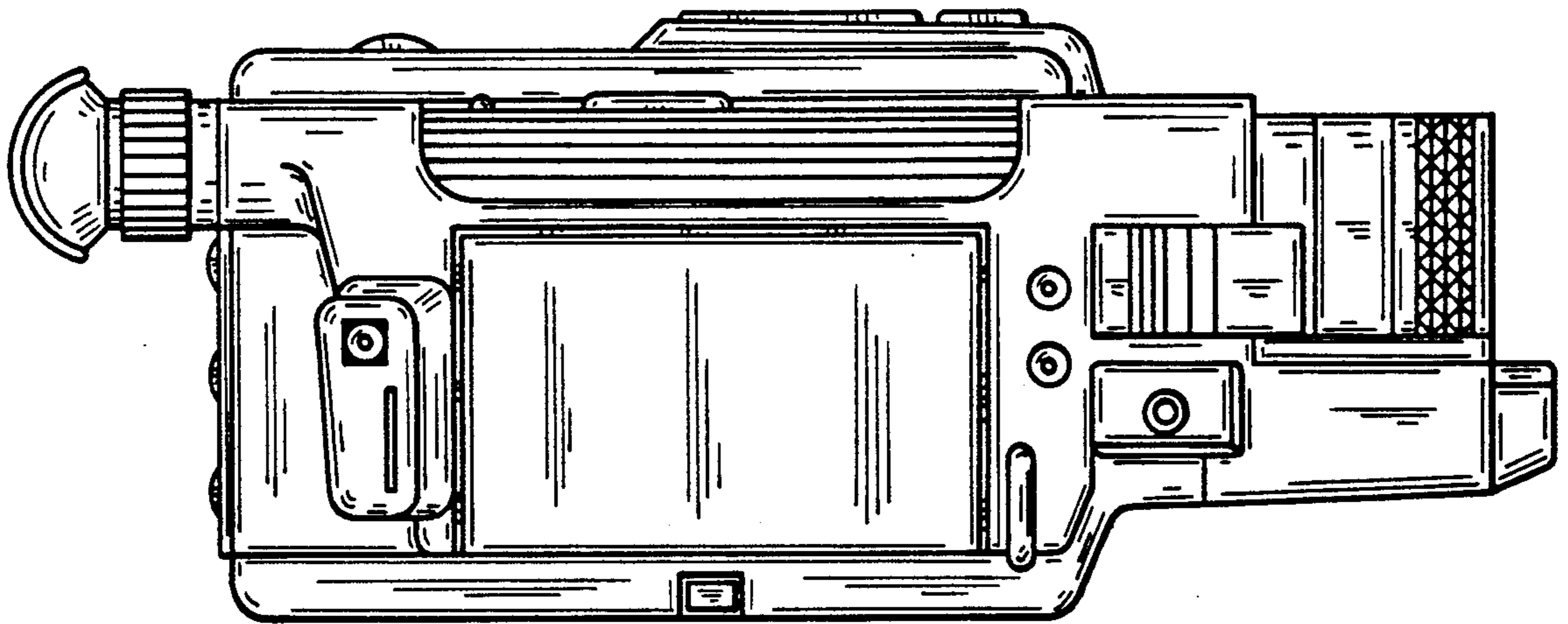
FIG. 6 is a bottom plan view thereof and;

FIG. 7 is a top, front perspective view thereof.

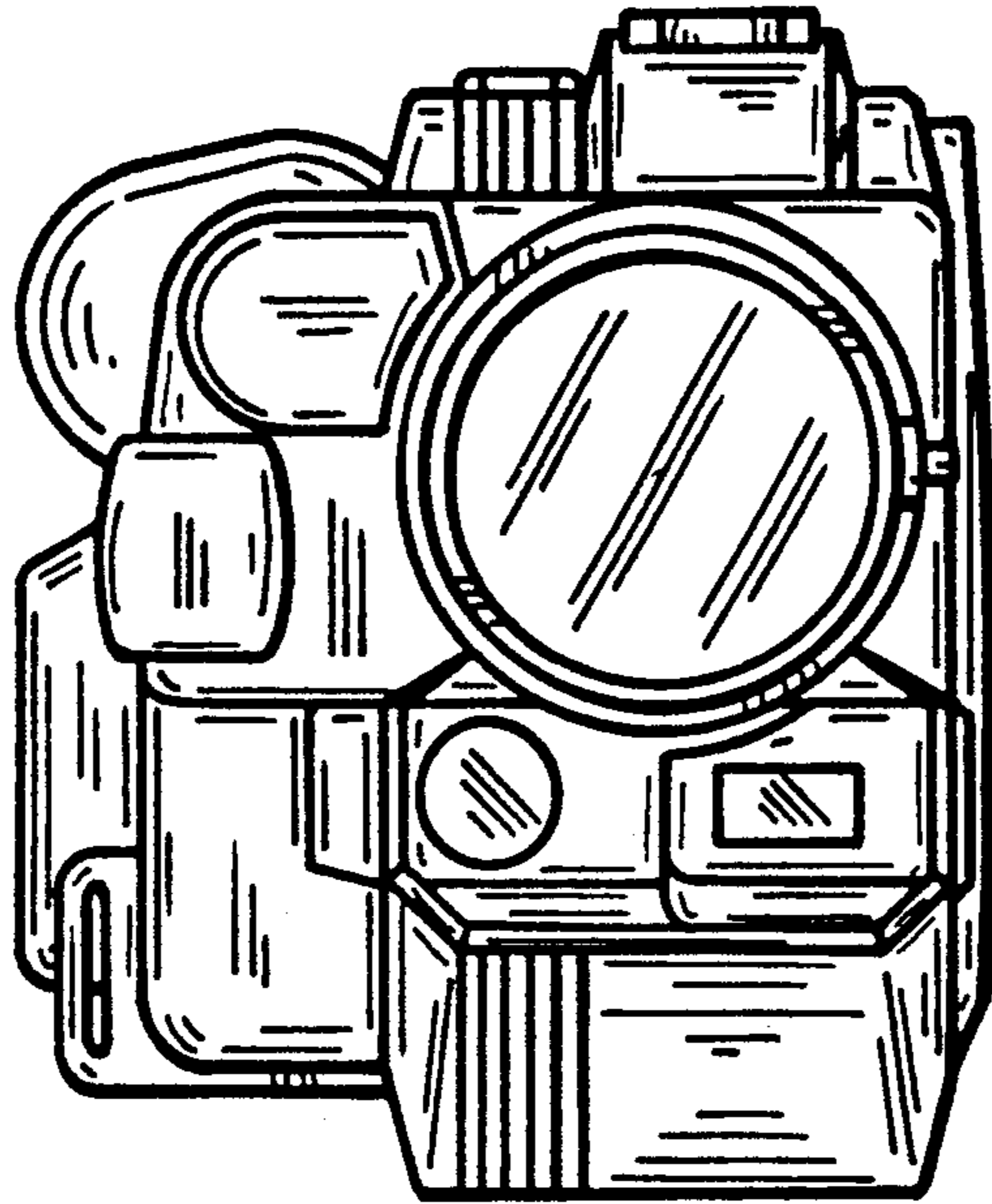




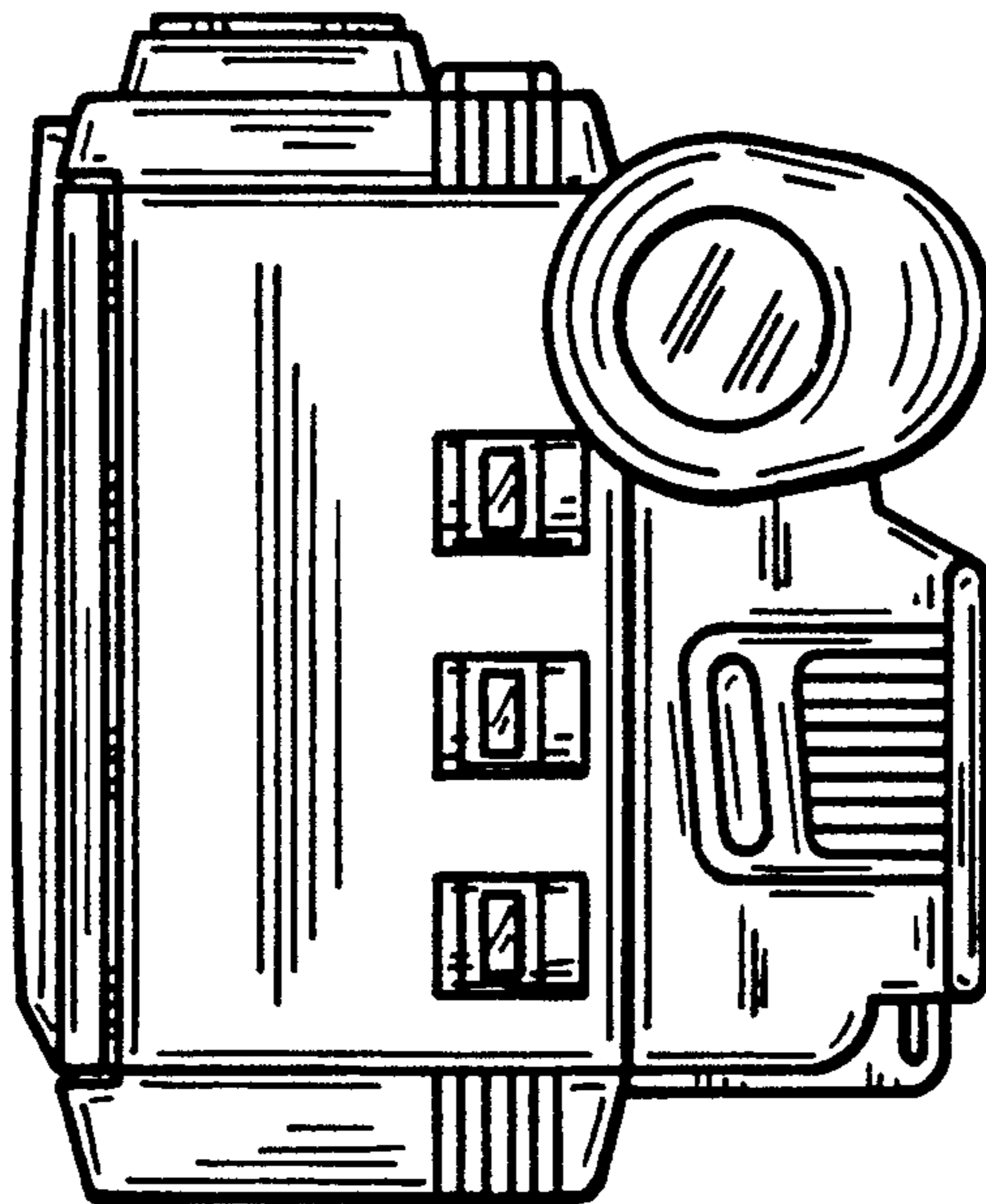
FIG_1



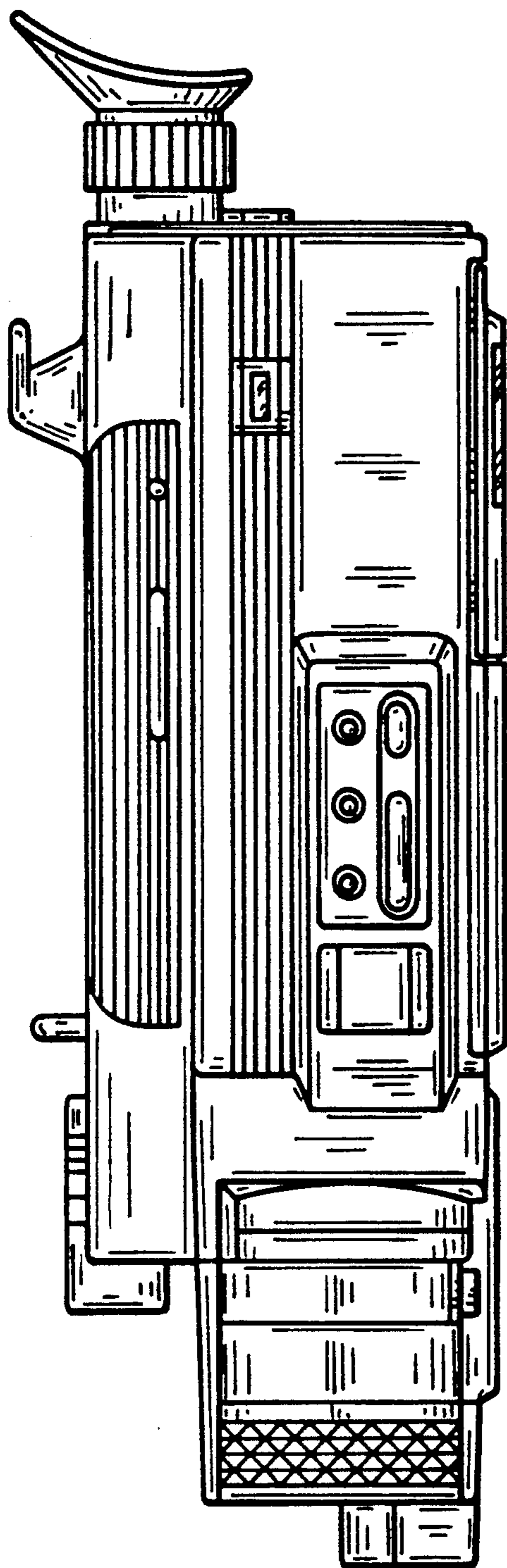
FIG_2



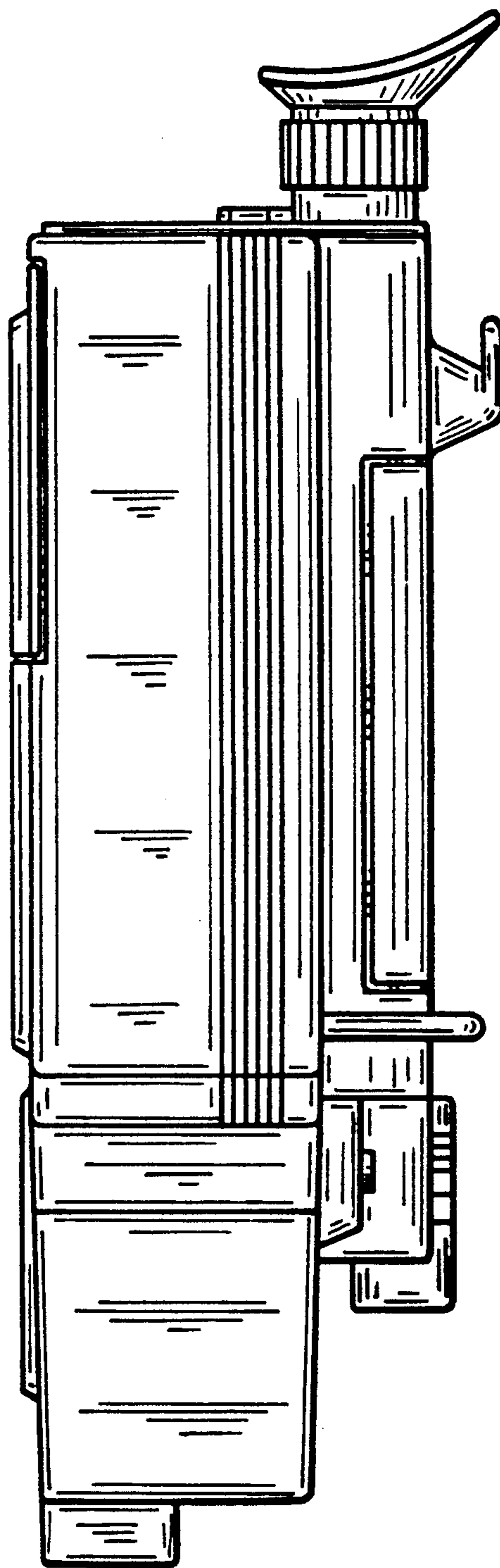
FIG_3



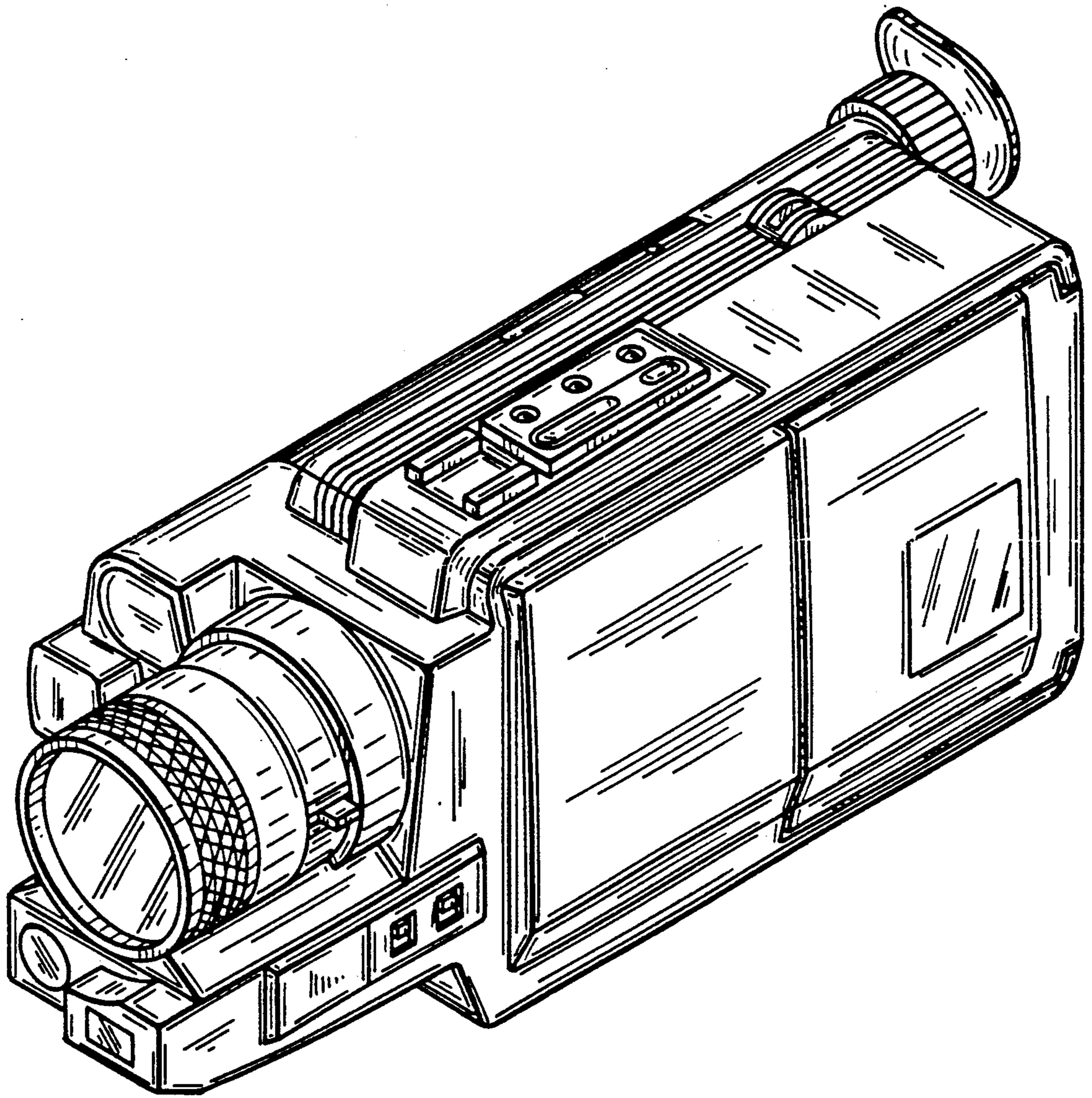
FIG_4



FIG_5



FIG_6



FIG_7