

[54] COMBINED VIDEO CAMERA AND VIDEO TAPE RECORDER

[75] Inventors: Hiroshi Ooi; Sho Okamura, both of Osaka, Japan

[73] Assignee: Sharp Corporation, Osaka, Japan

[\*\*] Term: 14 Years

[21] Appl. No.: 197,806

[22] Filed: May 23, 1988

[30] Foreign Application Priority Data

Nov. 30, 1987 [JP] Japan ..... 62-49292

[52] U.S. Cl. .... D16/202

[58] Field of Search ..... D16/200, 201, 202, 203, D16/204, 205, 208, 209; 354/79, 82, 288; 358/229, 906, 909; 352/34, 242

[56] References Cited

U.S. PATENT DOCUMENTS

- D. 278,338 4/1985 Kurokawa et al. .... D16/202
- D. 288,812 3/1987 Miyashita ..... D16/202
- D. 289,157 4/1987 Inai et al. .... D16/202
- D. 289,893 5/1987 Takemoto et al. .... D16/202
- D. 298,134 10/1988 Mori ..... D16/202
- 4,550,343 10/1985 Nakatani ..... 358/229

FOREIGN PATENT DOCUMENTS

59-127483 7/1984 Japan ..... 358/229

OTHER PUBLICATIONS

Video Review, Feb. 1987 p. 47 (Panasonic Camcorder PV-300).

Popular Photography, Sep. 1987 p. 72, (Panasonic PV-5350).

Popular Photography, Nov. 1987 p. 23 (Panasonic PV-320).

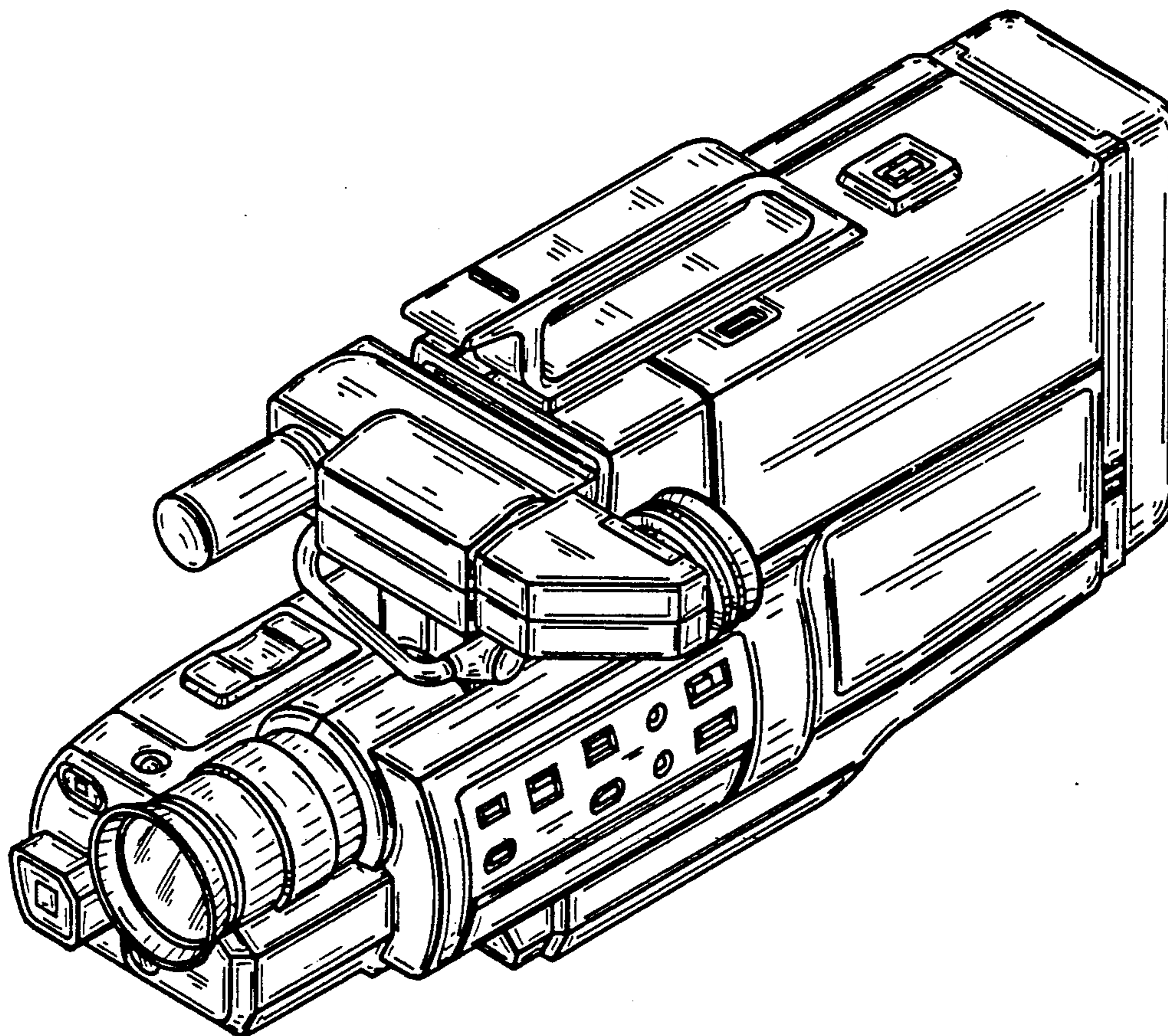
Primary Examiner—Bernard Ansher  
Assistant Examiner—Adir Aronovich  
Attorney, Agent, or Firm—Flehr, Hohbach, Test, Albritton & Herbert

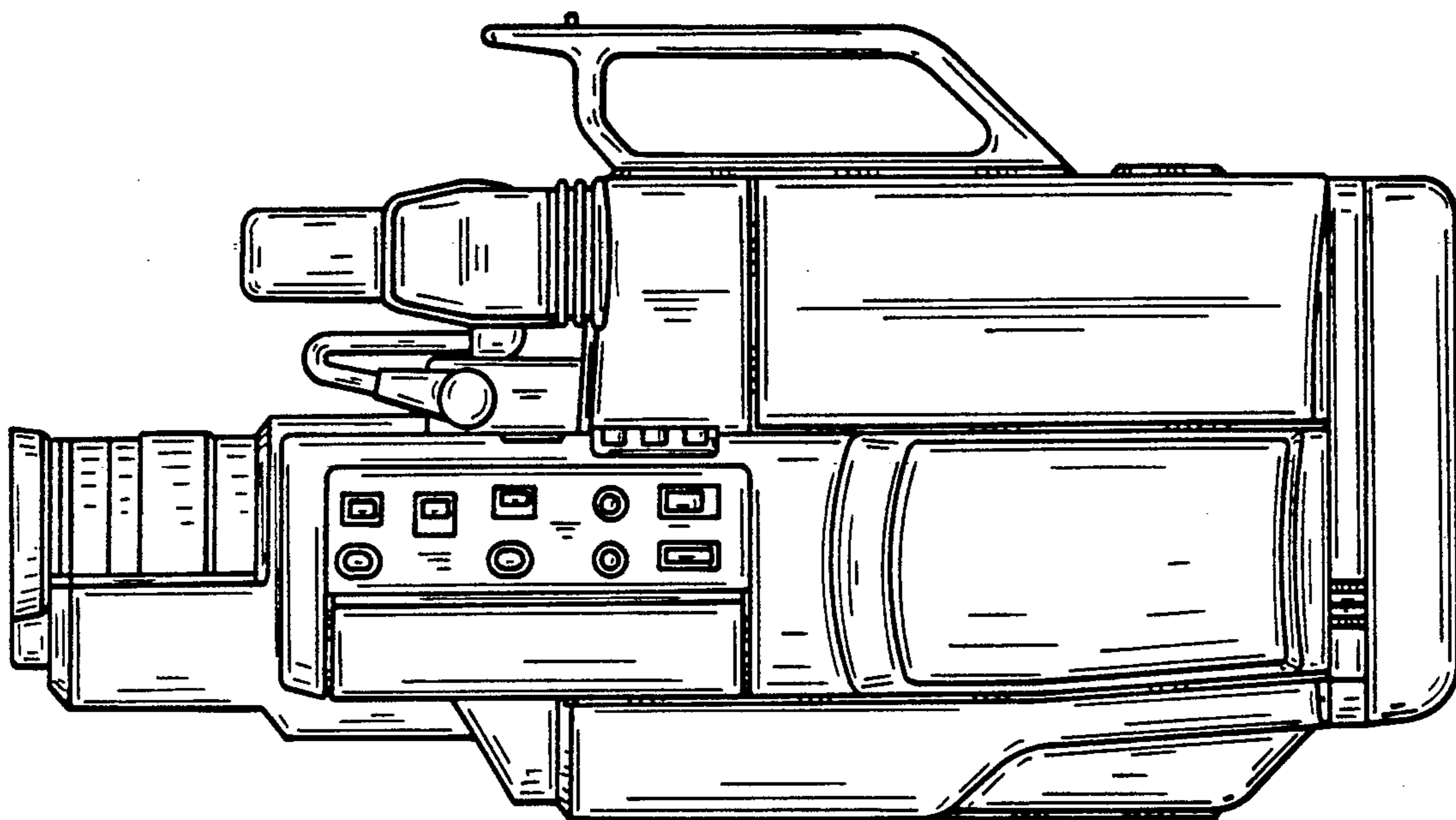
[57] CLAIM

The ornamental design for a combined video camera and video tape recorder, as shown.

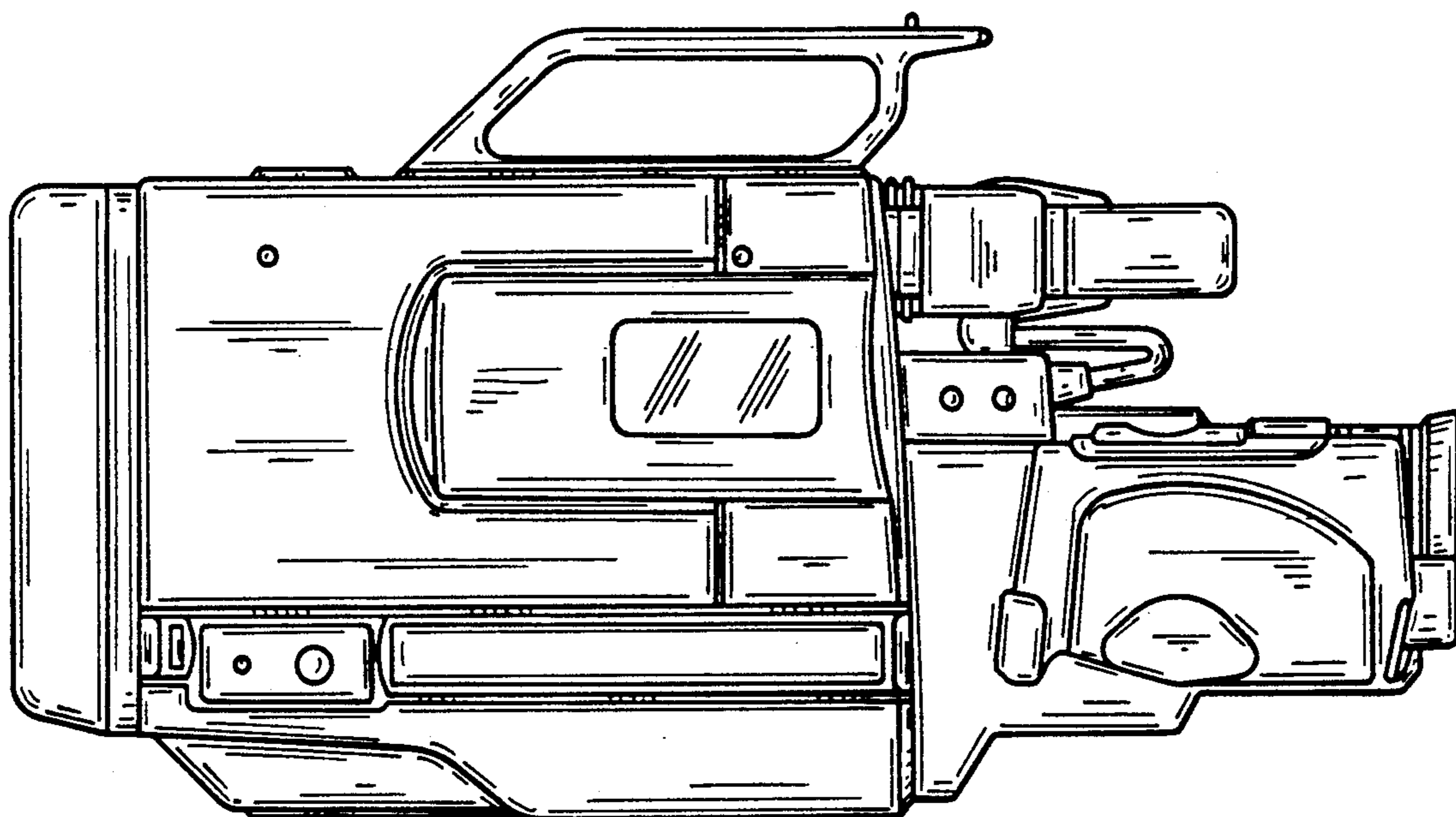
DESCRIPTION

FIG. 1 is a right side elevational view of the camera with video tape recorder showing our new design; FIG. 2 is a left side elevational view thereof; FIG. 3 is a front elevational view thereof; FIG. 4 is a rear elevational view thereof; FIG. 5 is a top plan view thereof; FIG. 6 is a bottom plan view thereof; and FIG. 7 is a top, front perspective view thereof.

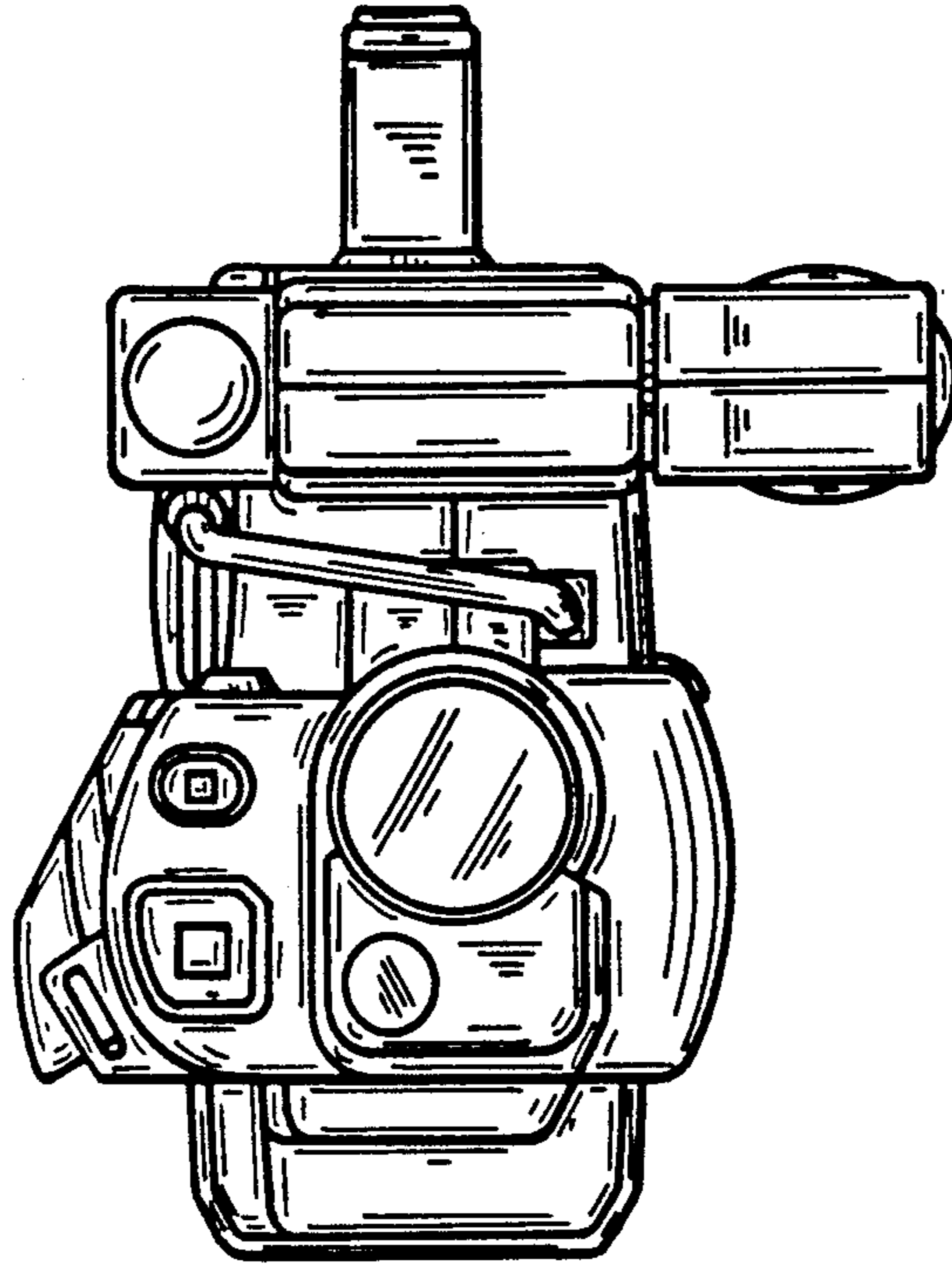




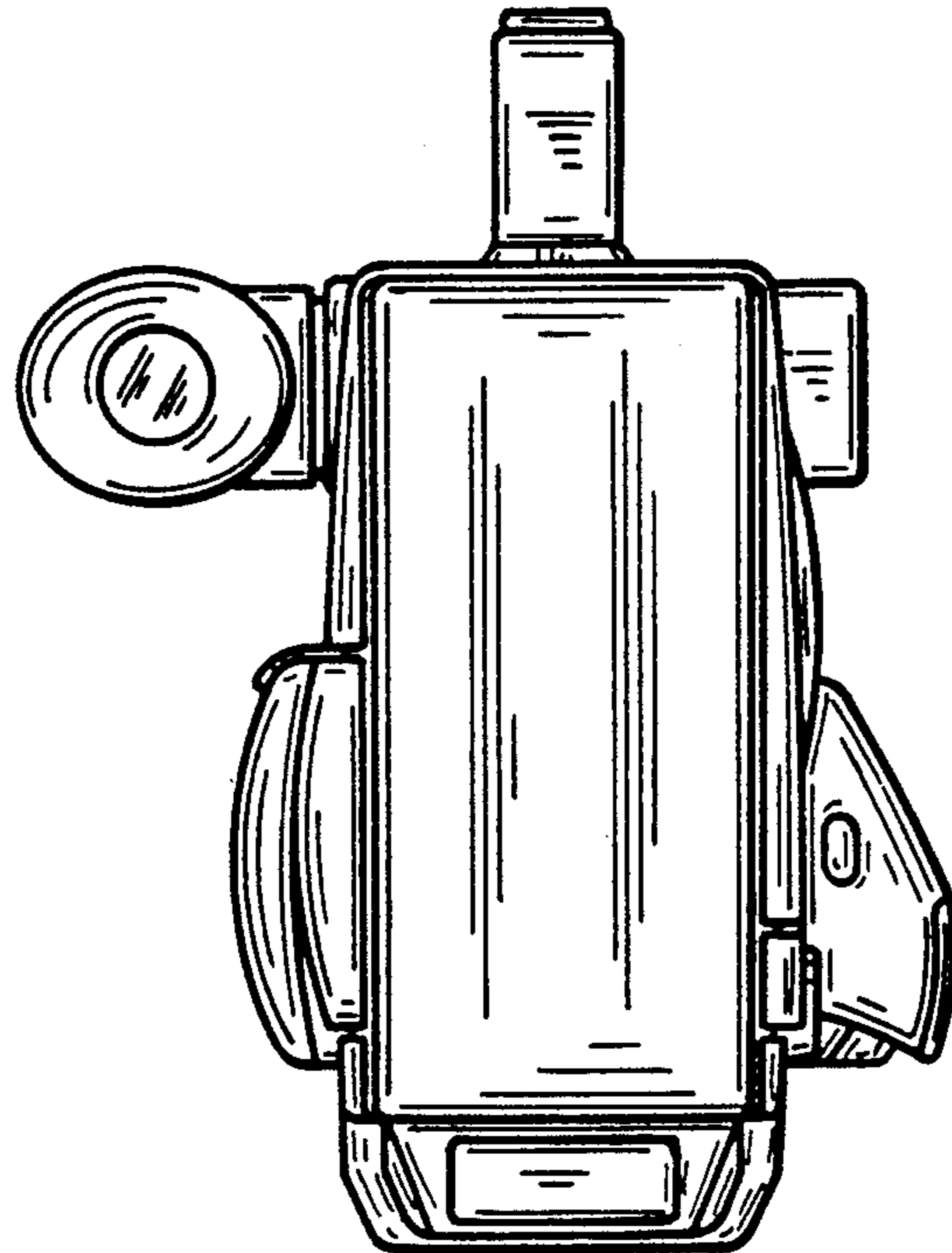
*FIG\_1*



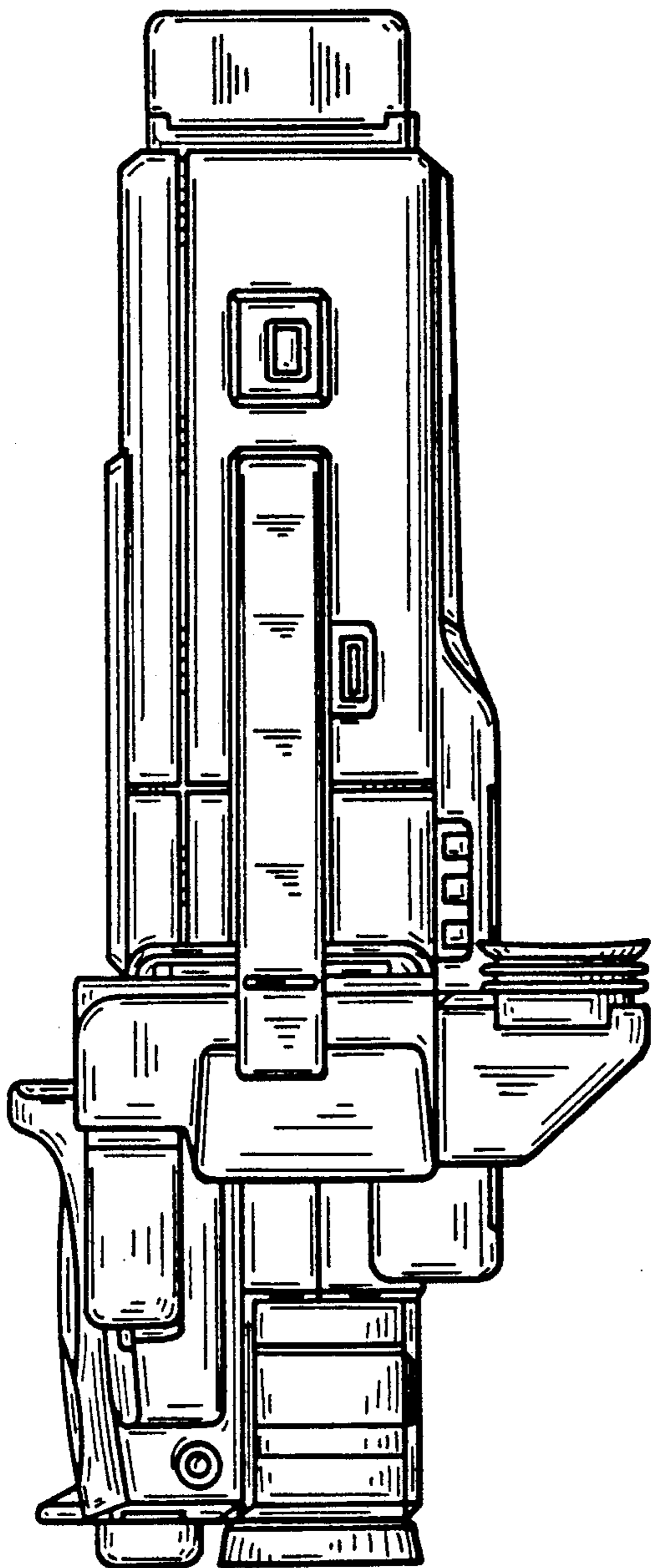
*FIG\_2*



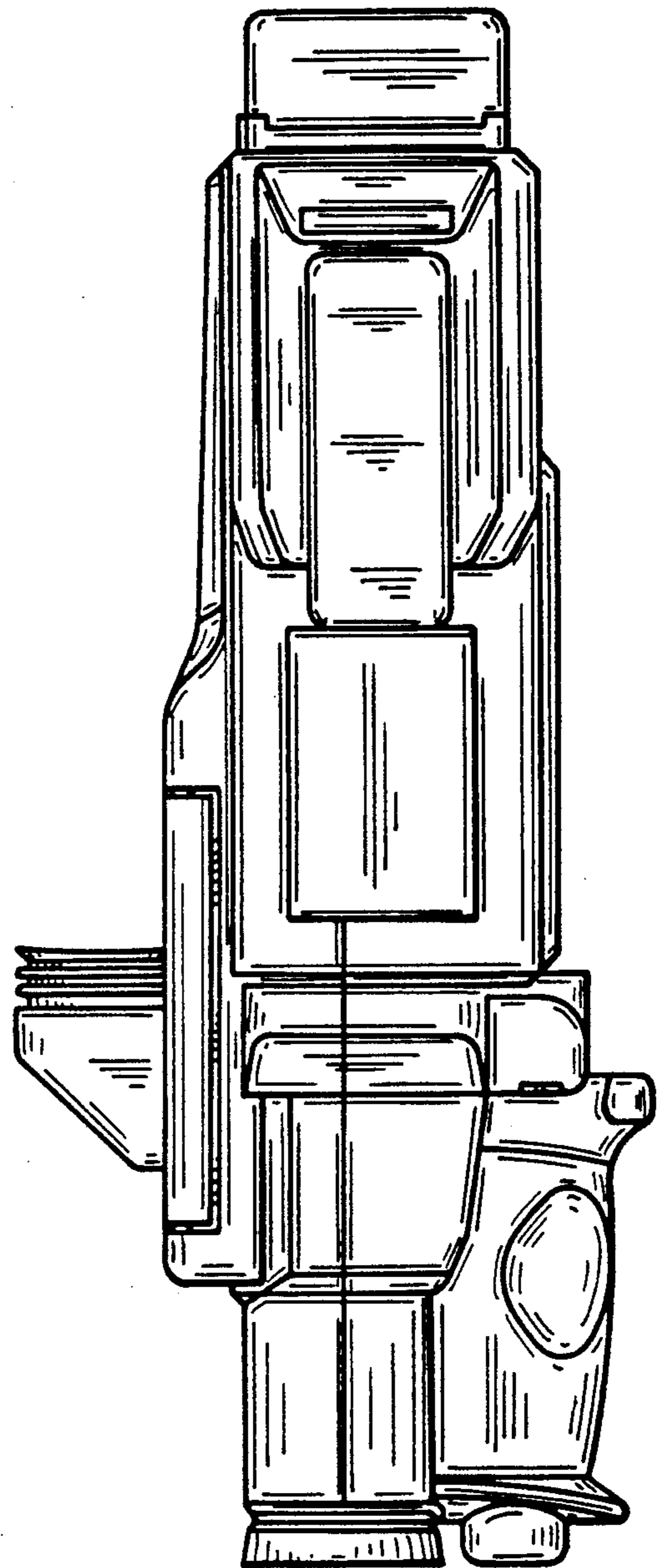
**FIG\_3**



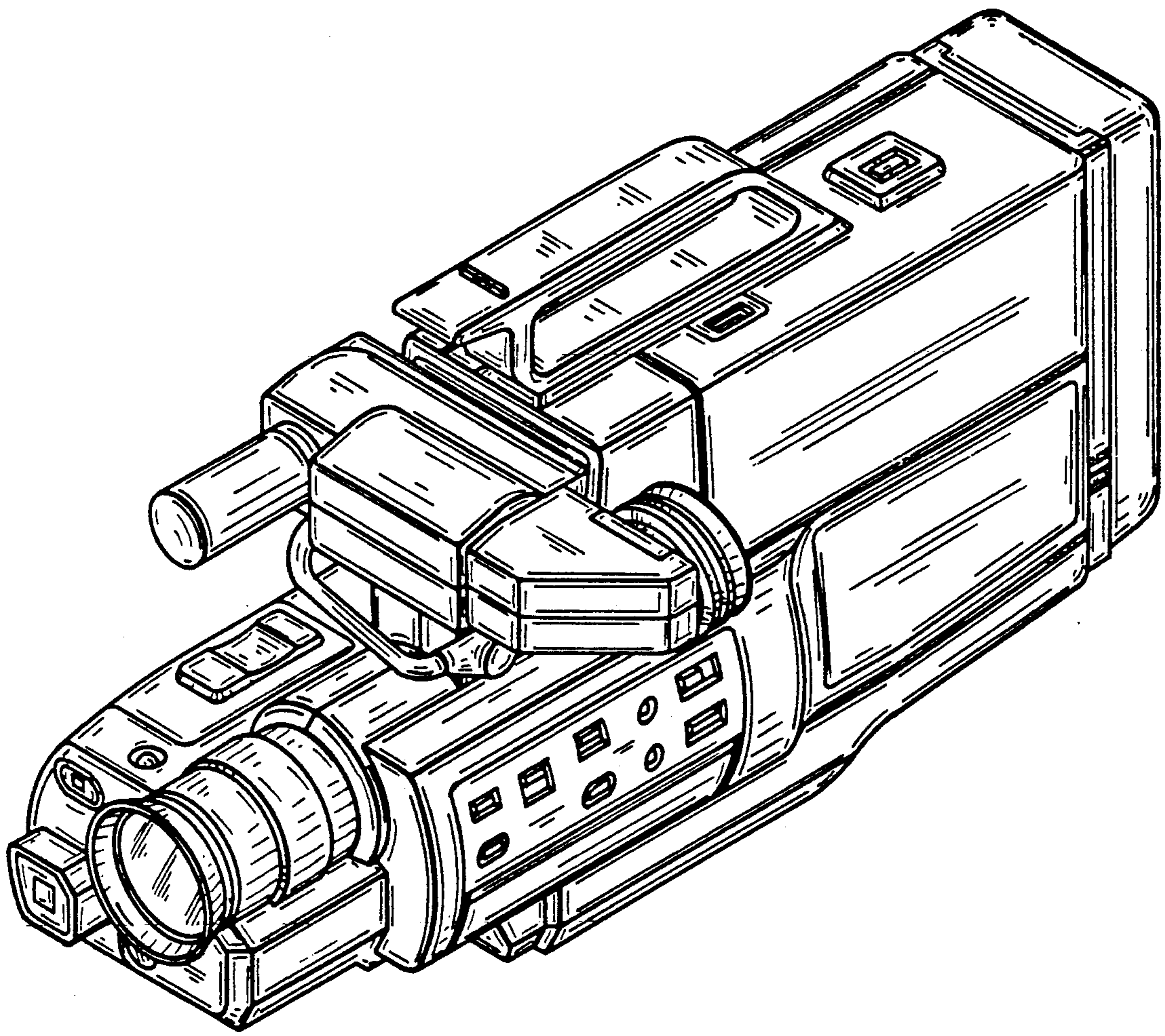
**FIG\_4**



*FIG\_5*



*FIG\_6*



*FIG\_7*