

[54] RACK OF MODEMS

[75] Inventors: Gilbert Pedinielli, Nice; Daniel Richelet, St. Barnabe, both of France

[73] Assignee: International Business Machines Corporation, Armonk, N.Y.

[**] Term: 14 Years

[21] Appl. No.: 322,818

[22] Filed: Mar. 10, 1989

[30] Foreign Application Priority Data

Sep. 13, 1988 [FR] France 88 5669

[52] U.S. Cl. D14/107; D14/102

[58] Field of Search D14/100, 107, 114; D13/162, 184, 199; 361/331, 332, 380, 381, 390, 391, 392, 394, 415; 439/59, 61

[56] References Cited

U.S. PATENT DOCUMENTS

D. 265,906 8/1982 Steinbugler D14/107
2,959,715 11/1960 Leonchick 361/391 X

3,280,377 10/1966 Harris et al. 361/394 X
3,767,974 10/1973 Donovan, Jr. et al. 361/415
4,133,022 1/1979 Moore et al. 439/59 X
4,920,453 4/1990 Onose et al. 361/394 X

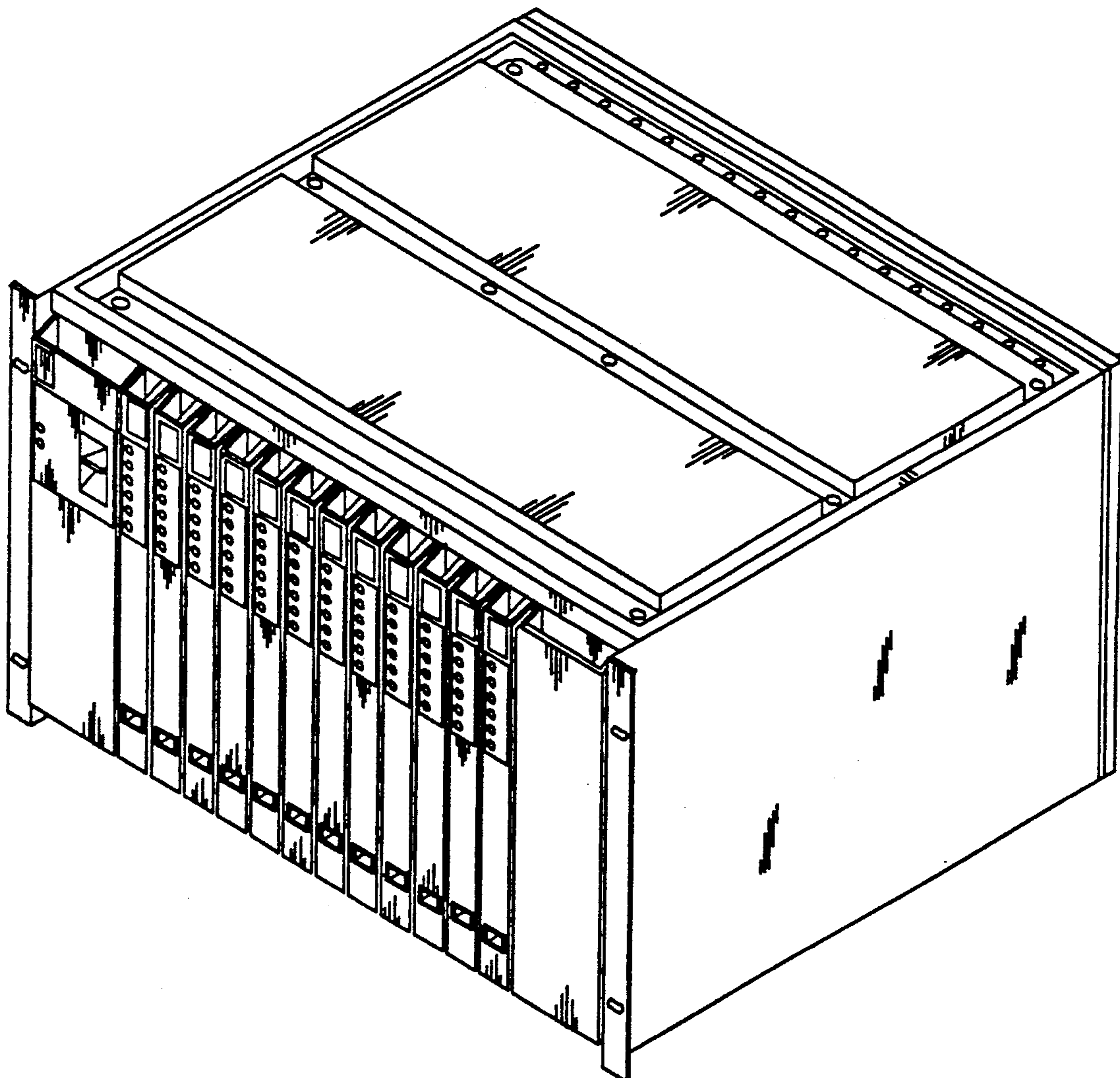
Primary Examiner—Wallace R. Burke
Assistant Examiner—Freda S. Nunn
Attorney, Agent, or Firm—Joscelyn G. Cockburn

[57] CLAIM

The ornamental design for a rack of modems, as shown and described.

DESCRIPTION

FIG. 1 is a top, front, left side perspective view of a rack of modems showing our new design; FIG. 2 is a top, rear, left side perspective view thereof; FIG. 3 is a front elevational view thereof on an enlarged scale; FIG. 4 is a top plan view thereof on an enlarged scale; FIG. 5 is a right side elevational view thereof on an enlarged scale; FIG. 6 is a left side elevational view thereof on an enlarged scale.



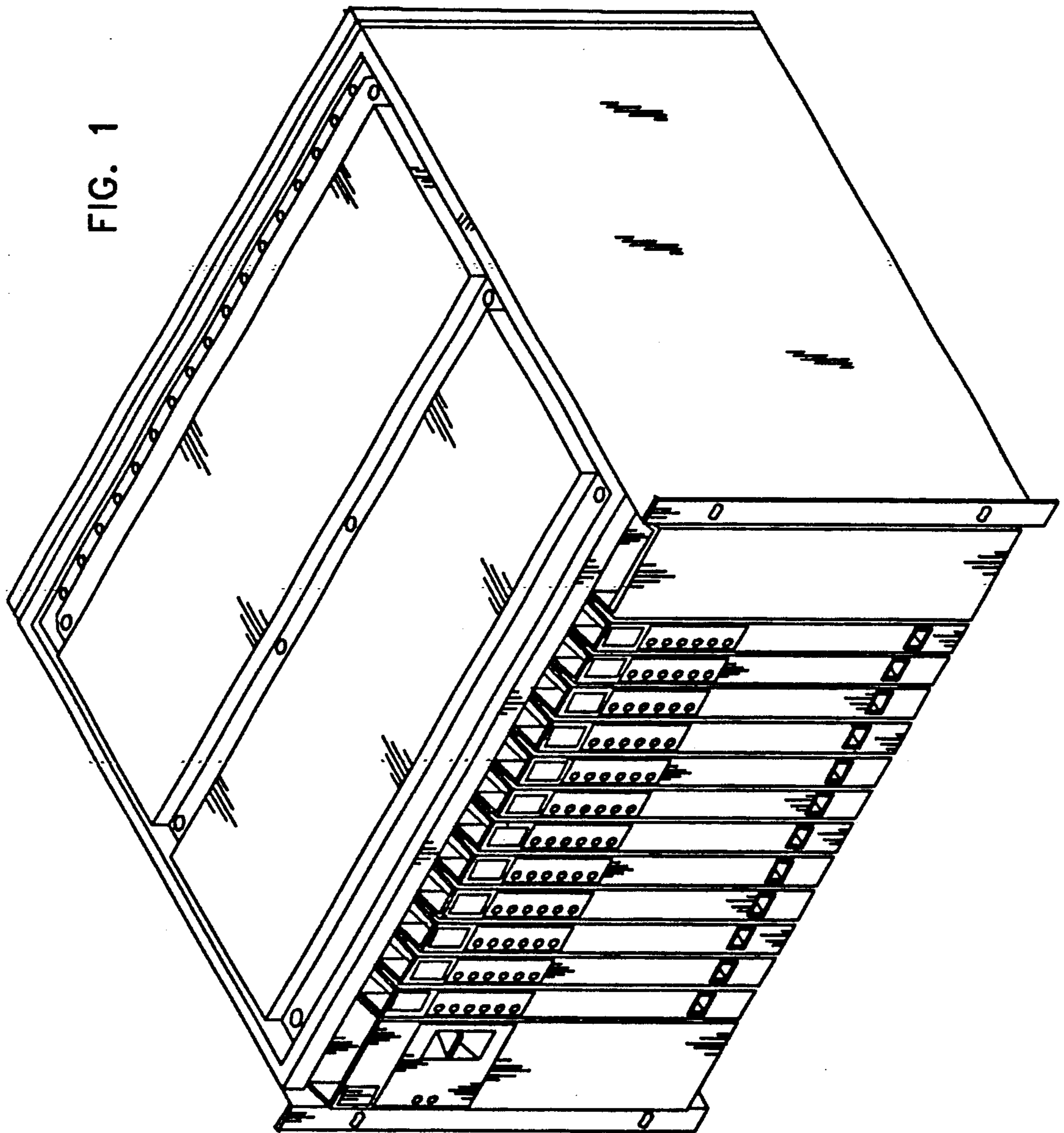


FIG. 1

FIG. 2

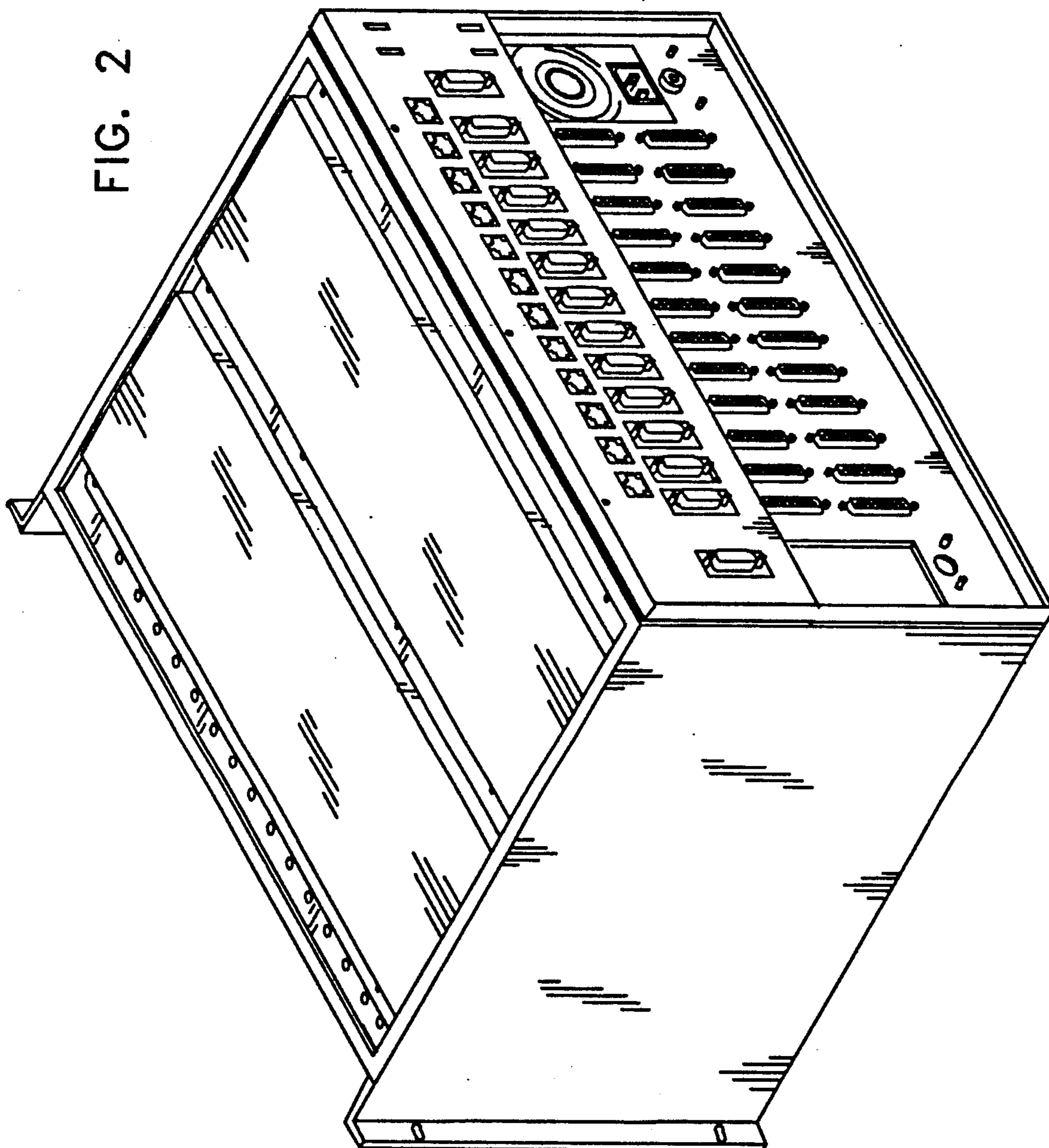
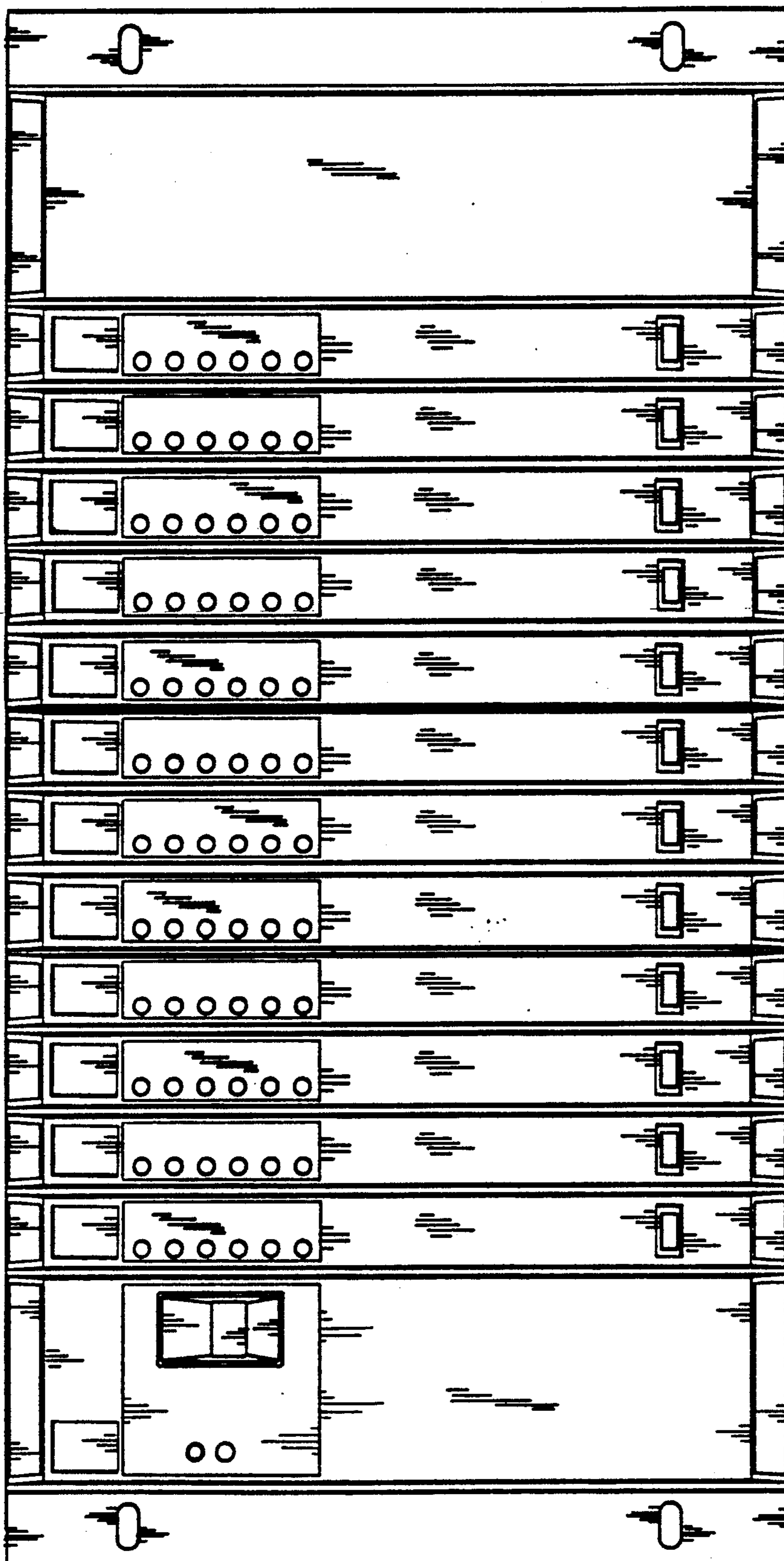


FIG. 3



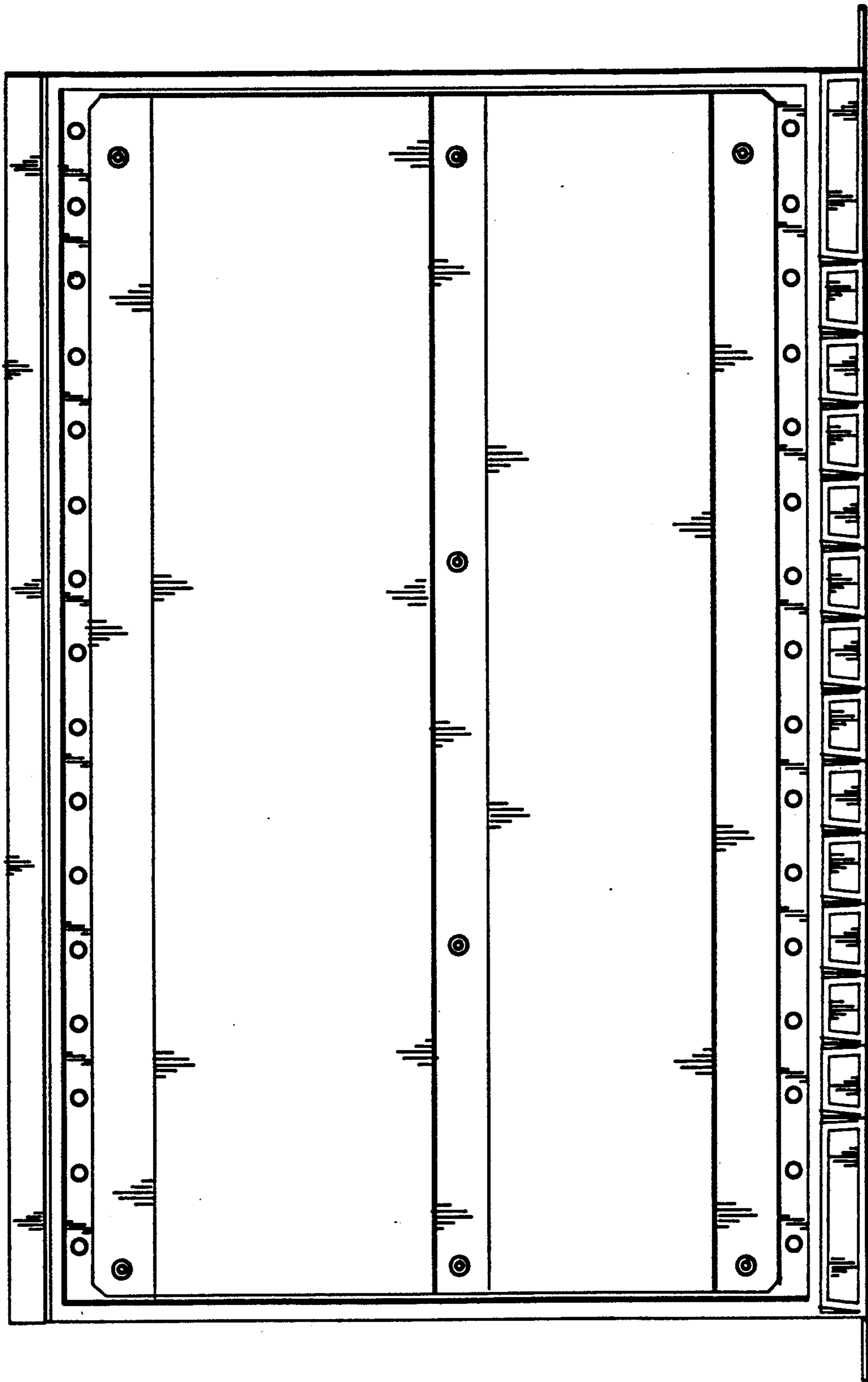


FIG. 4

FIG. 5

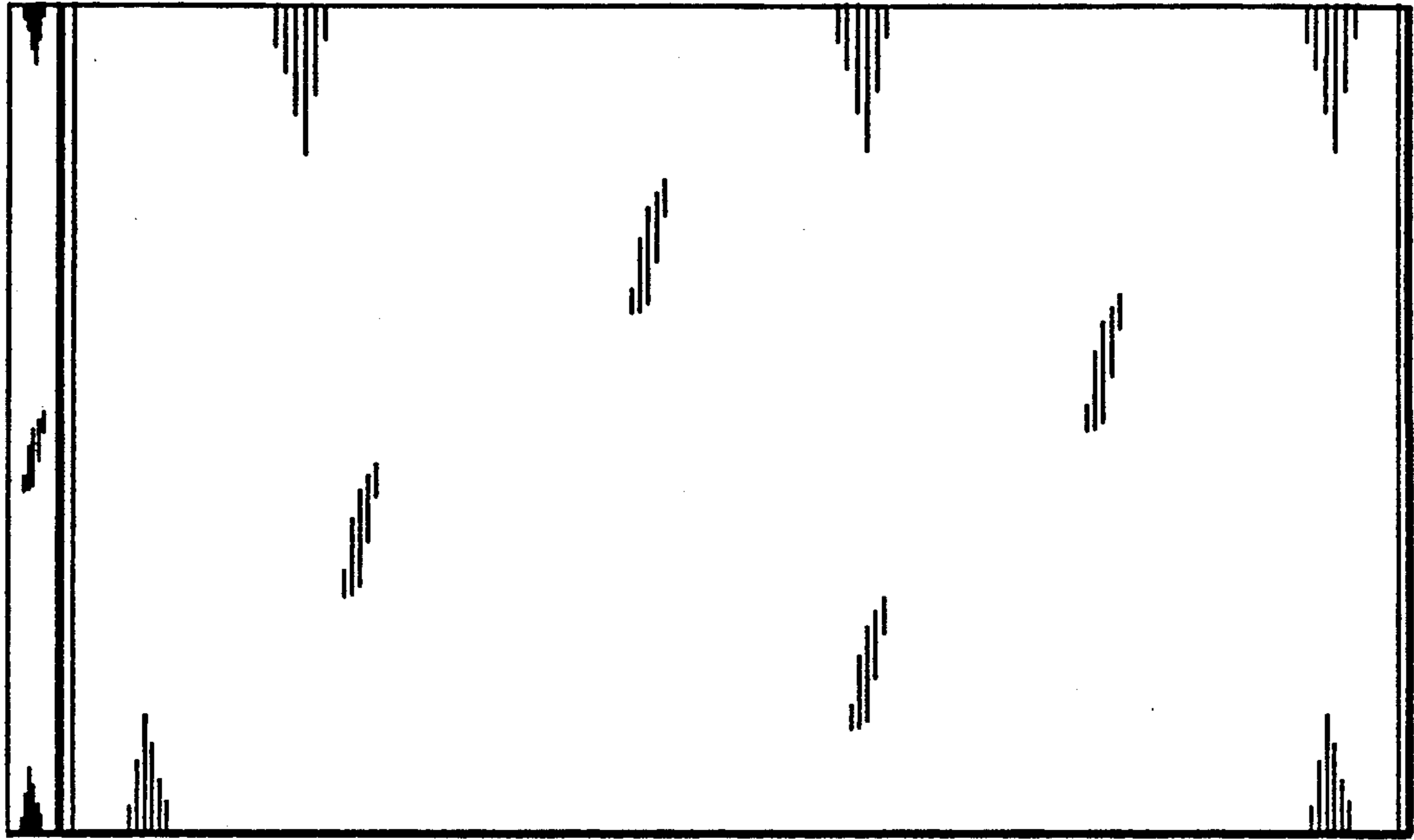


FIG. 6

