

[54] PORTABLE COMPUTER OR SIMILAR ARTICLE

[75] Inventors: Hartmut H. Esslinger, Los Gatos; Eric I. Gruenberg, Soquel; James R. Stewart, San Jose, all of Calif.

[73] Assignee: Apple Computer, Inc., Cupertino, Calif.

[\*] Notice: The portion of the term of this patent subsequent to Apr. 30, 2005 has been disclaimed.

[\*\*] Term: 14 Years

[21] Appl. No.: 299,718

[22] Filed: Jan. 23, 1989

[52] U.S. Cl. .... D14/106

[58] Field of Search ..... D14/100, 105, 107, 106, D14/113, 115; D18/1, 7, 11, 12; 235/145 A, 145 R; 340/700, 706, 711, 712; 341/22, 23; 358/249, 254; 364/706-710; D13/32, 38; D21/48; 74/471 XY; 178/18, 19; 200/5 A, 5 R, 6 A, 6 R; 273/148 B

[56] References Cited

U.S. PATENT DOCUMENTS

- D. 290,256 6/1987 Sapper ..... D14/106
- D. 299,031 12/1988 Sugano ..... D14/106
- D. 303,523 9/1989 Shiozawa et al. .... D14/106
- D. 305,883 2/1990 Burton ..... D14/106

Primary Examiner—Wallace R. Burke  
Assistant Examiner—Freda S. Nunn  
Attorney, Agent, or Firm—Franklyn Weiss

[57] CLAIM

The ornamental design for a portable computer or similar article, as shown and described.

DESCRIPTION

FIG. 1 is a top, front, right side perspective view of a portable computer or similar article showing our new design;

FIG. 2 is a right side elevational view thereof on an enlarged scale;

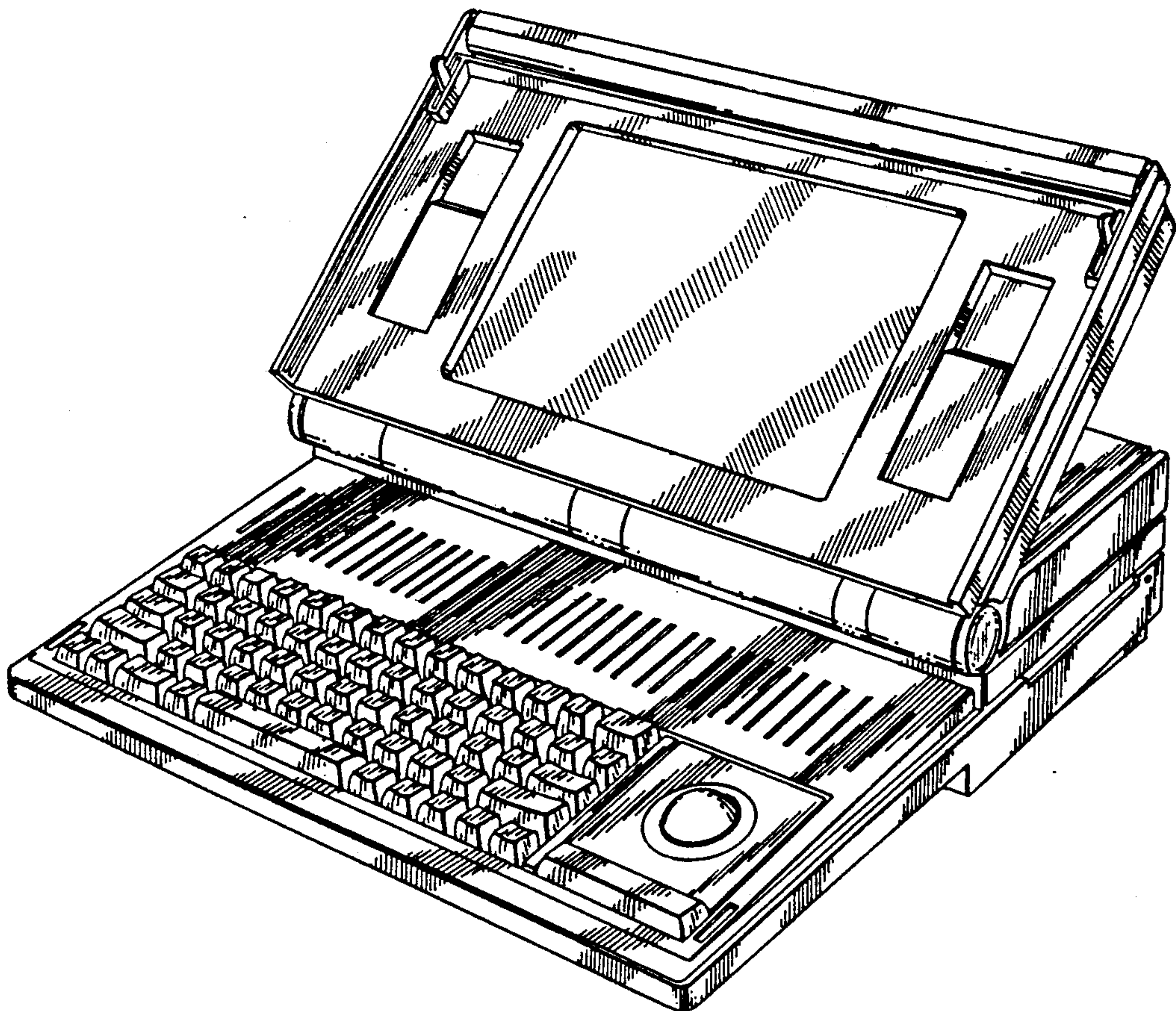
FIG. 3 is a left side elevational view thereof on an enlarged scale;

FIG. 4 is a top plan view thereof on an enlarged scale;

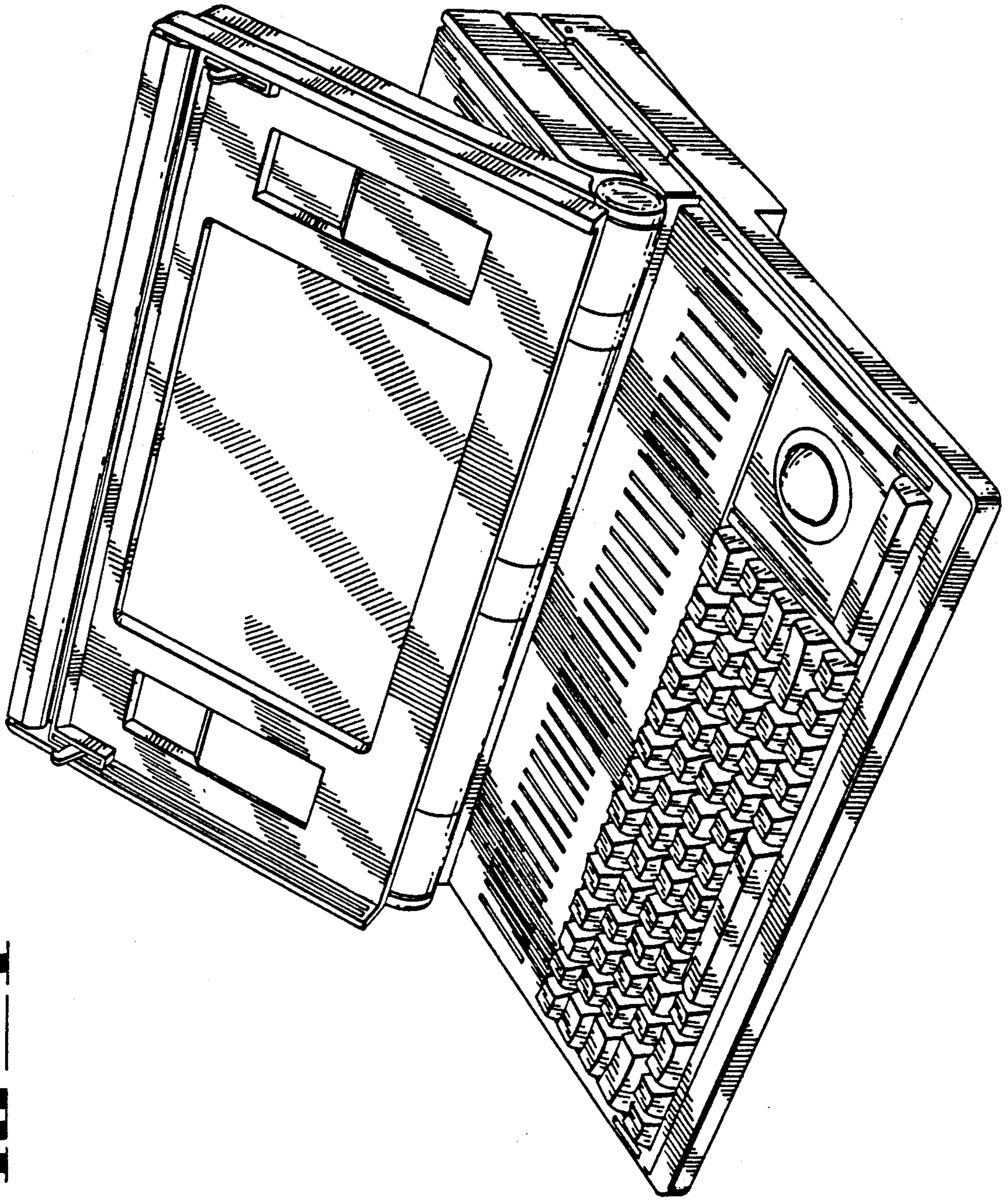
FIG. 5 is a front elevational view thereof on an enlarged scale;

FIG. 6 is a bottom plan view thereof on an enlarged scale;

FIG. 7 is a rear elevational view thereof on an enlarged scale.

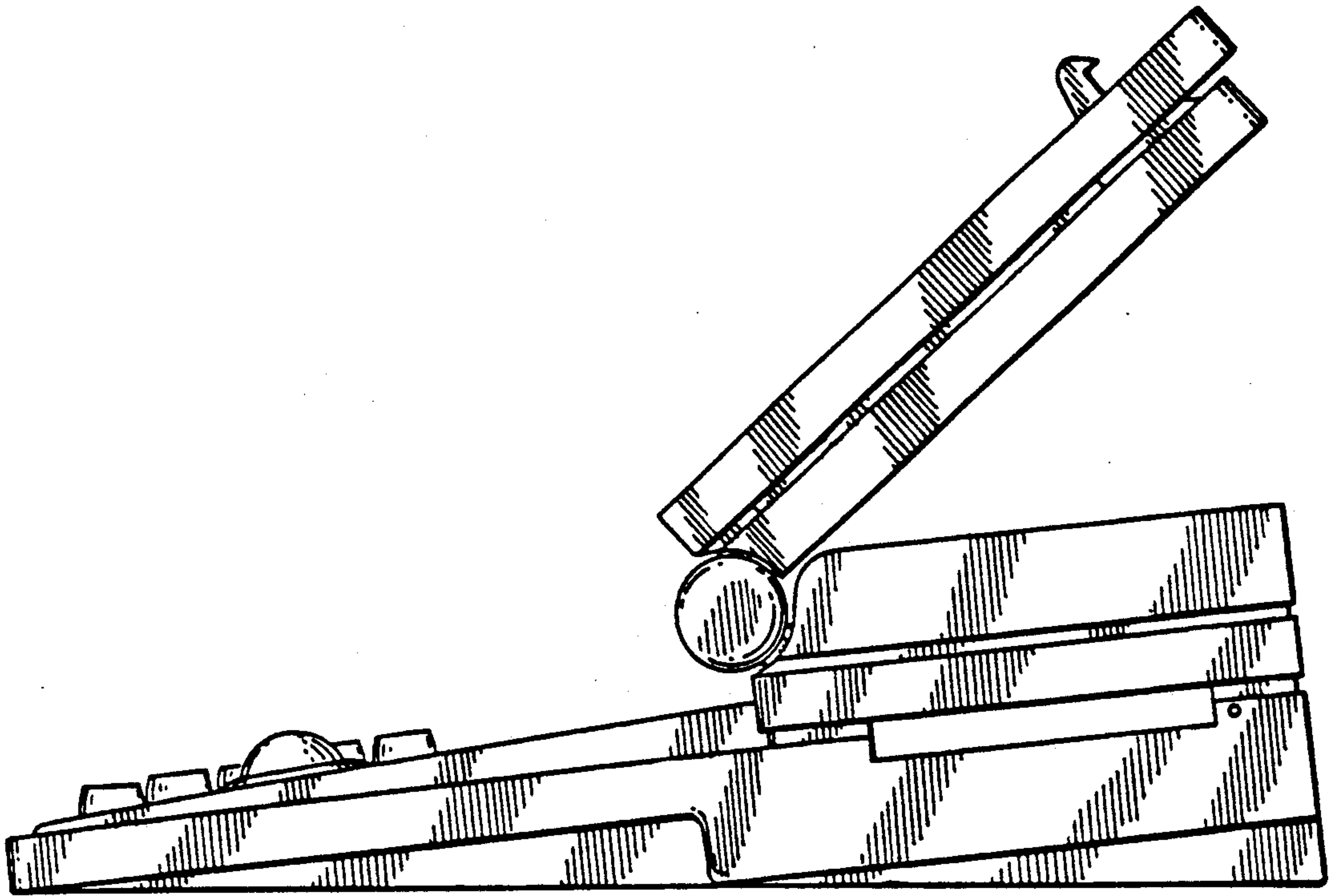




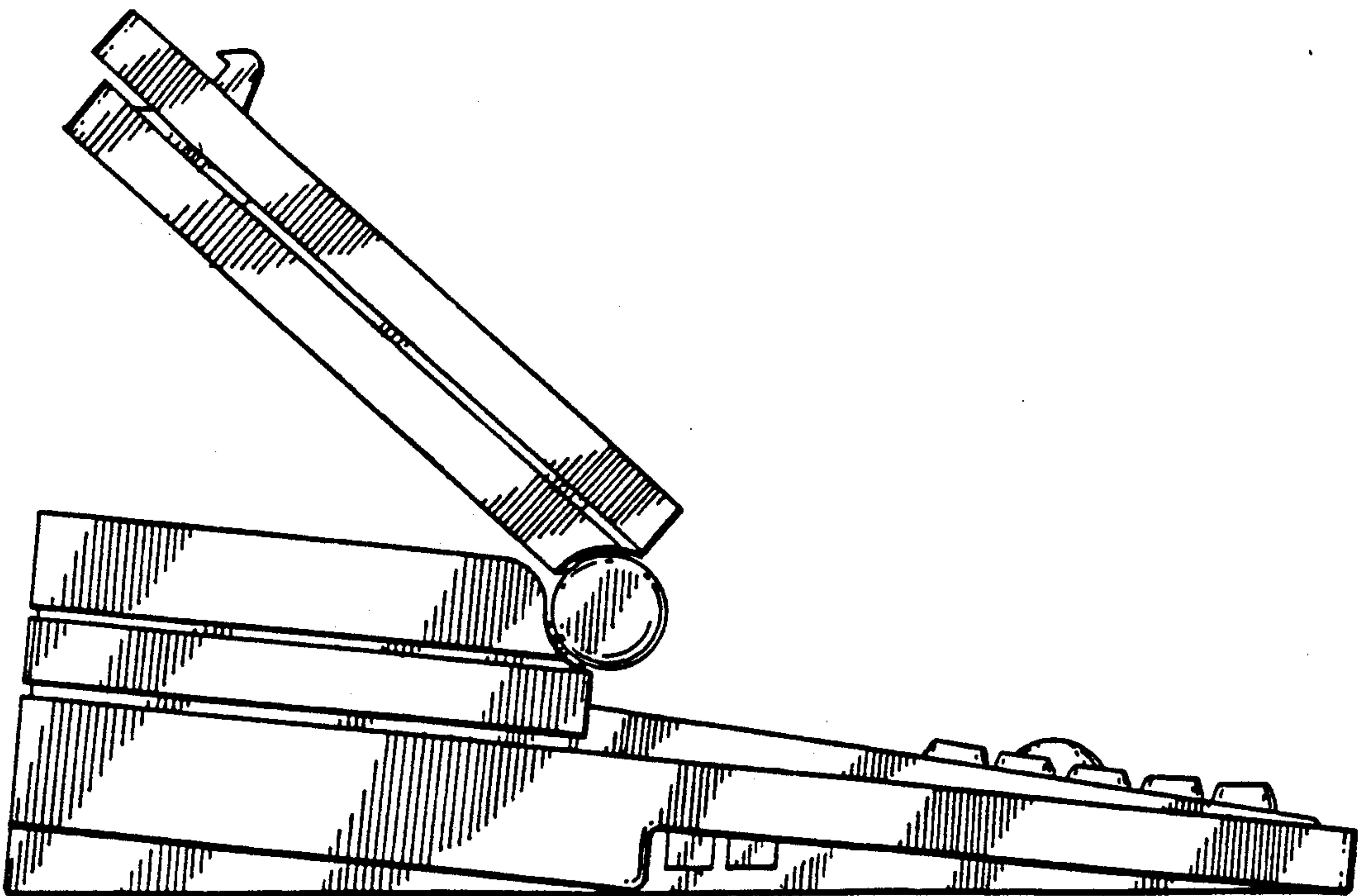


**FIG. 1**

**FIG 2**

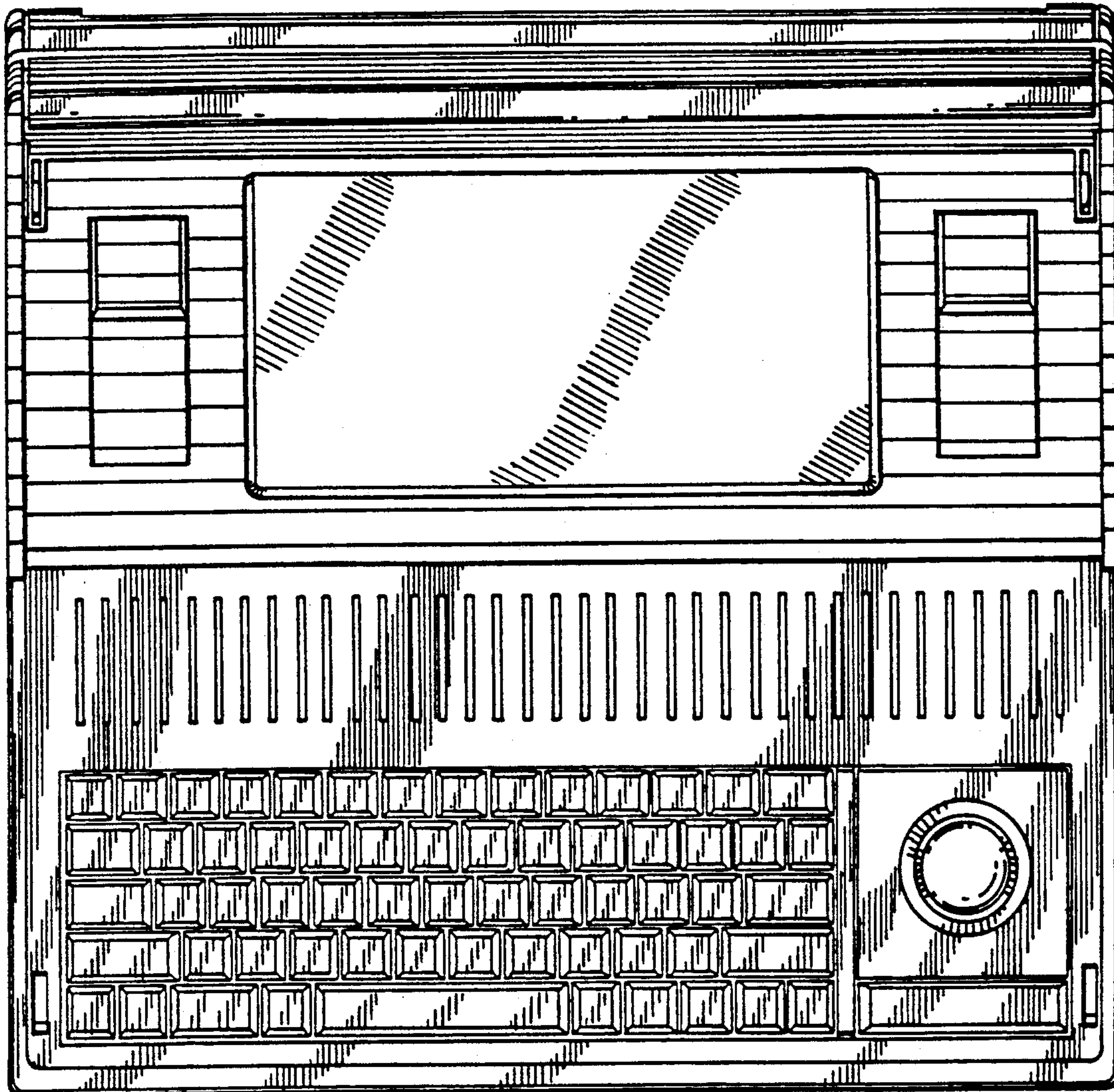


**FIG 3**

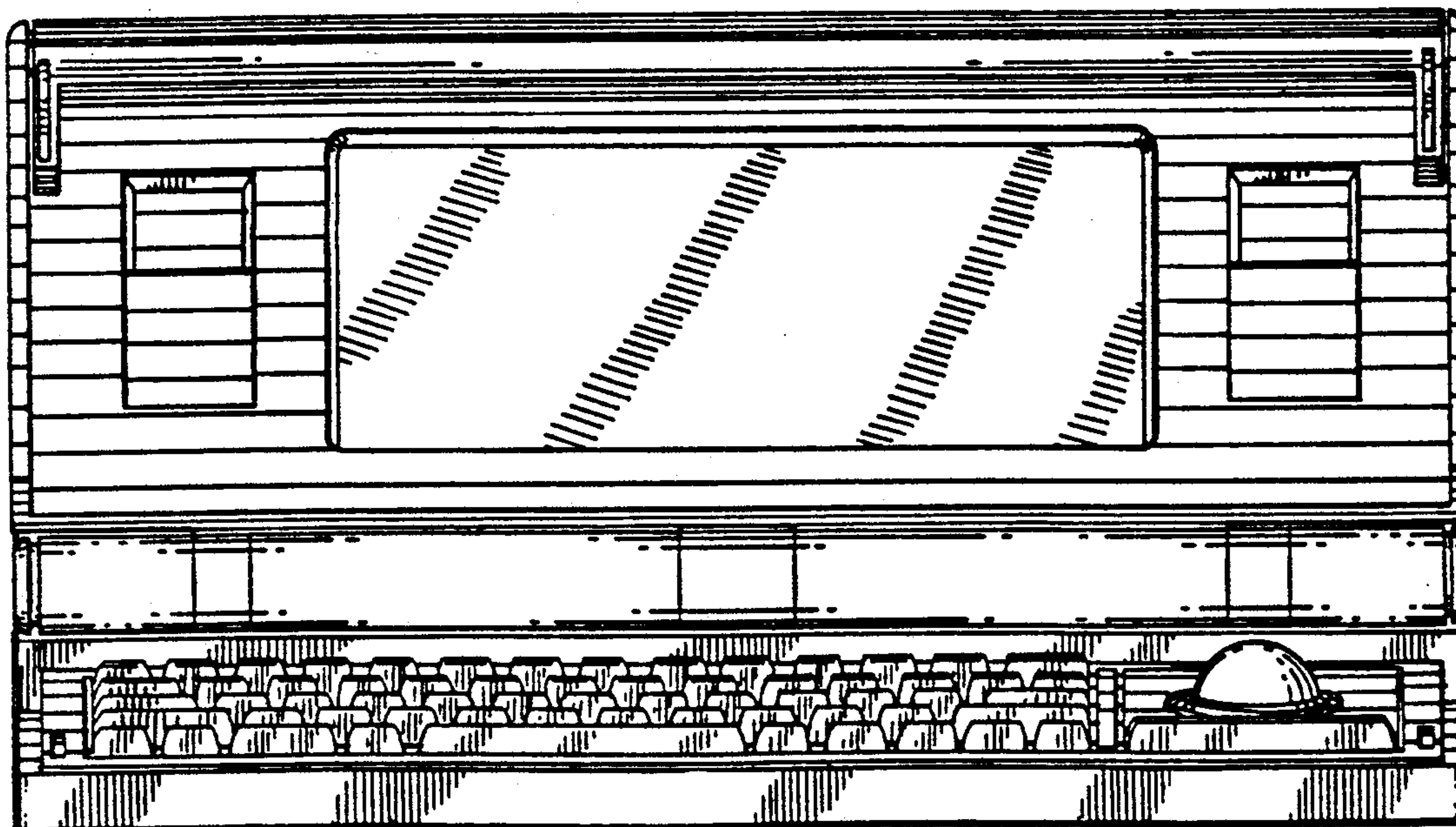




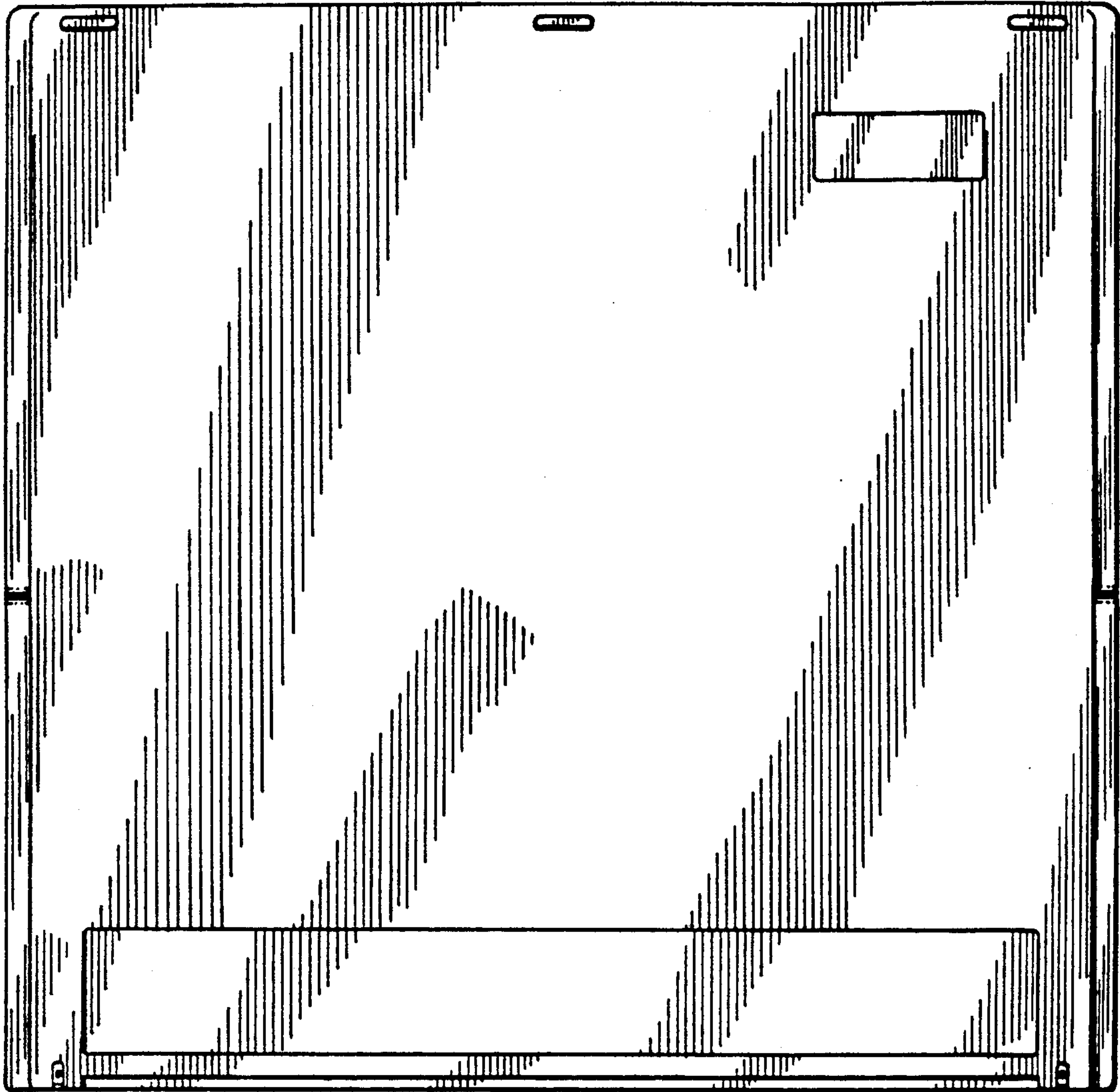
**FIG 4**



**FIG 5**



**FIG 6**



**FIG 7**

