

[54] COMPUTER KEYBOARD

[75] Inventor: James H. Vogeley, Yorktown, Va.

[73] Assignee: nView Corporation, Newport News, Va.

[**] Term: 14 Years

[21] Appl. No.: 361,120

[22] Filed: Jun. 5, 1989

[52] U.S. Cl. D14/100

[58] Field of Search D14/100, 101, 105-107, D14/113-115; D18/1, 7, 11, 12; D13/158, 162; 235/145 A, 145 R; 200/5 A, 5 R, 6 A, 6 R; 340/700, 706, 710-712; 341/22, 23; 364/706-710; 400/477, 479, 484-489, 492, 472, 682, 691, 693

[56] References Cited

U.S. PATENT DOCUMENTS

D. 281,426 11/1985 Kurihara et al. D14/100

| | | | | |
|------------|--------|----------------|-------|---------|
| D. 285,793 | 9/1986 | Moggridge | | D14/100 |
| D. 293,911 | 1/1988 | Lynar et al. | | D14/100 |
| D. 307,748 | 5/1990 | Cardona et al. | | D14/115 |
| D. 308,200 | 5/1990 | Sottsass | | D14/115 |

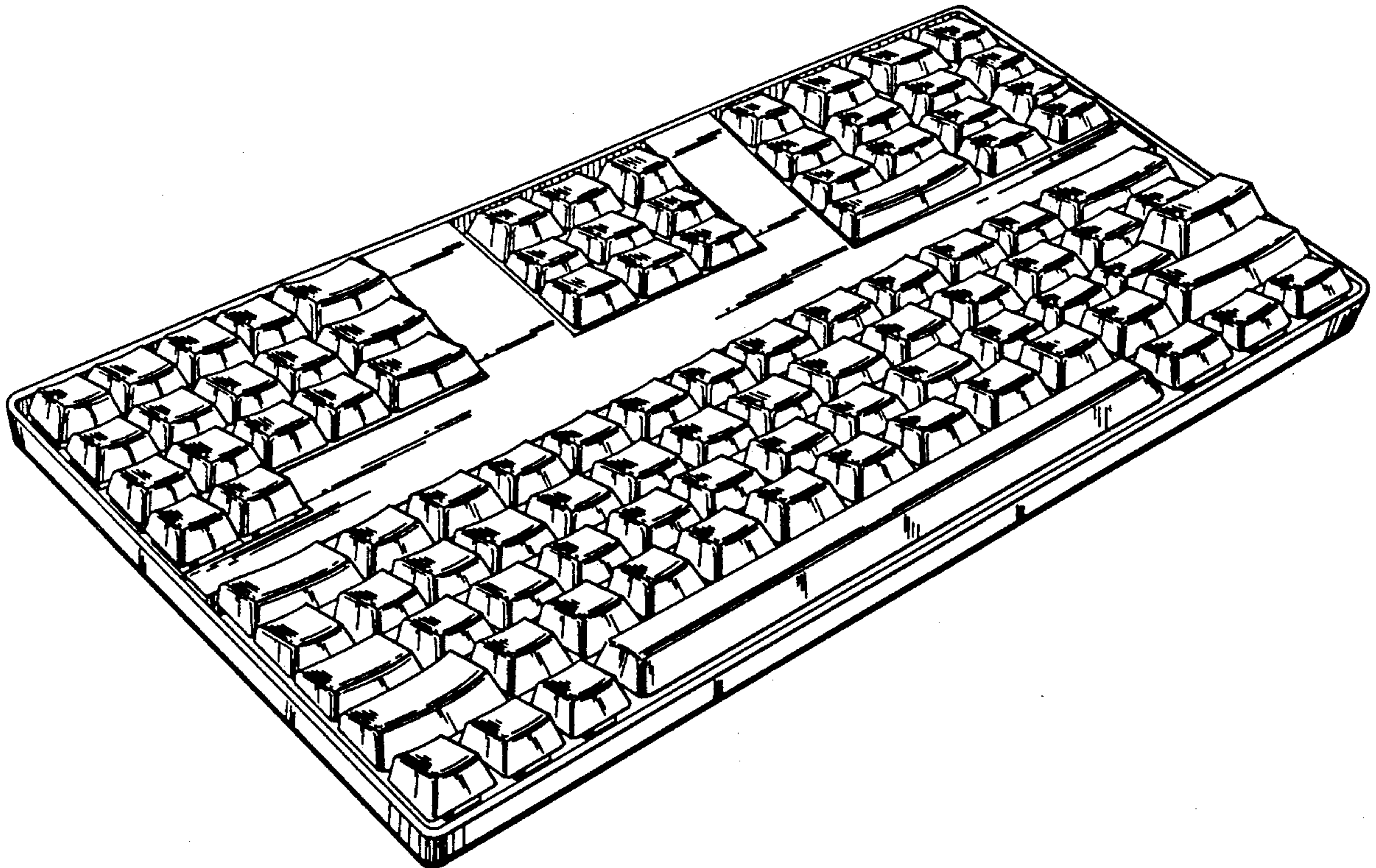
Primary Examiner—Wallace R. Burke
Assistant Examiner—Freda S. Nunn
Attorney, Agent, or Firm—Nixon & Vanderhye

[57] CLAIM

The ornamental design for a computer keyboard, as shown and described.

DESCRIPTION

FIG. 1 is a top, front, left side perspective view of a computer keyboard;
FIG. 2 is a rear elevational view thereof;
FIG. 3 is a top plan view thereof;
FIG. 4 is a front elevational view thereof;
FIG. 5 is a bottom plan view thereof;
FIG. 6 is a left side elevational view thereof;
FIG. 7 is a right side elevational view thereof.



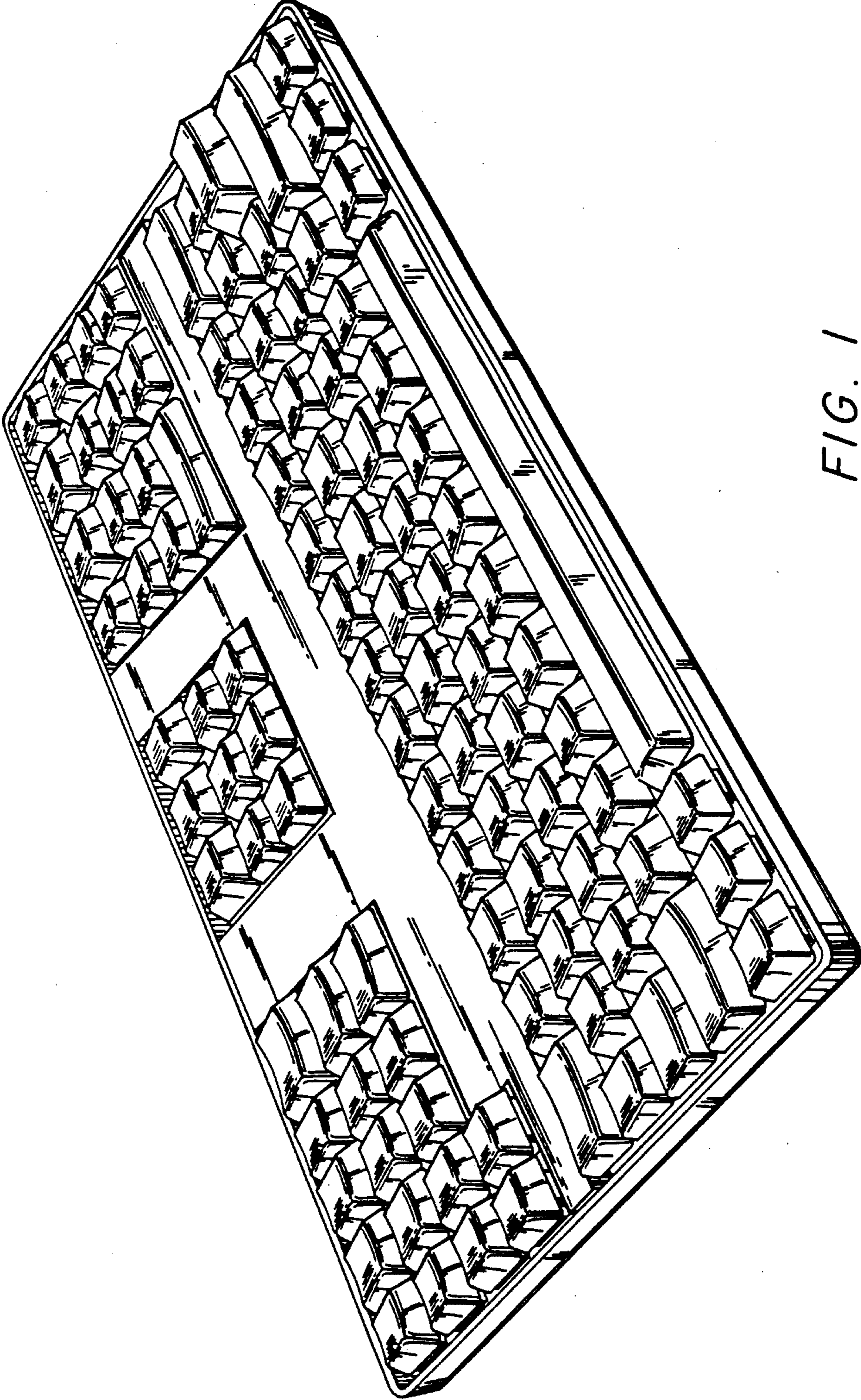


FIG. 1

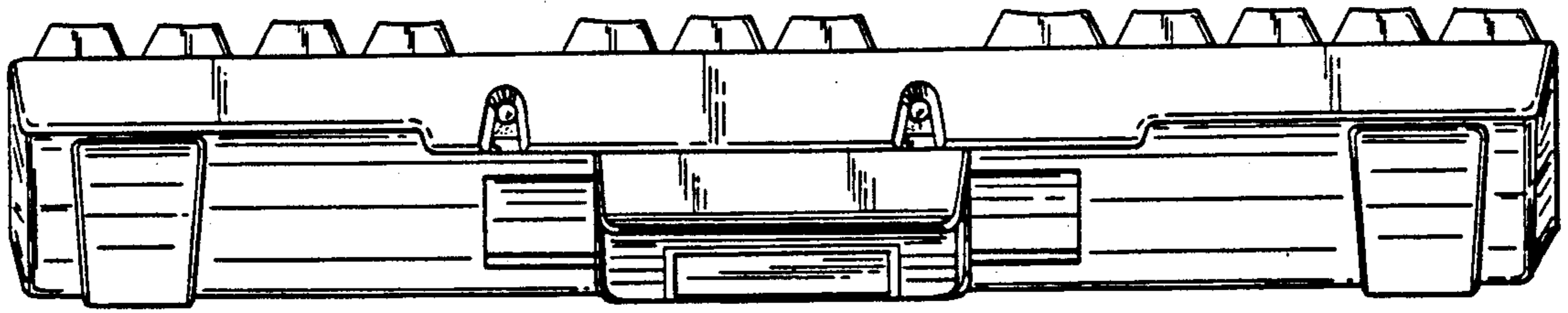


FIG. 2

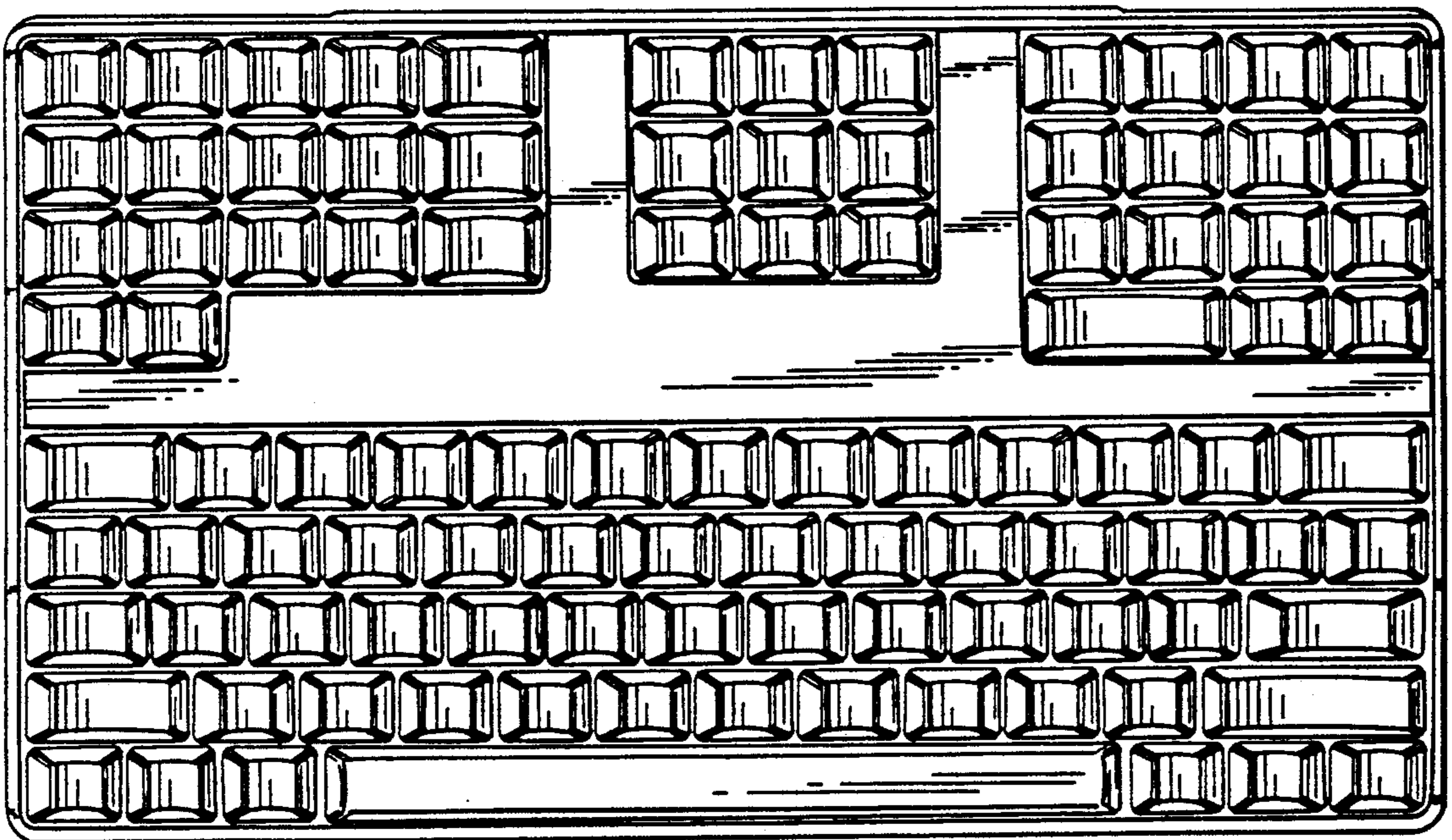


FIG. 3

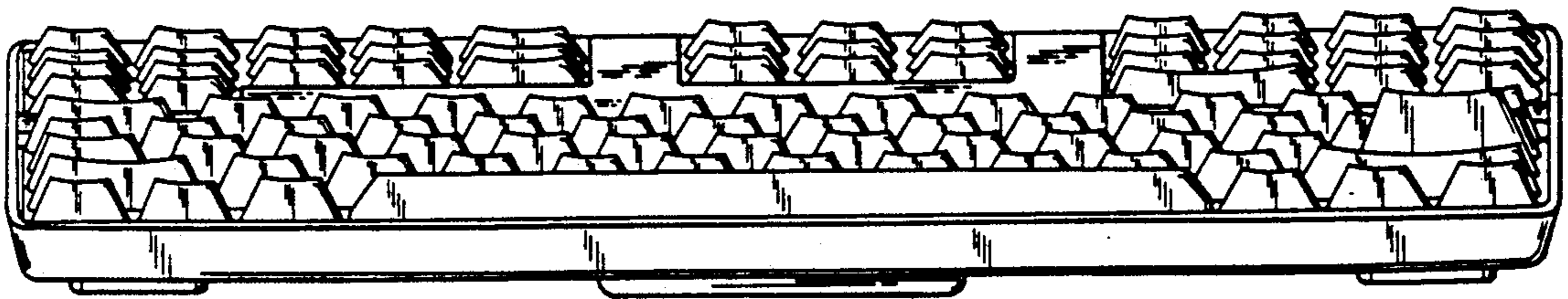


FIG. 4

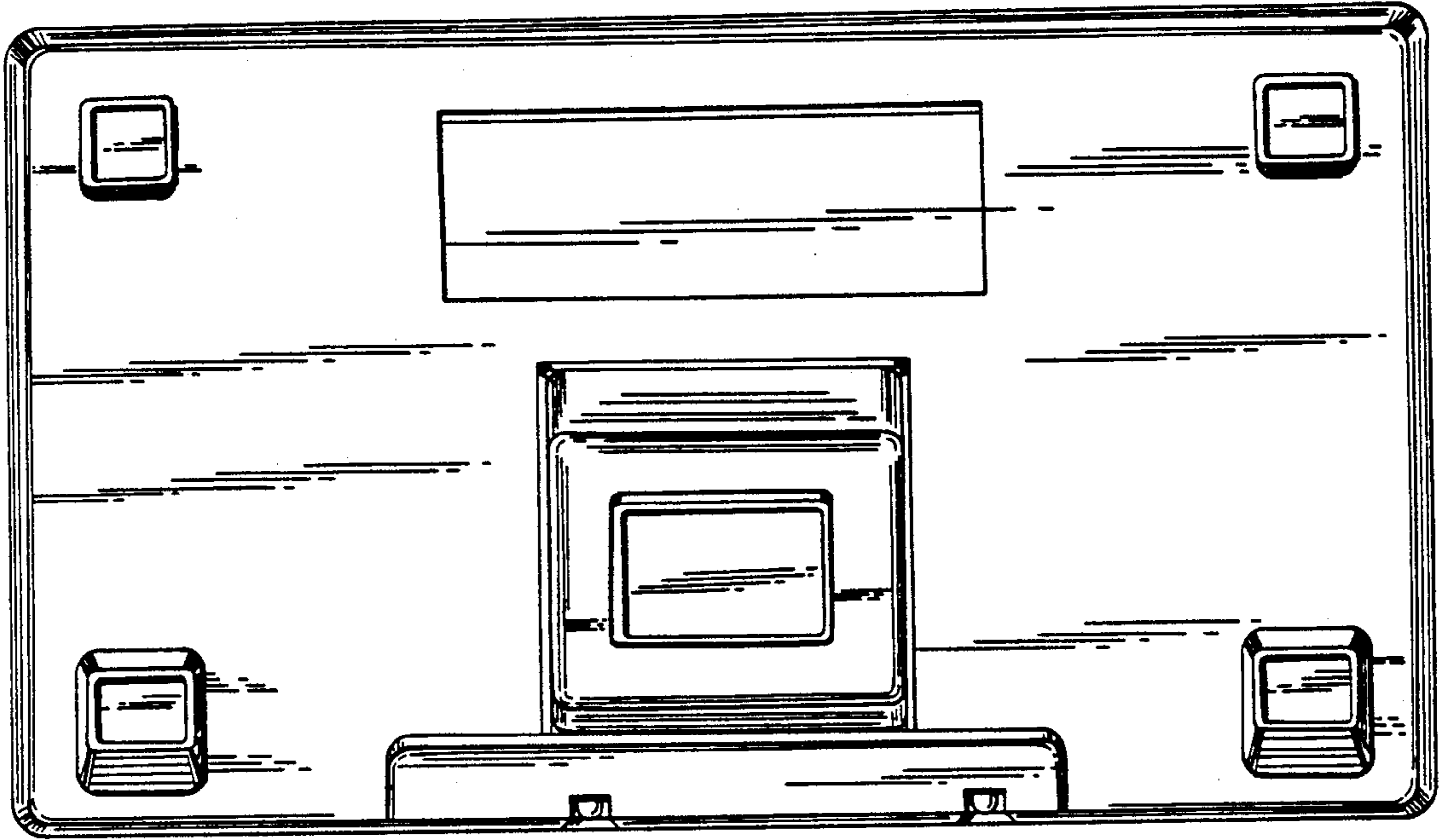


FIG. 5

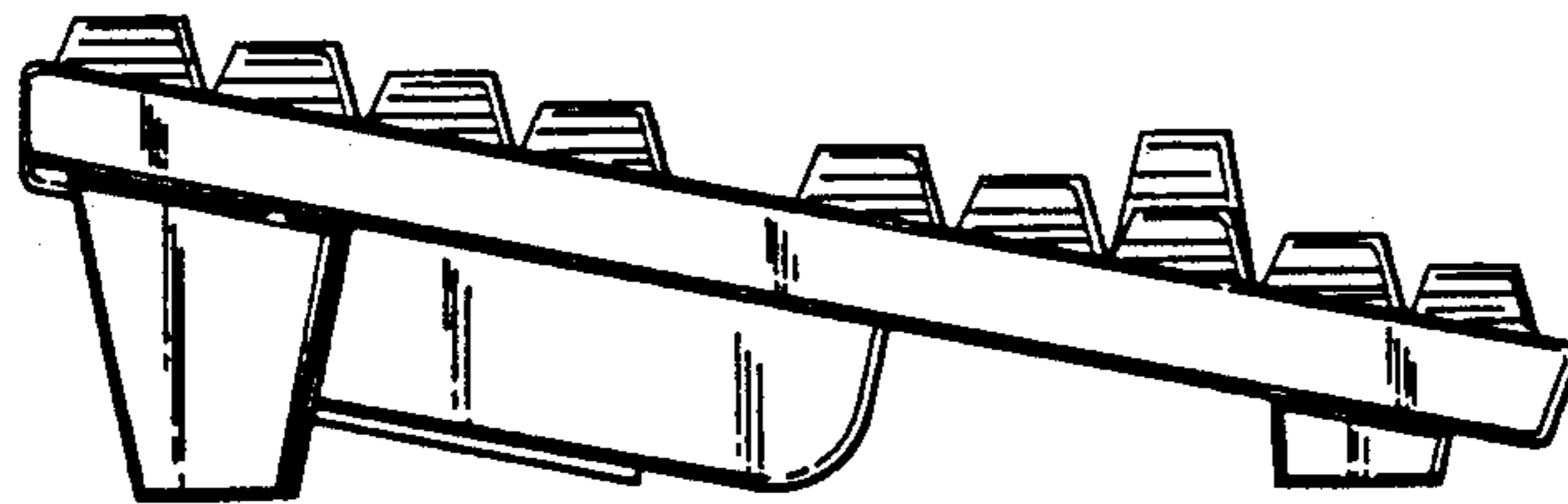


FIG. 6

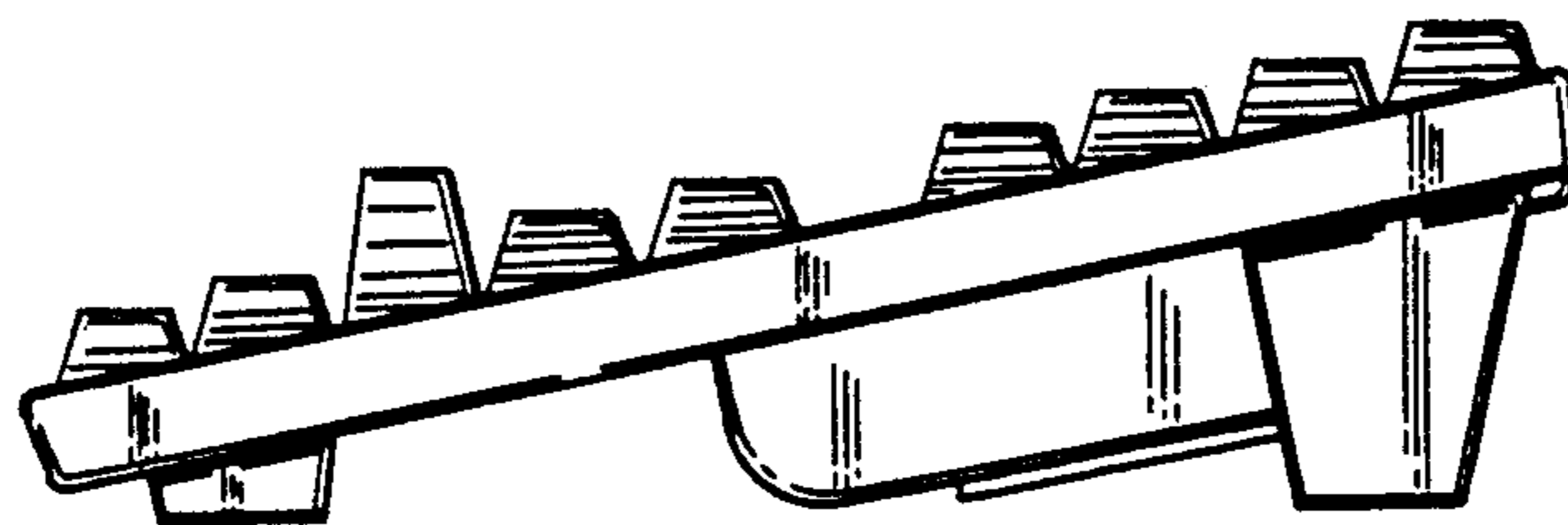


FIG. 7