

[54] PUSH BUTTON SWITCH

[75] Inventor: Kenichi Hirose, Tokyo, Japan

[73] Assignee: Nihon Kaiheiki Kogyo Kabushiki Kaisha, Japan

[**] Term: 14 Years

[21] Appl. No.: 330,884

[22] Filed: Mar. 31, 1989

[30] Foreign Application Priority Data

Dec. 21, 1988 [JP] Japan 63-49759

[52] U.S. Cl. D13/171

[58] Field of Search D13/158, 164, 177; 20/339, 303, 308, 310, 313, 315, 293, 294

[56] References Cited

U.S. PATENT DOCUMENTS

- D. 297,727 9/1988 Saito D13/171
- D. 301,136 5/1989 Saito D13/171
- 3,517,637 6/1970 Kaiser 200/308 X
- 4,749,832 6/1988 Schlosser 200/303 X

OTHER PUBLICATIONS

Keypad Switches on p. 240 of *Designer News*, 7-7-86.
Button Switches on p. 268 of 1986 Allied Catalog.
Keypad Switches on p. 23 of *New Equipment Digest* 3-89.

Primary Examiner—Susan J. Lucas
Assistant Examiner—Joel Sincavage
Attorney, Agent, or Firm—Steinberg & Raskin

[57] CLAIM

The ornamental design for a push button switch, as shown and described.

DESCRIPTION

FIG. 1 is a front elevational view of a push button switch showing my new design;
FIG. 2 is a rear elevational view thereof;
FIG. 3 is a top plan view thereof;
FIG. 4 is a bottom plan view thereof;
FIG. 5 is a left side elevational view thereof;
FIG. 6 is a right side elevational view thereof; and
FIG. 7 is a top perspective view thereof.

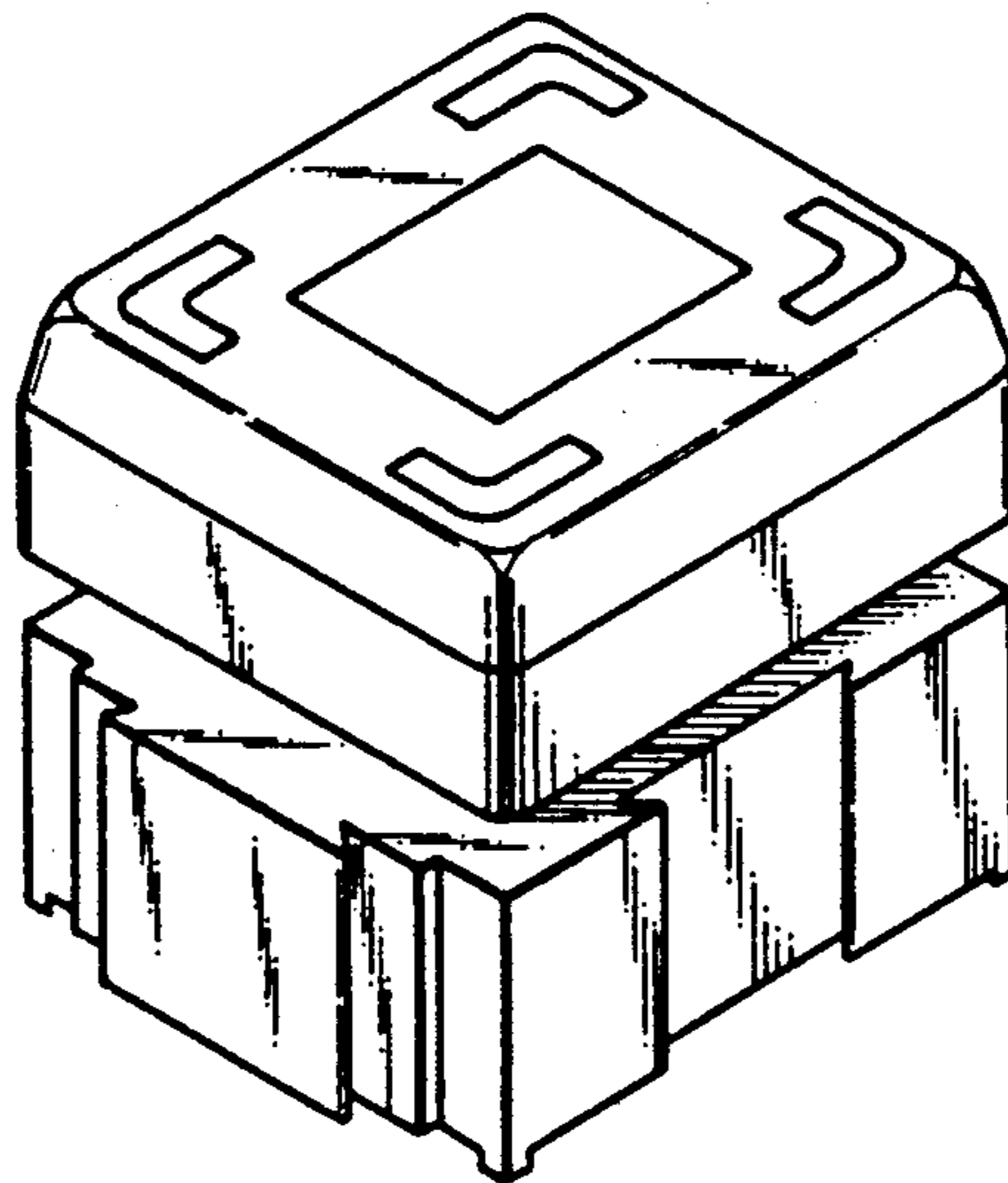


FIG. 1

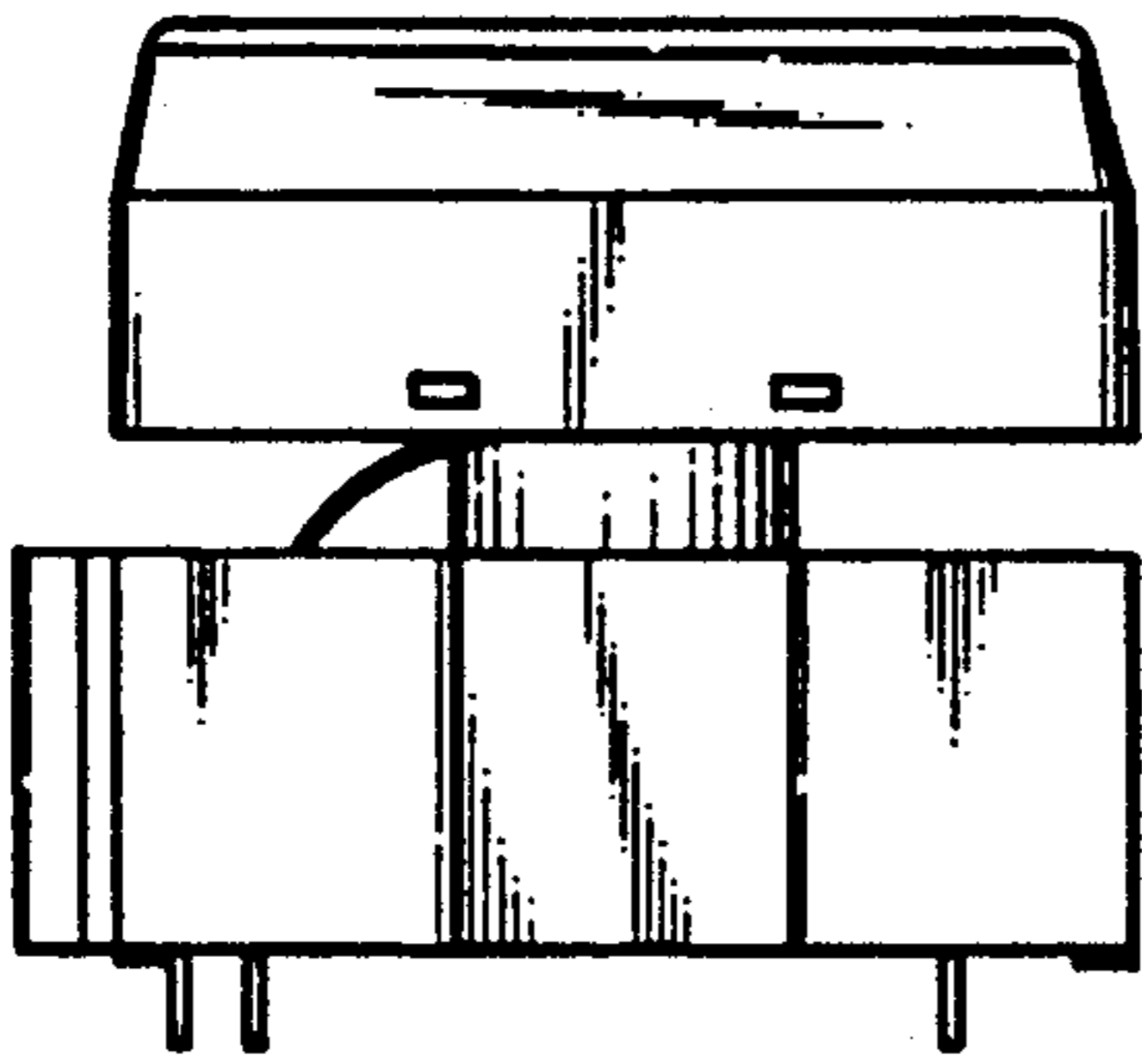


FIG. 2

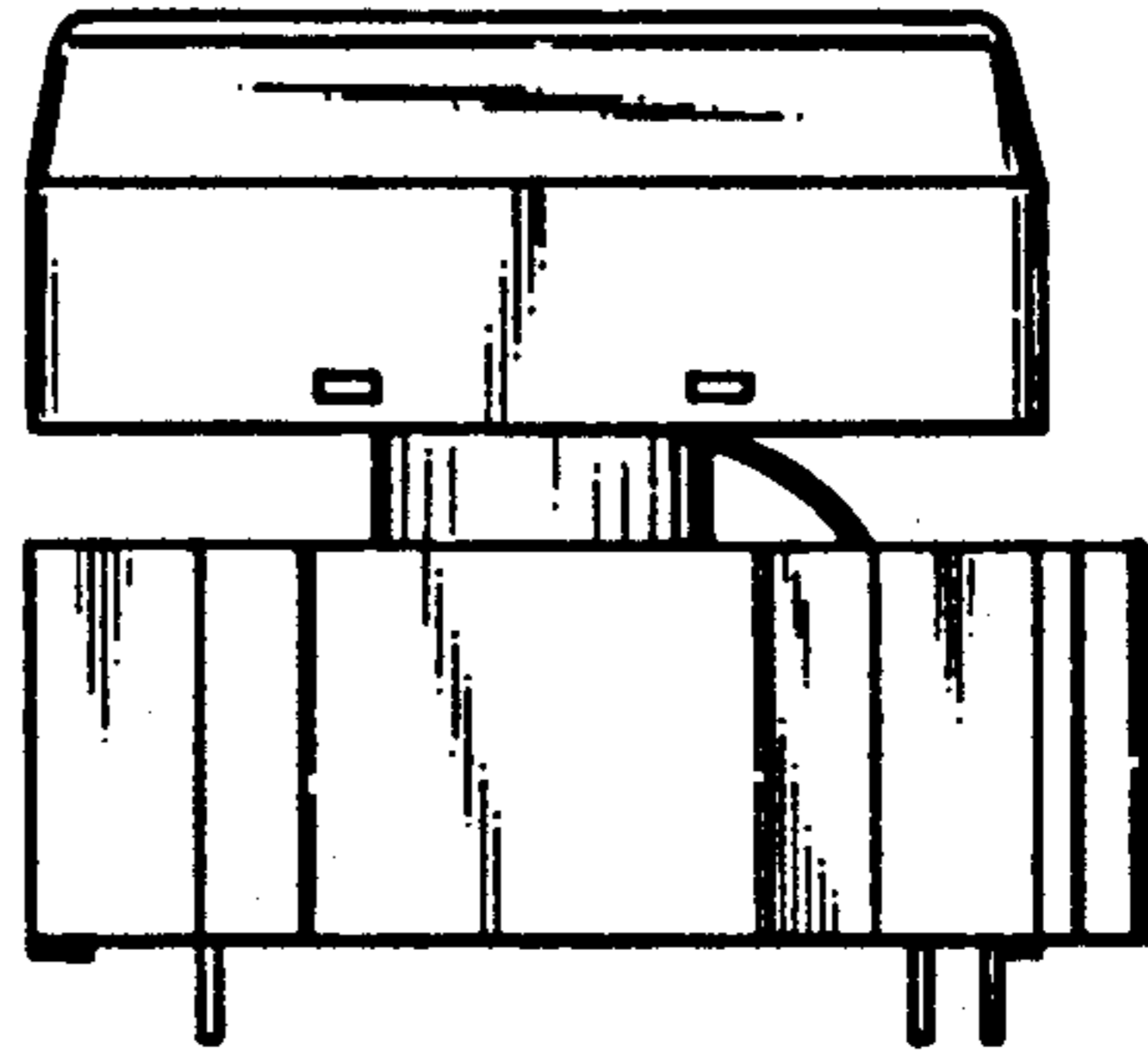


FIG. 3

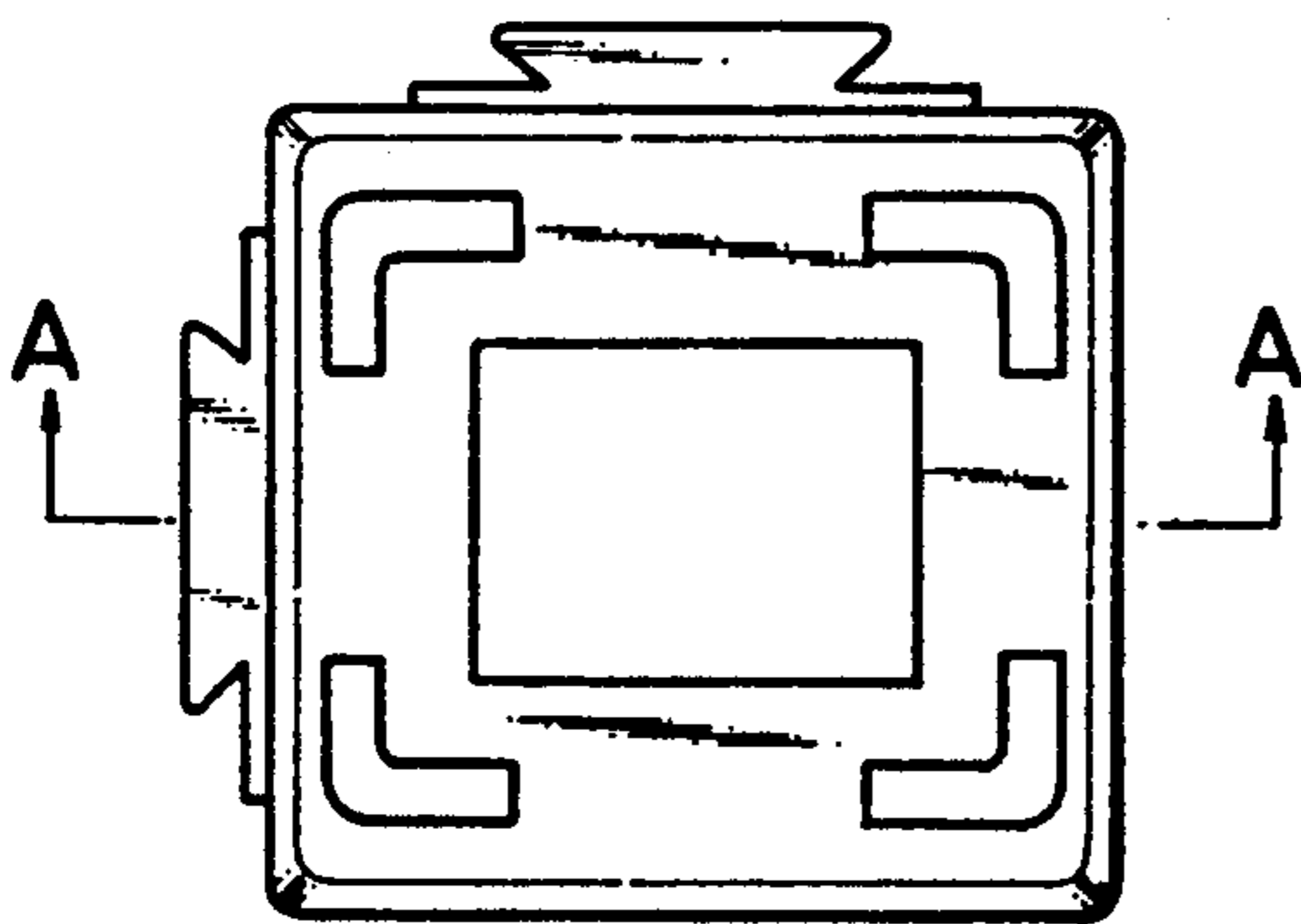


FIG. 4

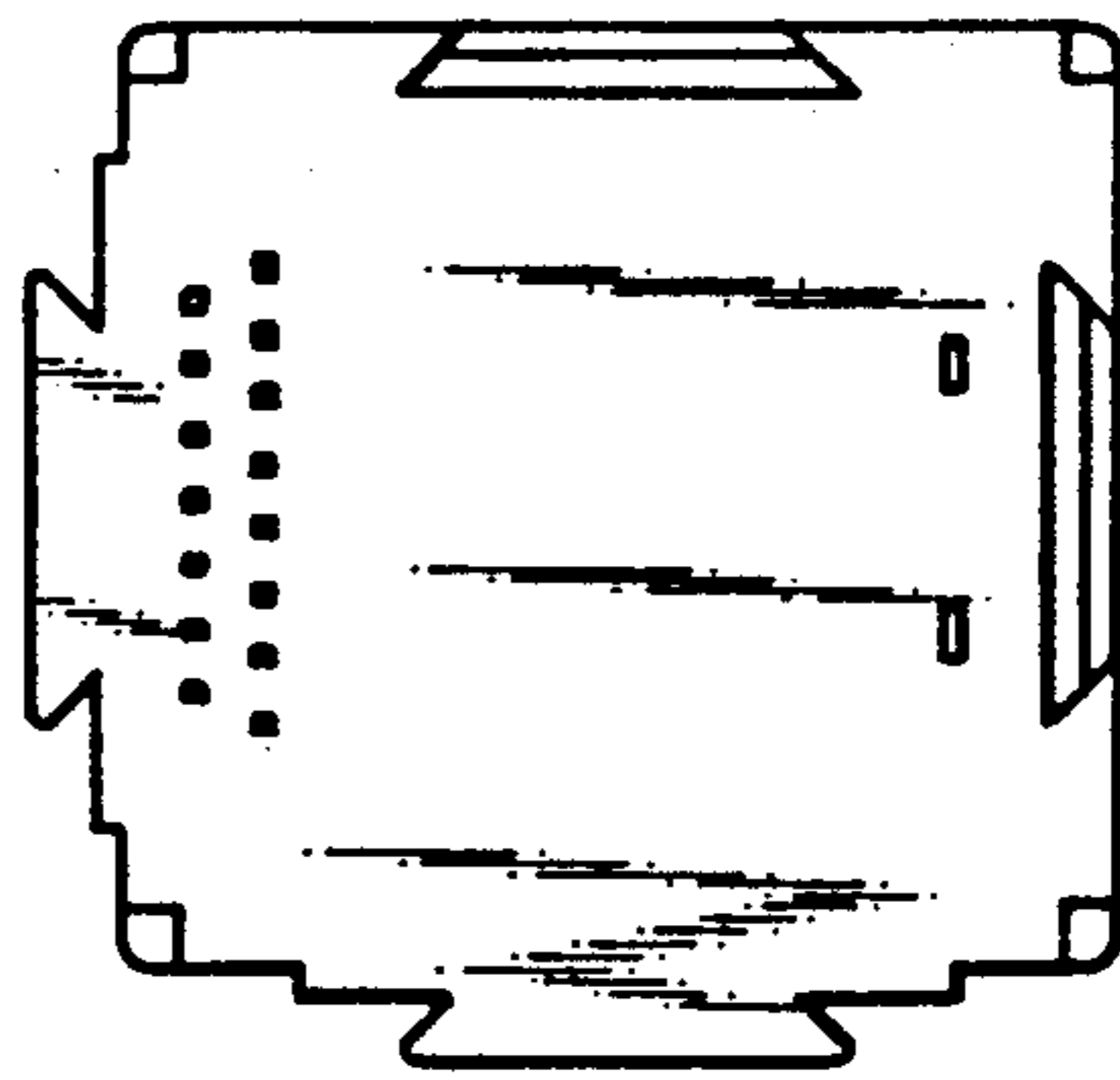


FIG. 5

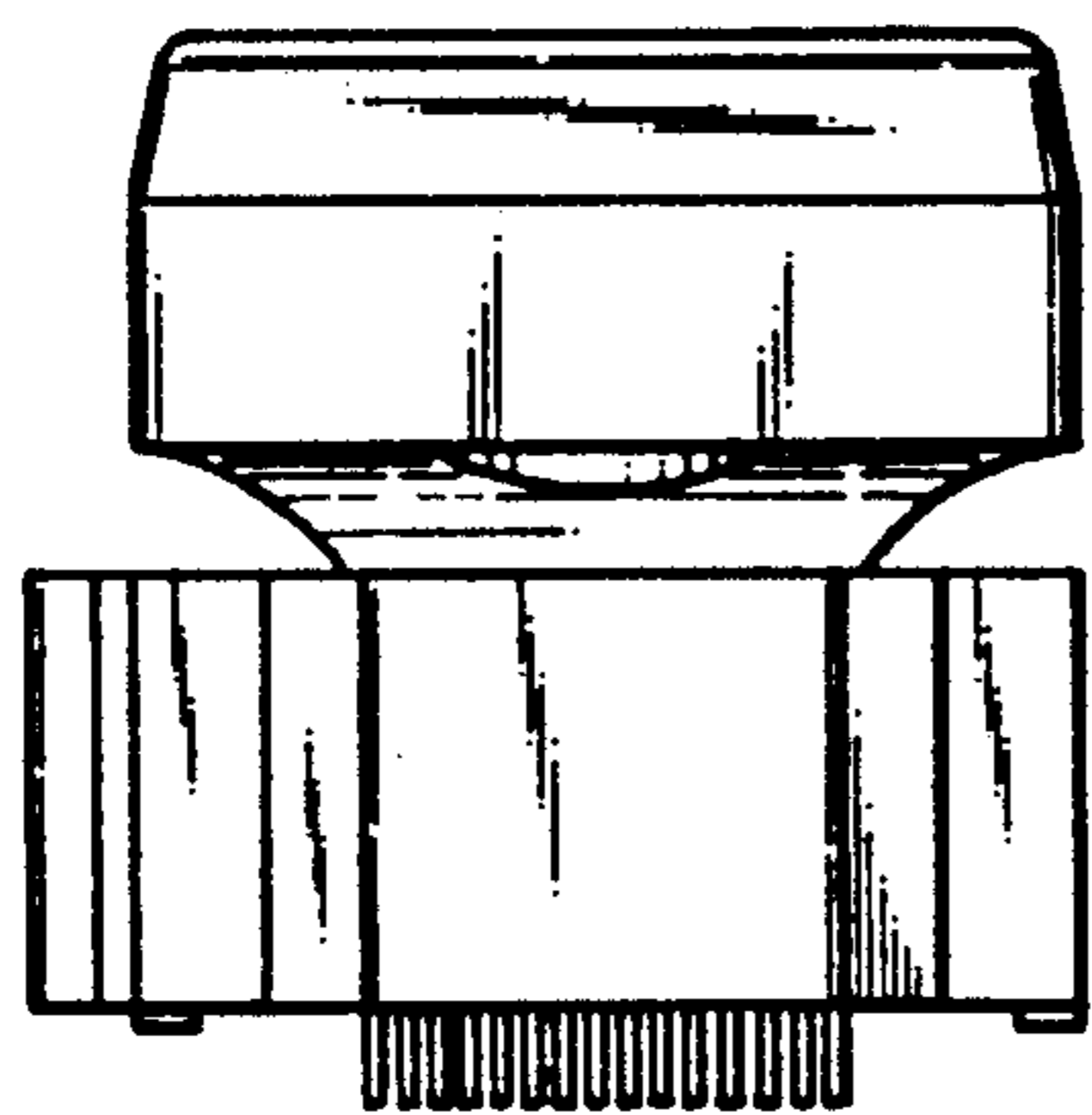


FIG. 6

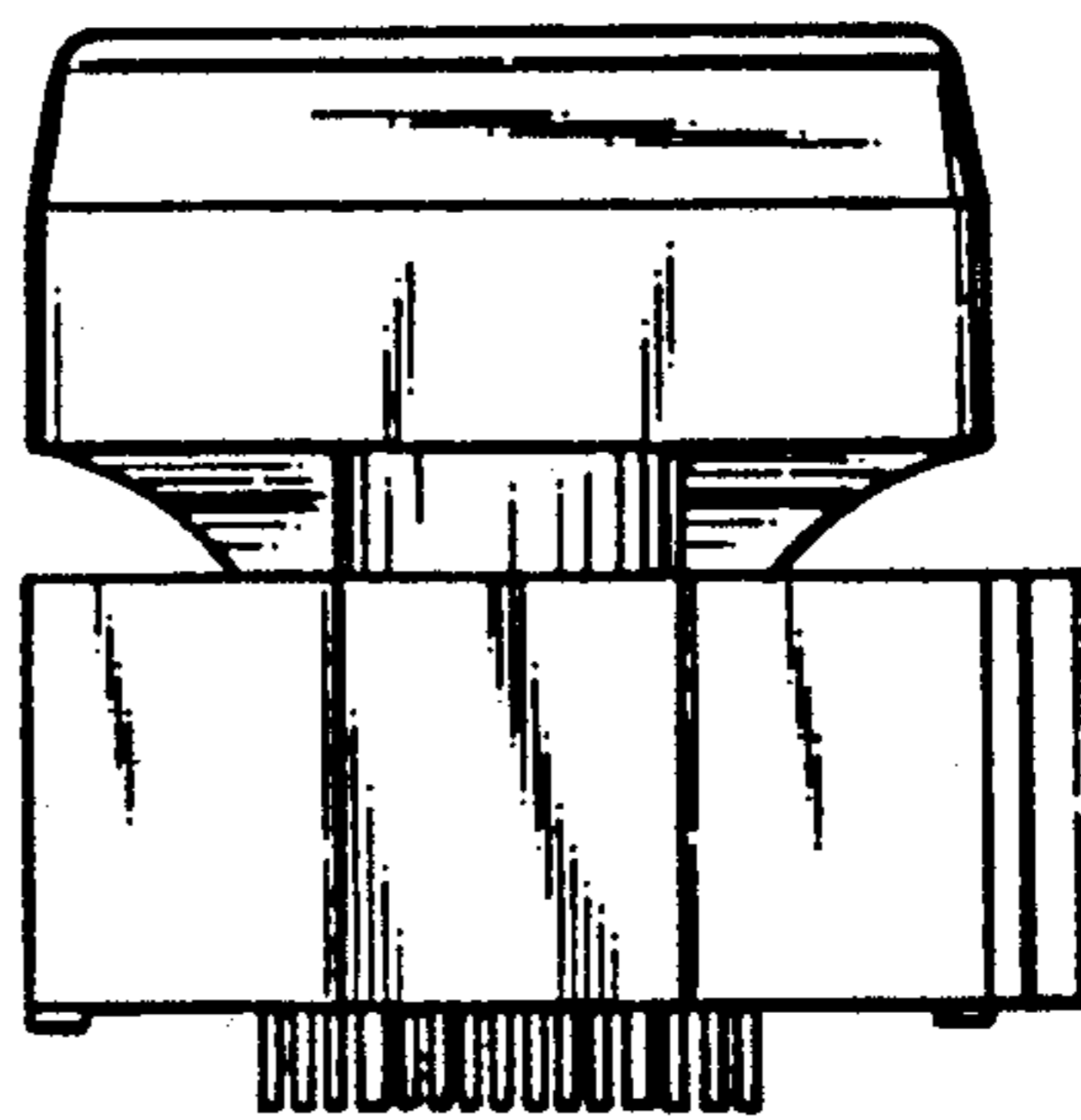


FIG. 7

