

[54] POWER BOAT

[76] Inventor: Adam E. Prystupa, 3200 W. Lawn Ave., Tampa, Fla. 33611

[**] Term: 14 Years

[21] Appl. No.: 348,649

[22] Filed: May 8, 1989

[52] U.S. Cl. D12/300; D12/318; D12/310

[58] Field of Search D12/300, 311, 318, 309, D12/310, 304; 114/56, 271, 361, 363, 343, 355, 283, 288, 289, 290, 291

[56] References Cited

U.S. PATENT DOCUMENTS

D. 235,858	7/1975	Lyford	D12/311
3,401,663	9/1968	Yost	114/283
4,781,136	11/1988	Van der Velden	D12/318

OTHER PUBLICATIONS

Popular Science, May 1978, p. 73, "Miss Budweiser Hydroplane".

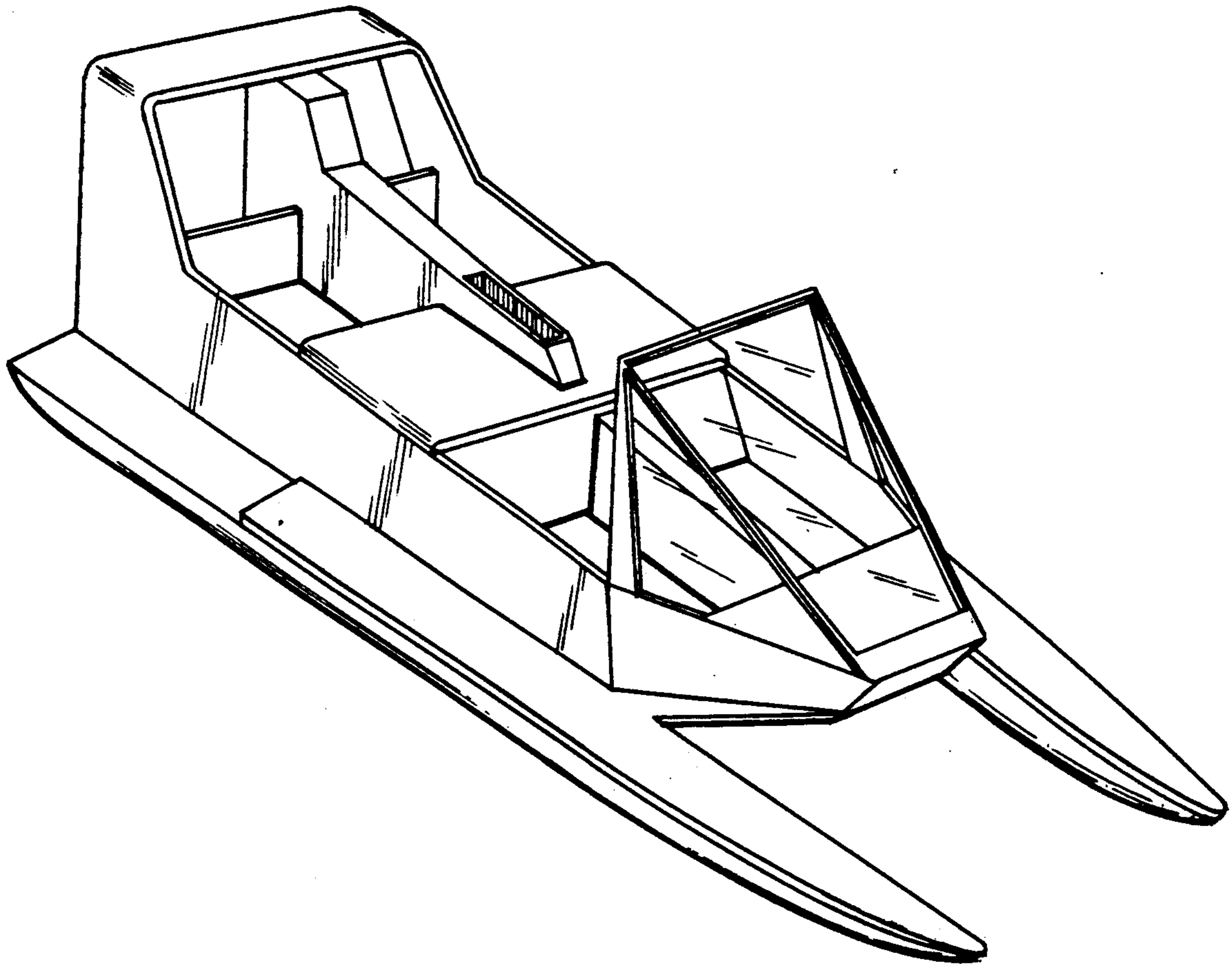
Primary Examiner—Kay H. Chin
Attorney, Agent, or Firm—Stanley M. Miller

[57] CLAIM

The ornamental design for a power boat, as shown and described.

DESCRIPTION

FIG. 1 is a front and top perspective view of a power boat showing my new design;
FIG. 2 is a left side elevational view thereof;
FIG. 3 is a right side elevational view thereof;
FIG. 4 is a top plan view thereof;
FIG. 5 is a bottom plan view thereof;
FIG. 6 is a front elevational view thereof; and
FIG. 7 is a rear elevational view thereof.



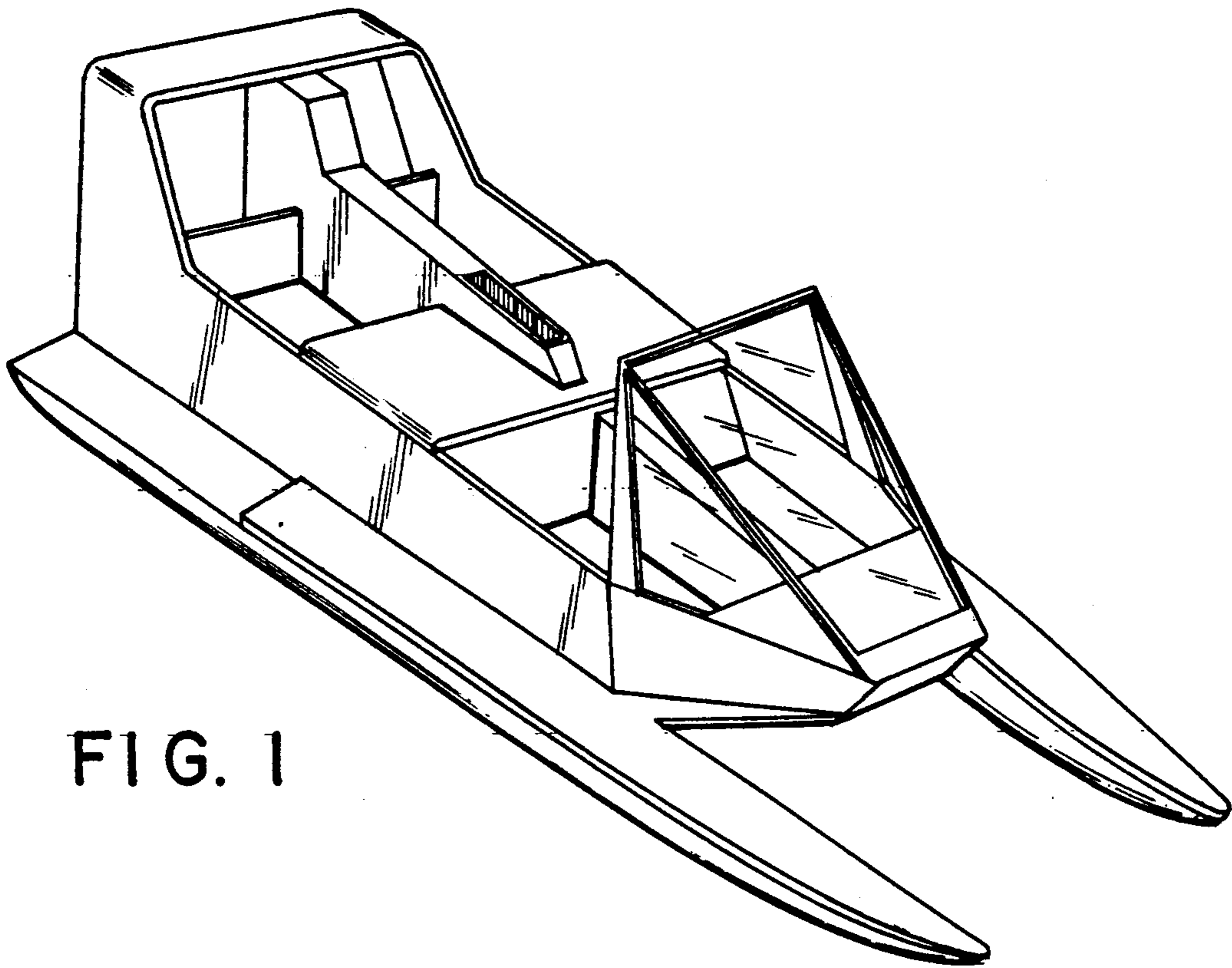


FIG. 1

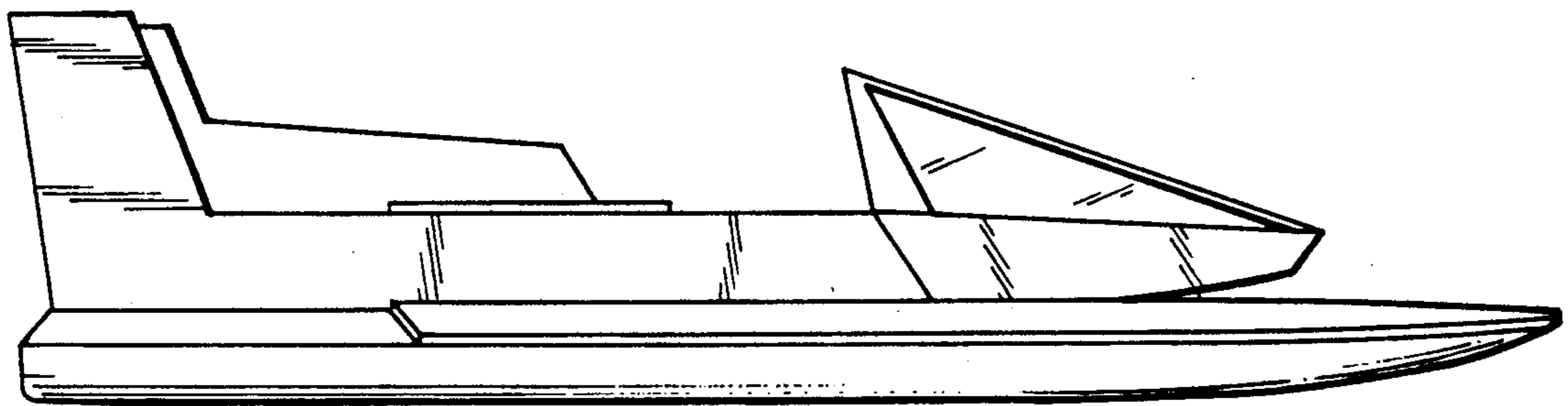


FIG. 2

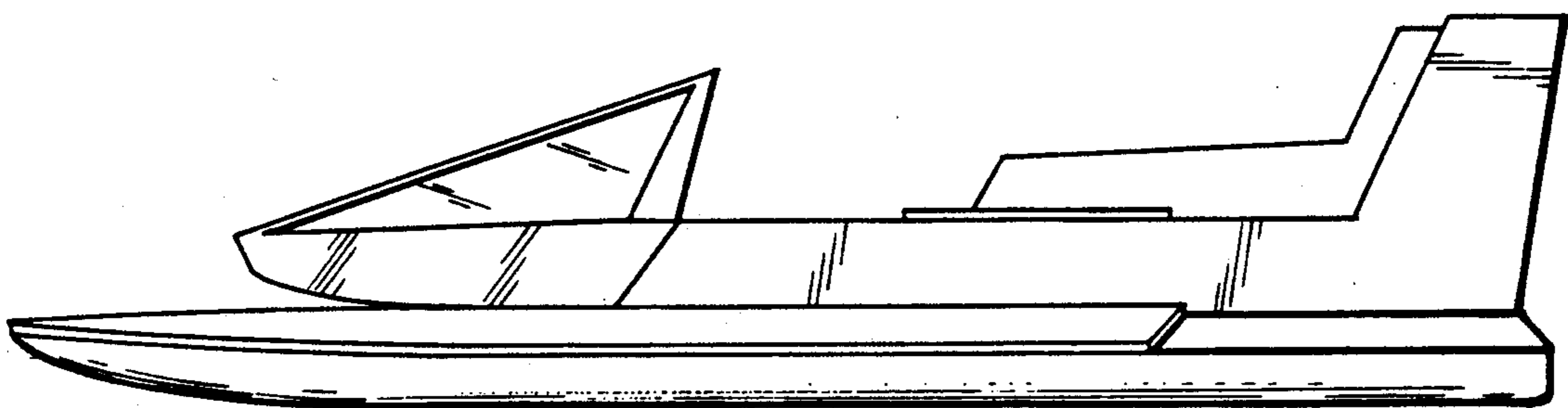


FIG. 3

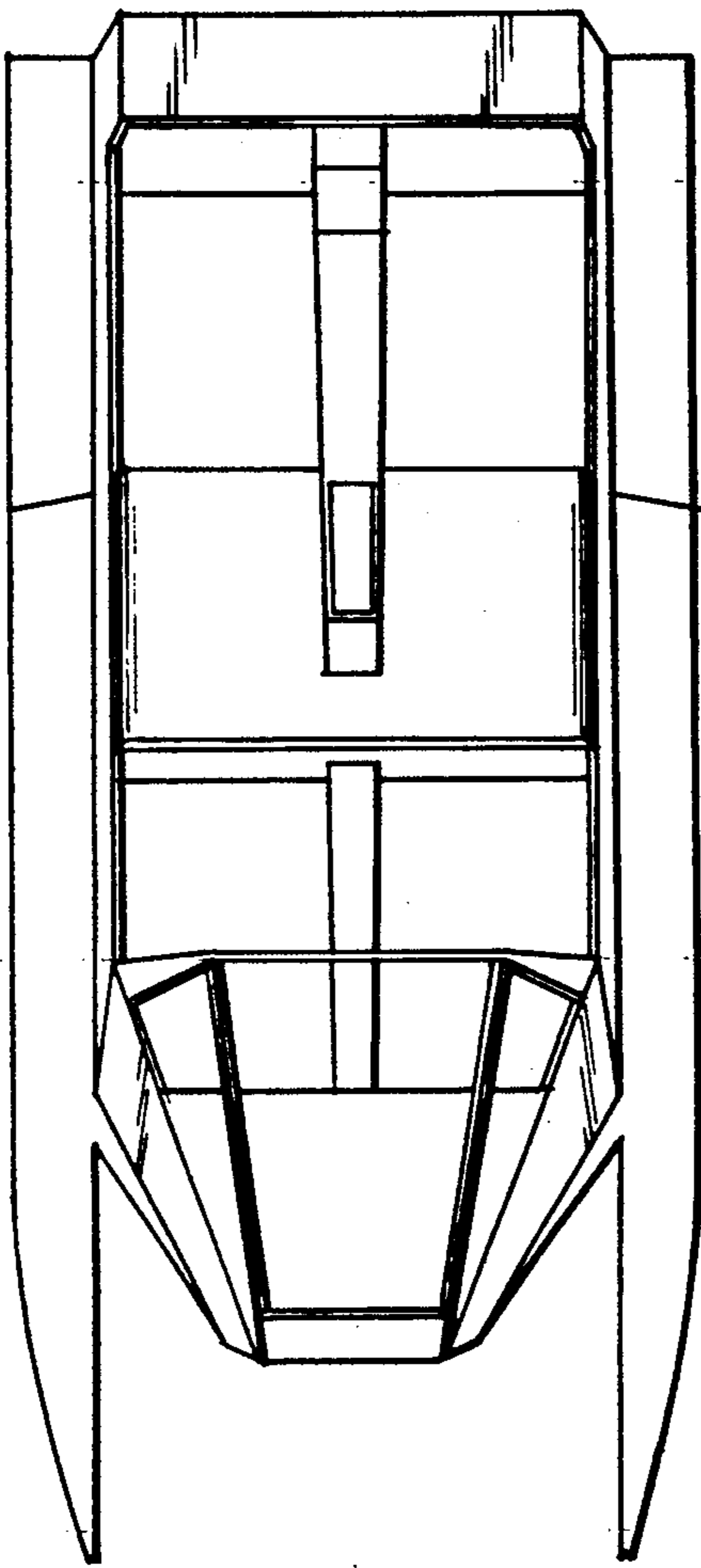


FIG. 4

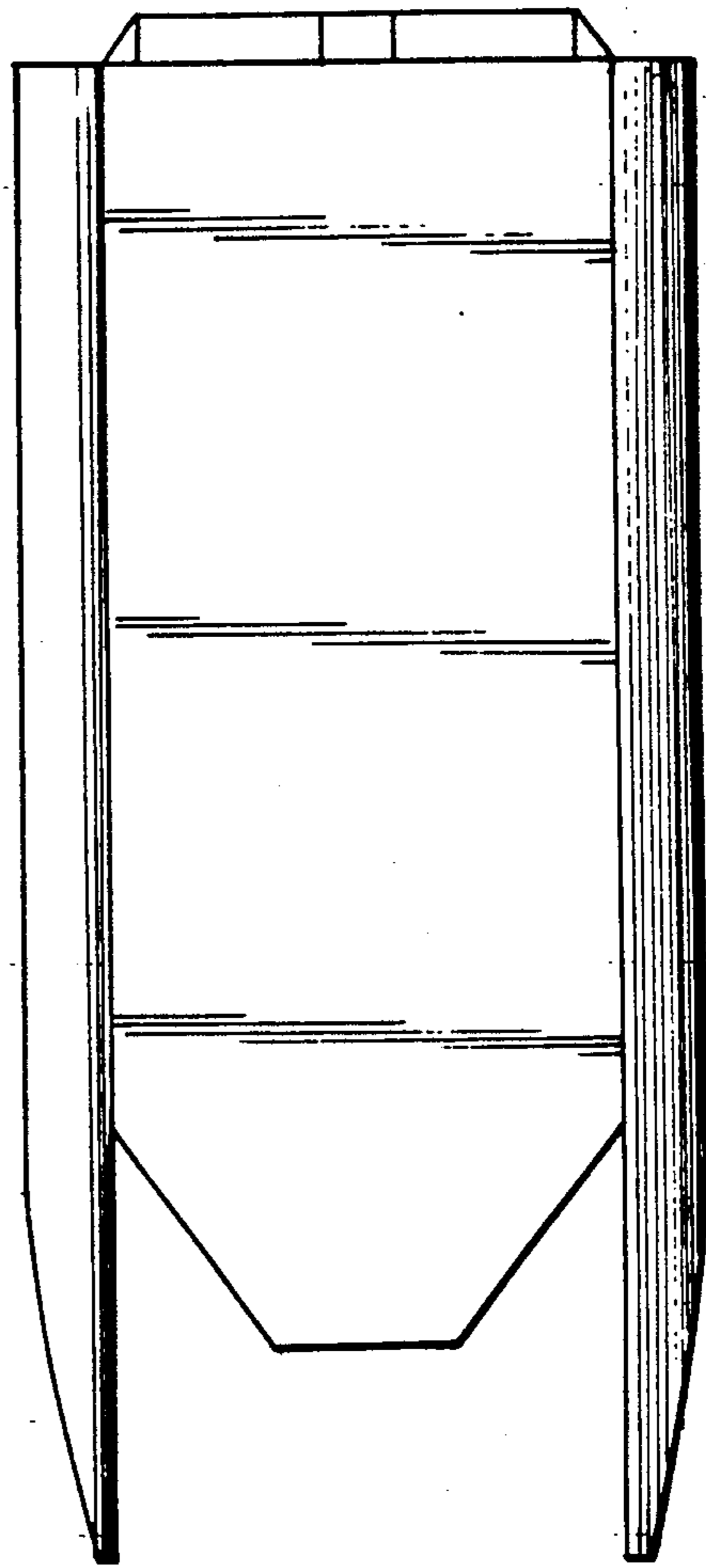


FIG. 5

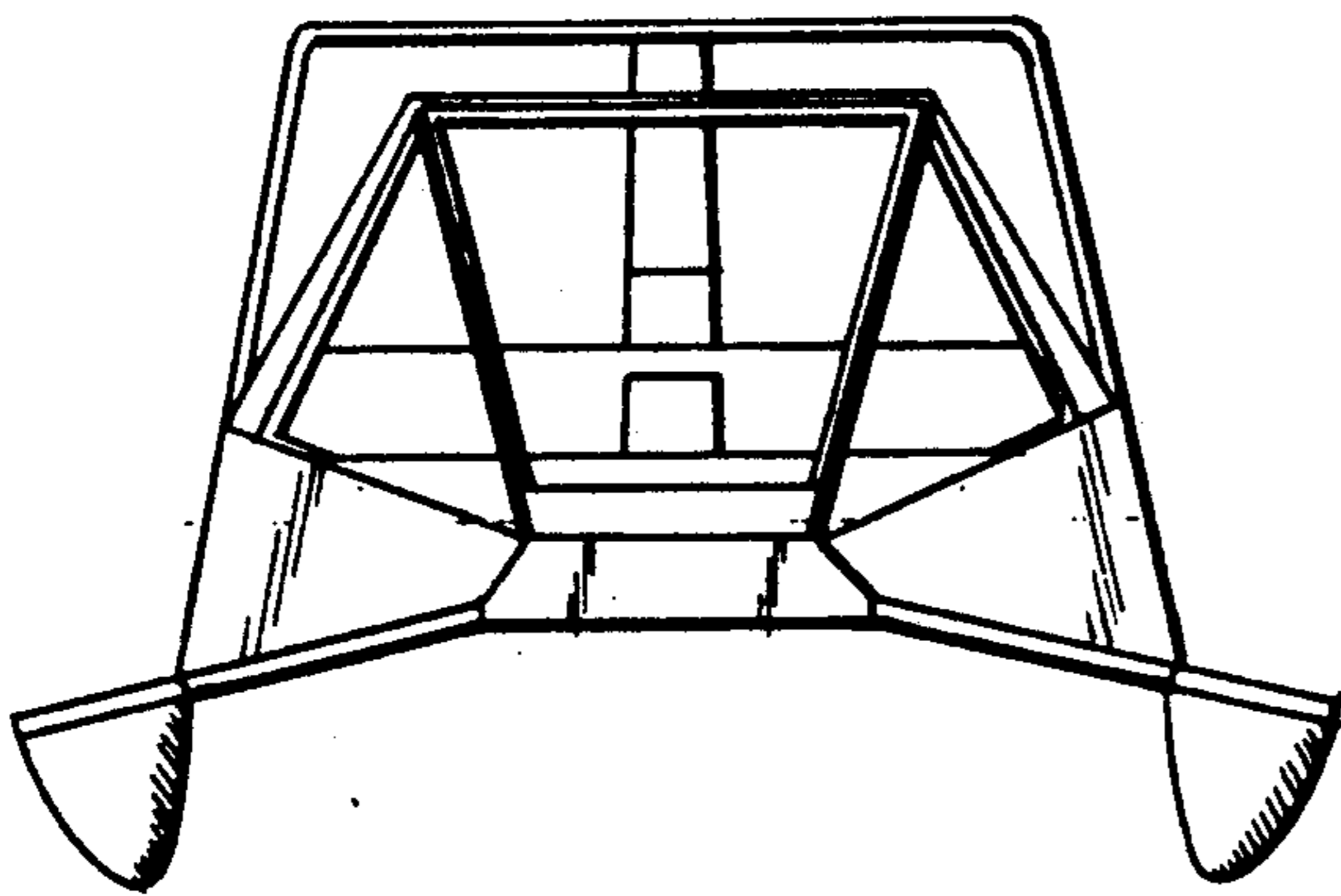


FIG. 6

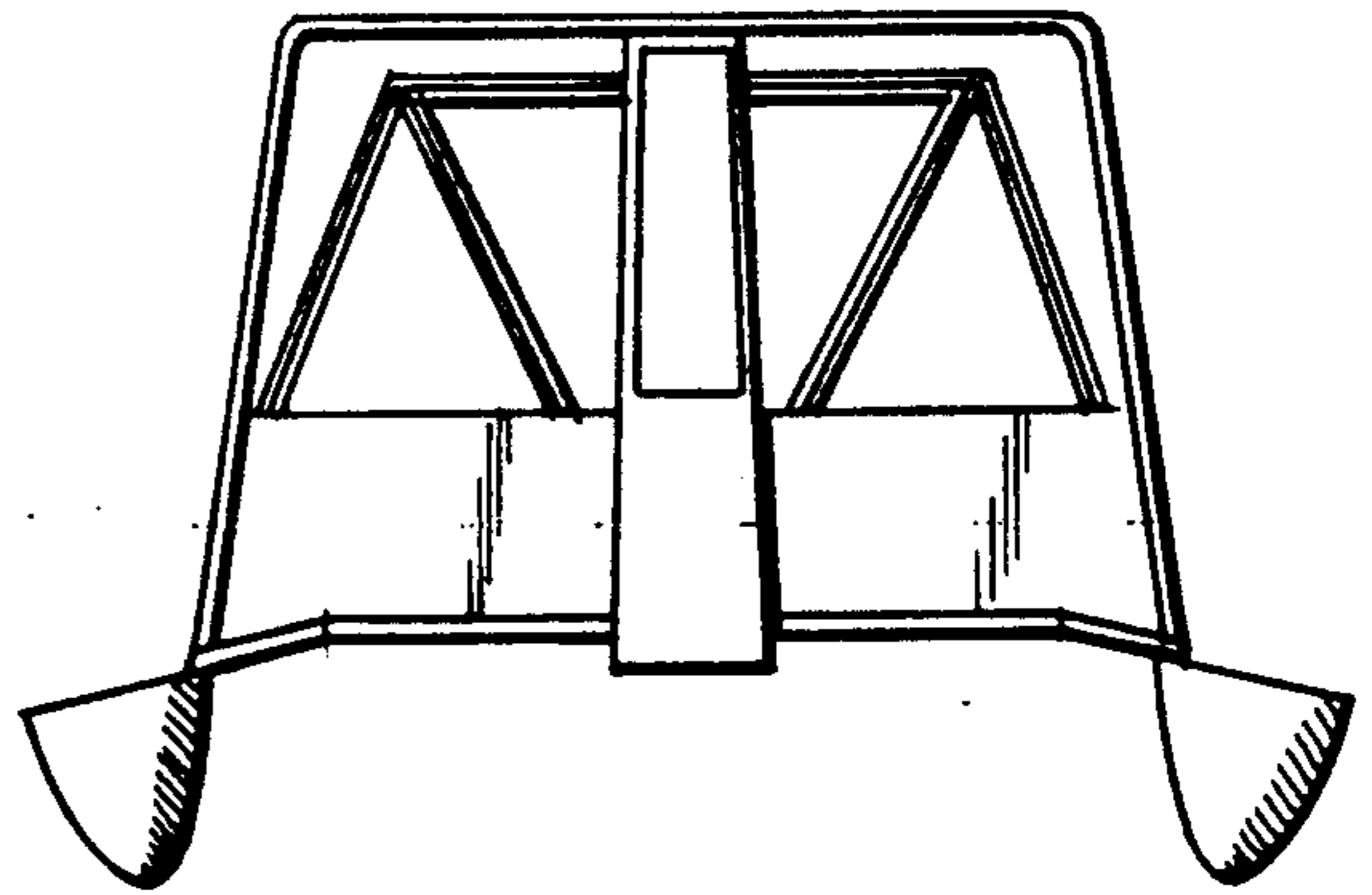


FIG. 7