

[54] WINDOW PAD

[76] Inventor: George M. Fenn, 4630 Mission Blvd., San Diego, Calif. 92109

[**] Term: 14 Years

[21] Appl. No.: 213,972

[22] Filed: Jun. 27, 1988

[52] U.S. Cl. D12/155; D25/52

[58] Field of Search D25/52, 119, 122, 124, D25/121; D6/575, 601, 596; D12/155; 49/428, 513; 248/118, 200, 118.1, 118.3, 118.5; 297/227-229, 411-413; 296/153, 193; 428/122

[56] References Cited

U.S. PATENT DOCUMENTS

D. 249,673 9/1978 Cortez D12/155

1,374,907	4/1921	Cofrode	248/118
1,650,385	11/1927	Payton	297/413
1,873,190	8/1932	Dollar	296/153
1,962,508	6/1934	Josselyn	248/118
2,803,493	10/1954	Haefliger	296/153

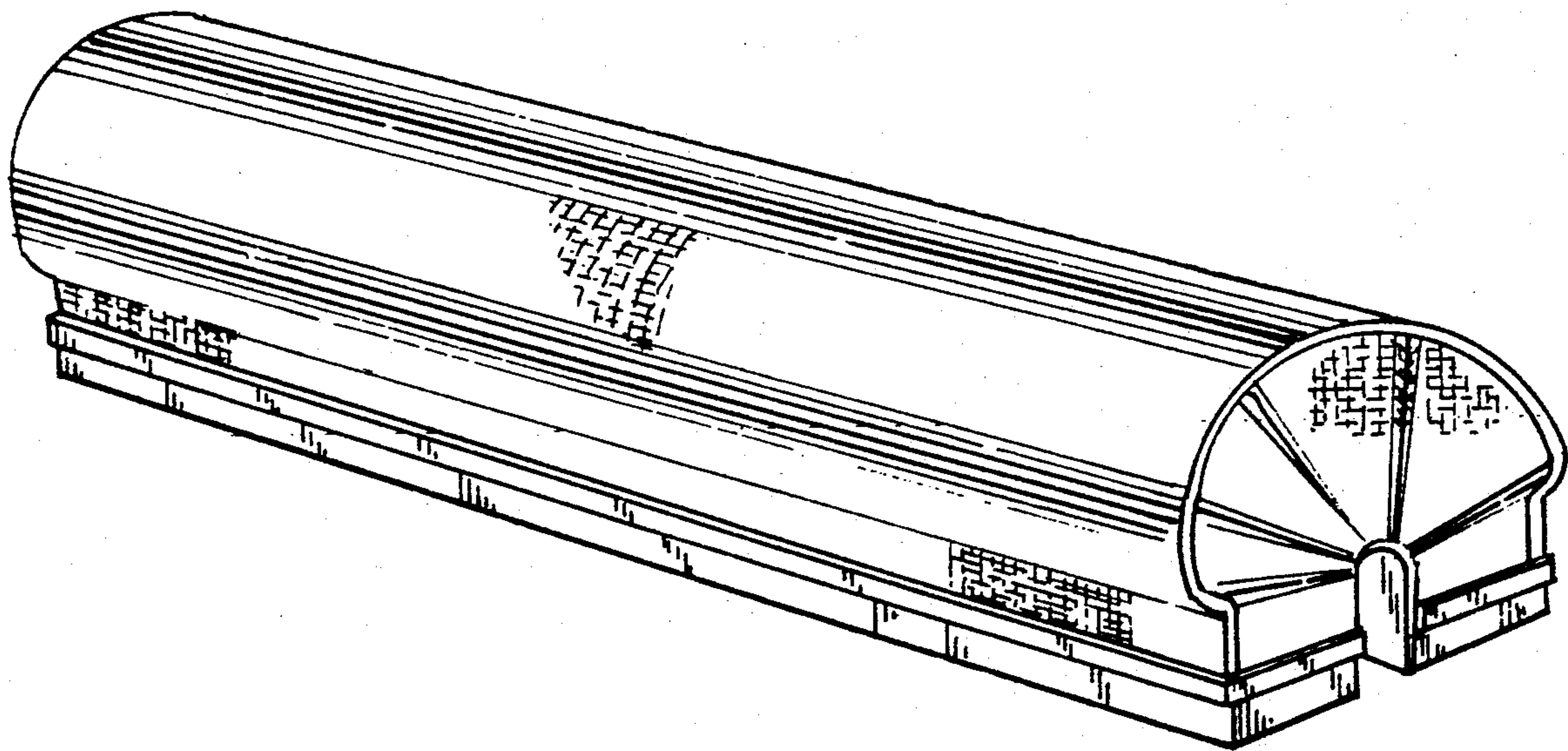
Primary Examiner—A. Hugo Word
Assistant Examiner—Doris Clark
Attorney, Agent, or Firm—Andsel Group, Inc.

[57] CLAIM

The ornamental design for a window pad, as shown and described.

DESCRIPTION

FIG. 1 is a top, front, perspective view of a window pad showing my new design, the rear and side not shown being identical to the front and side shown; and, FIG. 2 is a bottom plan view thereof.



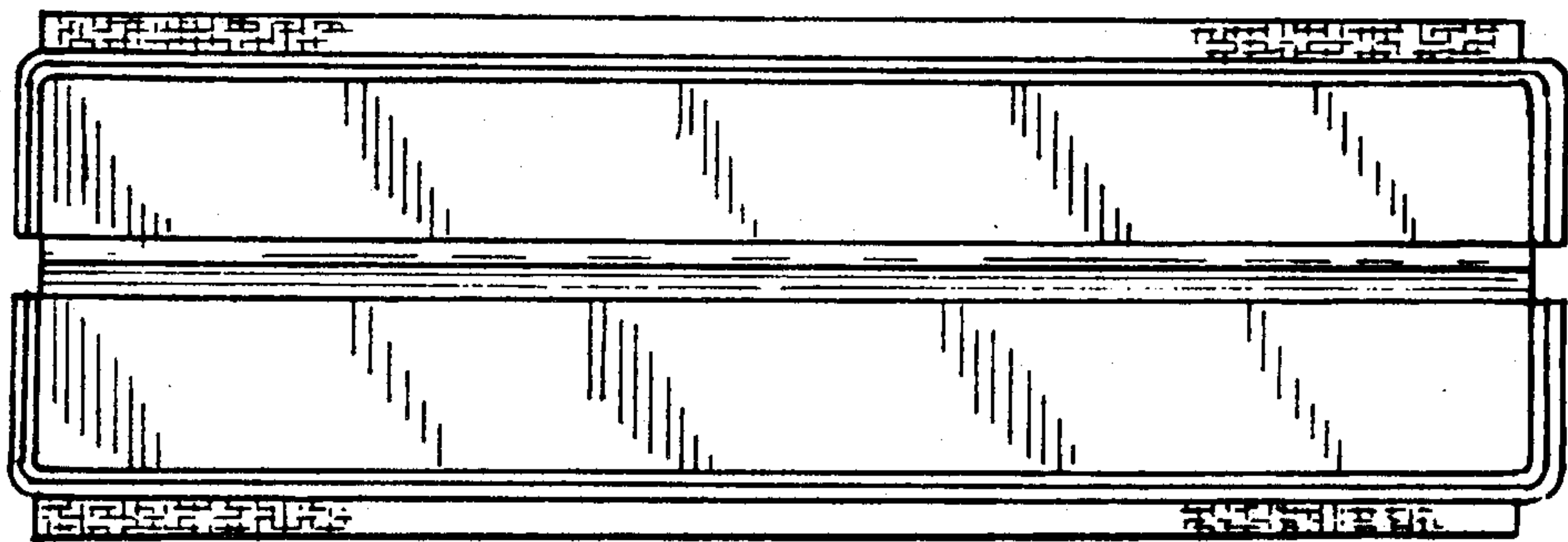
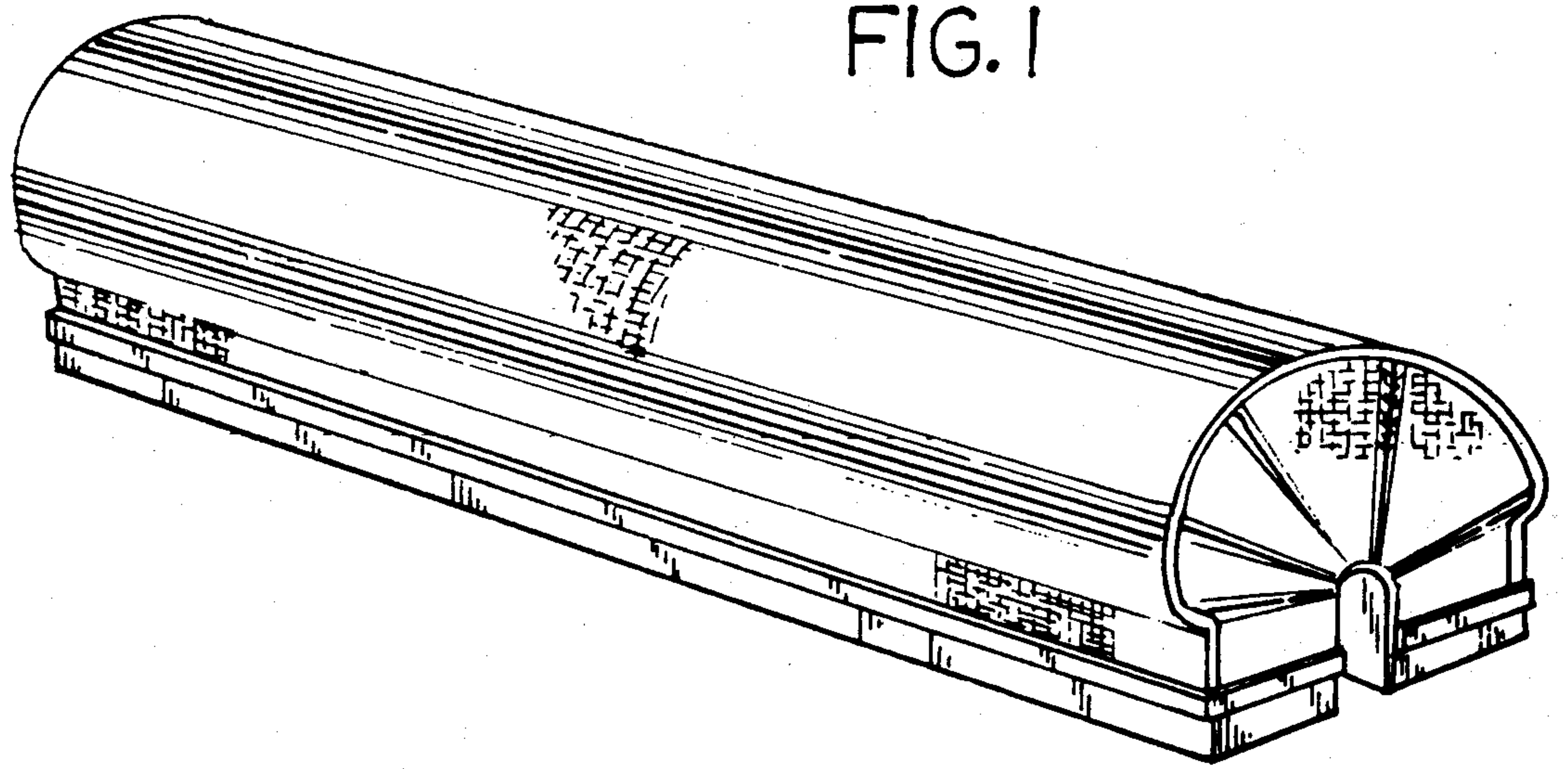


FIG. 2