

[54] FOOD CONTAINER OR THE LIKE

[75] Inventor: Martin J. Wolff, North Providence, R.I.

[73] Assignee: Dart Industries Inc., Deerfield, Ill.

[**] Term: 14 Years

[21] Appl. No.: 275,021

[22] Filed: Nov. 18, 1988

[52] U.S. Cl. D9/431; D9/424

[58] Field of Search D9/424, 425, 432, 456, D9/414, 429, 430, 431; D7/602, 612, 619, 550, 542, 552, 614, 615, 565; 206/518; 220/74, 72, 82 R; 229/2.5 R

[56] References Cited

U.S. PATENT DOCUMENTS

| | | | |
|------------|---------|------------------------|-----------|
| D. 239,695 | 4/1976 | Fier, Jr. | D9/431 X |
| D. 267,395 | 12/1982 | Groenewold et al. | D9/431 X |
| D. 272,505 | 2/1984 | Daenen et al. | D9/431 X |
| D. 279,952 | 8/1985 | Daenen et al. | D7/614 X |
| D. 281,048 | 10/1985 | Wolff | D7/602 |
| D. 286,844 | 11/1986 | Daenen et al. | D7/566 |
| D. 288,063 | 2/1987 | Tyler | D9/432 X |
| D. 289,597 | 5/1987 | Aueritt | D7/605 |
| 3,038,634 | 6/1962 | Cheeley | 220/74 X |
| 3,941,301 | 3/1976 | Jorgensen | 206/518 X |

OTHER PUBLICATIONS

Tupperware Cat. 10-1984, p. 3, Square Container.
Tupperware Cat. 6-1986, p. 5 Item No. 58.
Tupperware Cat. 9-1984 p. 9 Item No. B80 and B85.

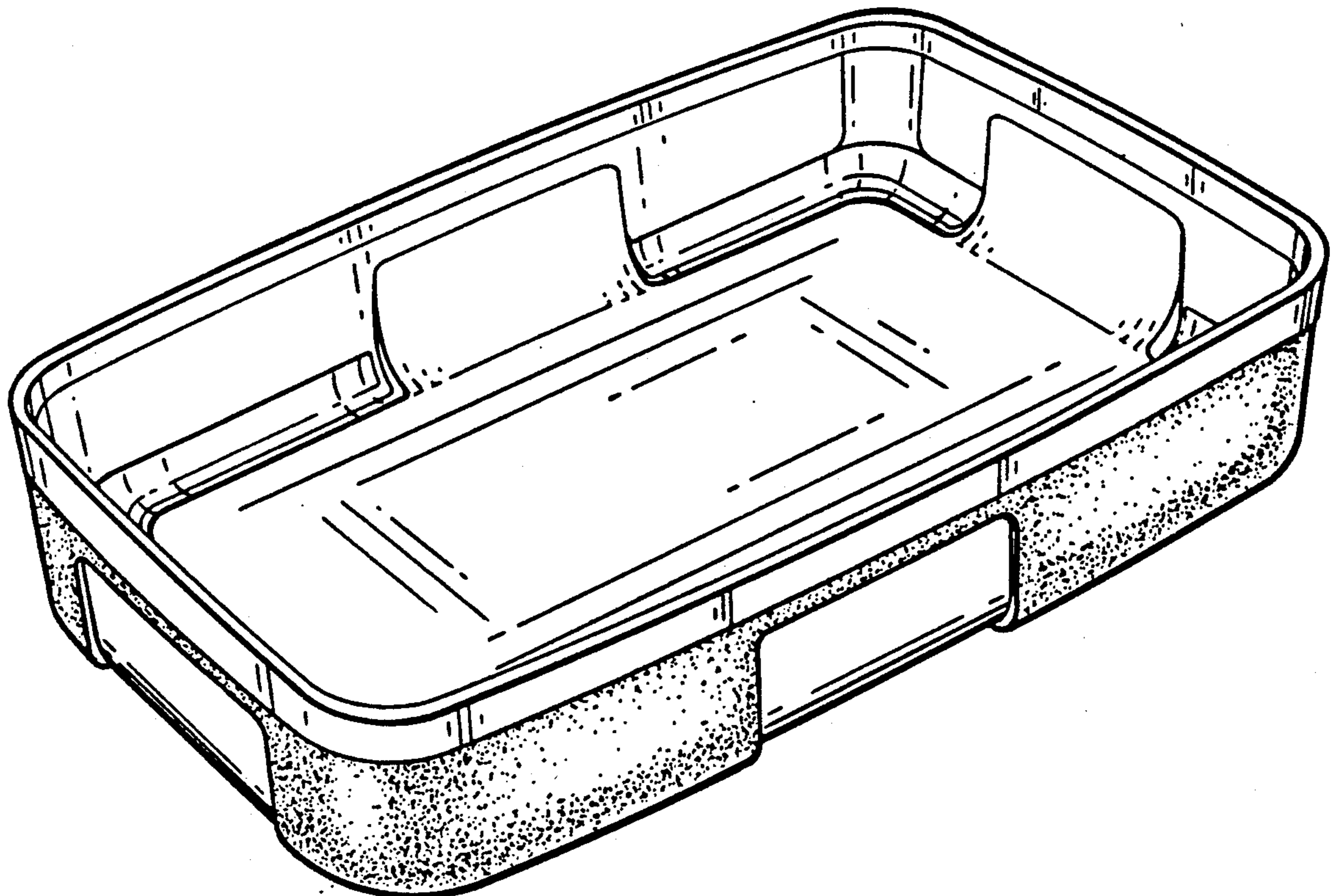
Primary Examiner—Bernard Ansher
Assistant Examiner—Prabhakar Deshmukh
Attorney, Agent, or Firm—John A. Doninger

[57] CLAIM

The ornamental design for a food container or the like, as shown.

DESCRIPTION

FIG. 1 is a top perspective view of a first embodiment of a food container or the like showing my new design; FIG. 2 is a top plan view thereof; FIG. 3 is a bottom plan view thereof; FIG. 4 is a front elevation thereof, the rear elevation being a mirror image thereof; FIG. 5 is a left side elevation thereof, the right side elevation being a mirror image thereof; FIG. 6 is a sectional elevation taken along line 6—6 of FIG. 2; FIG. 7 is a sectional elevation taken along line 7—7 of FIG. 2; FIG. 8 is a perspective view of a modified form of FIG. 1; FIG. 9 is a top plan view of FIG. 8; FIG. 10 is a bottom plan view of FIG. 8; FIG. 11 is a front elevation of FIG. 8, the rear side elevation being a mirror image; FIG. 12 is a left side elevation of FIG. 8, the right side elevation being a mirror image; FIG. 13 is a sectional elevation taken along line 13—13 of FIG. 9; FIG. 14 is a sectional elevation taken along line 14—14 of FIG. 9;



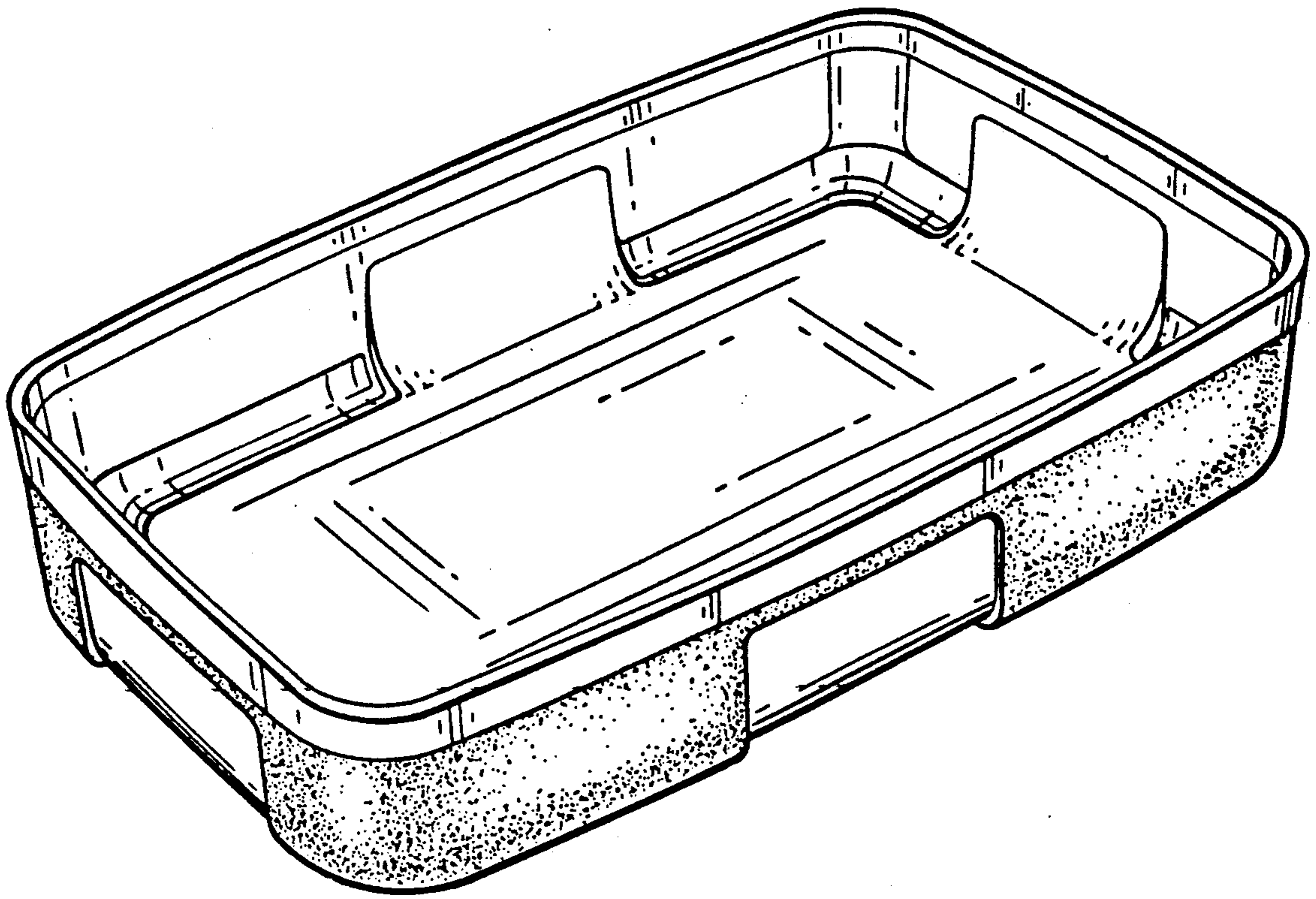


FIG. 1

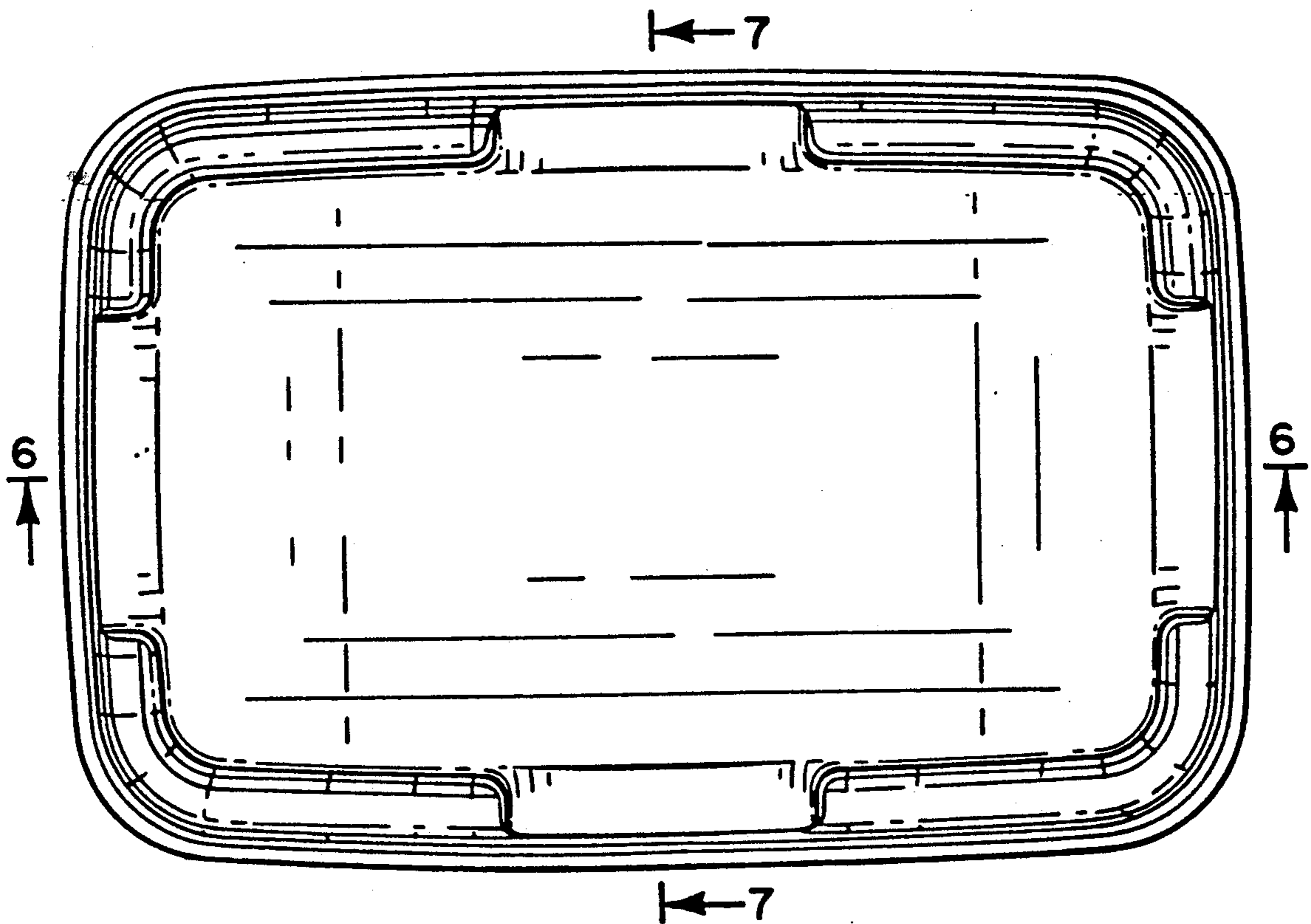


FIG. 2

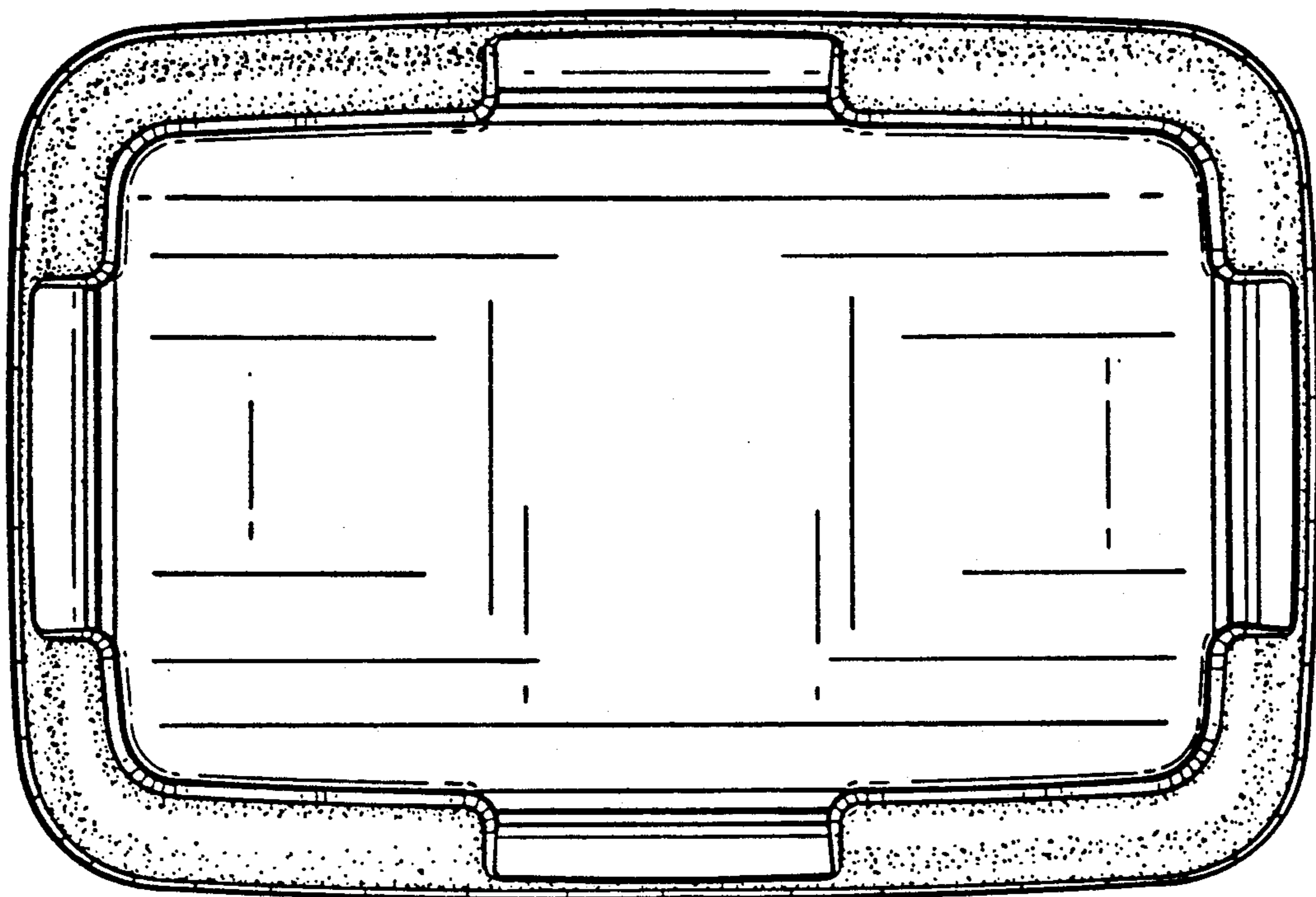


FIG. 3

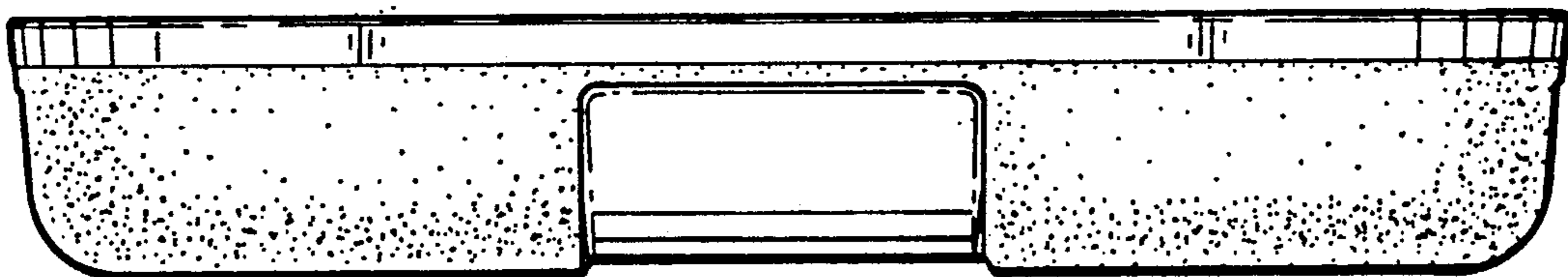


FIG. 4

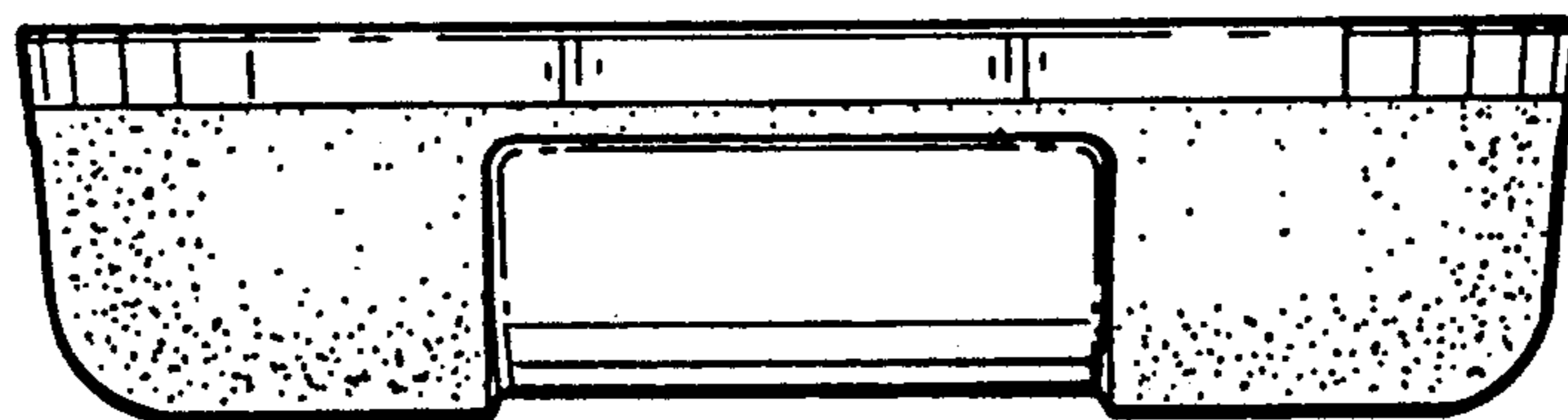


FIG. 5

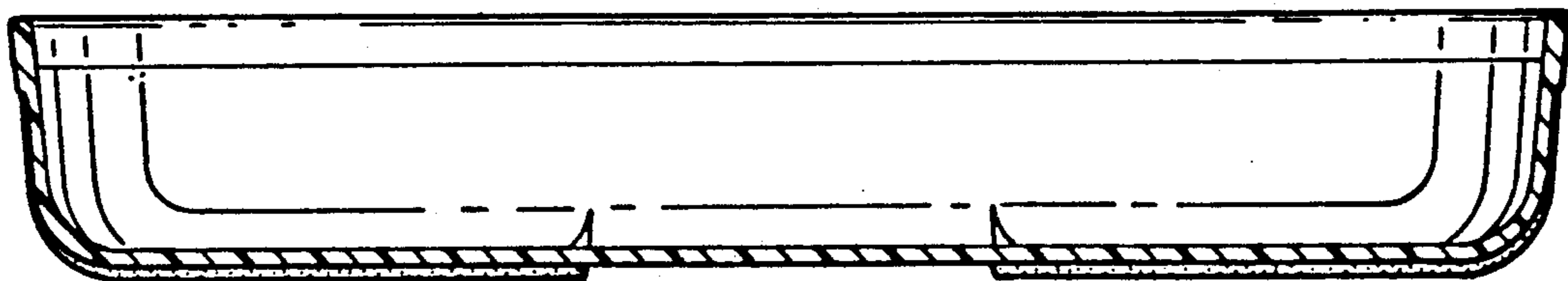


FIG. 6

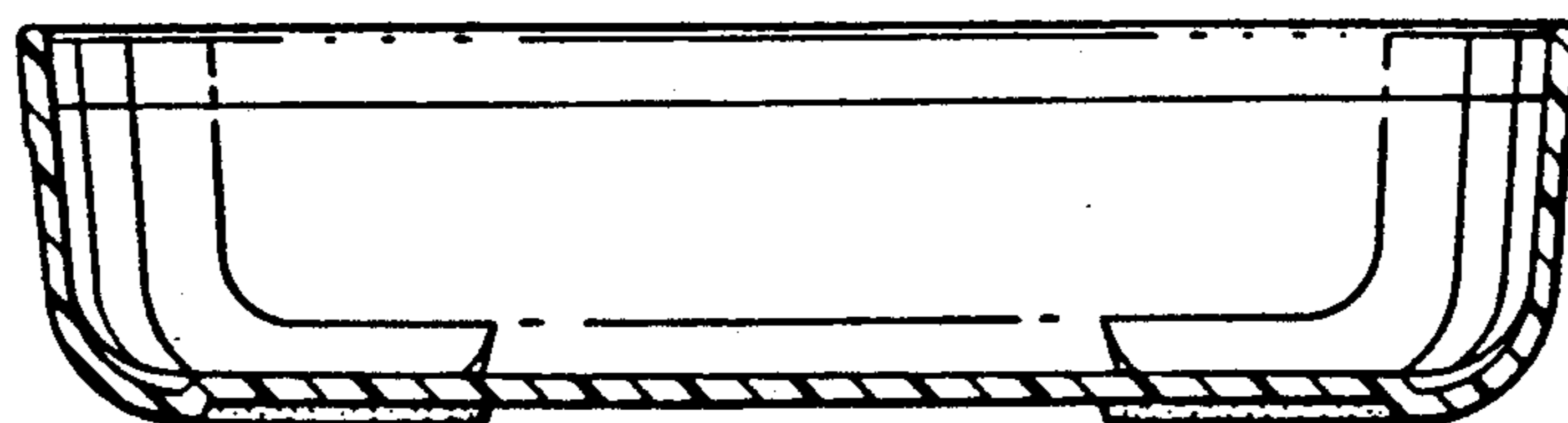


FIG. 7

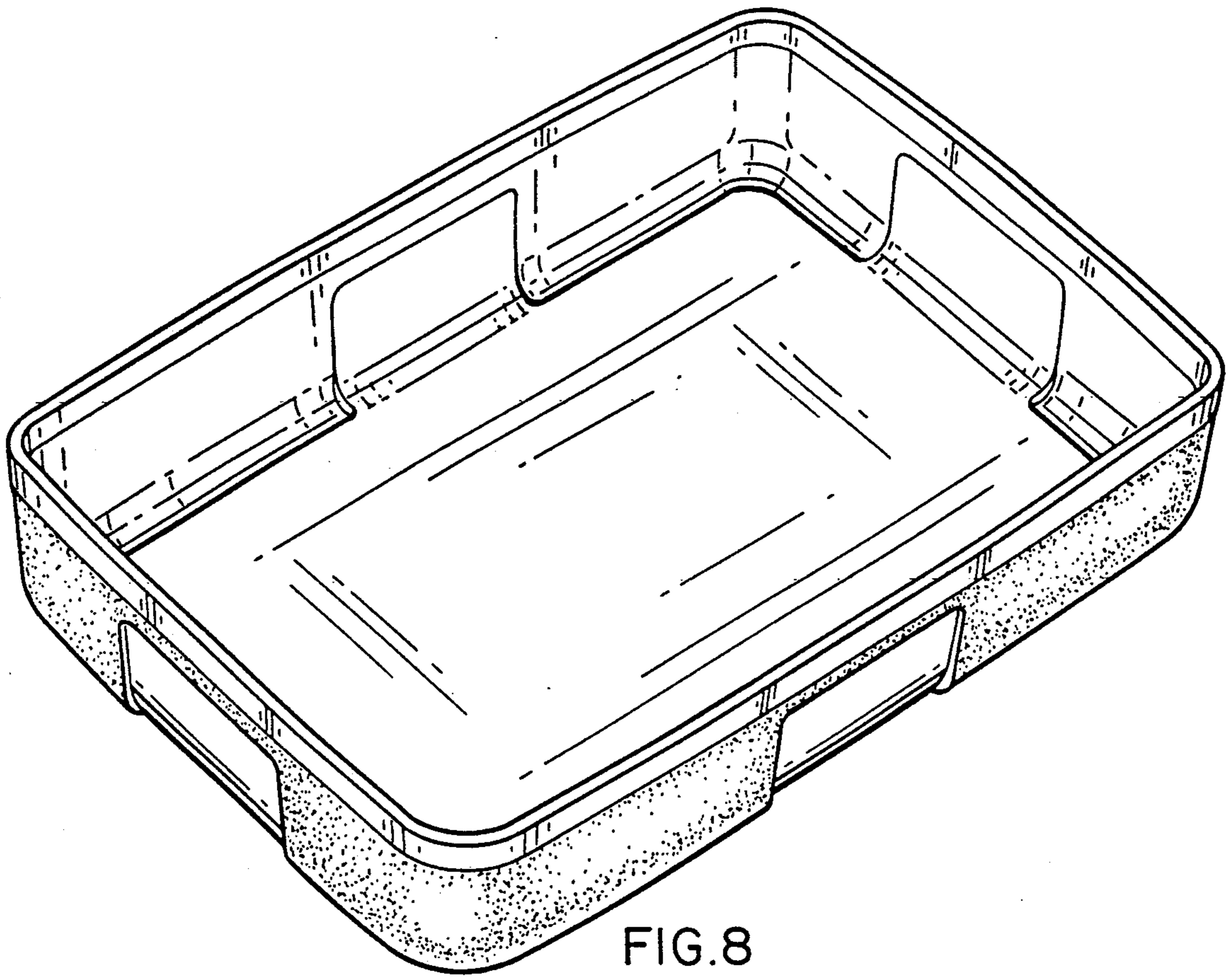
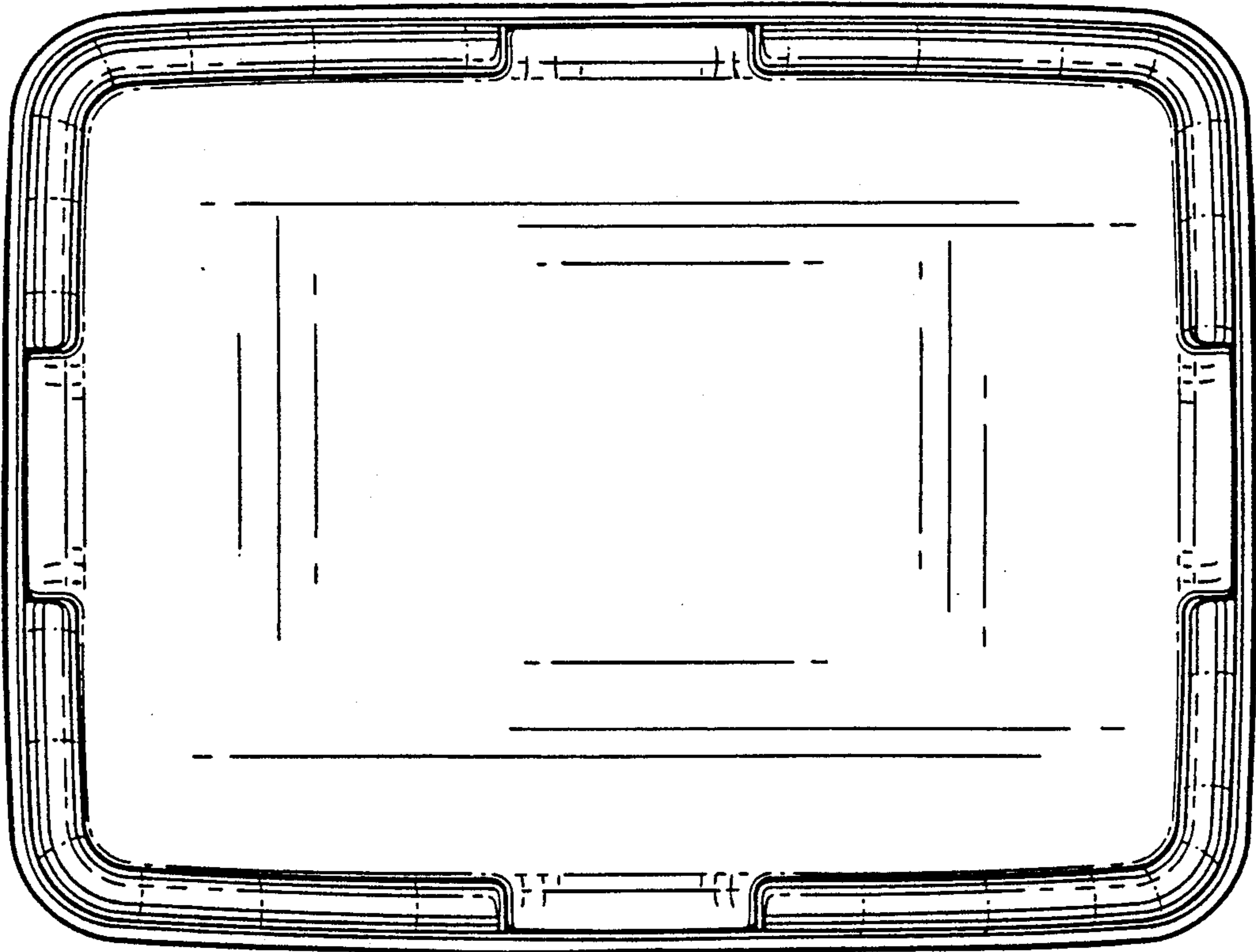


FIG. 8

13 →

14 →



13 →

14 →

FIG. 9

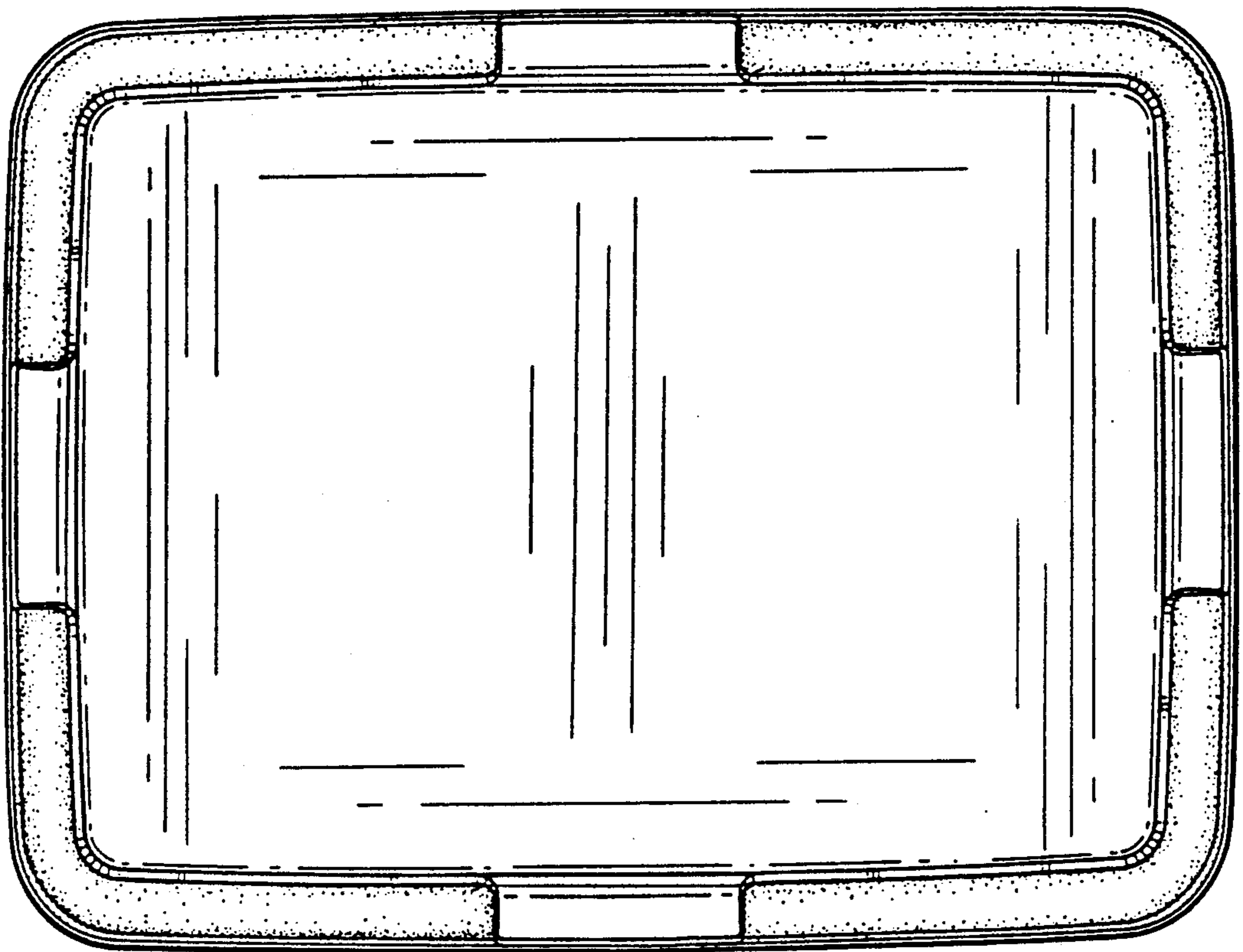


FIG. 10

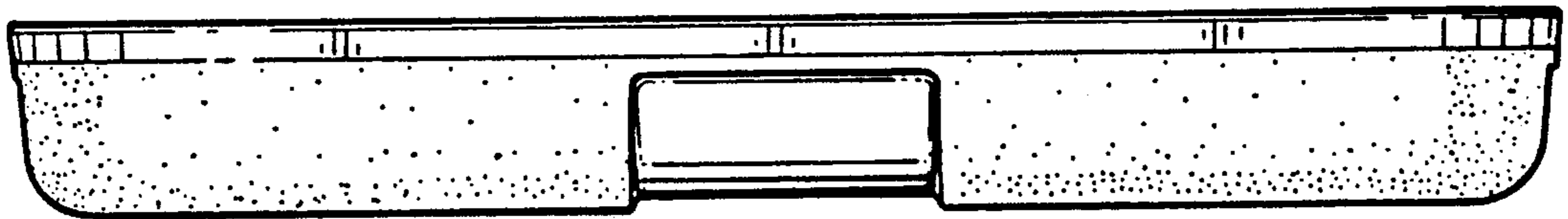


FIG. 11

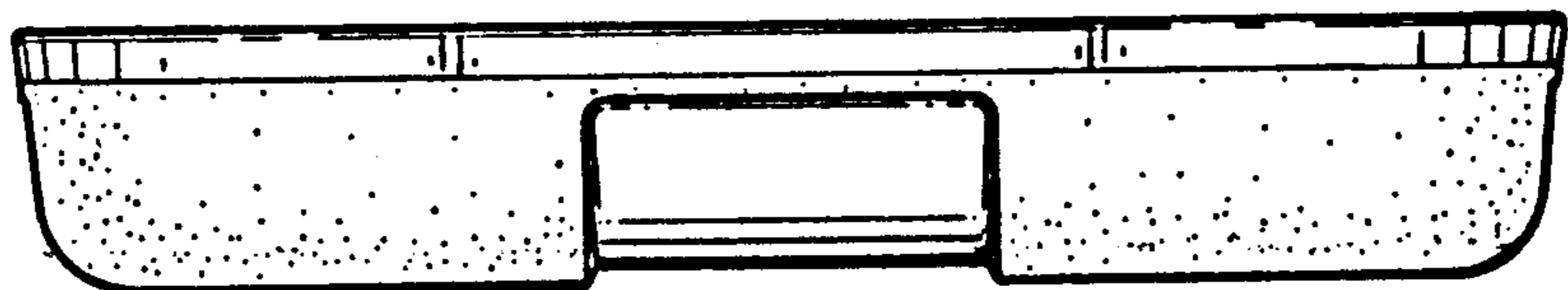


FIG. 12

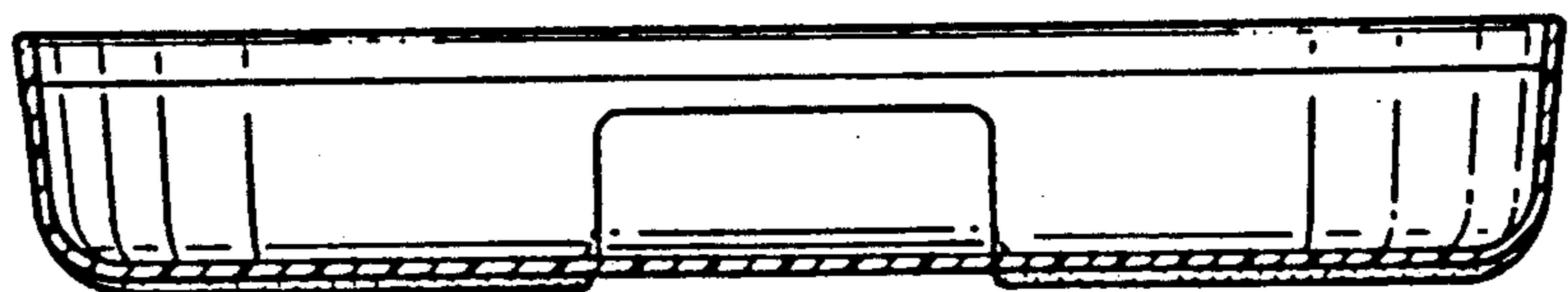


FIG. 13

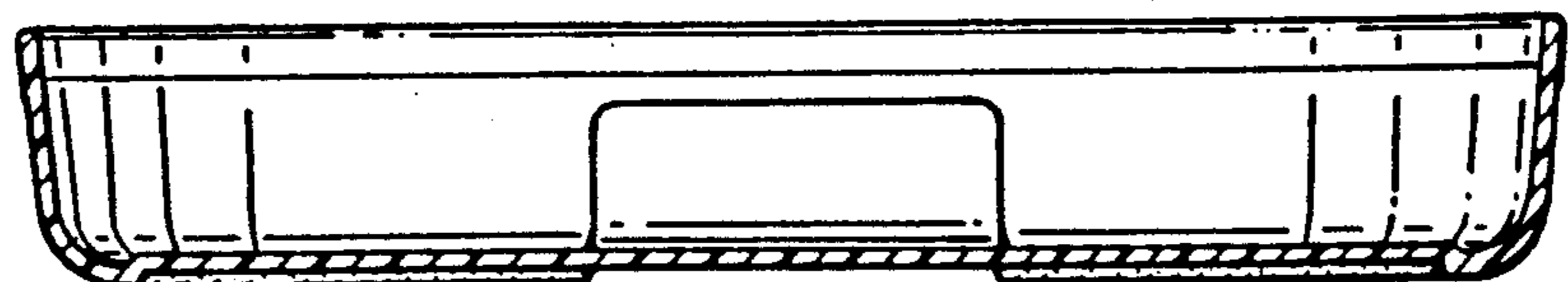


FIG. 14