

[54] AIRFEED PECK DRILL

[75] Inventors: John F. Stewart; Joseph F. Carter; James A. Maass; Russell D. Richardson, all of Lexington, S.C.

[73] Assignee: Cooper Industries, Inc., Houston, Tex.

[\*\*] Term: 14 Years

[21] Appl. No.: 116,123

[22] Filed: Oct. 30, 1987

[52] U.S. Cl. .... D8/68

[58] Field of Search ..... D8/61, 67, 68, 69, 70; 81/57.14, 57.11, 57.13, 464, DIG. 12; 173/170; 408/17, 138, 141, 702

[56] References Cited

U.S. PATENT DOCUMENTS

D. 201,153 5/1965 Douglas ..... D8/68  
3,357,275 12/1967 Green, Jr. et al. .... D8/68

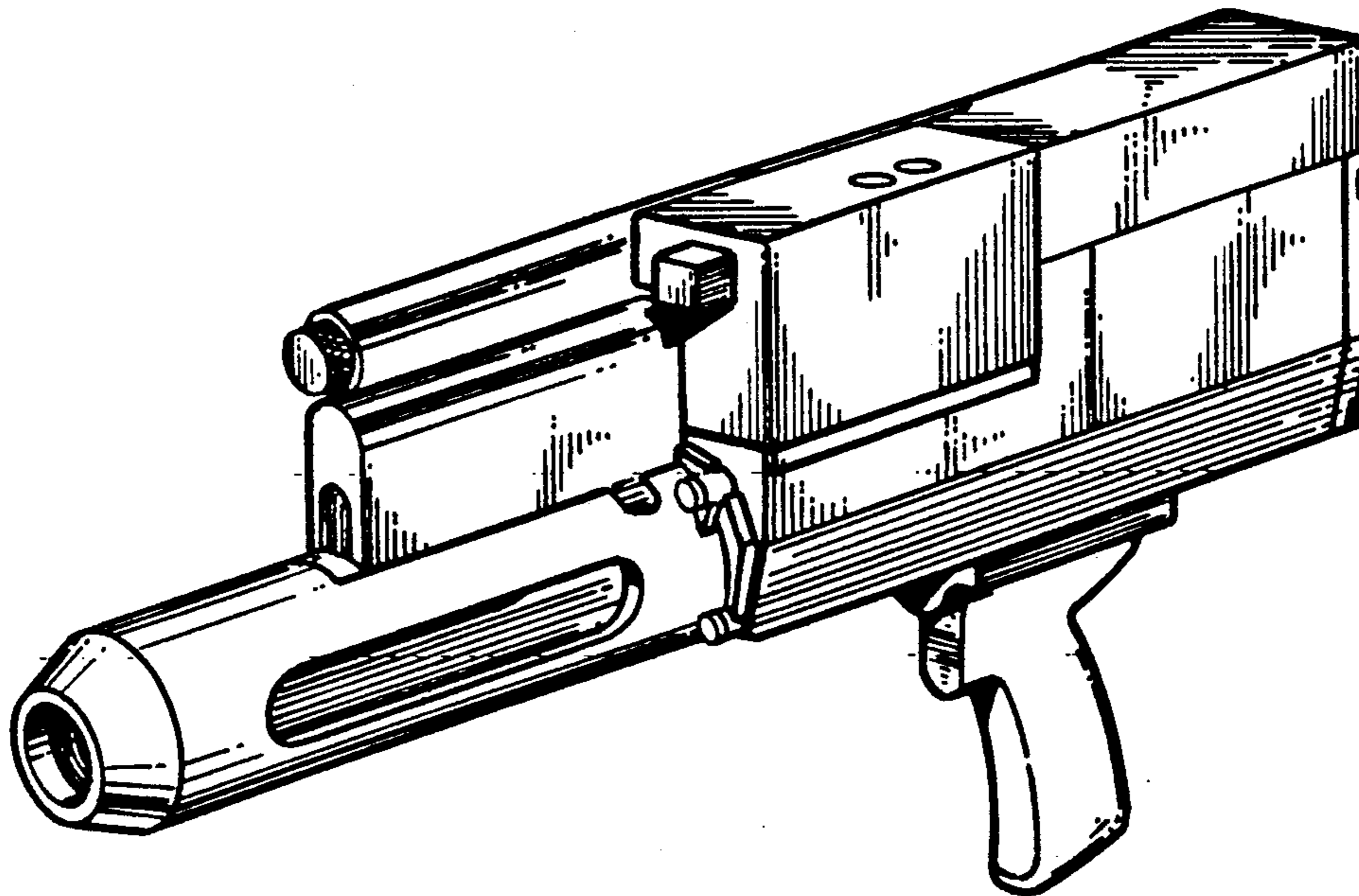
Primary Examiner—Nelson C. Holtje  
Assistant Examiner—Gary D. Watson  
Attorney, Agent, or Firm—Donald J. Verplancken;  
David A. Rose; Ned L. Conley

[57] CLAIM

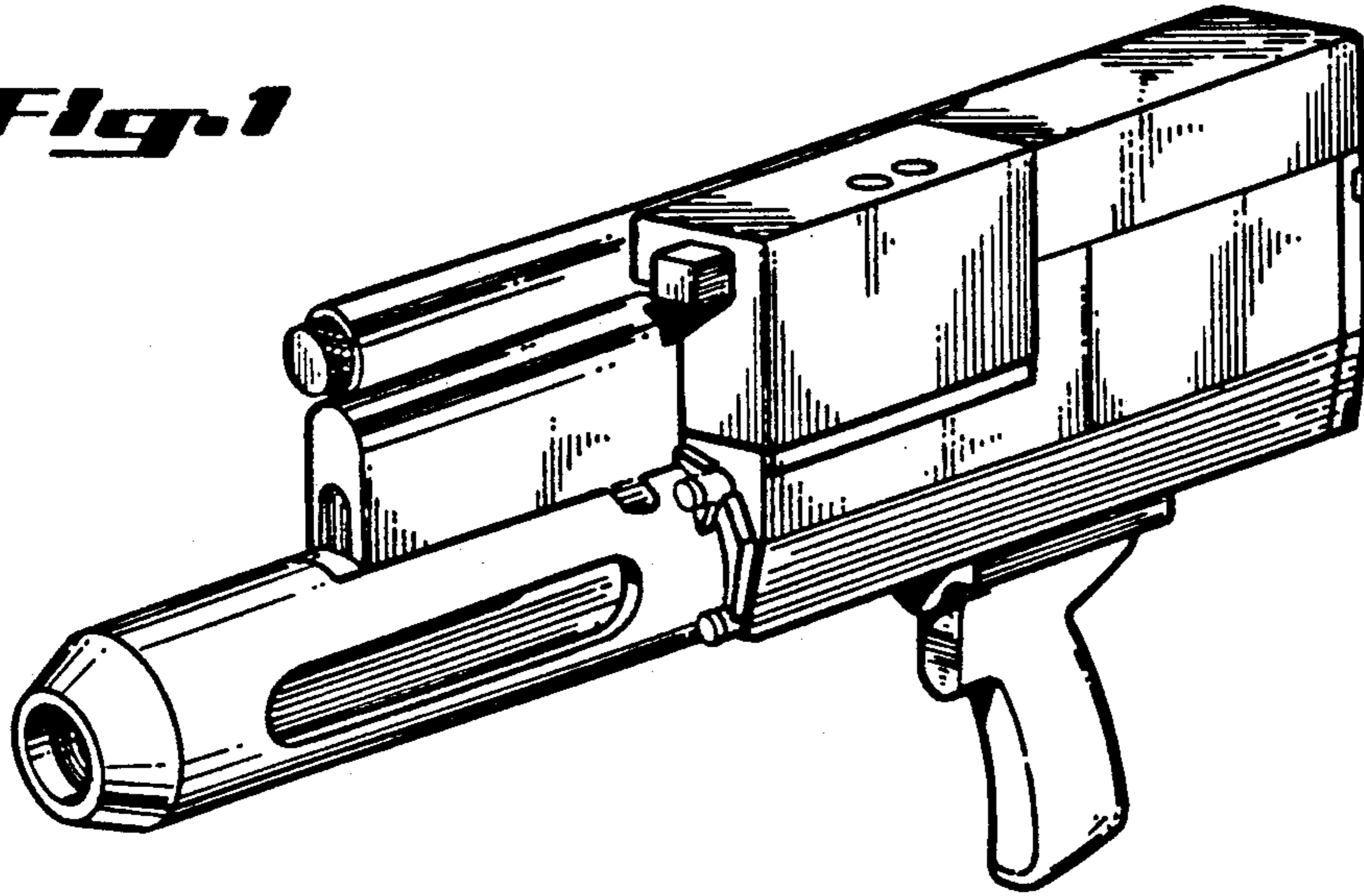
The ornamental design for an airfeed peck drill, as shown and described.

DESCRIPTION

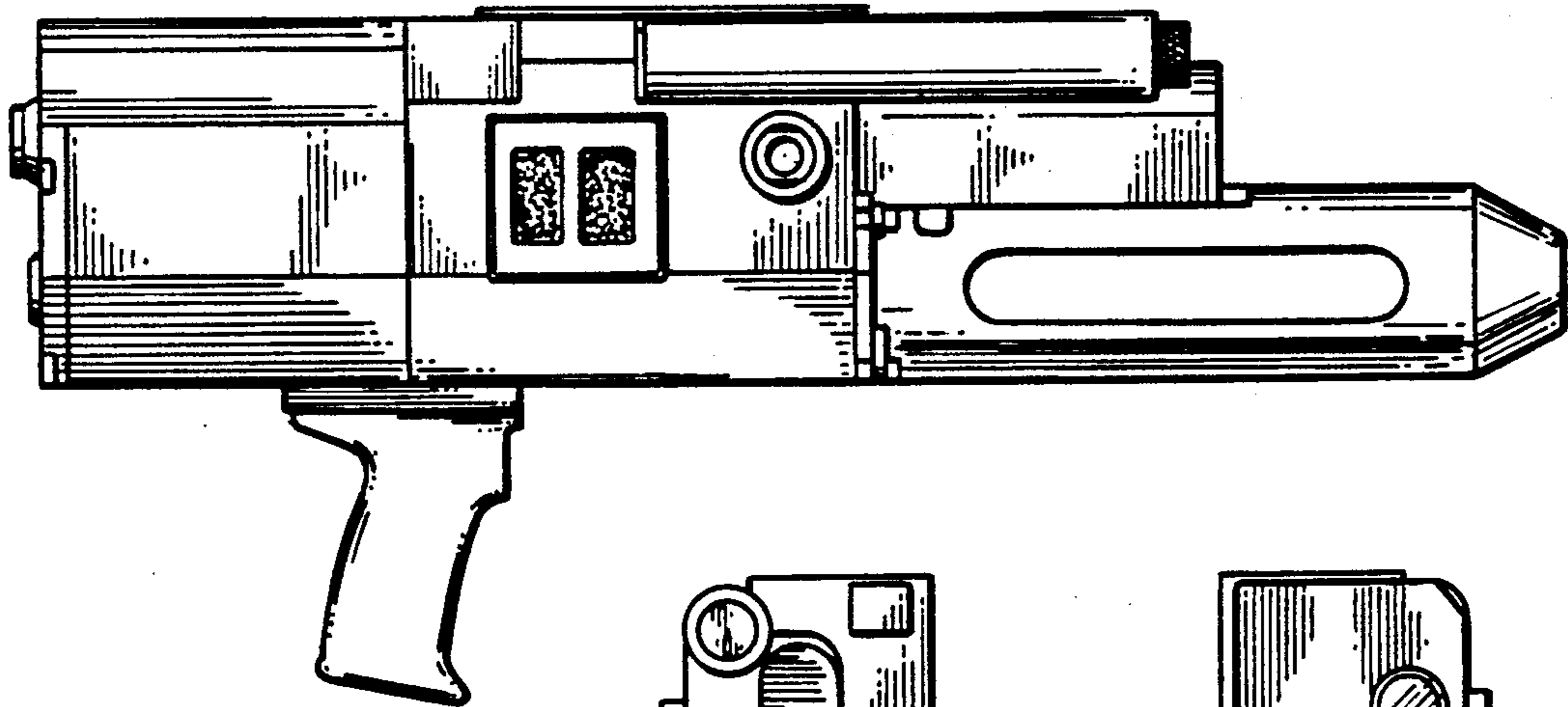
FIG. 1 is a top, front and right side perspective view of an air feed peck drill showing our new design; FIG. 2 is a left side elevational view; FIG. 3 is a front elevational view; FIG. 4 is a rear elevational view; FIG. 5 is a top plan view; and FIG. 6 is a bottom plan view thereof.



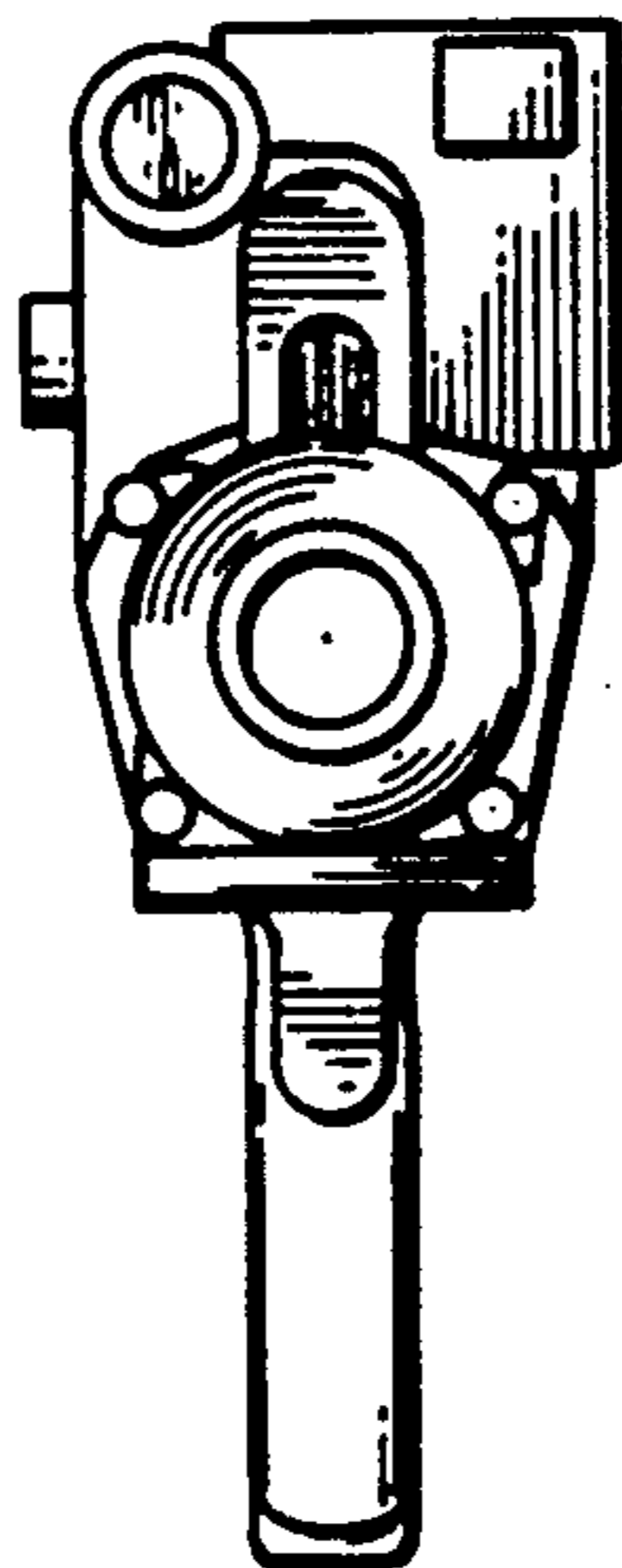
**Fig. 1**



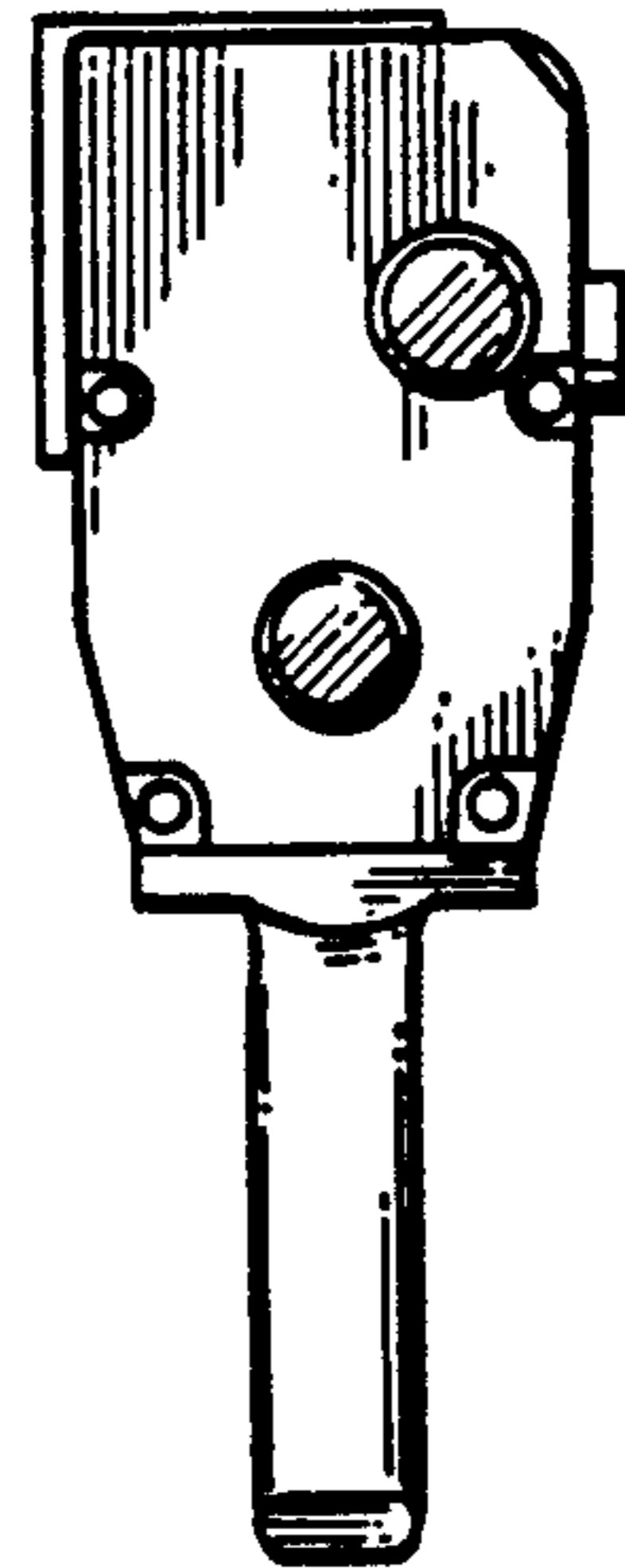
**Fig. 2**



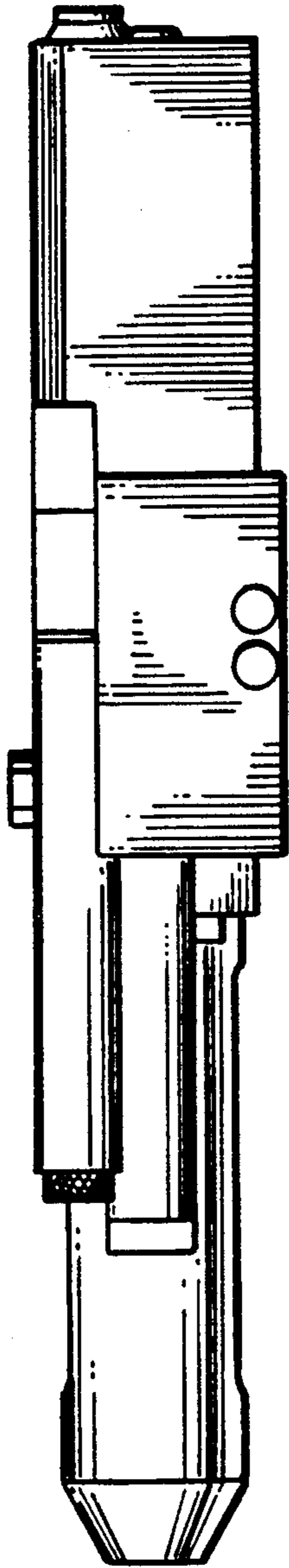
**Fig. 3**



**Fig. 4**



**FIG. 5**



**FIG. 6**

