

[54] PORTABLE BAND SAW

[75] Inventors: Fusao Fushiya; Katsuyasu Ito; Yoshinori Shibata, all of Anjo, Japan

[73] Assignee: Makita Electric Works, Ltd., Anjo, Japan

[**] Term: 14 Years

[21] Appl. No.: 193,644

[22] Filed: May 13, 1988

[30] Foreign Application Priority Data

Nov. 18, 1987 [JP] Japan 62-47216

[52] U.S. Cl. D8/64

[58] Field of Search D8/64; D15/138; 30/166.3, 274, 380; 83/788, 816, 818, 824

[56] References Cited

U.S. PATENT DOCUMENTS

D. 156,282	11/1949	Schepige	D8/64
D. 248,085	6/1978	Stelljes et al.	.	
D. 306,126	2/1990	Arehart et al.	D8/64
3,829,970	8/1974	Anderson	30/380
4,001,937	1/1977	Stelljes et al.	30/380

OTHER PUBLICATIONS

Ridgid, Catalog/Ad., 10/1972, front, saw pictured.
Millers Falls, 11/1975, p. 41, saw pictured, on file in *Millers Falls*.

Milwaukee, 10/1986, p. 61, saw pictured, on file in *Milwaukee*.

Primary Examiner—Nelson C. Holtje

Assistant Examiner—Gary D. Watson

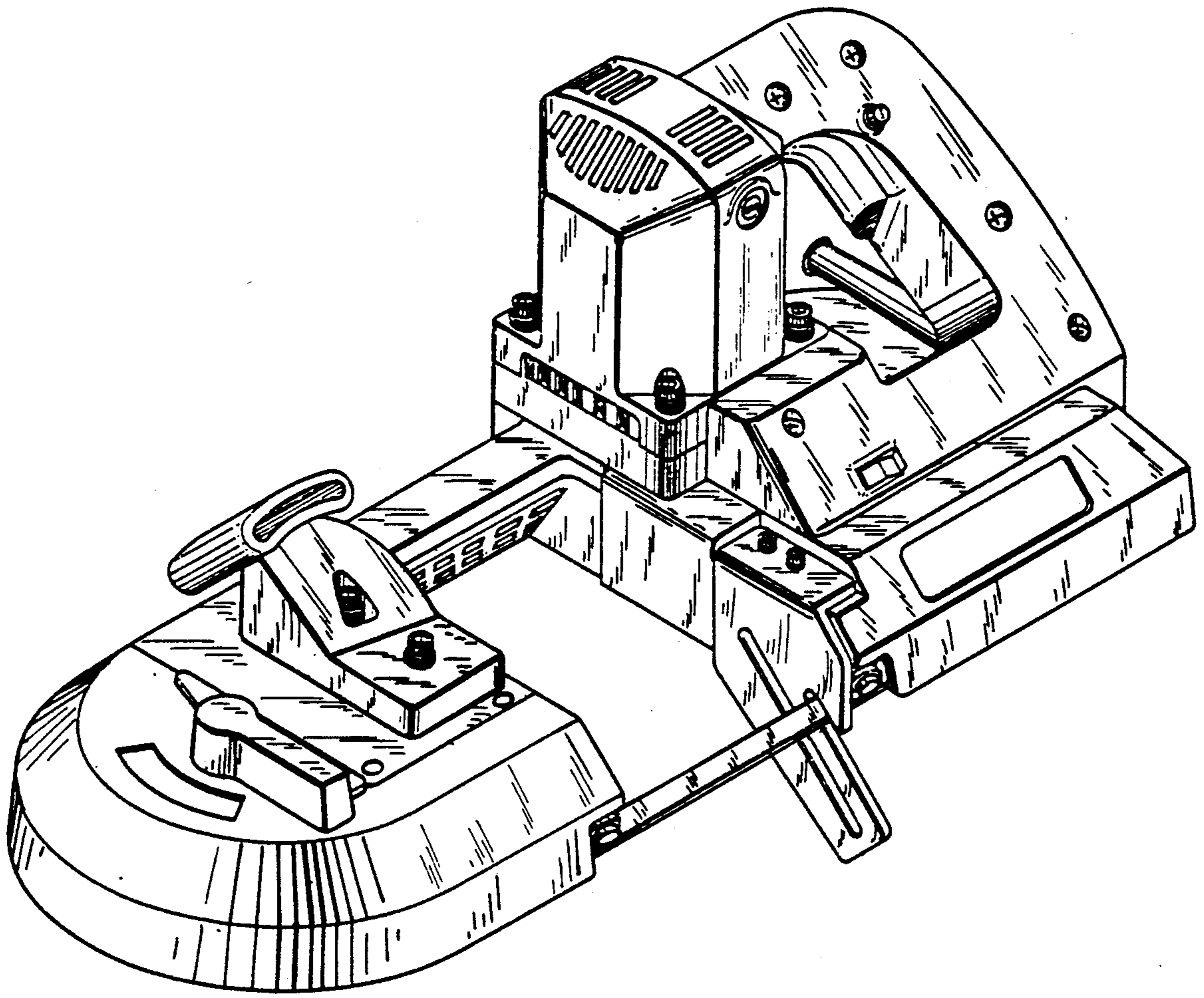
Attorney, Agent, or Firm—Dennison, Meserole, Pollack & Scheiner

[57] CLAIM

The ornamental design for a portable band saw, as shown.

DESCRIPTION

FIG. 1 is a top left front perspective view of a portable band saw showing our new design; FIG. 2 is a front elevational view; FIG. 3 is a rear elevational view; FIG. 4 is a left side elevational view; FIG. 5 is a right side elevational view; FIG. 6 is a top plan view; and FIG. 7 is a bottom plan view thereof.



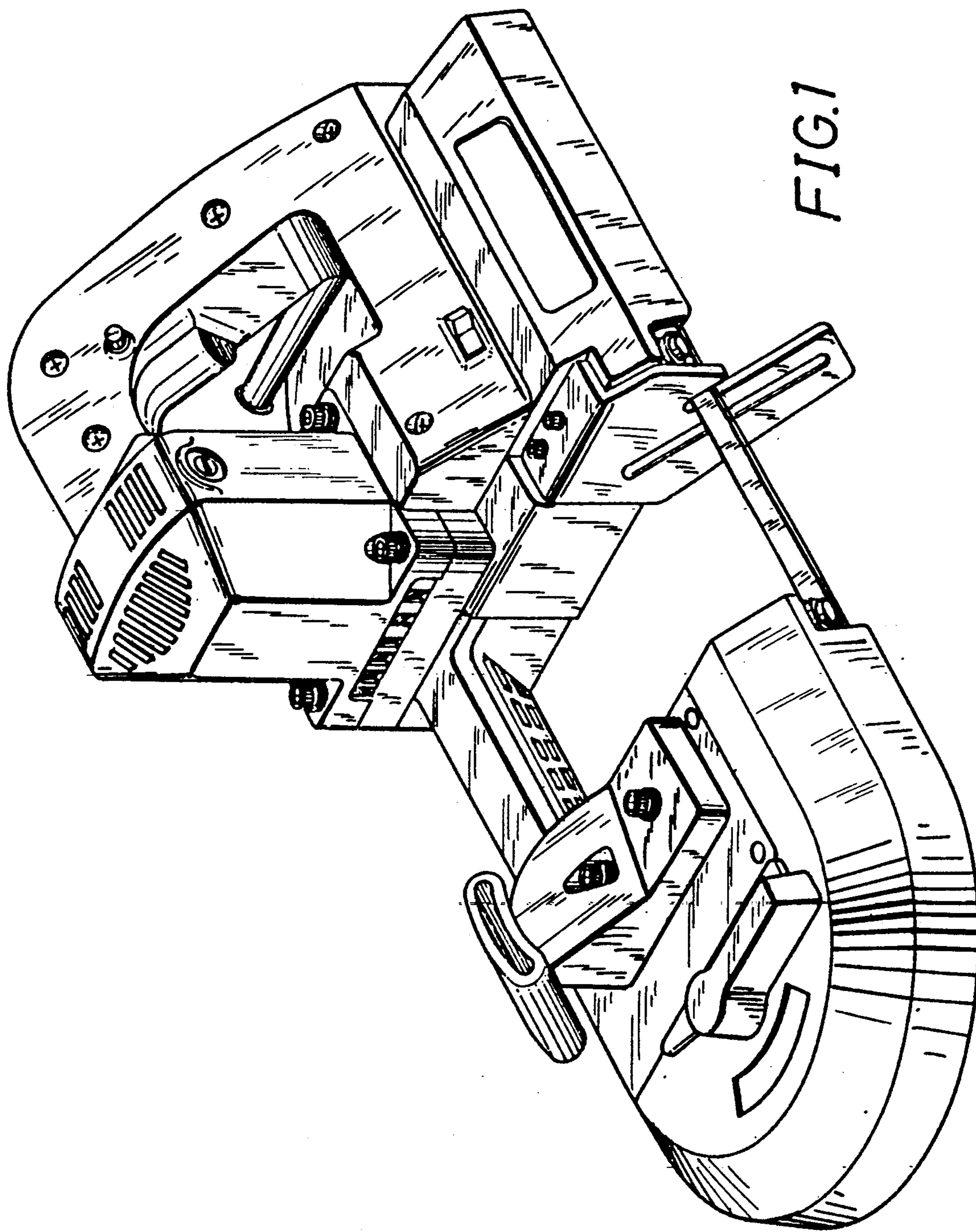


FIG. 1

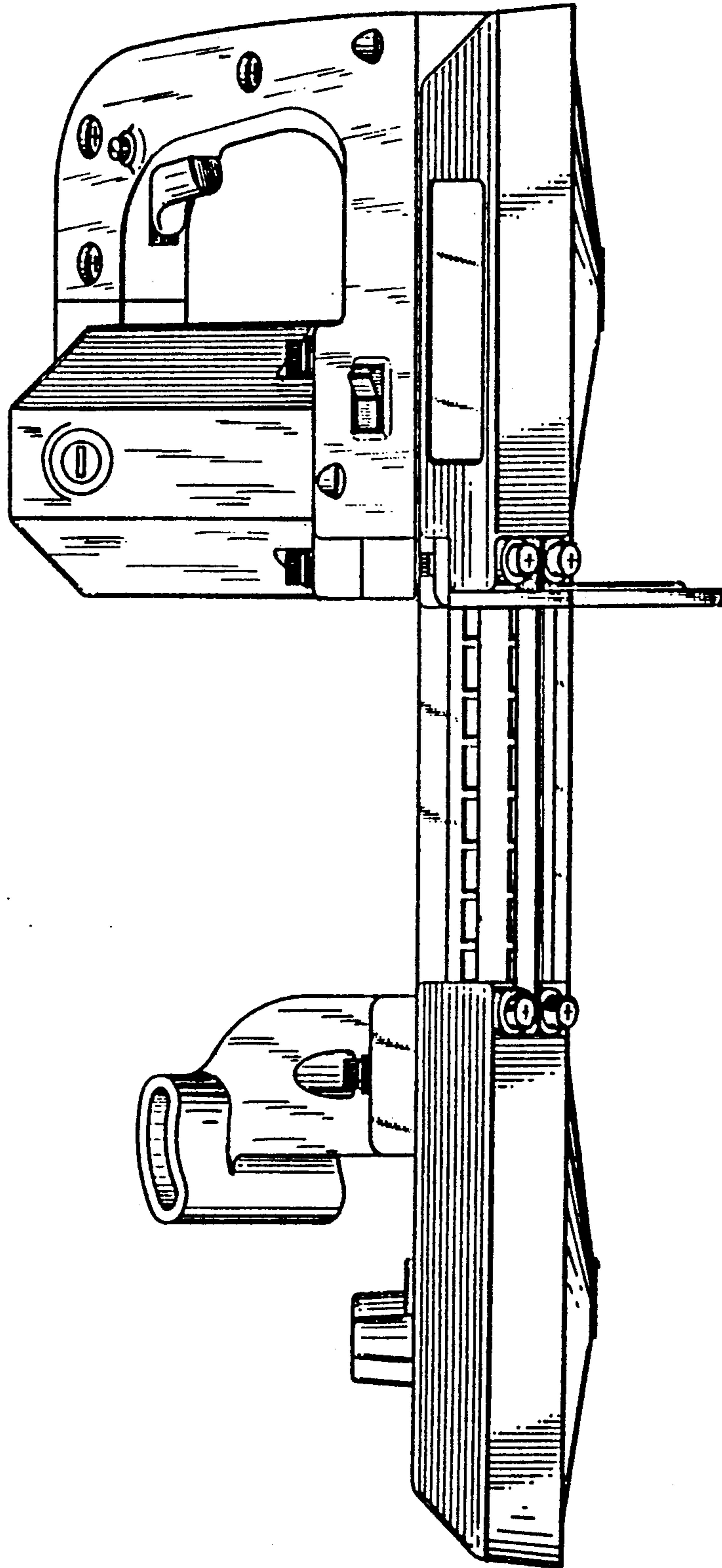


FIG. 2

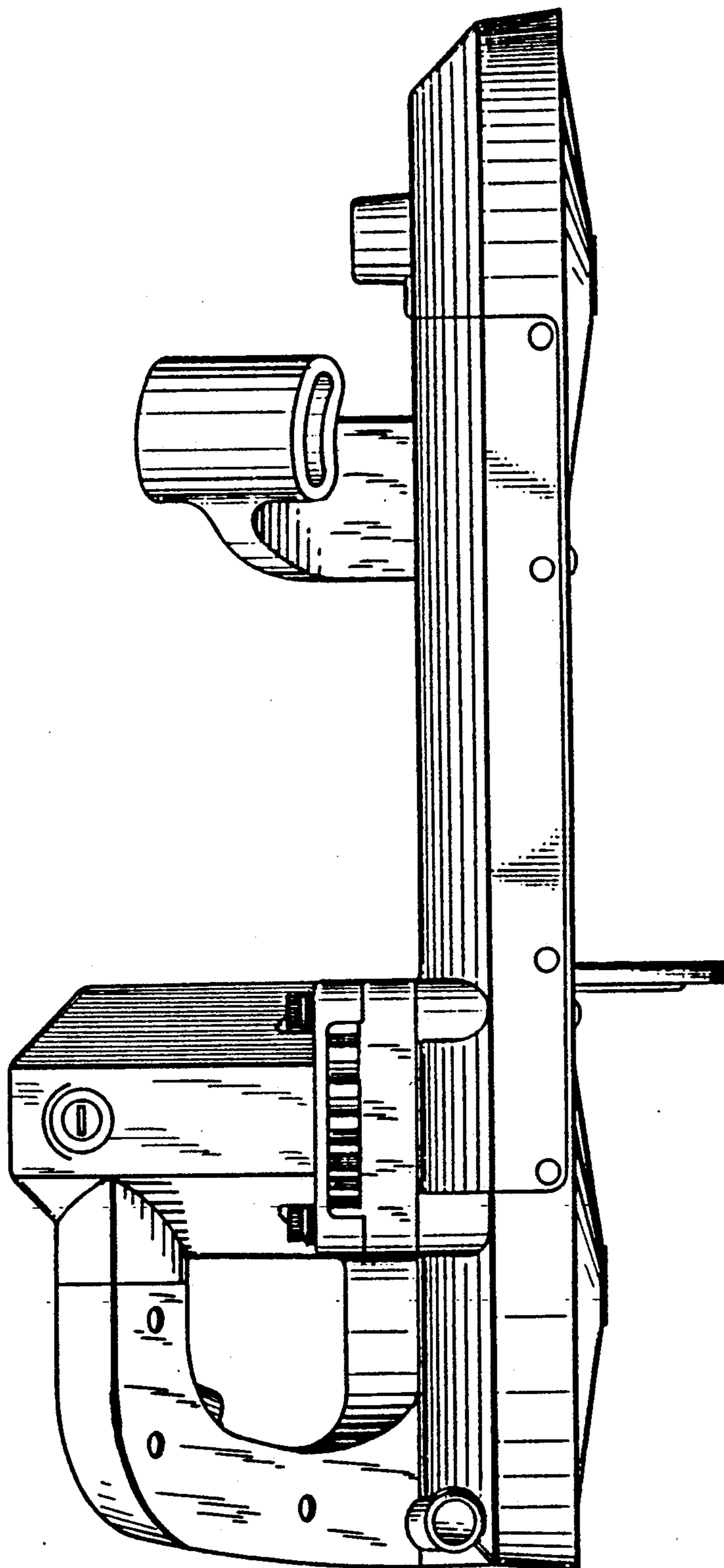


FIG.3

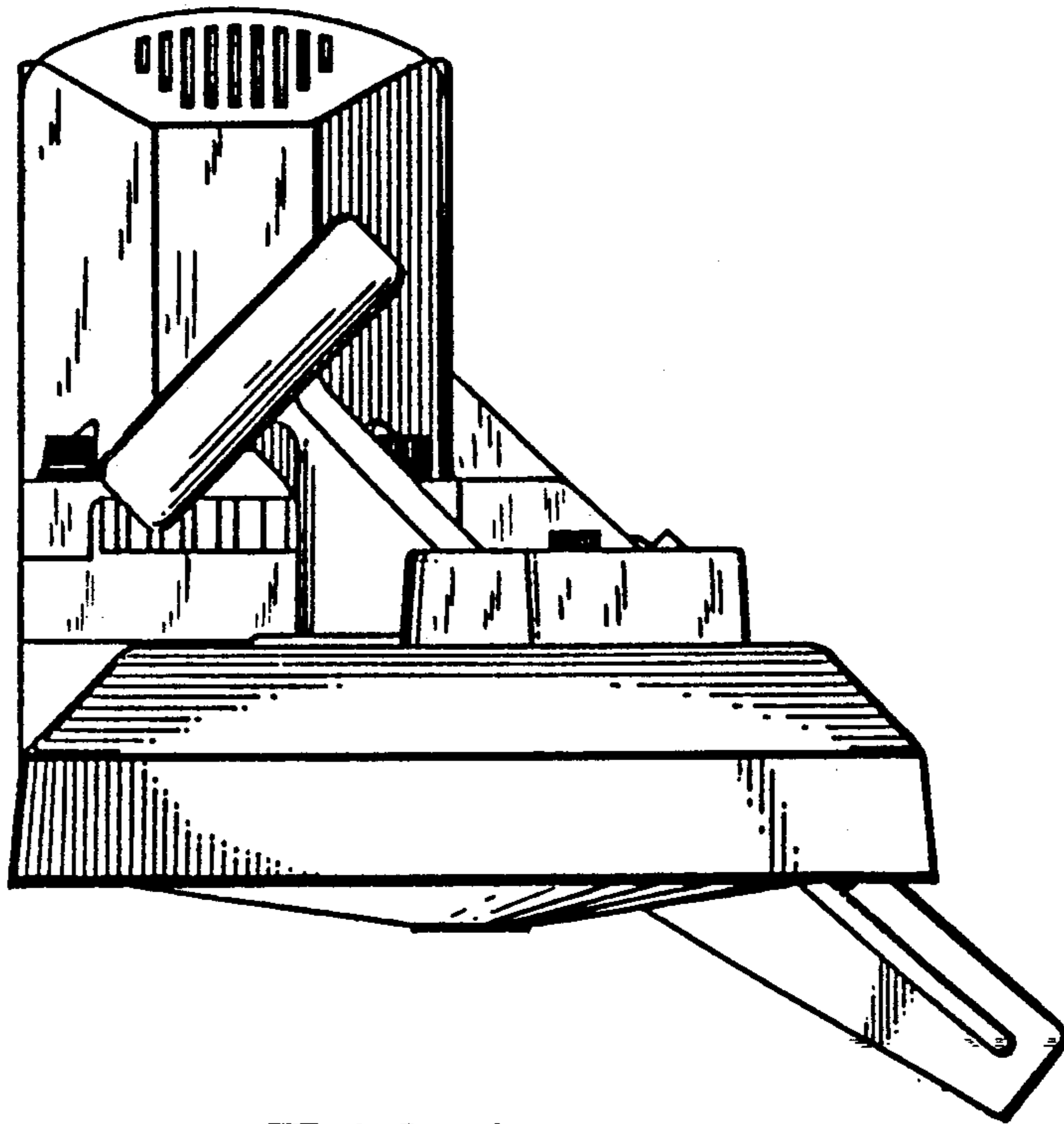


FIG. 4

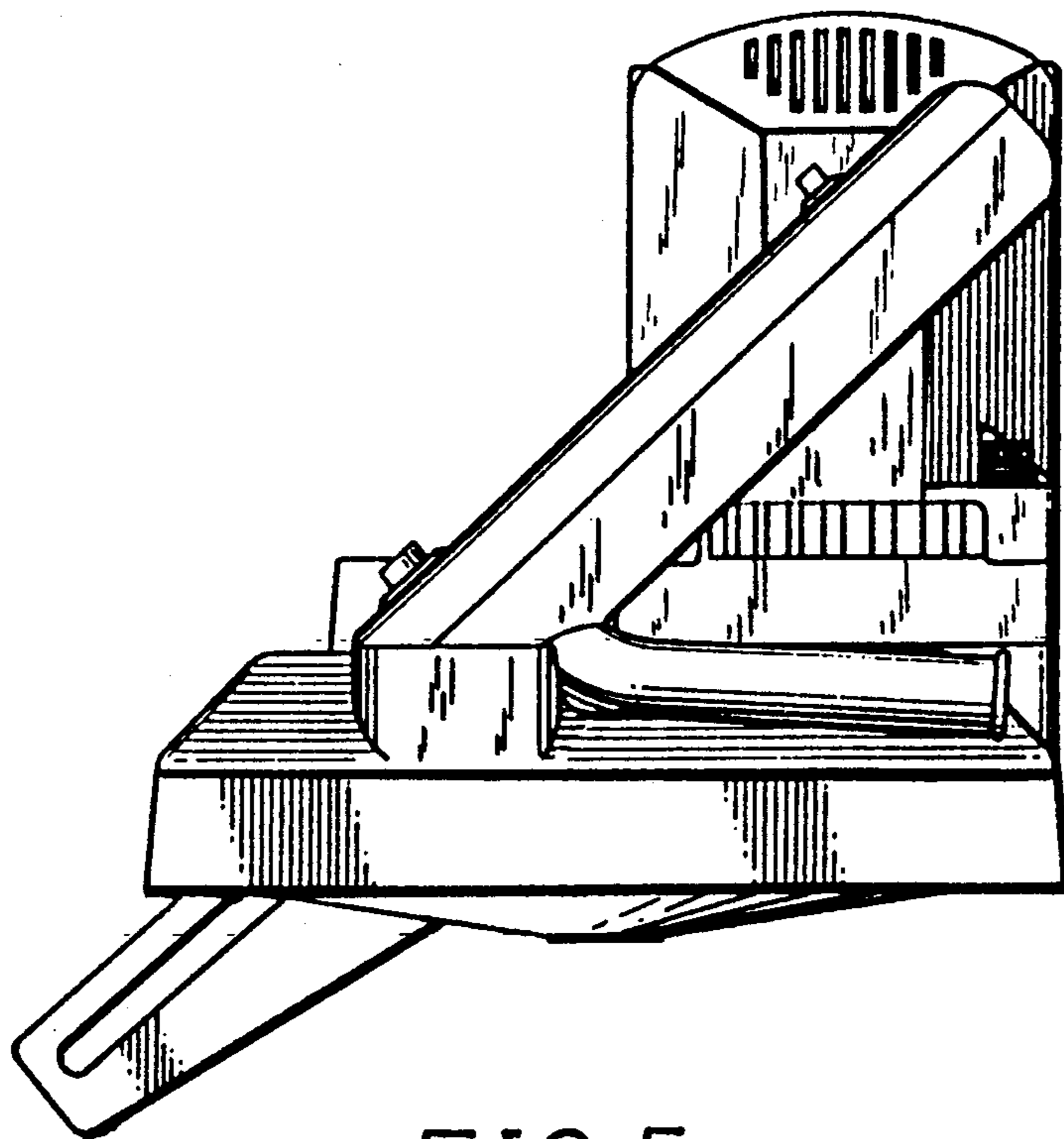


FIG. 5

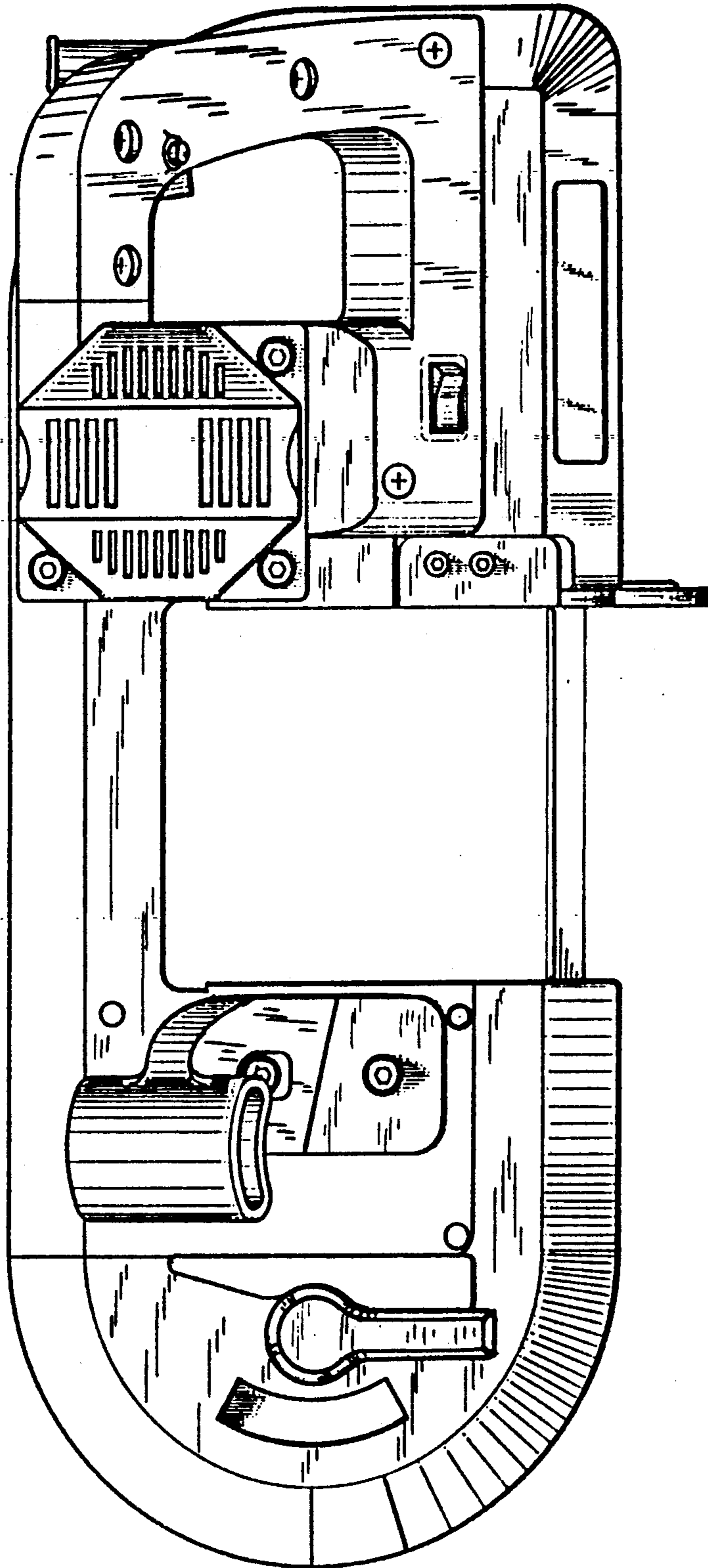


FIG. 6

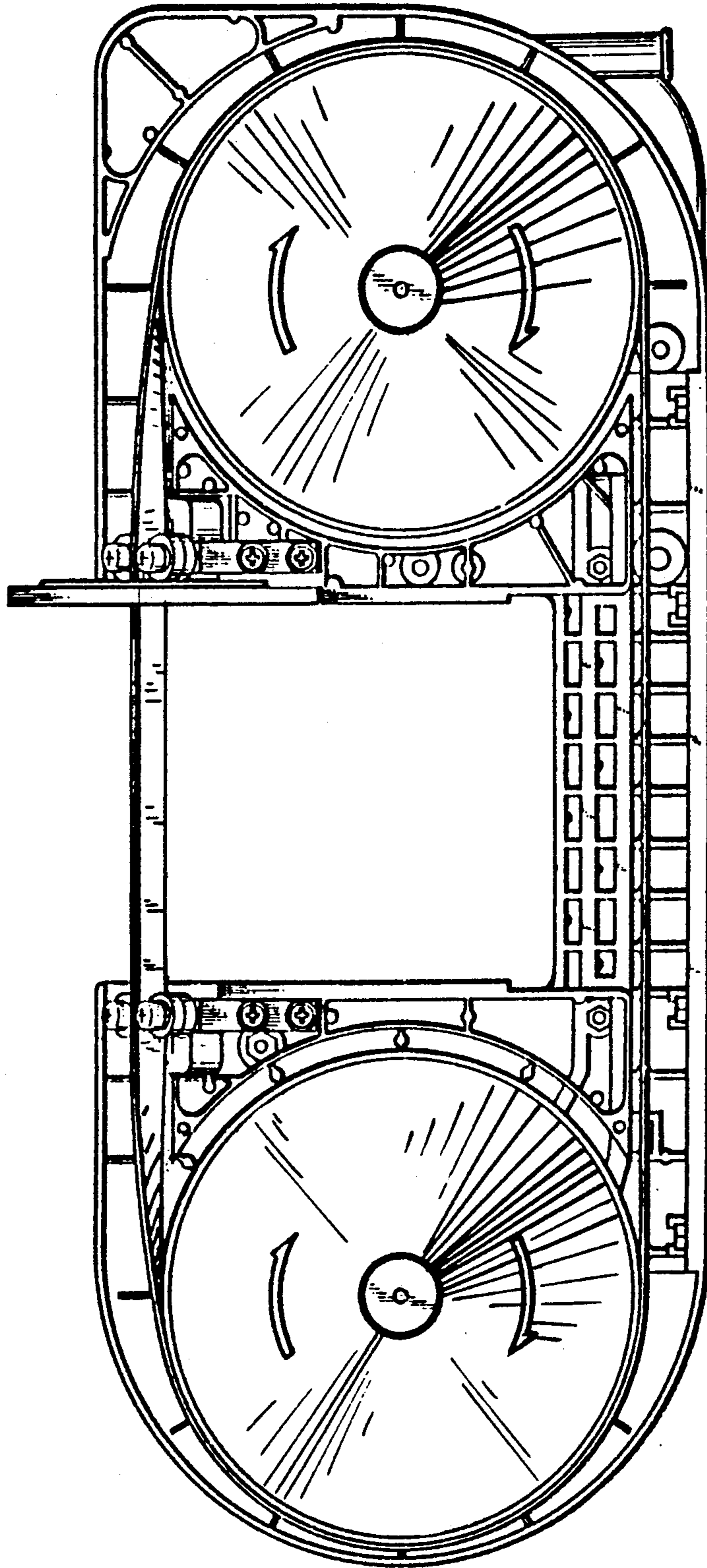


FIG. 7