

[54] **FOOT REST**

4,357,881 11/1982 DeLong 211/88 X

[76] **Inventor: Dean Hyland, Jr., 156 Dorrance Ave., Buffalo, N.Y. 14218**

Primary Examiner—Bruce W. Dunkins
Assistant Examiner—Janice E. Seeger
Attorney, Agent, or Firm—Jerry T. Kearns

[**] **Term: 14 Years**

[21] **Appl. No.: 162,853**

[22] **Filed: Mar. 2, 1988**

[52] **U.S. Cl. D6/502**

[58] **Field of Search D6/501-503, D6/505, 491; 297/423, 438, 439; 211/87, 88**

[57] **CLAIM**

The ornamental design for a foot rest, as shown and described.

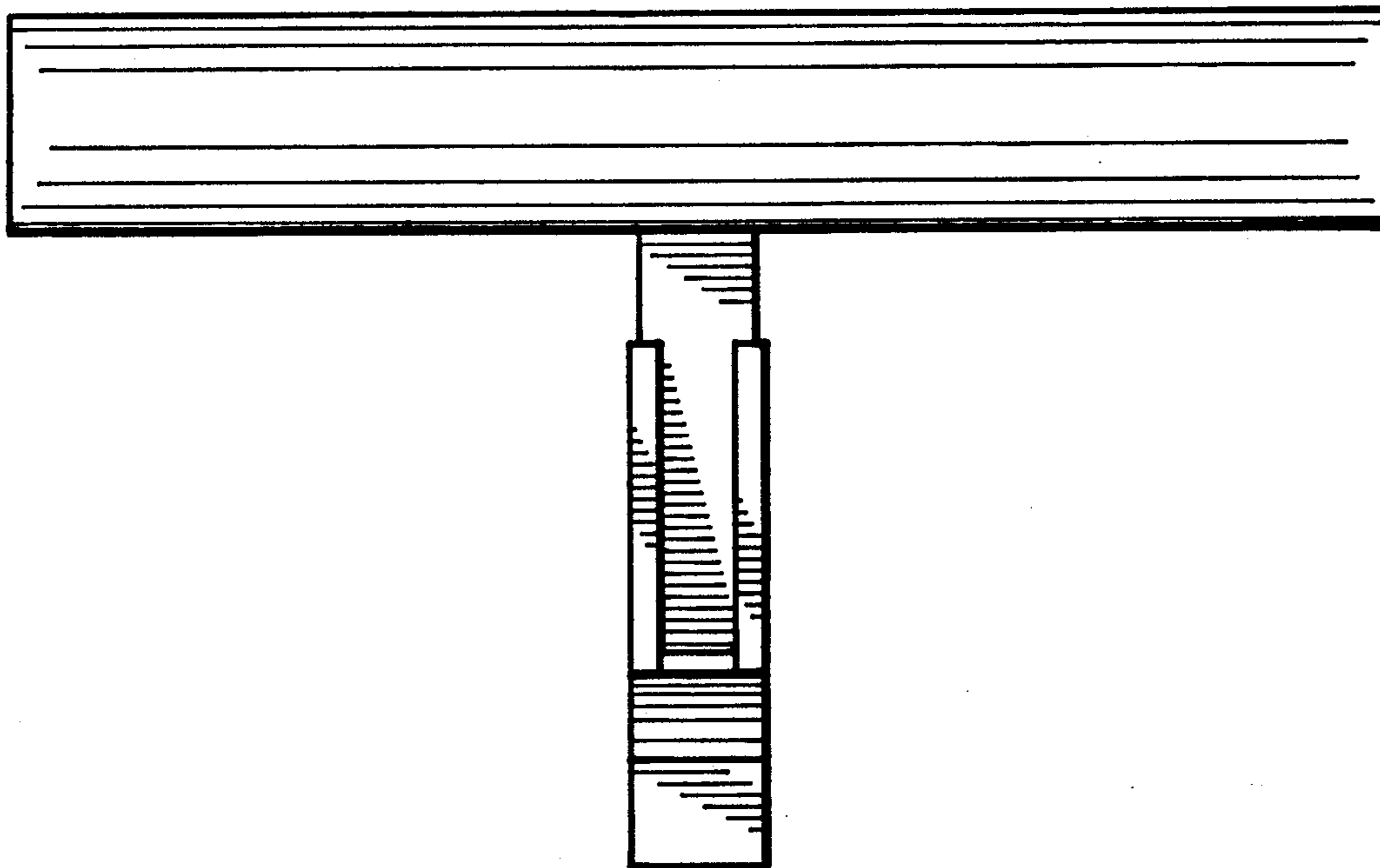
DESCRIPTION

FIG. 1 is a front elevational view of a foot rest showing my new design;
FIG. 2 is a rear elevational view thereof;
FIG. 3 is a left side elevational view thereof;
FIG. 4 is a right side elevational view thereof;
FIG. 5 is a top plan view thereof;
FIG. 6 is a bottom plan view thereof;
FIG. 7 is a top perspective view thereof; and,
FIG. 8 is a bottom perspective view thereof.

[56] **References Cited**

U.S. PATENT DOCUMENTS

D. 261,084	10/1981	Scott	D6/502
477,355	6/1892	Curtis et al.	211/88
1,974,213	9/1934	Gilbert	211/88
2,211,962	8/1940	Morris	211/88
2,299,127	10/1942	Cawood	297/438



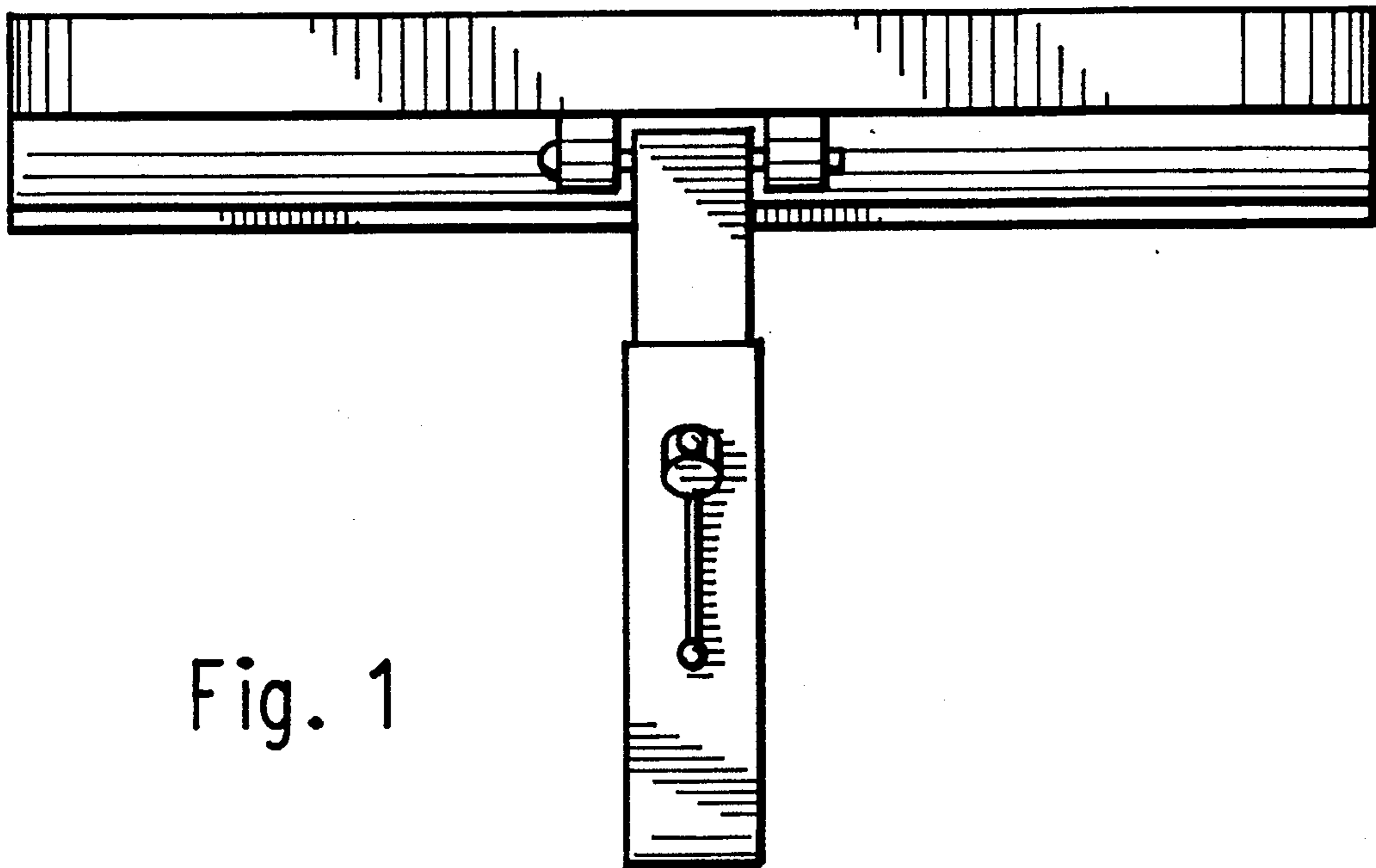


Fig. 1

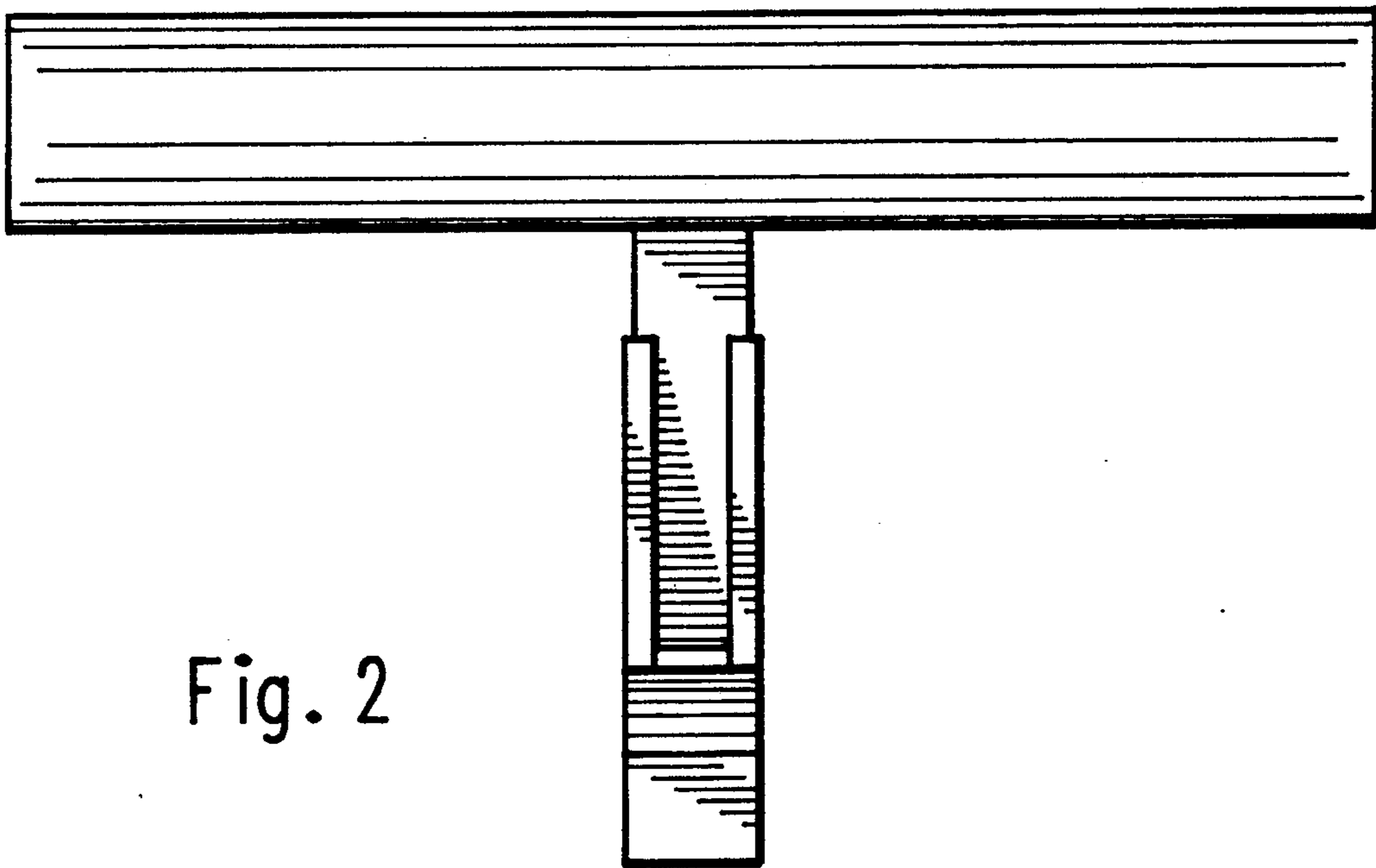


Fig. 2

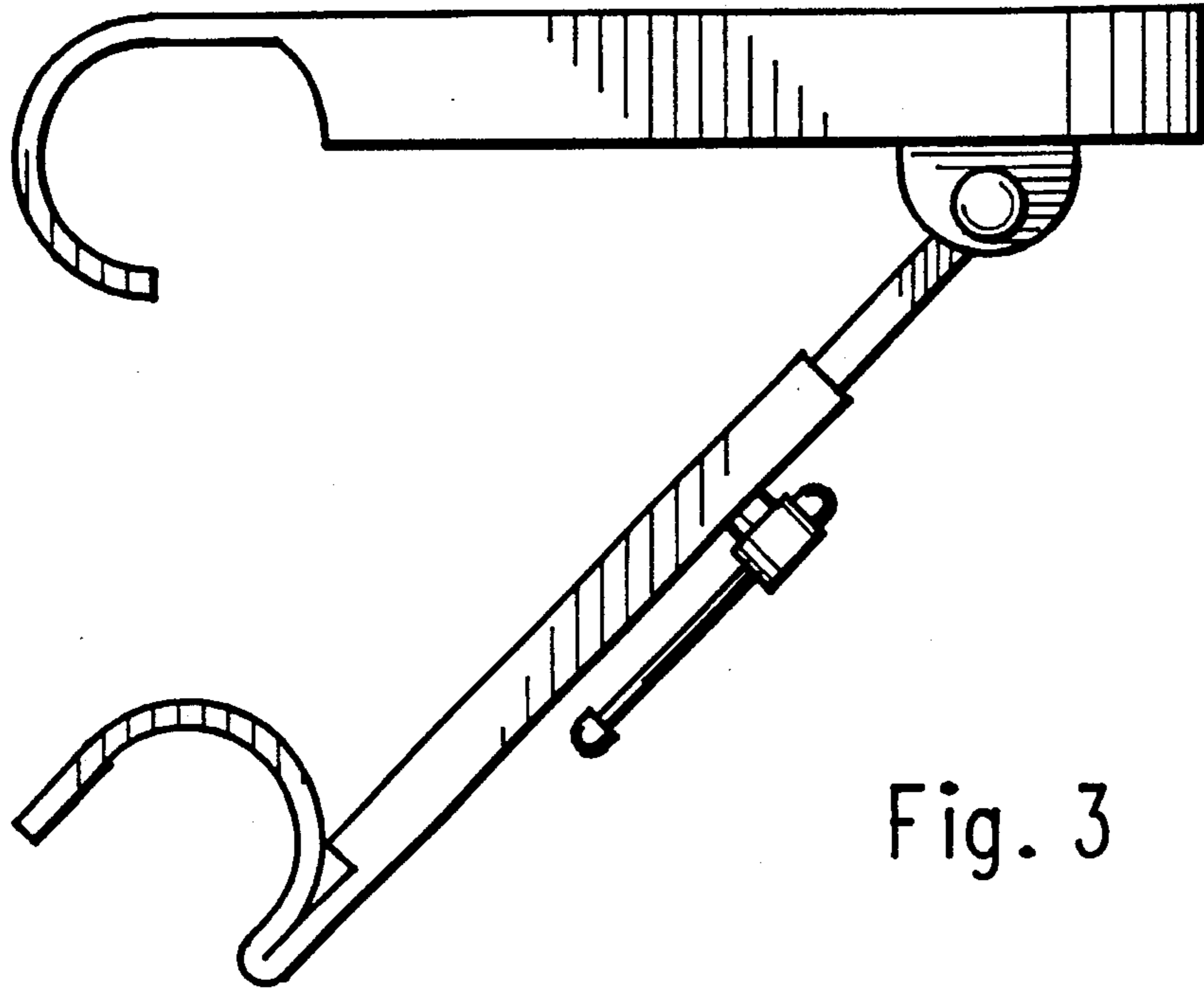


Fig. 3

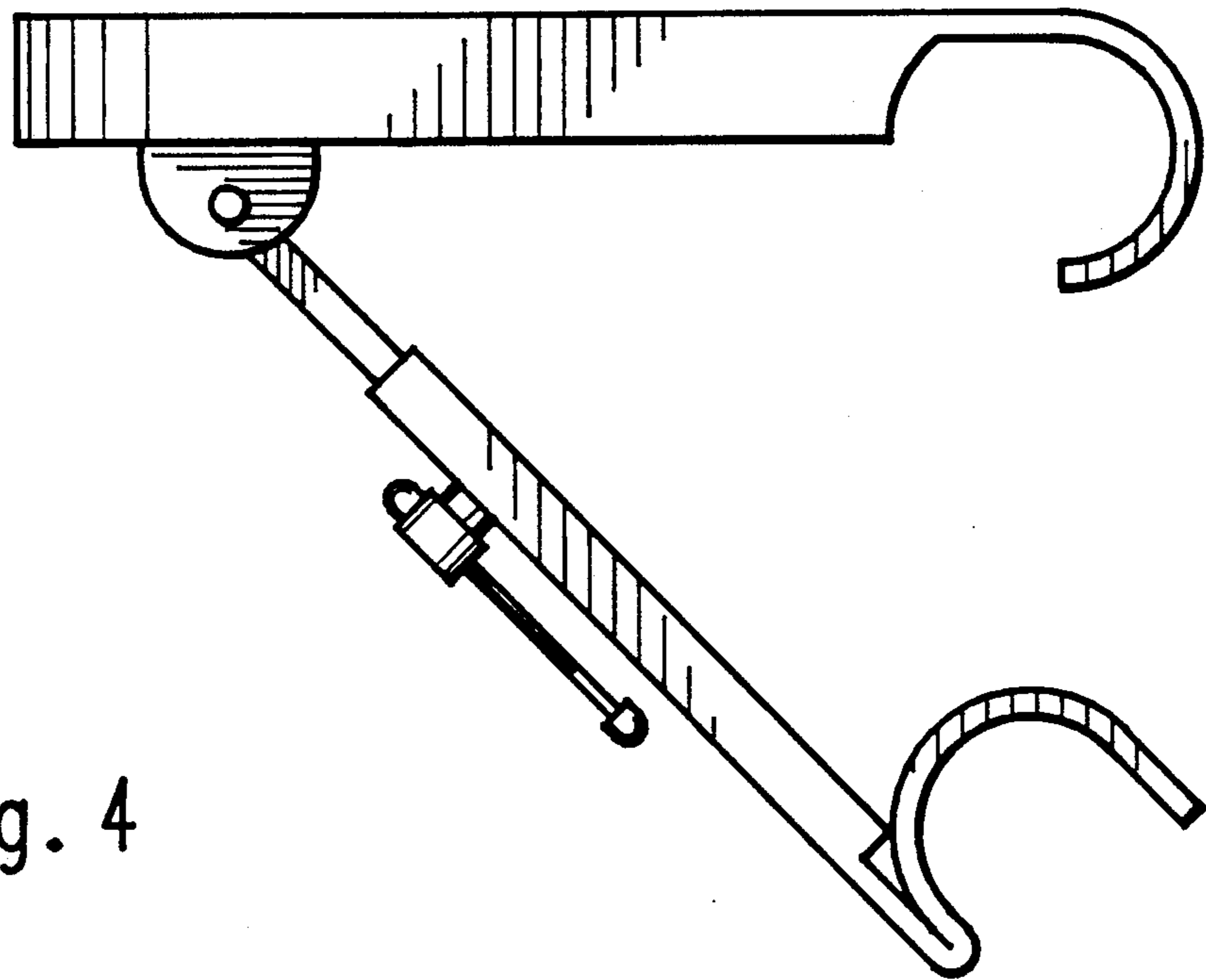


Fig. 4

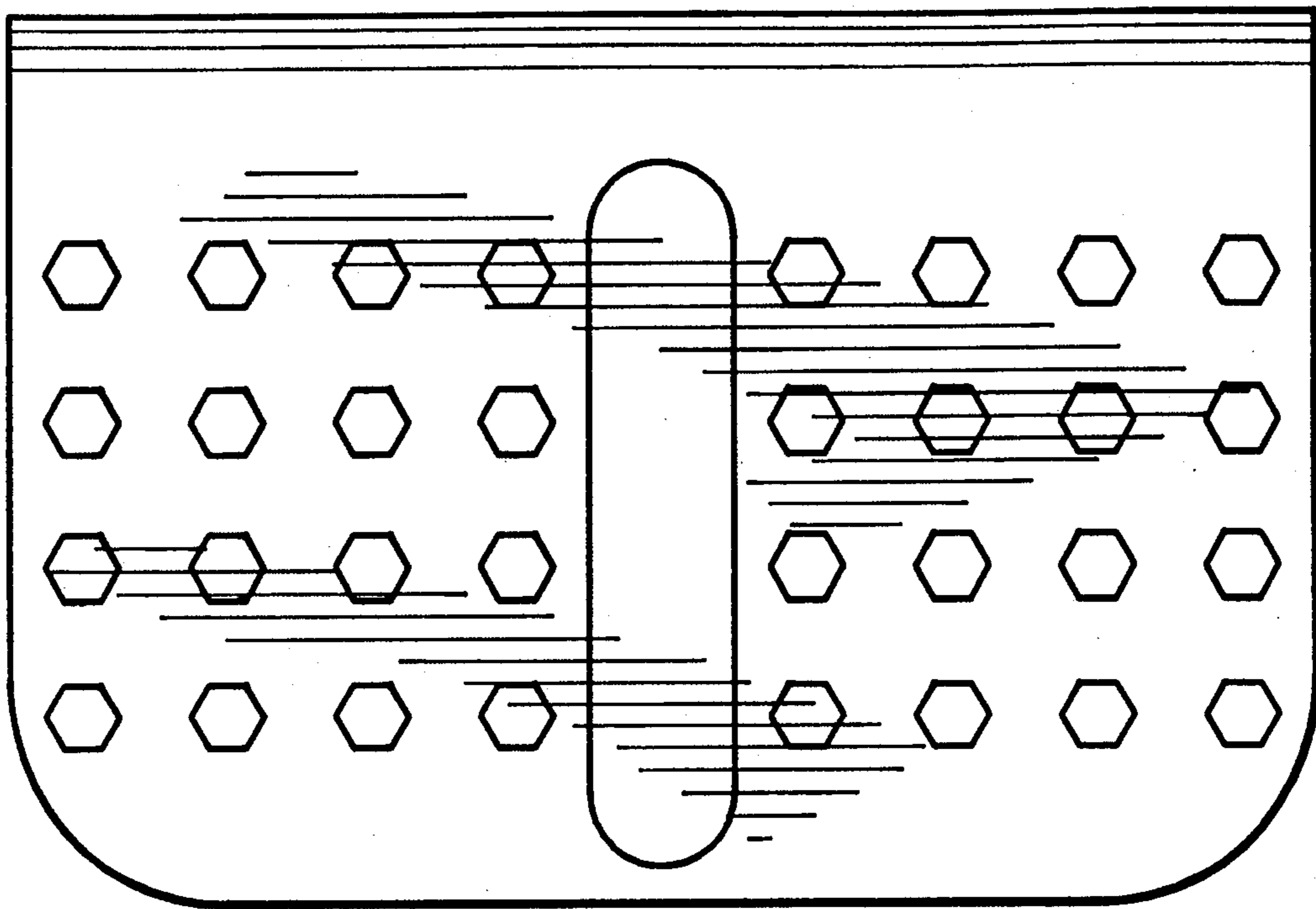


Fig. 5

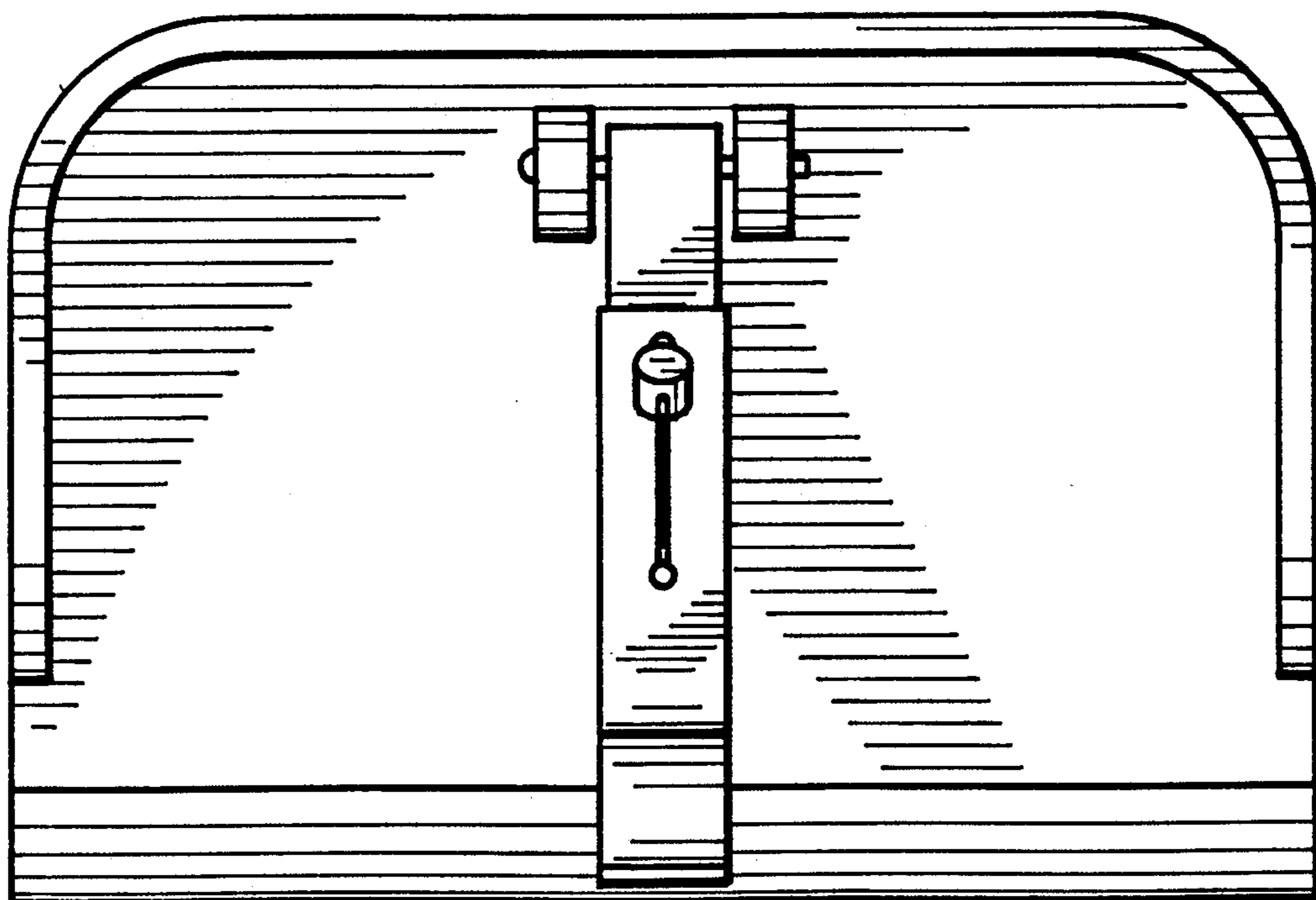


Fig. 6

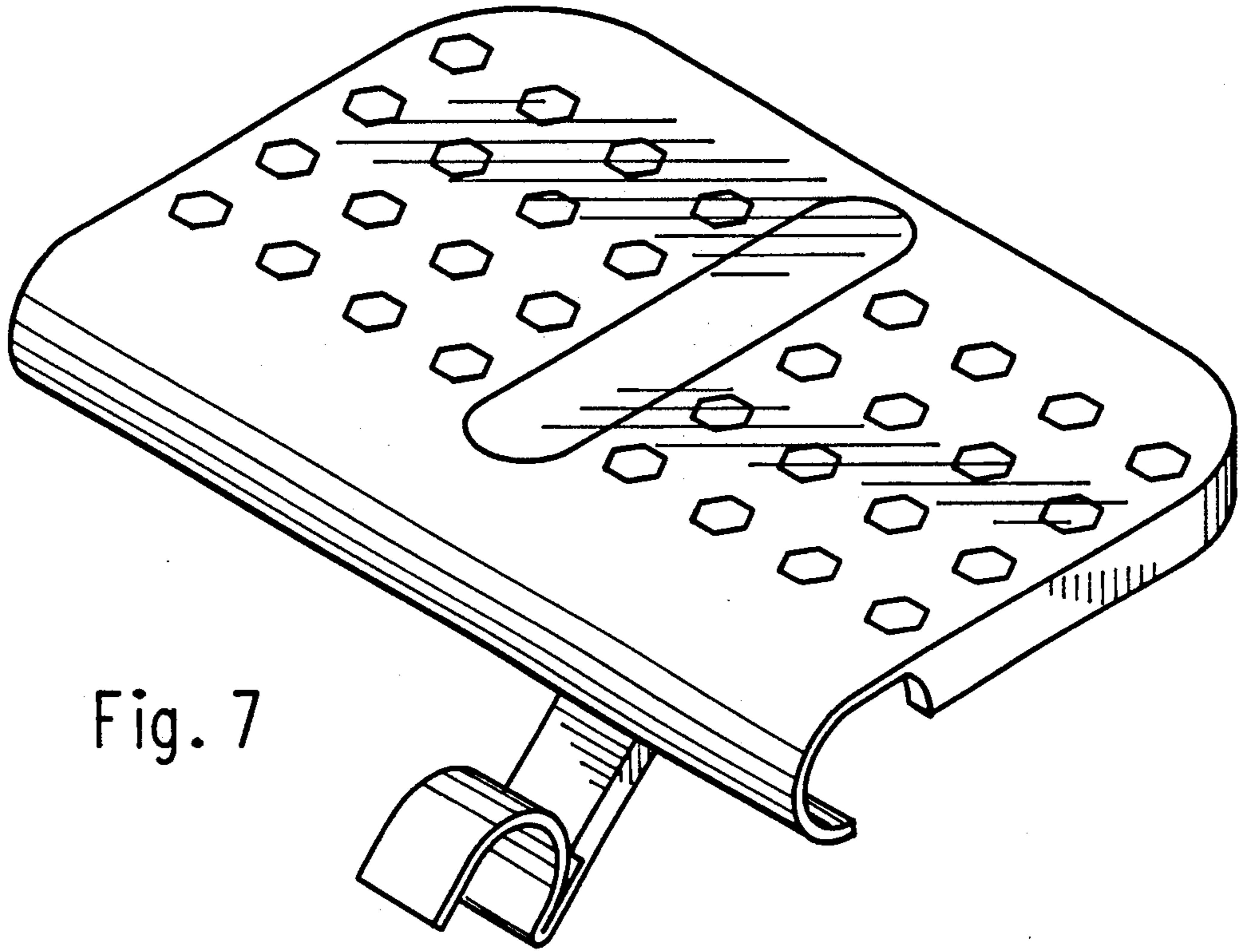


Fig. 7

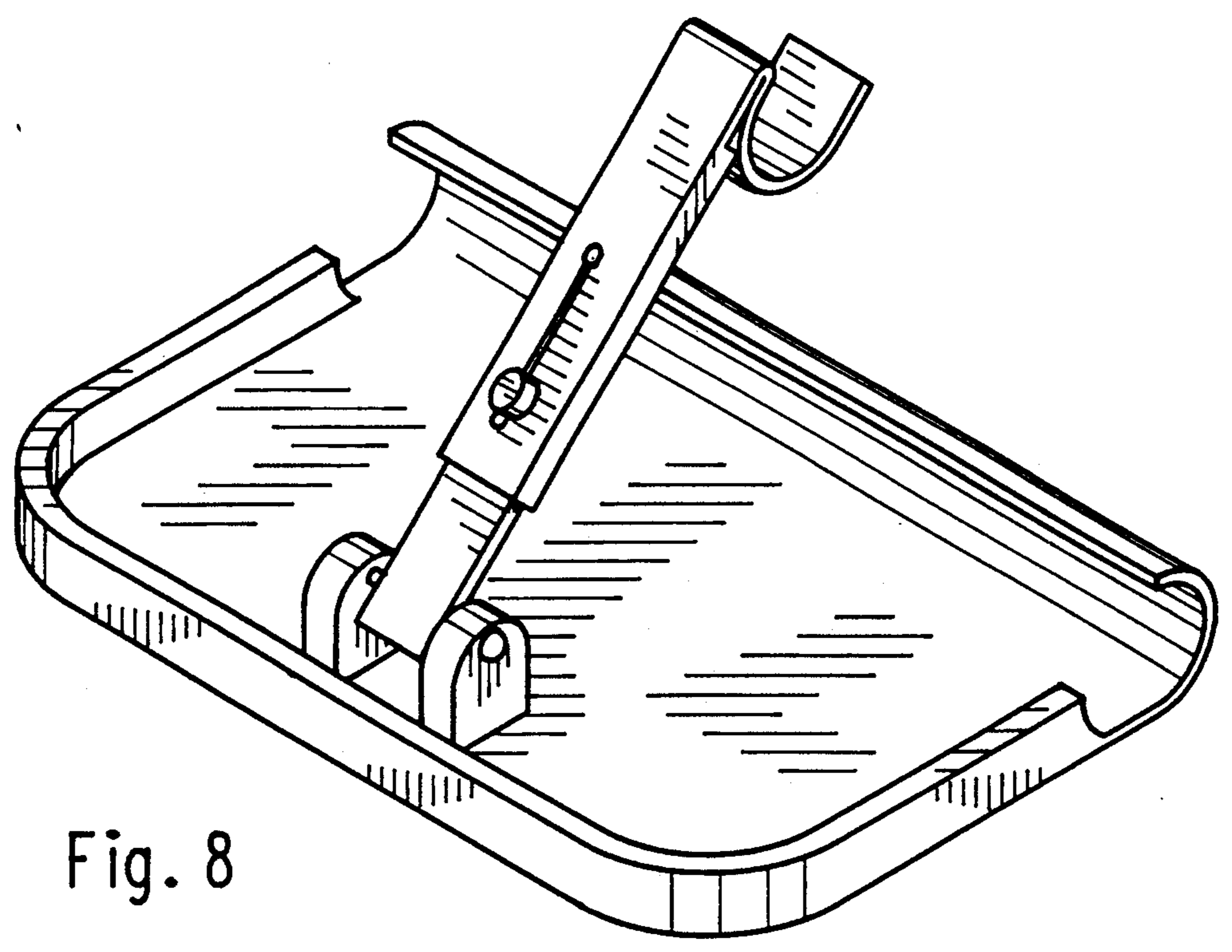


Fig. 8