

United States Patent [19]

Schadner et al.

[11] Patent Number: **Des. 316,486**

[45] Date of Patent: **** Apr. 30, 1991**

[54] **AUTOMOBILE GEAR SELECTOR LOCK**

[76] Inventors: **Gerhard Schadner**, Birger Jarls-gatan
120 C, S-114 20 Stockholm; **Agneta Nordberg**, Nidarosgatan 5, S-164 34 Spånga, both of Sweden

[**] Term: **14 Years**

[21] Appl. No.: **245,058**

[22] Filed: **Sep. 15, 1988**

[30] **Foreign Application Priority Data**

Mar. 25, 1988 [SE] Sweden 88-0767

[52] U.S. Cl. **D8/331**

[58] Field of Search **D8/330-331, D8/336, 333; 70/158, 201-202, 273-238, 416-417, 427-428, 245-247**

[56] **References Cited**

U.S. PATENT DOCUMENTS

D. 296,660 7/1988 Preddey D8/331
D. 306,253 2/1990 Solow D8/331
3,434,315 3/1969 Benedetto 70/202

4,104,895 8/1978 Tankel 70/237
4,317,346 3/1982 Gutman 70/238
4,598,562 7/1986 Freeman 70/237
4,627,514 12/1986 Brown D8/333 X
4,696,173 9/1987 Lee 70/427
4,719,986 1/1988 Richardson, Jr. 70/417 X

Primary Examiner—Wallace R. Burke
Assistant Examiner—Brian V. Vinson
Attorney, Agent, or Firm—Ostrolenk, Gaber, Gerb & Soffen

[57] **CLAIM**

The ornamental design for an automobile gear selector lock, as shown and described.

DESCRIPTION

FIG. 1 is a top, front, and left side perspective view of an automobile gear selector lock showing my new design;

FIG. 2 is a top, rear and left side perspective view thereof, the right side being a mirror image of that shown;

FIG. 3 is a top, rear, and left side perspective view thereof, shown in an opened position; and

FIG. 4 is a bottom plan view thereof.

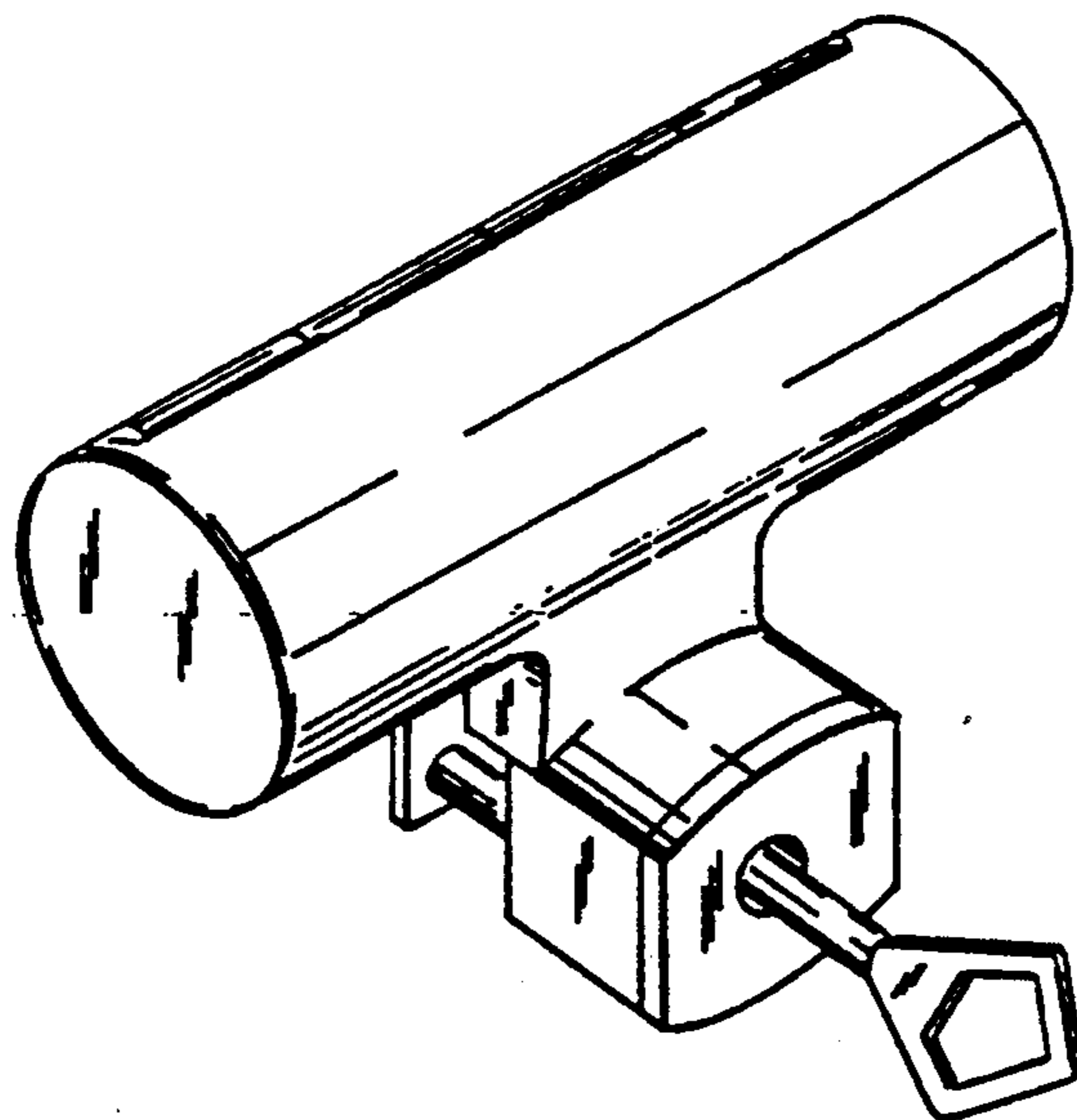


Fig. 1

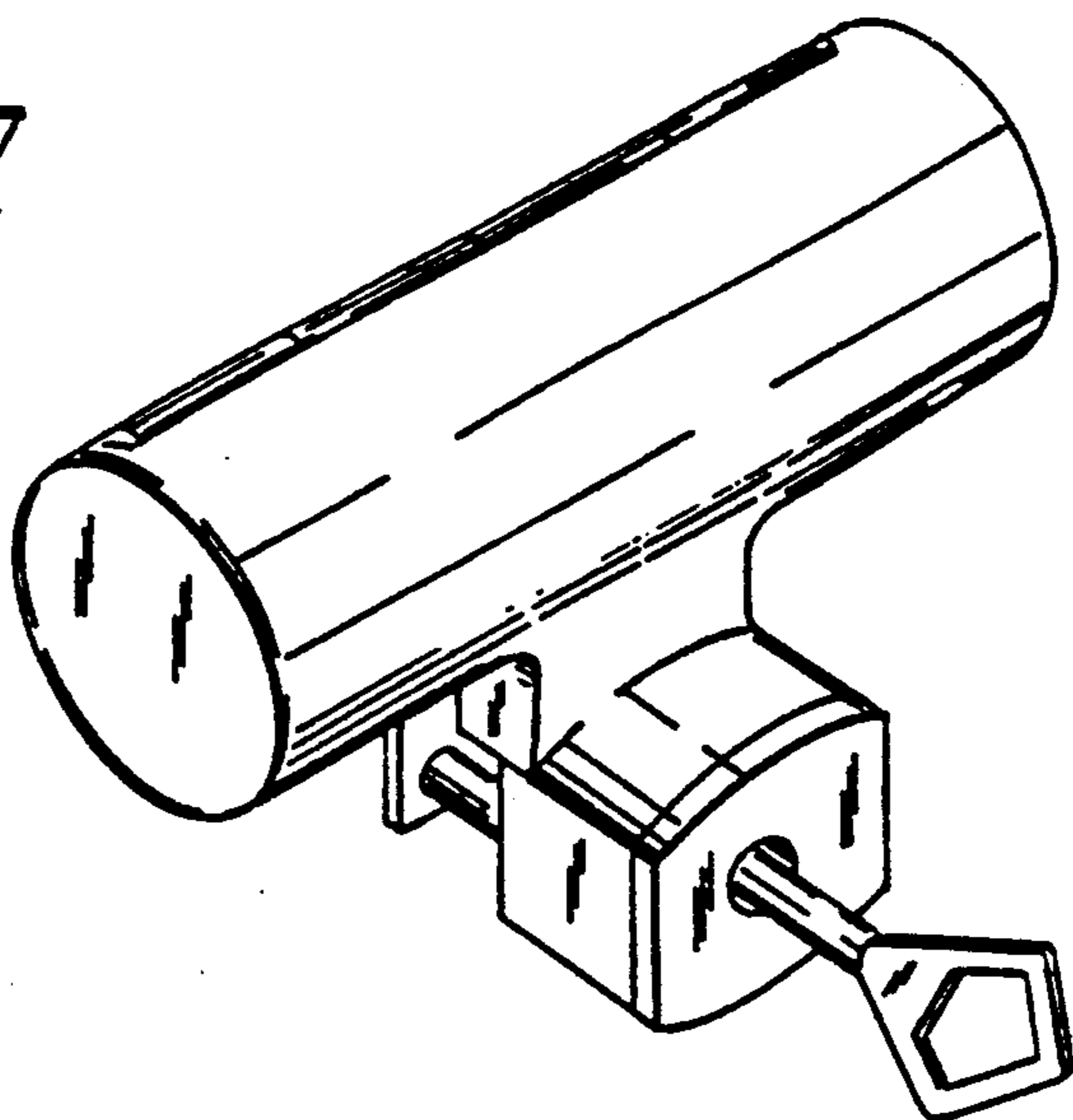


Fig. 2

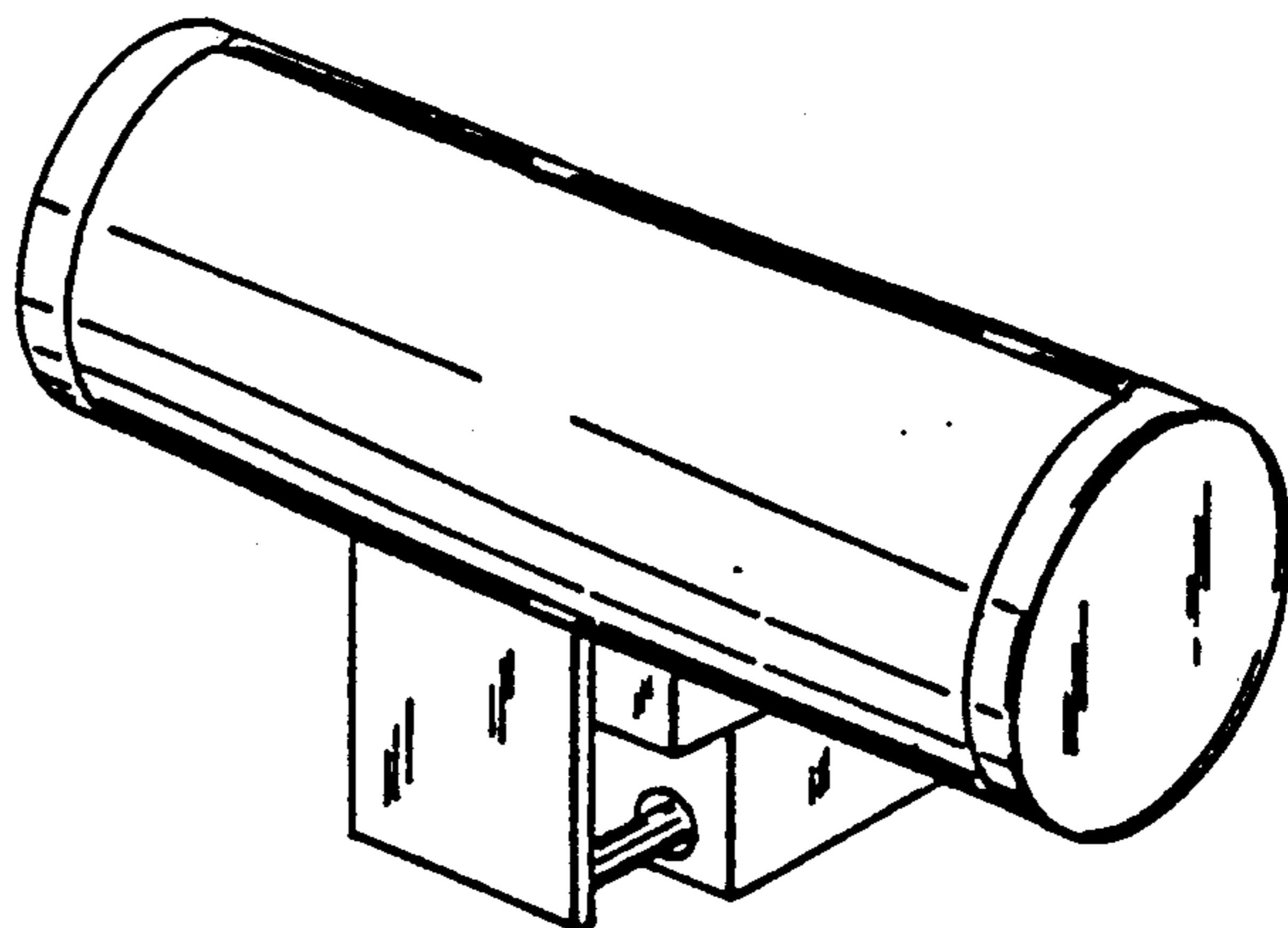


Fig. 3

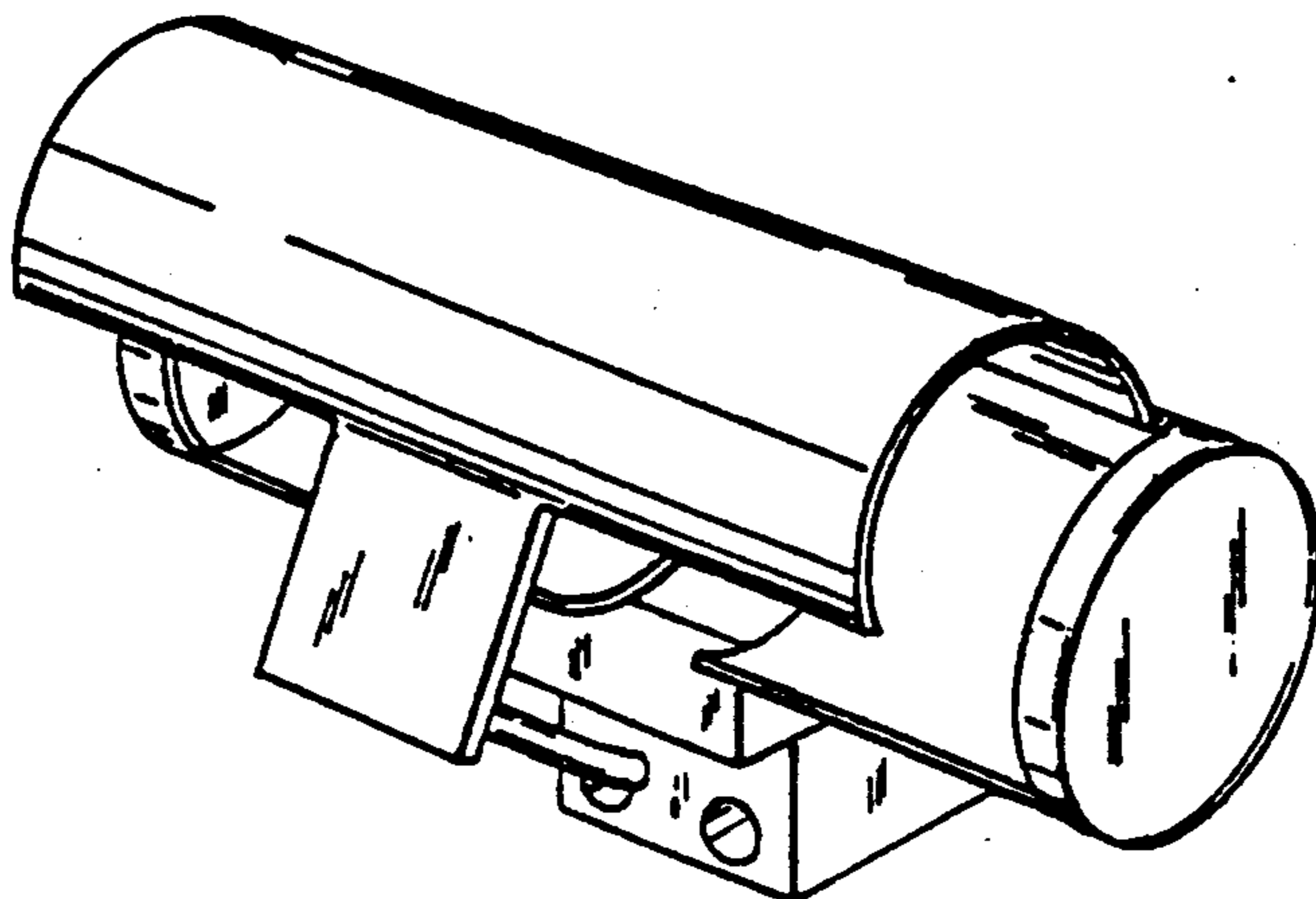


Fig. 4

