

United States Patent [19]

Kunimune et al.

[11] Patent Number: **Des. 316,481**

[45] Date of Patent: **** Apr. 30, 1991**

[54] CASE

[75] Inventors: **Noriaki Kunimune, Higashiosaka;
Yukio Wada, Kyoto, both of Japan**

[73] Assignee: **Kunimune Kogyosho Co., Ltd., Osaka,
Japan**

[**] Term: **14 Years**

[21] Appl. No.: **146,794**

[22] Filed: **Jan. 22, 1988**

[30] Foreign Application Priority Data

Sep. 24, 1987 [JP] Japan 62-38876

[52] U.S. Cl. **D3/35; D3/74**

[58] Field of Search **D3/35, 71, 76, 74, 56;
D19/26; 190/117, 109, 110, 112, 16, 900, 122,
111, 102; 206/307, 309, 311, 444, 459, 342**

[56] References Cited

U.S. PATENT DOCUMENTS

D. 267,714 1/1983 Tajima et al. D3/35

D. 294,430 3/1988 Tell D3/35
848,889 4/1907 Fitzgerald 190/16
2,036,341 4/1936 Lemburg 150/147
3,951,264 4/1976 Heidecker et al. 206/309
4,519,500 5/1985 Perchak 206/312

Primary Examiner—Louis S. Zarfes

Assistant Examiner—M. N. Pandozzi

Attorney, Agent, or Firm—Birch, Stewart, Kolasch & Birch

[57] CLAIM

The ornamental design for a case, as shown and described.

DESCRIPTION

FIG. 1 is a top perspective view of a case showing our new design; the bottom being identical;

FIG. 2 is a top perspective view of the case in an open position;

FIG. 3 is a top plan view of the case, in closed position; and

FIG. 4 is a cross-sectional view taken on line 4—4 of FIG. 3.

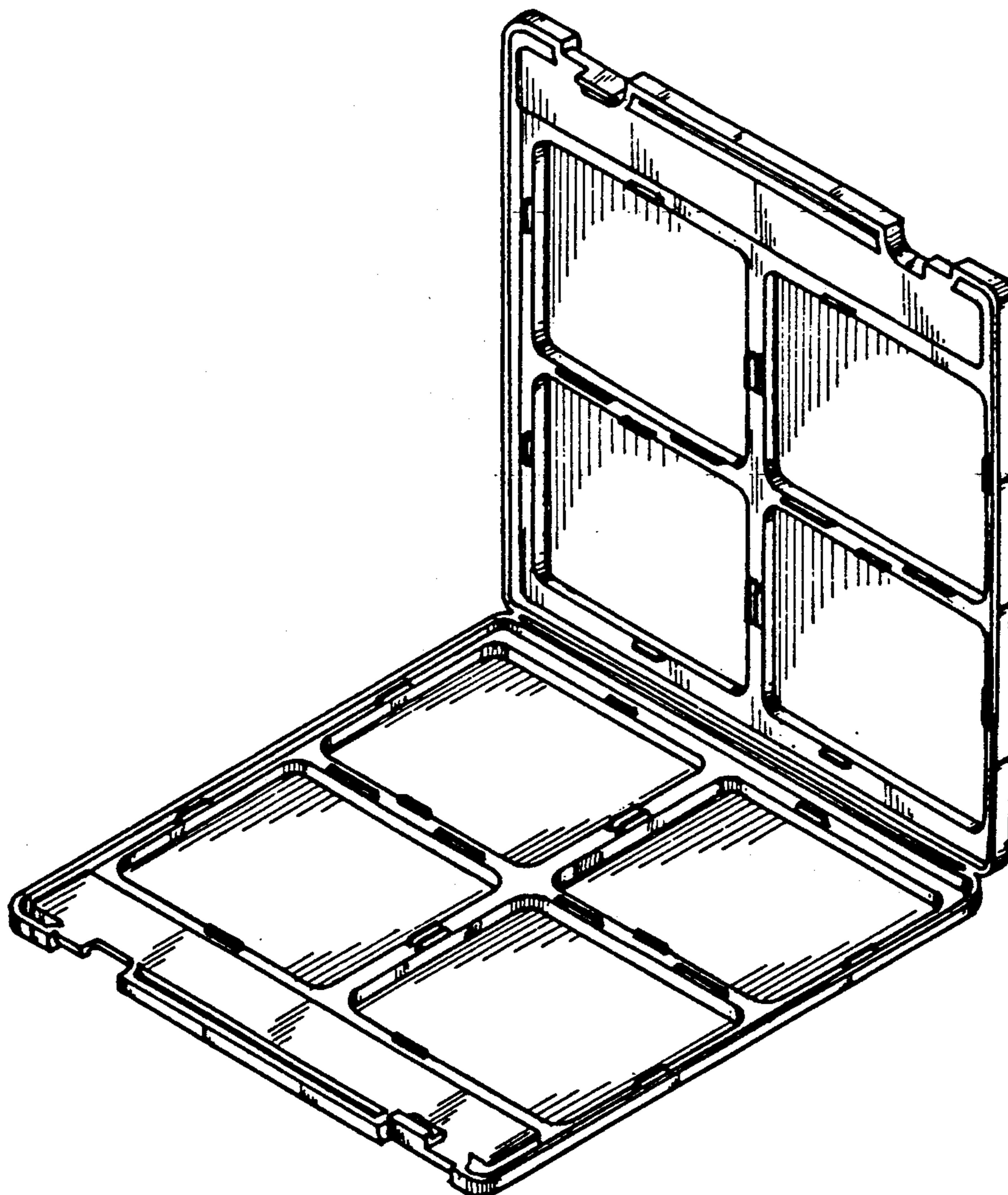


FIG. 1

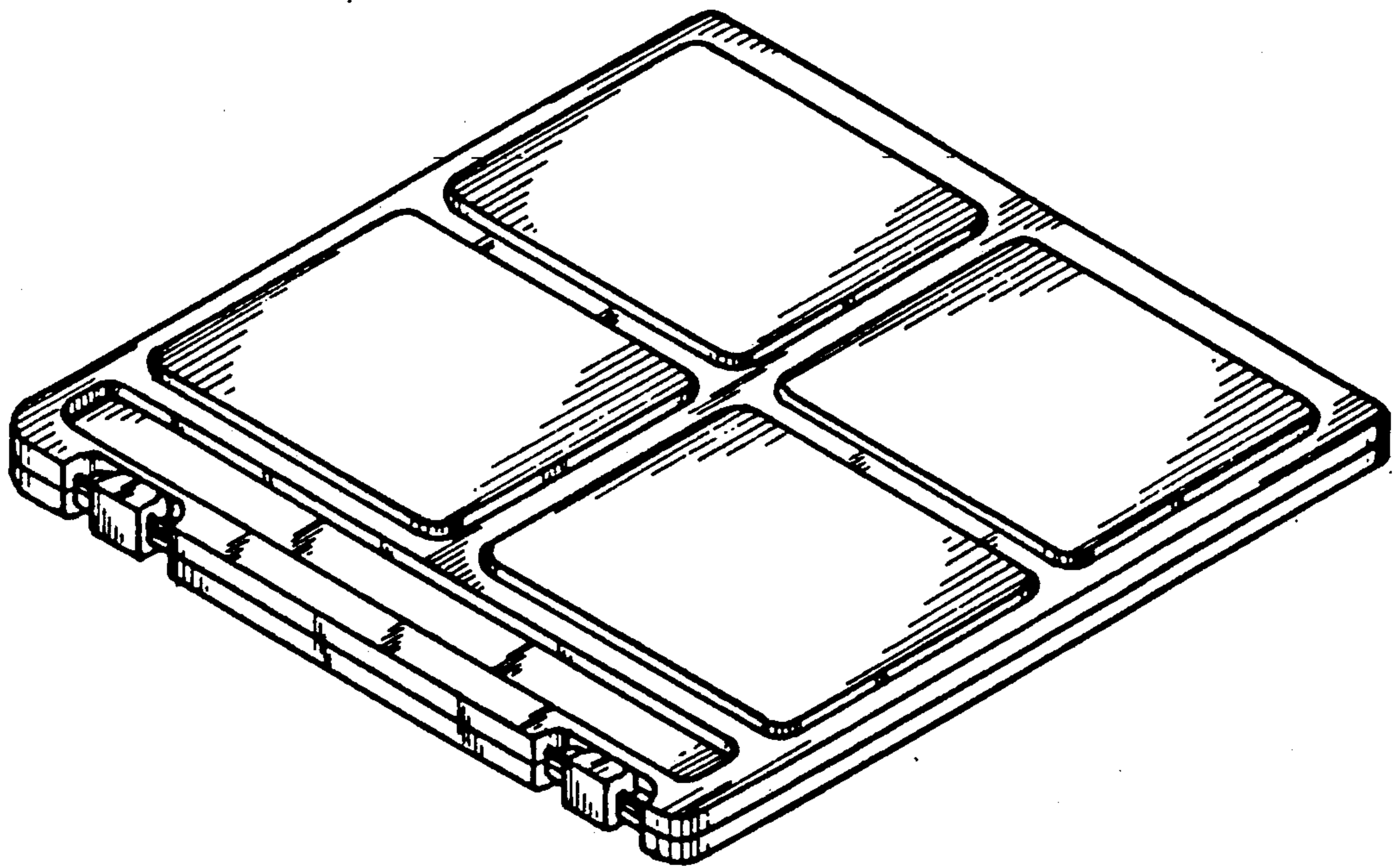


FIG. 2

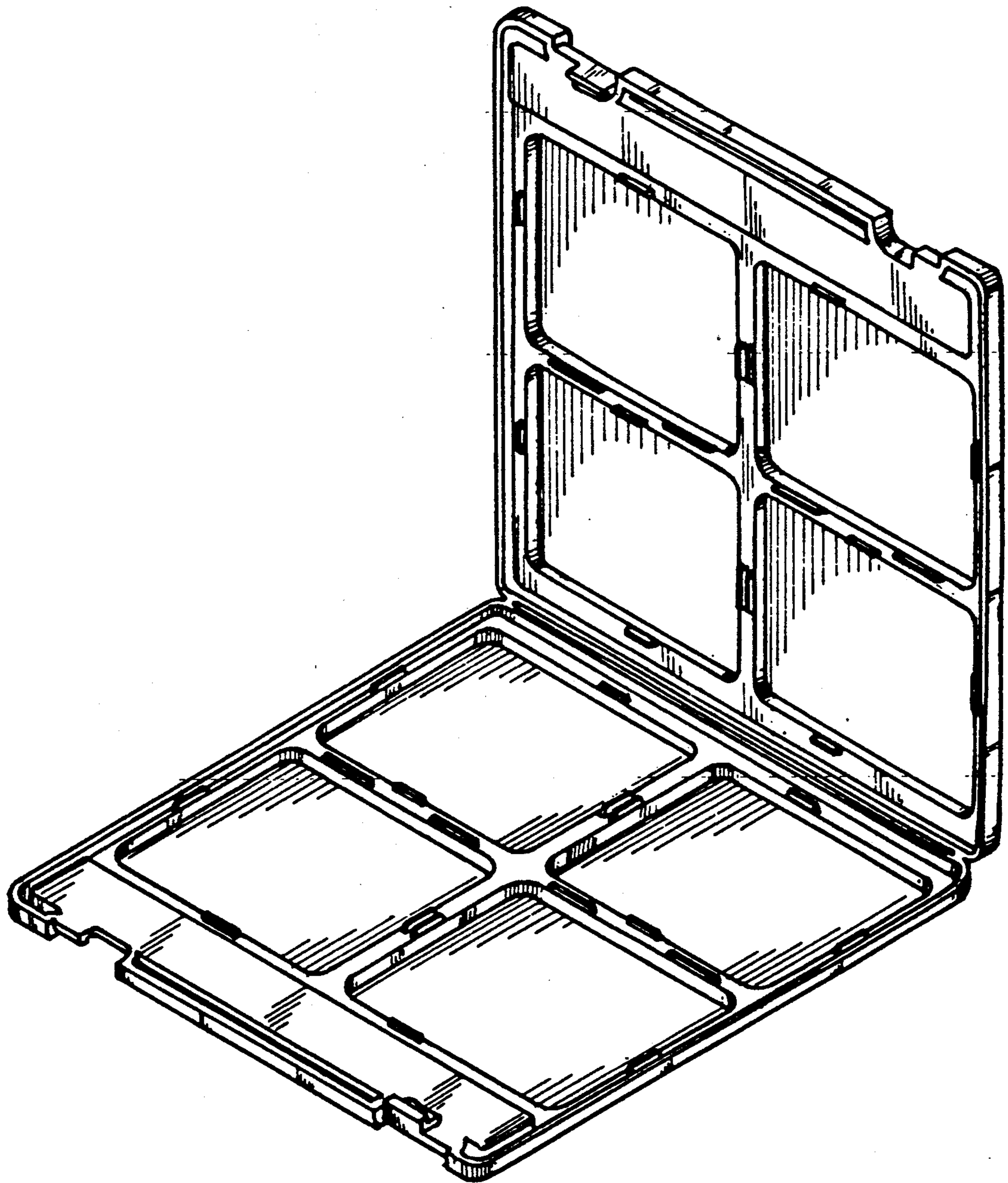


FIG. 3

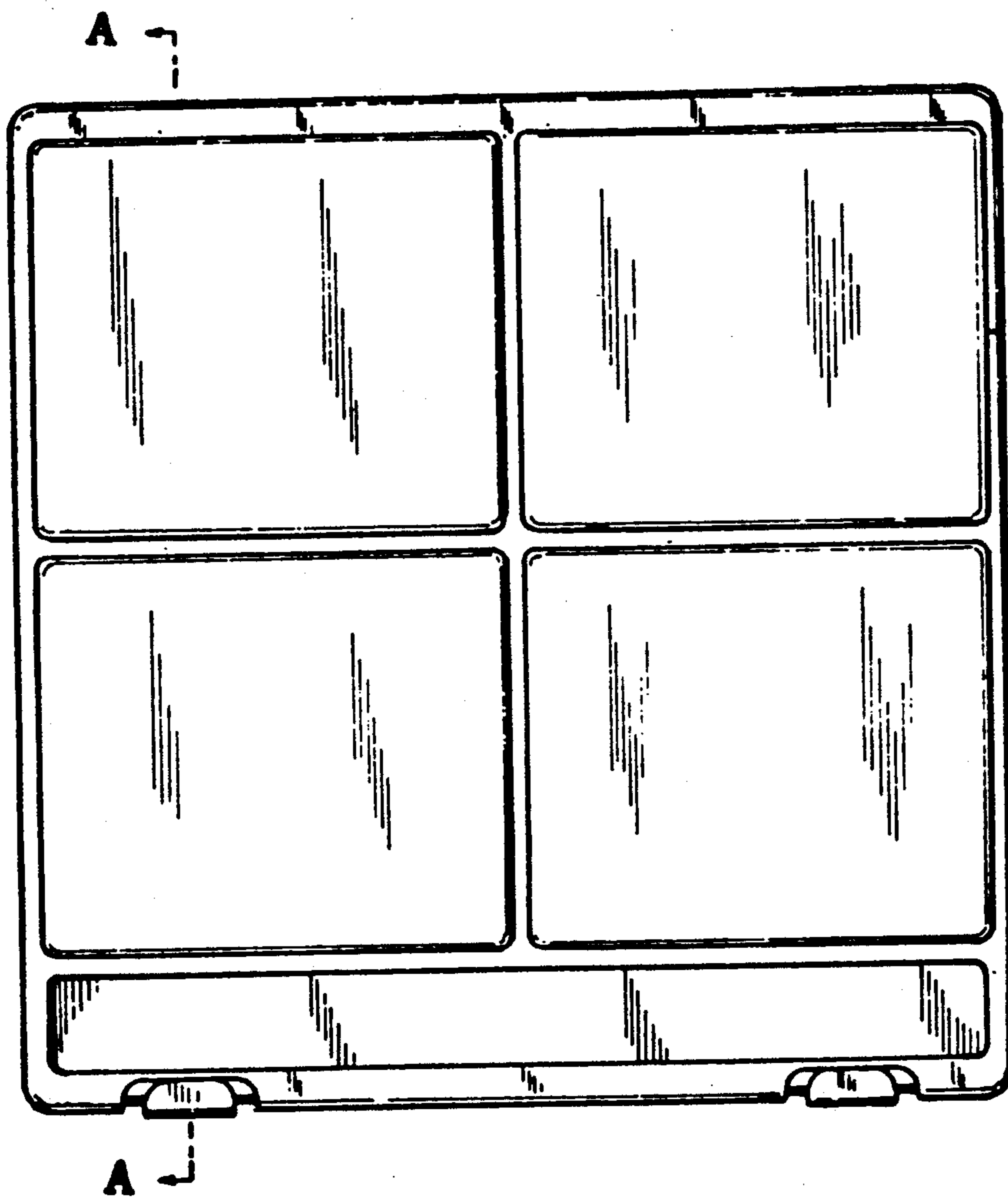


FIG. 4

