

[54] **ADJUSTABLE VEST**  
 [76] **Inventor: John M. Flanagan, 1008 Hiller Rd.,  
 McKinleyville, Calif. 95521**

1,763,688 6/1930 Champion ..... 2/247  
 2,424,666 7/1947 Previdi ..... 2/247  
 2,620,479 12/1952 Buck ..... 2/102  
 4,601,067 7/1986 Buonassissi ..... 2/94

[\*\*] **Term: 14 Years**

*Primary Examiner—A. Hugo Word*  
*Assistant Examiner—Celia A. Murphy*

[21] **Appl. No.: 297,999**

[57] **CLAIM**

[22] **Filed: Jan. 17, 1989**

The ornamental design for an adjustable vest, as shown and described.

[52] **U.S. Cl. .... D2/184; D2/183;  
 D2/187; D2/190**

[58] **Field of Search ..... D2/183, 187, 190, 191;  
 D29/10, 11; 2/102, 247, 253, 2.5, 92**

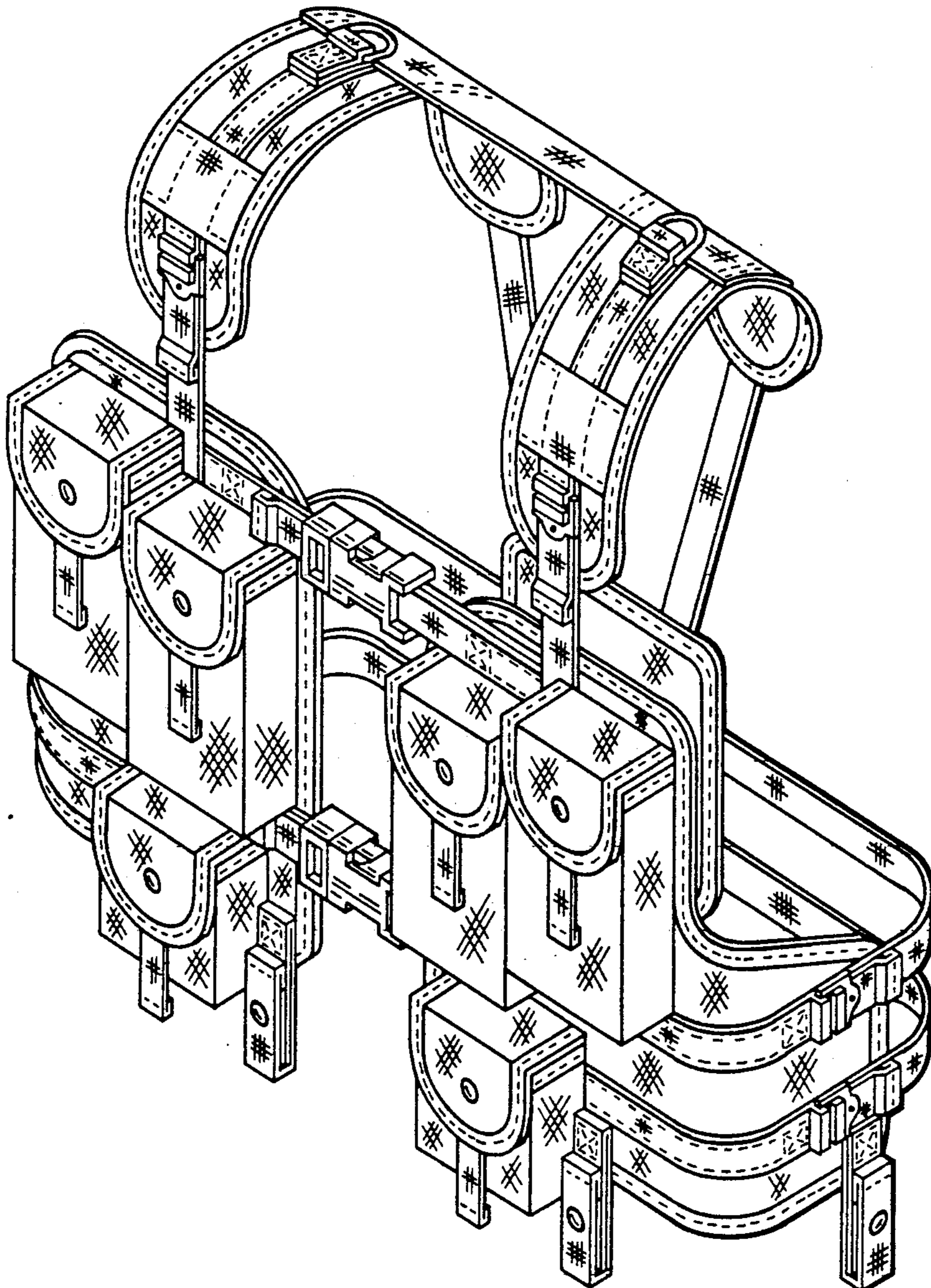
**DESCRIPTION**

[56] **References Cited**

FIG. 1 is a front elevational view of an adjustable vest showing my new design;  
 FIG. 2 is a rear elevational view thereof;  
 FIG. 3 is a left side elevational view thereof;  
 FIG. 4 is a right side elevational view thereof;  
 FIG. 5 is a top plan view thereof; and  
 FIG. 6 is a perspective view thereof.

**U.S. PATENT DOCUMENTS**

D. 269,136 5/1983 Presentin ..... D2/190  
 D. 273,910 5/1984 Teeny ..... D2/186  
 1,708,786 4/1929 Cohen ..... 2/253



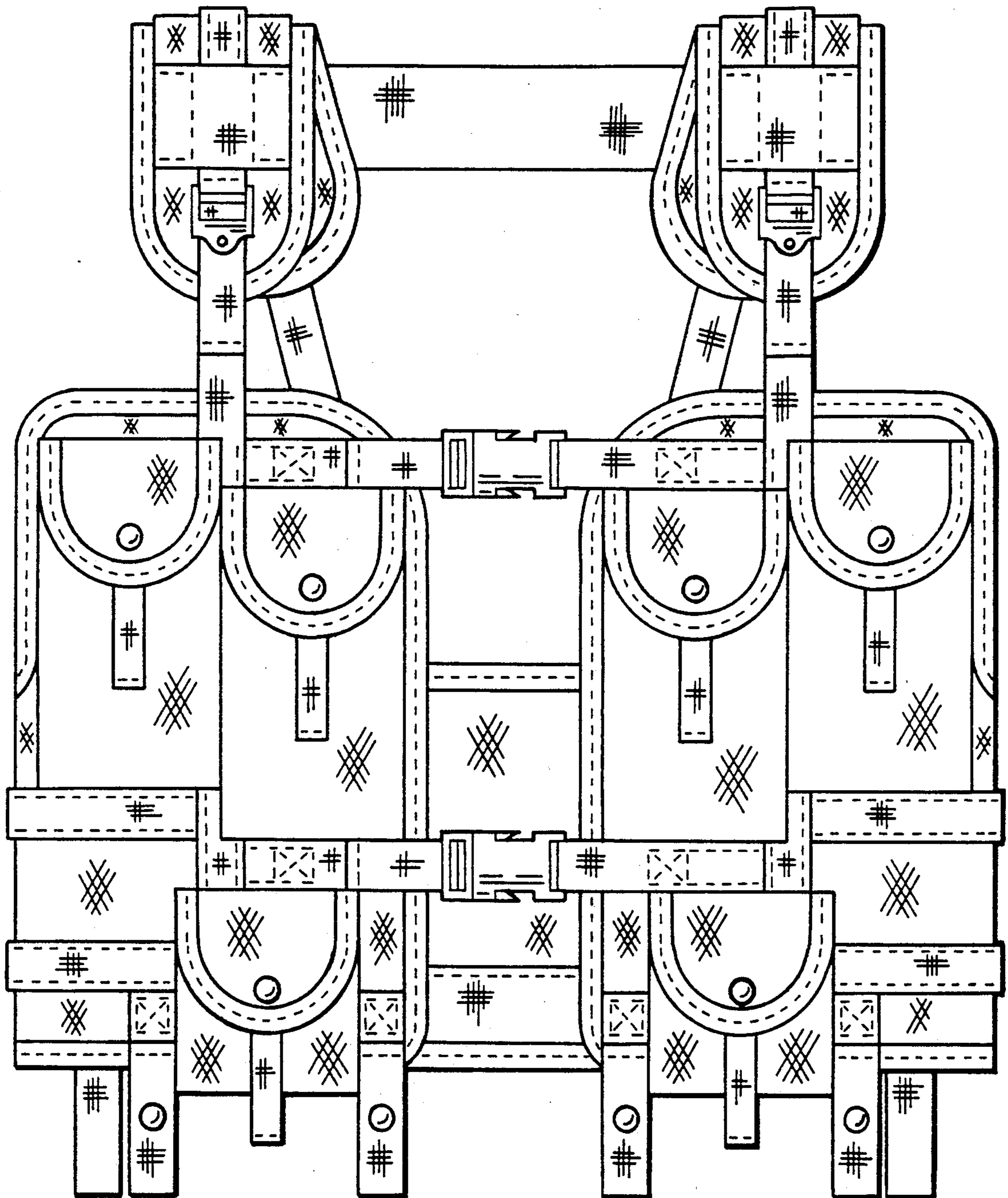


FIG. 1

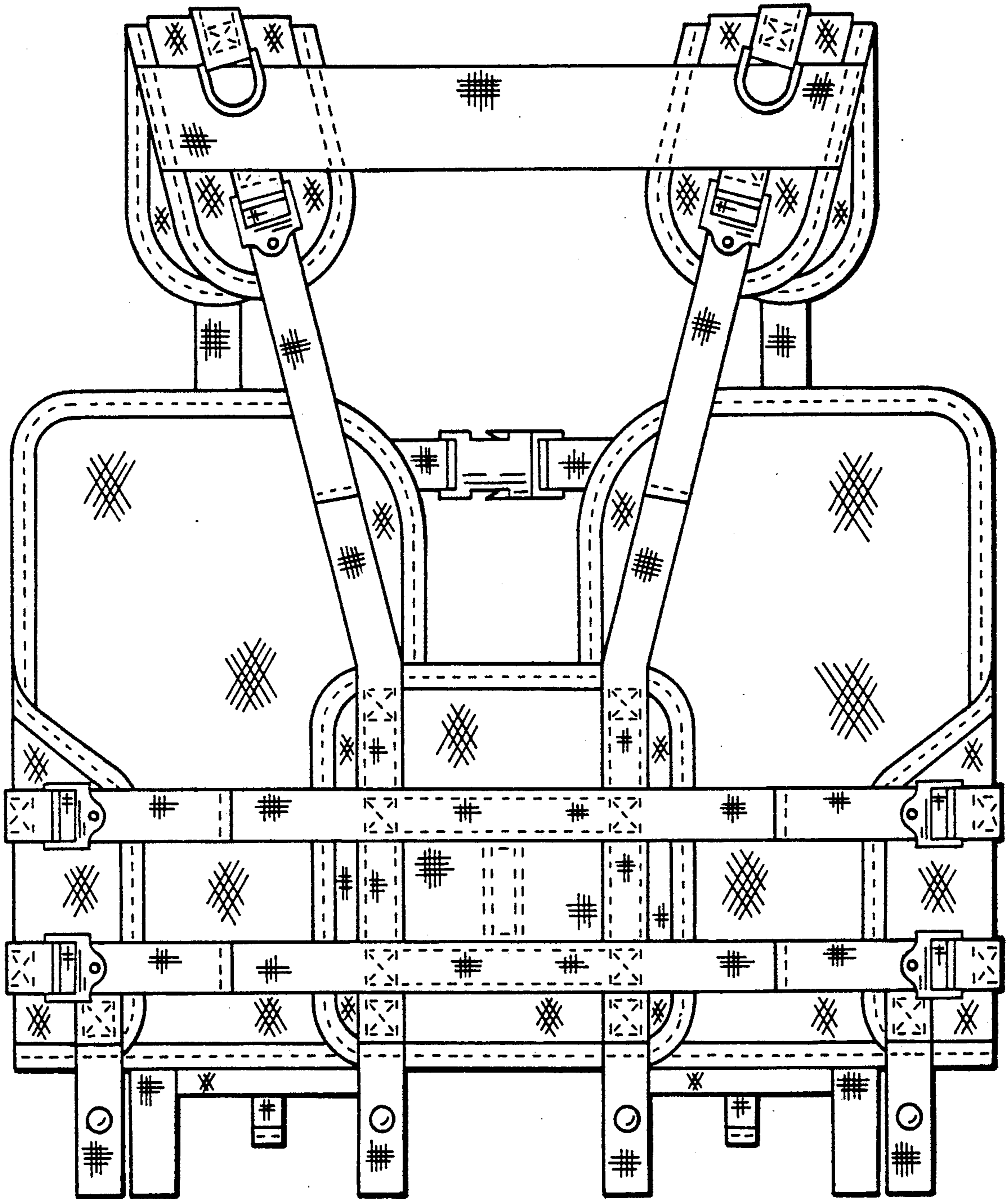


FIG. 2

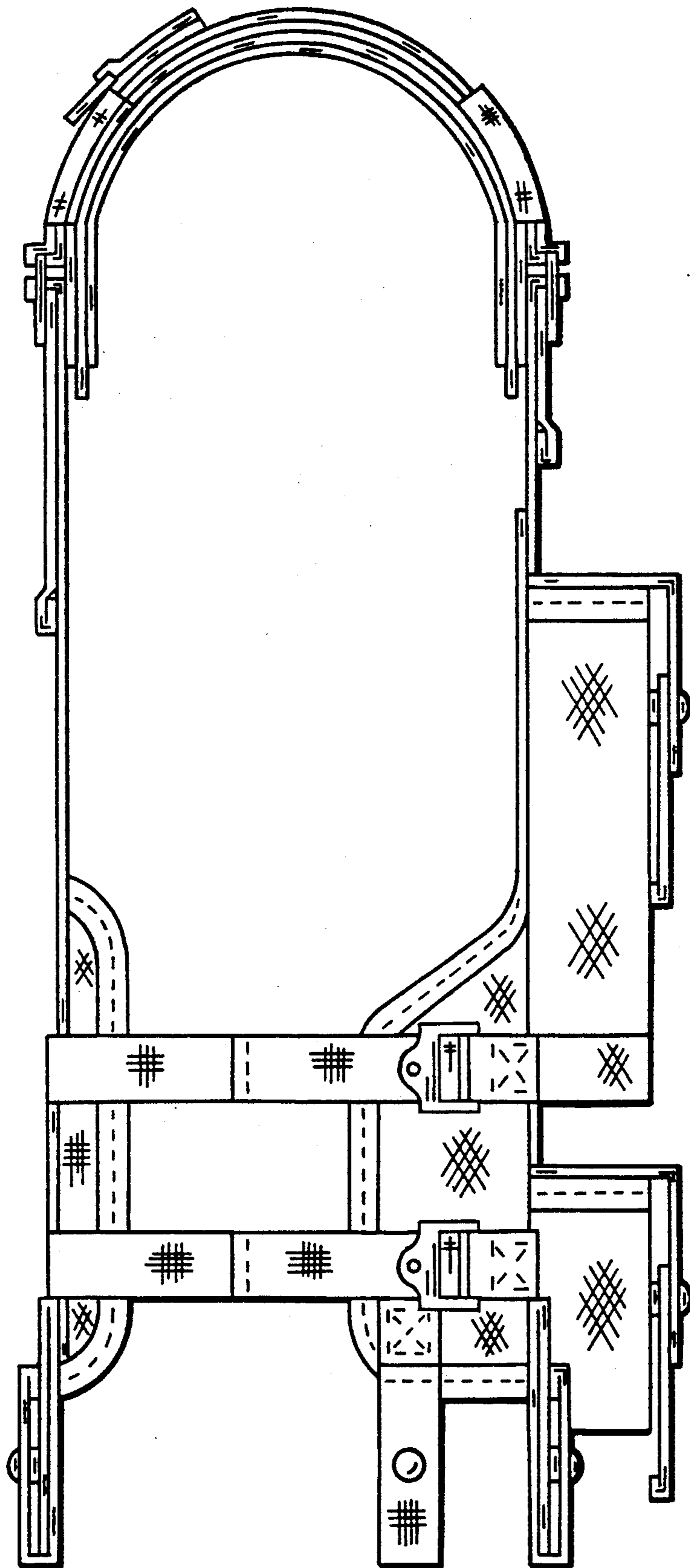


FIG. 3

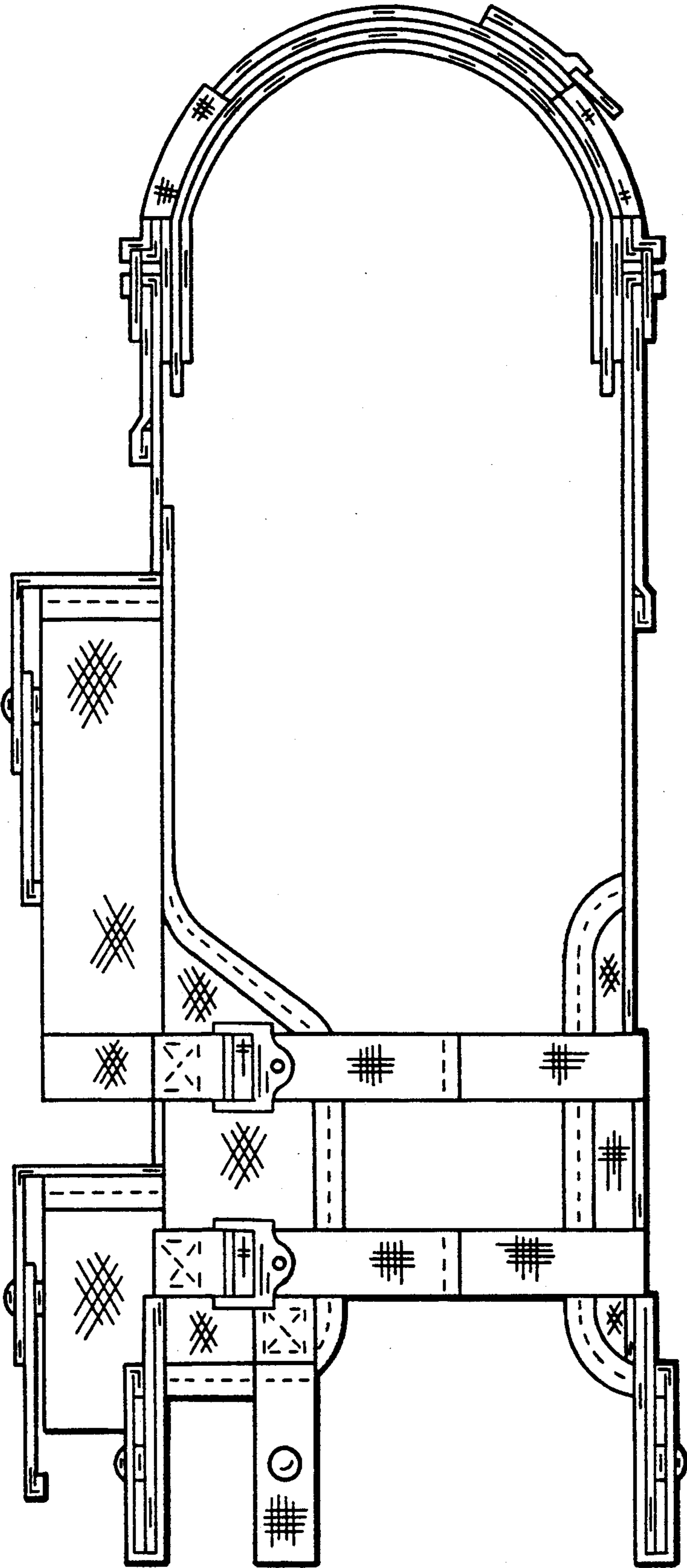


FIG. 4

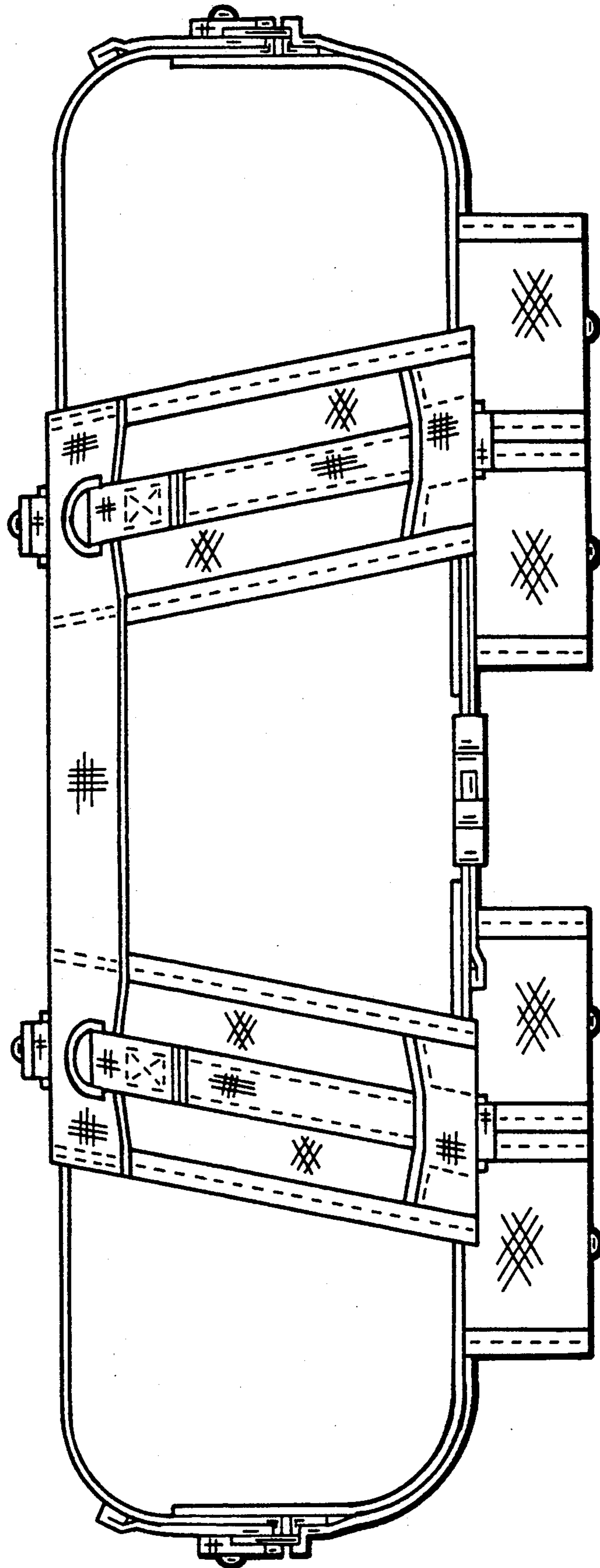


FIG. 5

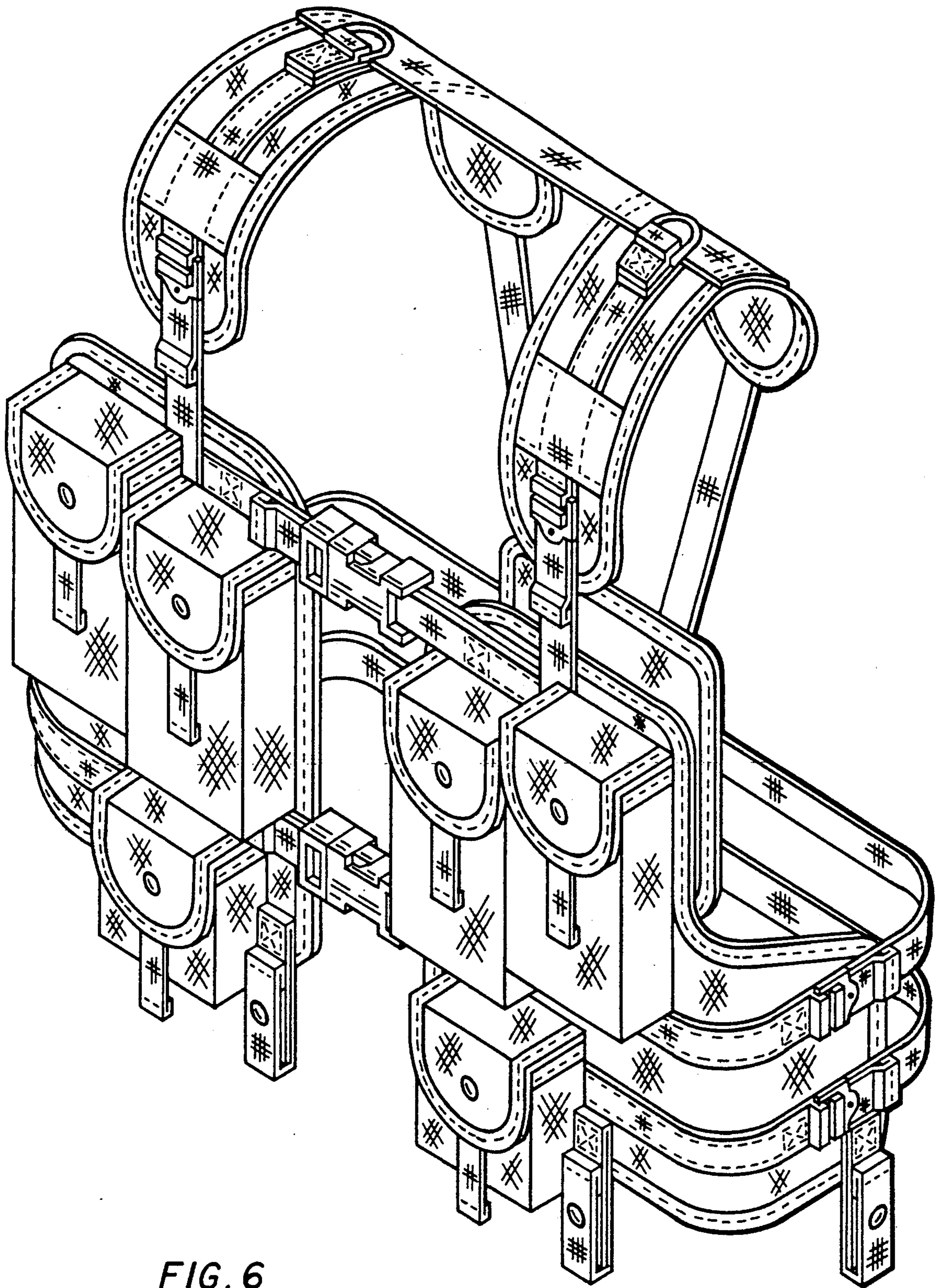


FIG. 6