

[54] NEWSPAPER BOX

[76] Inventor: Carl D. Fuemmeler, 1809 S. Morris, Mexico, Mo. 65265

[**] Term: 14 Years

[21] Appl. No.: 60,371

[22] Filed: Jun. 10, 1987

[52] U.S. Cl. D99/29

[58] Field of Search D99/29-33; 232/17, 24-31, 33, 34, 35, 37, 38, 39, 1 C

[56] References Cited

U.S. PATENT DOCUMENTS

D. 122,006	8/1940	Smith	D99/33
3,134,538	5/1964	Fibus	232/17
3,556,393	1/1971	Fibus et al.	232/17
3,888,409	6/1975	Bolduc	D99/32 X
4,120,446	10/1978	Fuemmeler	232/17
4,627,566	12/1986	Fibus	232/1 C
4,724,998	2/1988	Long et al.	232/39 X

OTHER PUBLICATIONS

Publication by International Circulation Managers Association, Inc. entitled ICMA Update dated Dec. 1986.

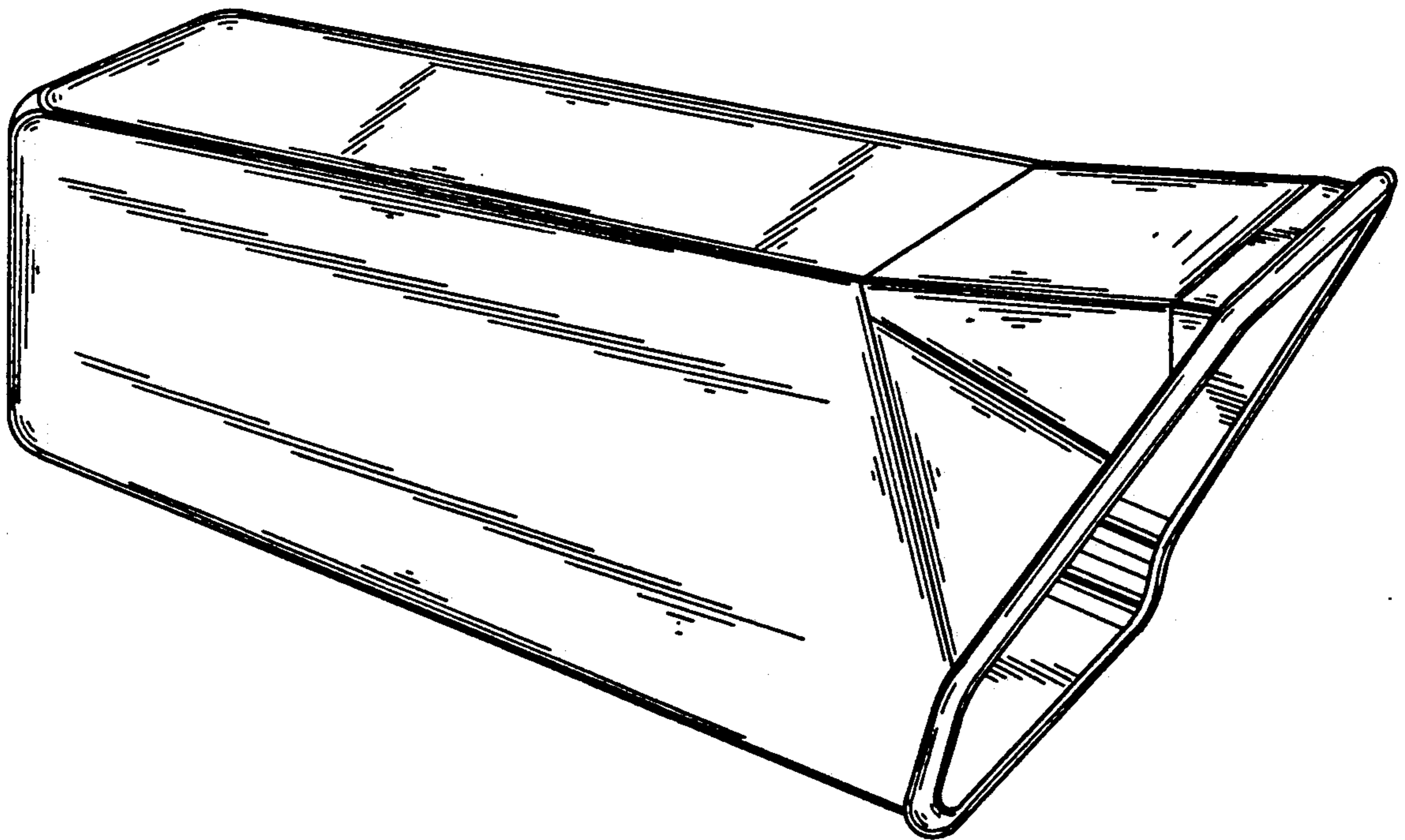
Primary Examiner—Nelson C. Holtje
Attorney, Agent, or Firm—Gravely, Lieder & Woodruff

[57] CLAIM

The ornamental design for a newspaper box, as shown and described.

DESCRIPTION

FIG. 1 is a top, front and left side perspective view of a news paper box showing my new design;
FIG. 2 is a left side elevational view thereof; the right side view being a mirror image thereof;
FIG. 3 is a bottom plan view thereof;
FIG. 4 is a front elevational view thereof;
FIG. 5 is a cross sectional view thereof as taken from line 5—5 of FIG. 2; and
FIG. 6 is a top, rear, and right side perspective view thereof.



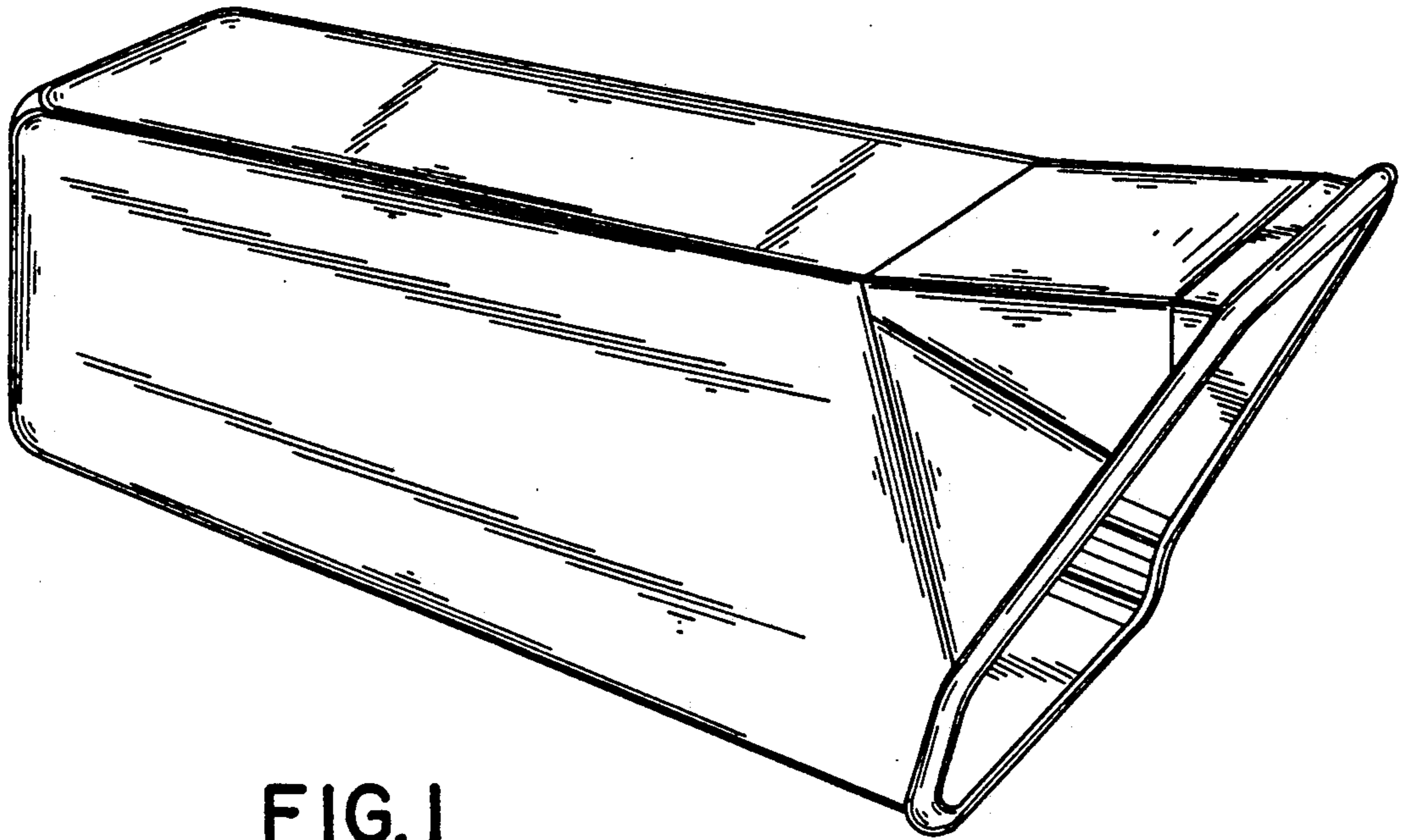


FIG. 1

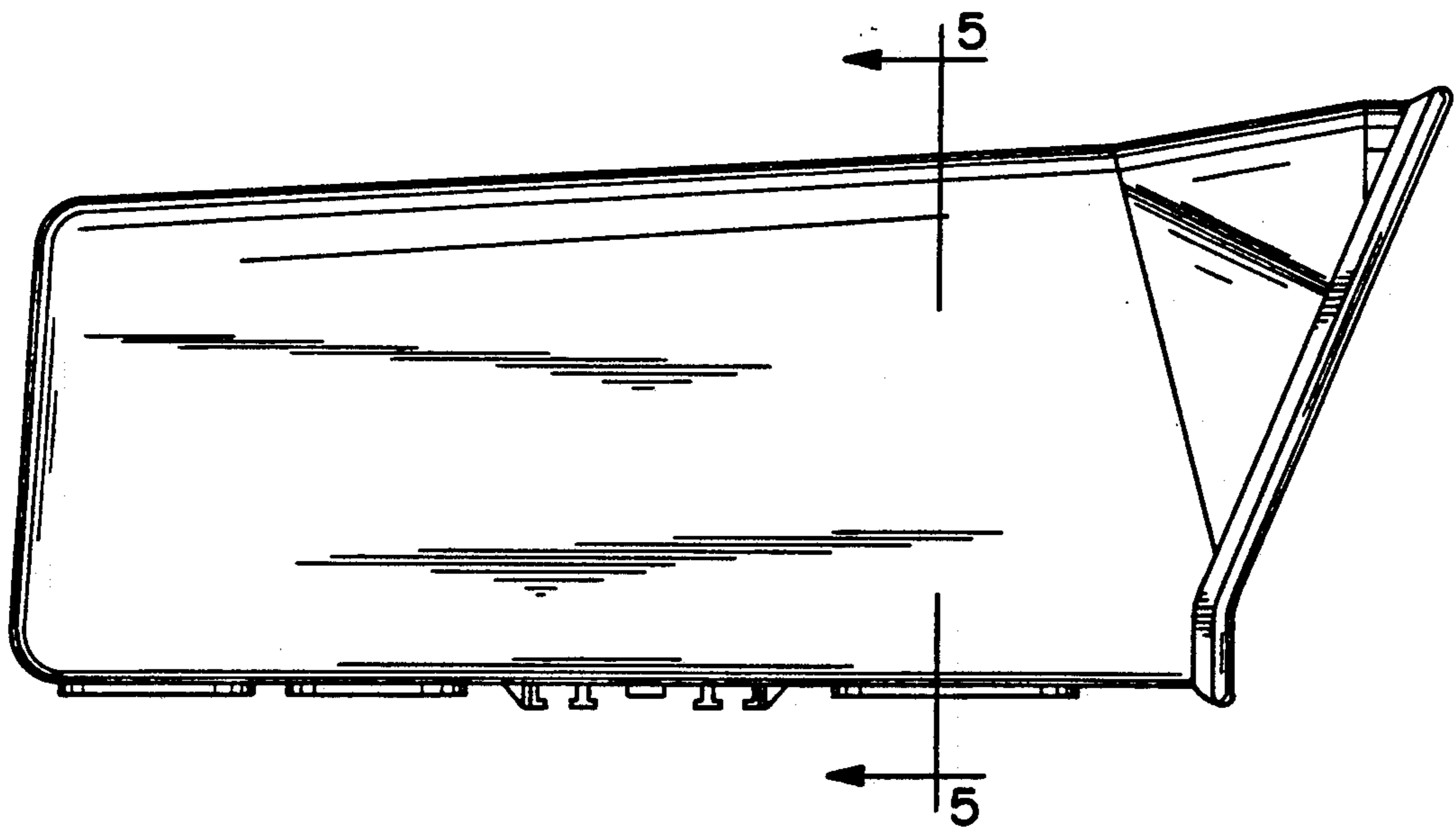


FIG. 2

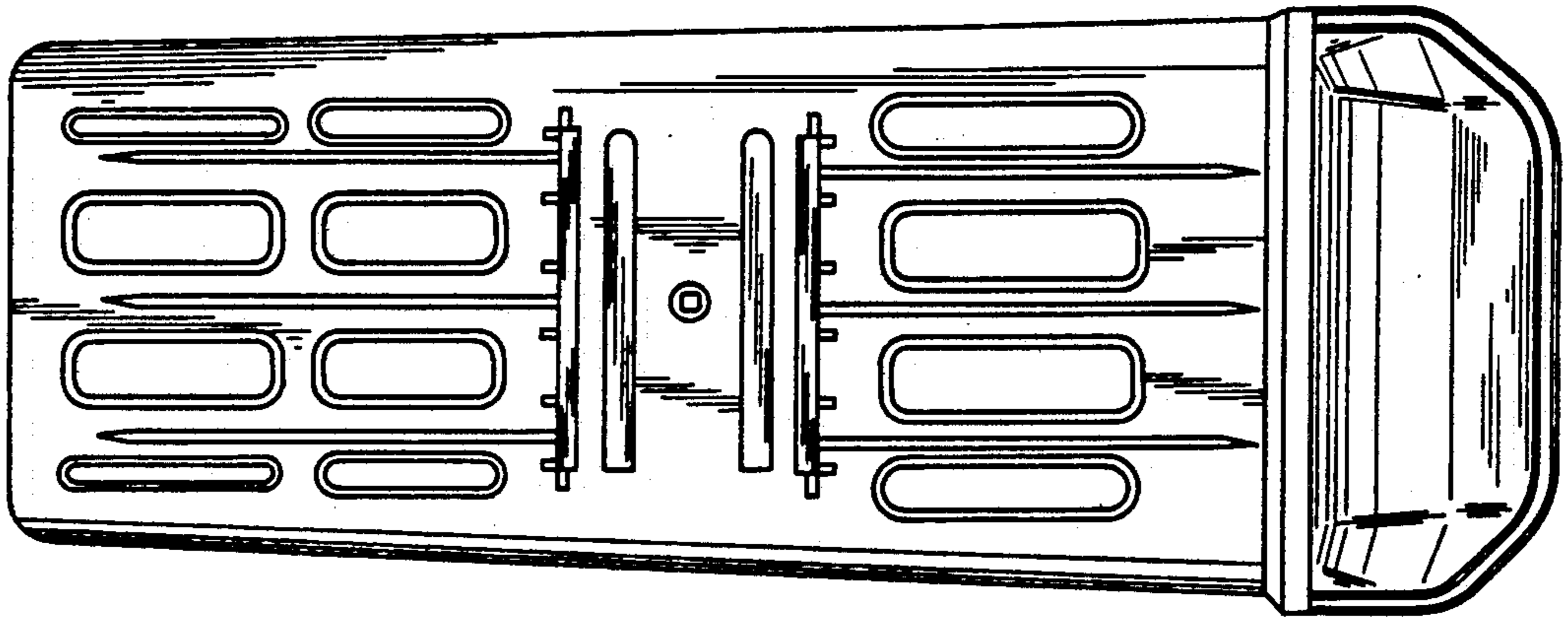


FIG. 3

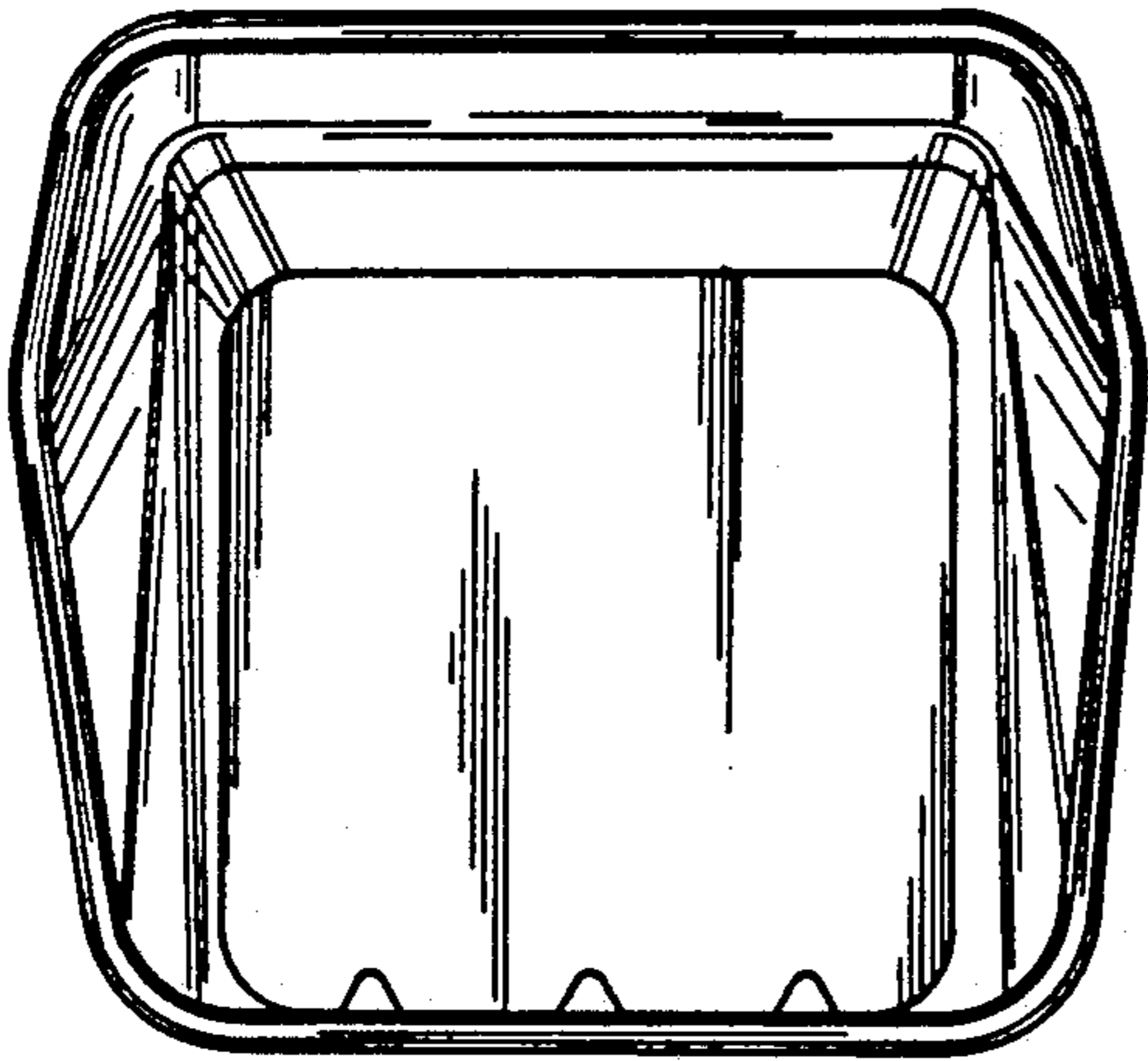


FIG. 4

FIG. 5

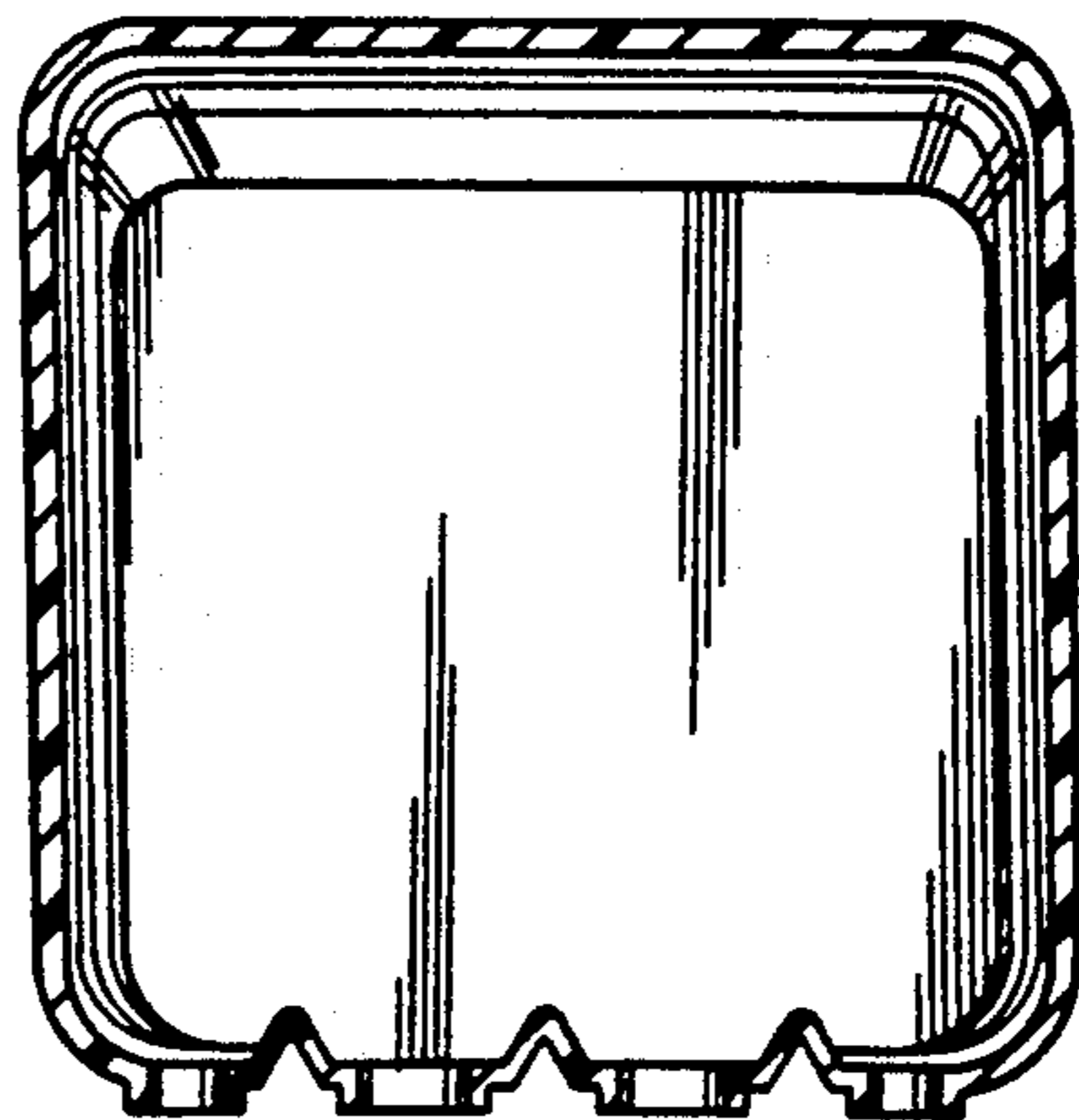


FIG. 6

