

[54] IRON

D. 290,890 7/1987 Ueno et al. D32/70
D. 298,877 12/1988 Osit D32/70
D. 302,882 8/1989 Choi D32/70

[75] Inventor: Lung W. Choi, Kowloon, Hong Kong

OTHER PUBLICATIONS

Hong Kong Household, 7/83; Steam Iron, MDL OPI 88; p. 66.

[73] Assignee: Goodway Electrical Co., Ltd., Kowloon, Hong Kong

Primary Examiner—Susan J. Lucas
Assistant Examiner—Lavone D. Tabor
Attorney, Agent, or Firm—Shlesinger Arkwright Garvey

[**] Term: 14 Years

[21] Appl. No.: 402,855

[22] Filed: Sep. 6, 1989

[57] CLAIM

The ornamental design for an iron, as shown and described.

[30] Foreign Application Priority Data

Mar. 10, 1989 [GB] United Kingdom 1057762

DESCRIPTION

[52] U.S. Cl. D32/70

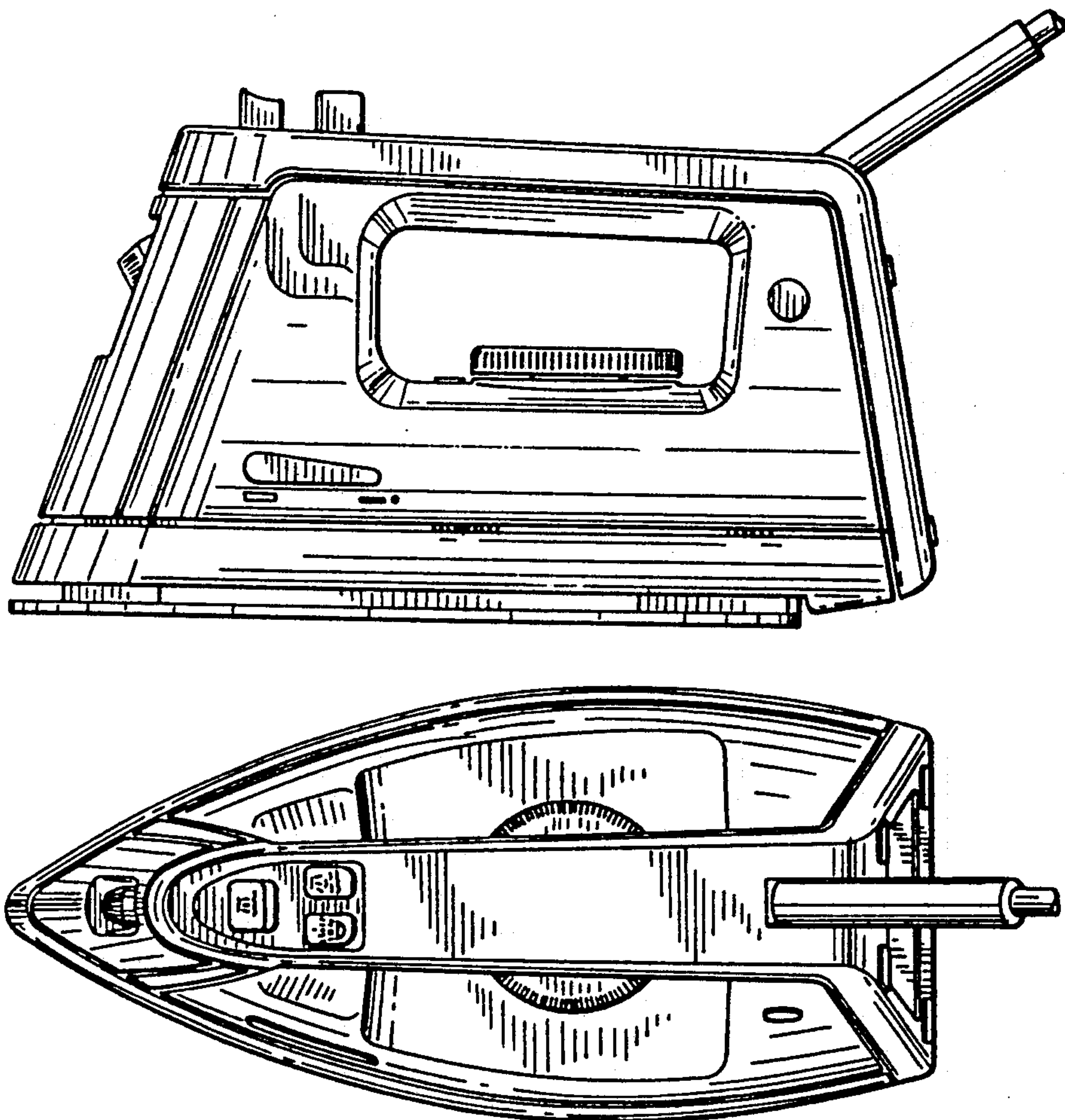
[58] Field of Search D32/68-73;
38/69-71, 74-75, 77.1-77.9, 79, 81-82, 85, 88,
90, 141-142; 219/245-259, 271-273;
248/117.1-117.7

FIG. 1 is a left side elevational view of an iron showing my new design;
FIG. 2 is a right side elevational view thereof;
FIG. 3 is a top plan view thereof;
FIG. 4 is a bottom plan view thereof;
FIG. 5 is a front elevational view thereof; and
FIG. 6 is a rear elevational thereof.

[56] References Cited

U.S. PATENT DOCUMENTS

D. 240,997 8/1976 Julkenbeck D32/70



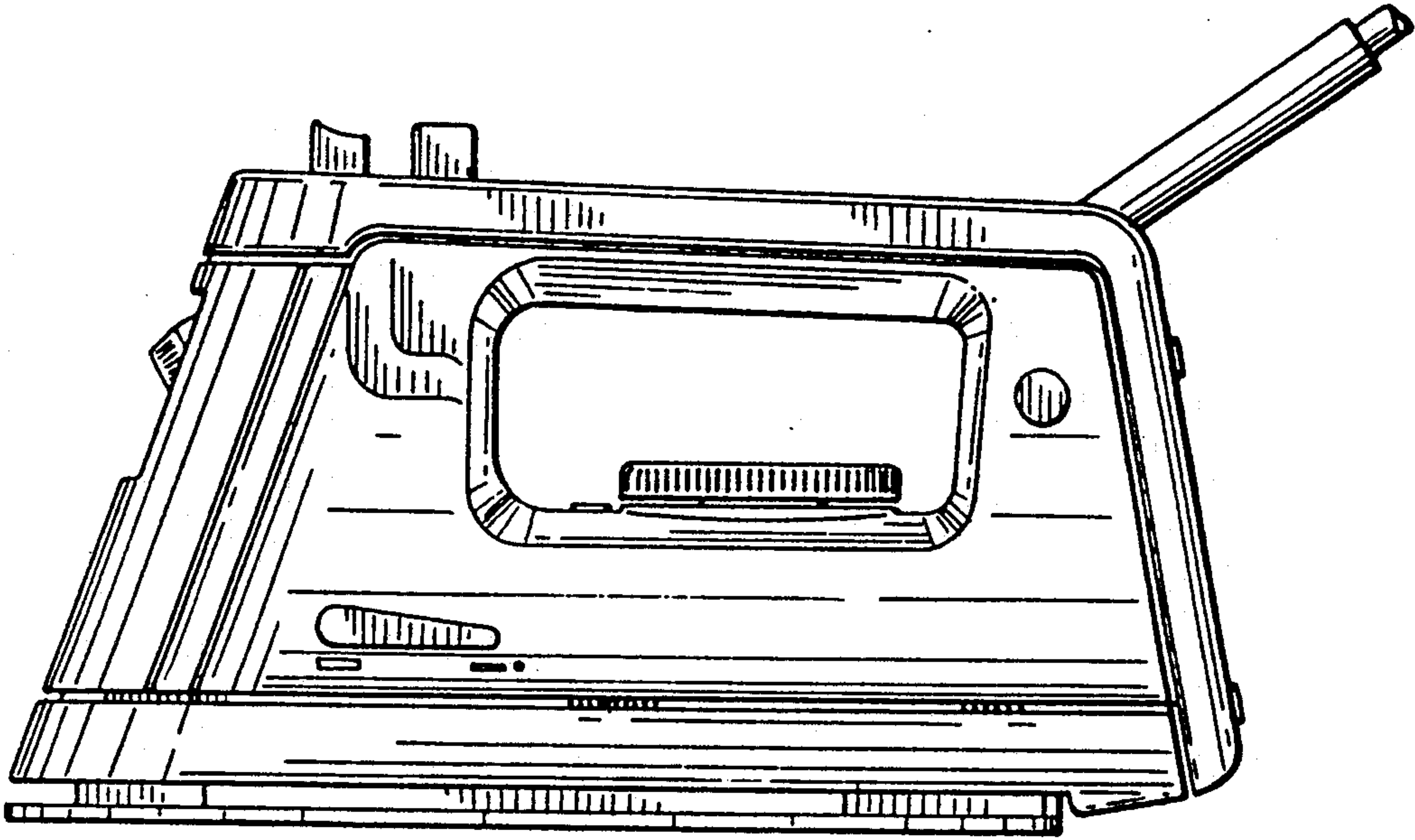


FIG. 1

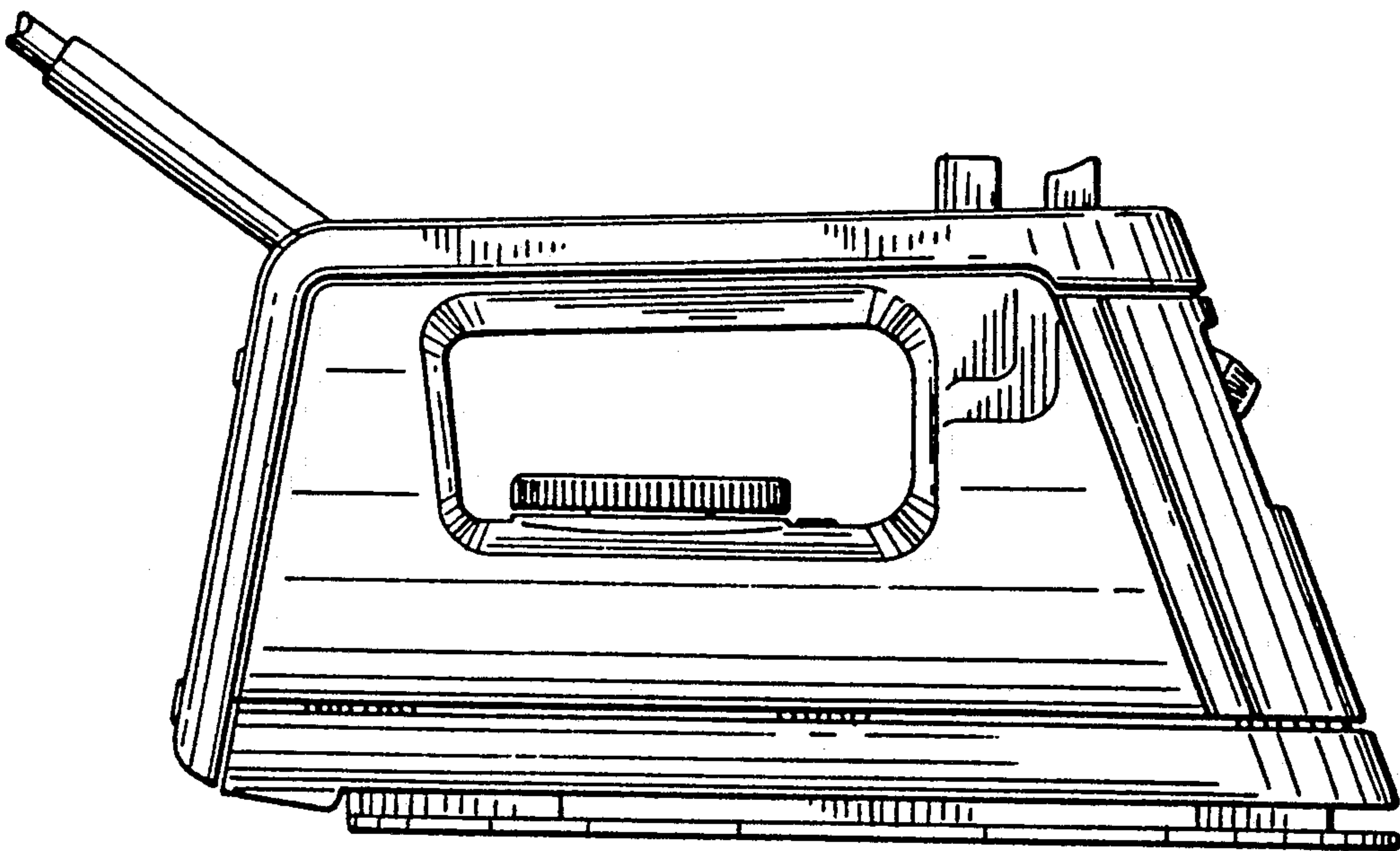


FIG. 2

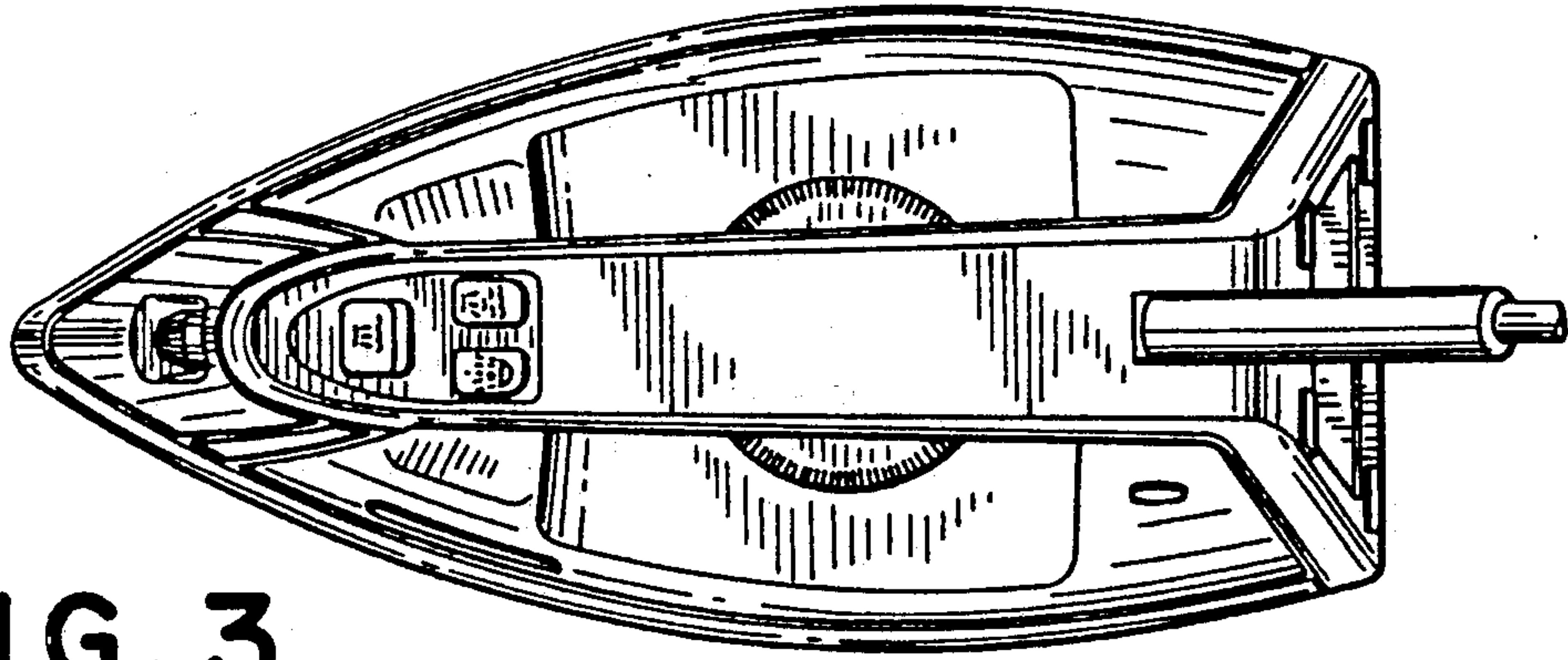


FIG. 3

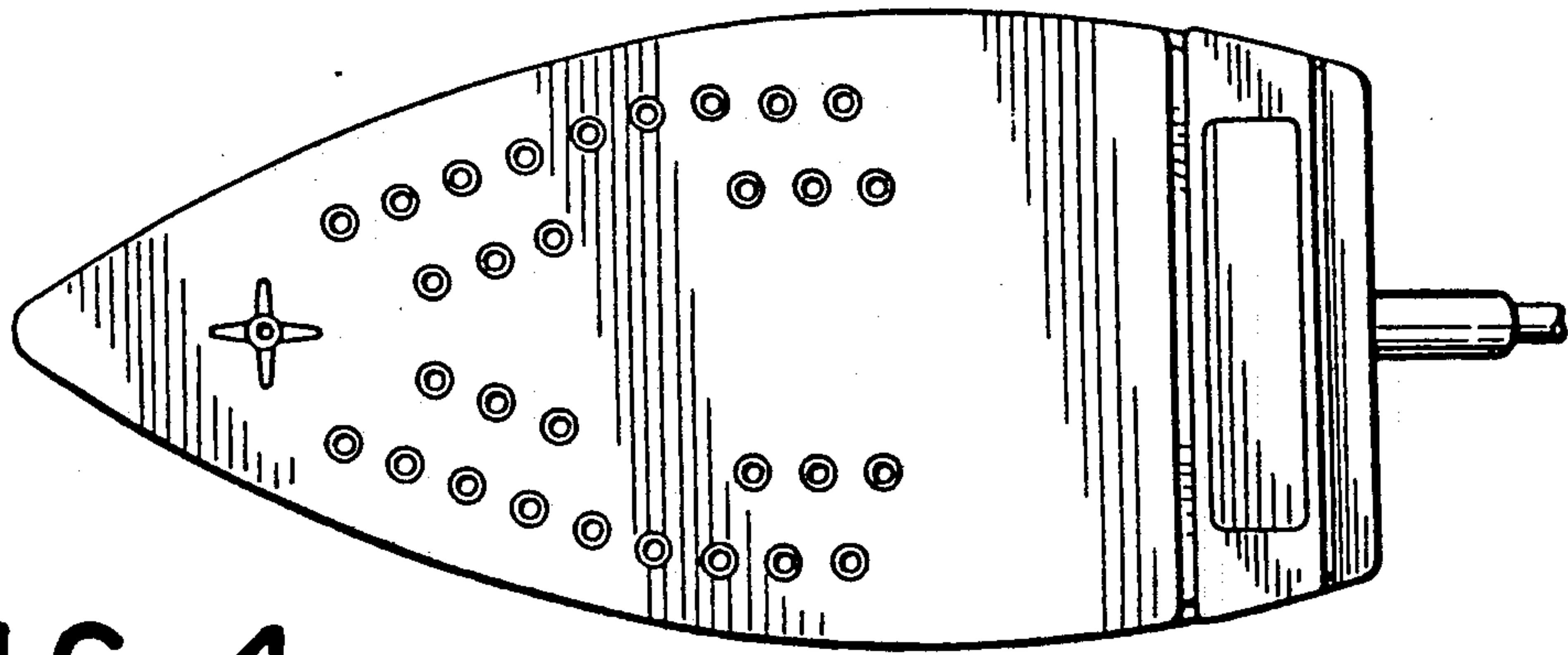


FIG. 4

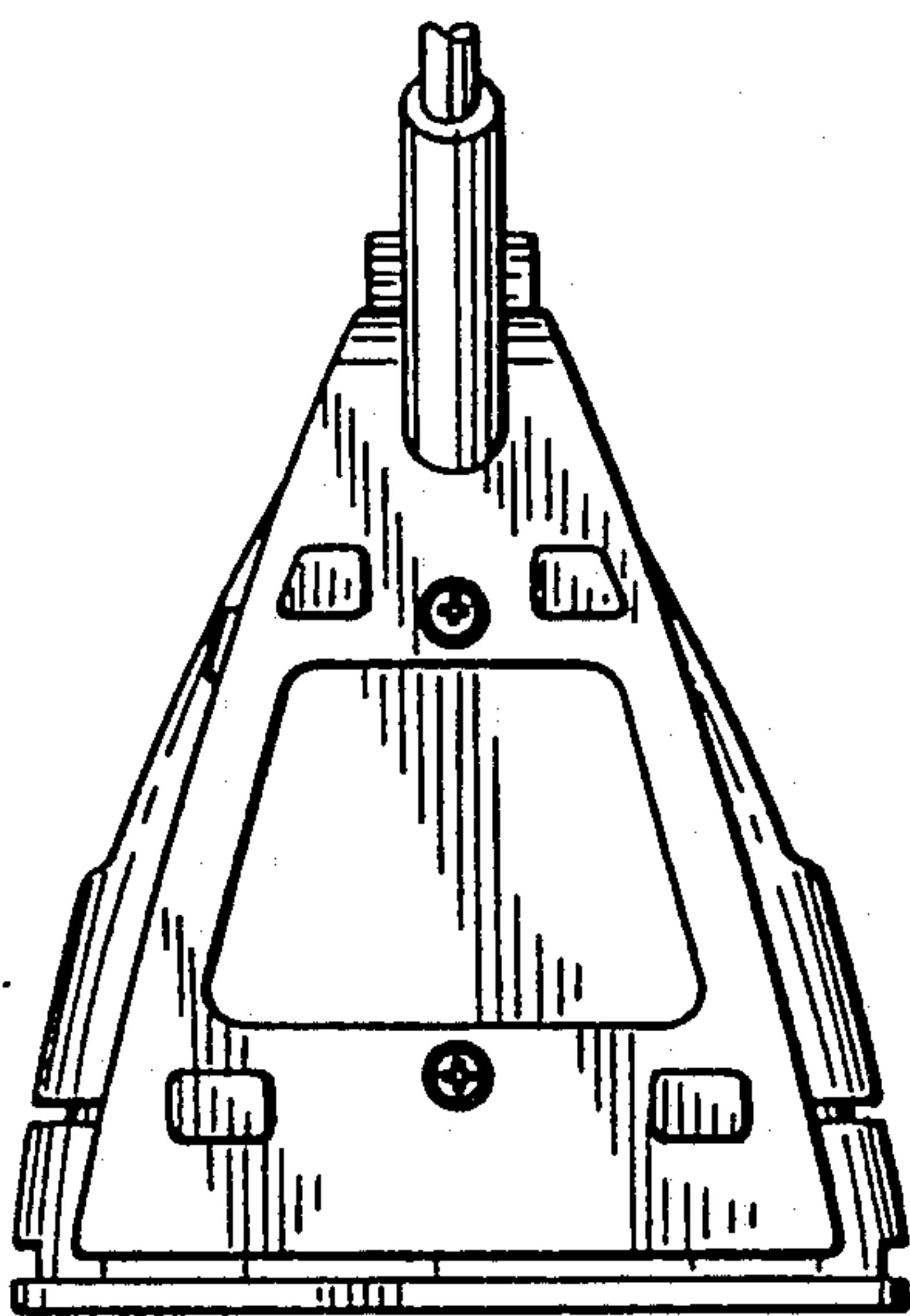


FIG. 6

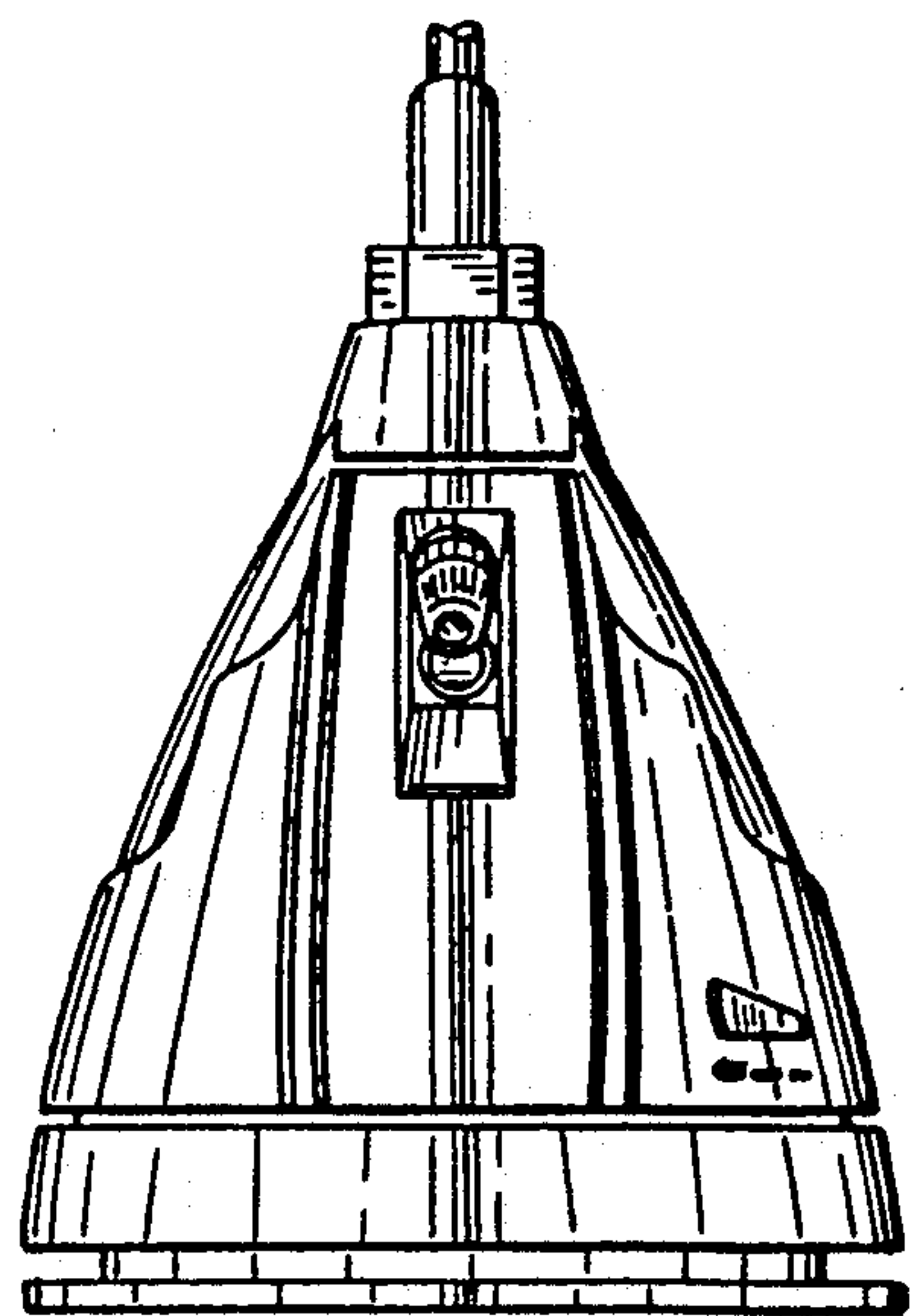


FIG. 5