

[54] STEAM GENERATING MACHINE

[75] Inventors: Ulrich Reiferscheid, Ravensburg, Fed. Rep. of Germany; Robin H. Spratt, Tyne & Wear, England

[73] Assignee: Black & Decker Inc., Newark, Del.

[**] Term: 14 Years

[21] Appl. No.: 258,694

[22] Filed: Oct. 17, 1988

4,646,451 3/1987 Nakao et al. .
4,835,364 5/1989 Wilkins .
4,855,568 8/1989 Wilkins 219/271
4,857,703 8/1989 Wilkins 219/271

FOREIGN PATENT DOCUMENTS

1038218 11/1986 United Kingdom .

Primary Examiner—A. Hugo Word
Assistant Examiner—Paula Allen
Attorney, Agent, or Firm—Dennis A. Dearing; Charles E. Yocum; Edward D. C. Bartlett

Related U.S. Application Data

[63] Continuation-in-part of Ser. No. 174,318, Mar. 25, 1988, abandoned.

[30] Foreign Application Priority Data

Sep. 28, 1987 [GB] United Kingdom 1045199
Apr. 26, 1988 [GB] United Kingdom 1050273

[52] U.S. Cl. D32/17; D8/29.1

[58] Field of Search D32/1, 9, 17, 18, 33, D32/68, 69, 70; 239/289; D23/332; D28/13; 219/245, 271; D8/29.1; 61, 62, 68, 69

[56] References Cited

U.S. PATENT DOCUMENTS

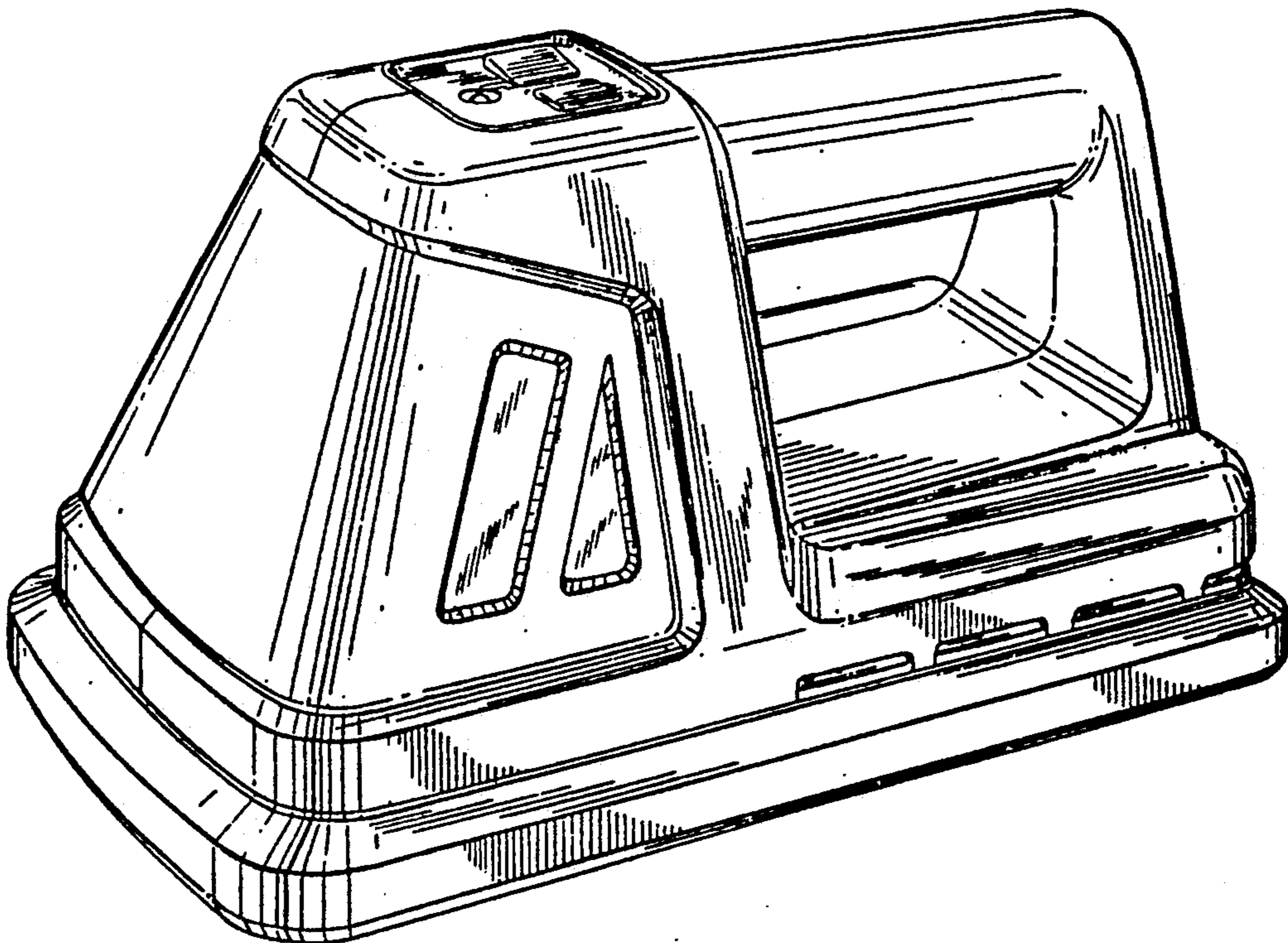
D. 283,744 5/1986 Watanabe et al. D32/69
D. 294,417 2/1988 Schmitz D32/70
1,142,769 6/1915 Block 219/245
4,532,411 7/1985 Terrailon et al. 219/245
4,583,260 4/1986 Zai 219/245

[57] CLAIM

The ornamental design for a steam generating machine, as shown and described.

DESCRIPTION

FIG. 1 is a perspective view of a steam generating machine showing our new design;
FIG. 2 is a side elevational view thereof;
FIG. 3 is a front elevational view thereof;
FIG. 4 is a rear elevational view thereof;
FIG. 5 is a top plan view thereof;
FIG. 6 is a bottom plan view thereof.
FIG. 7 is a perspective view of the second embodiment of a steam generating machine showing our new design;
FIG. 8 is a side elevational view thereof;
FIG. 9 is a front elevational view thereof;
FIG. 10 is a rear elevational view thereof;
FIG. 11 is a top plan view thereof; and
FIG. 12 is a bottom plan view thereof.



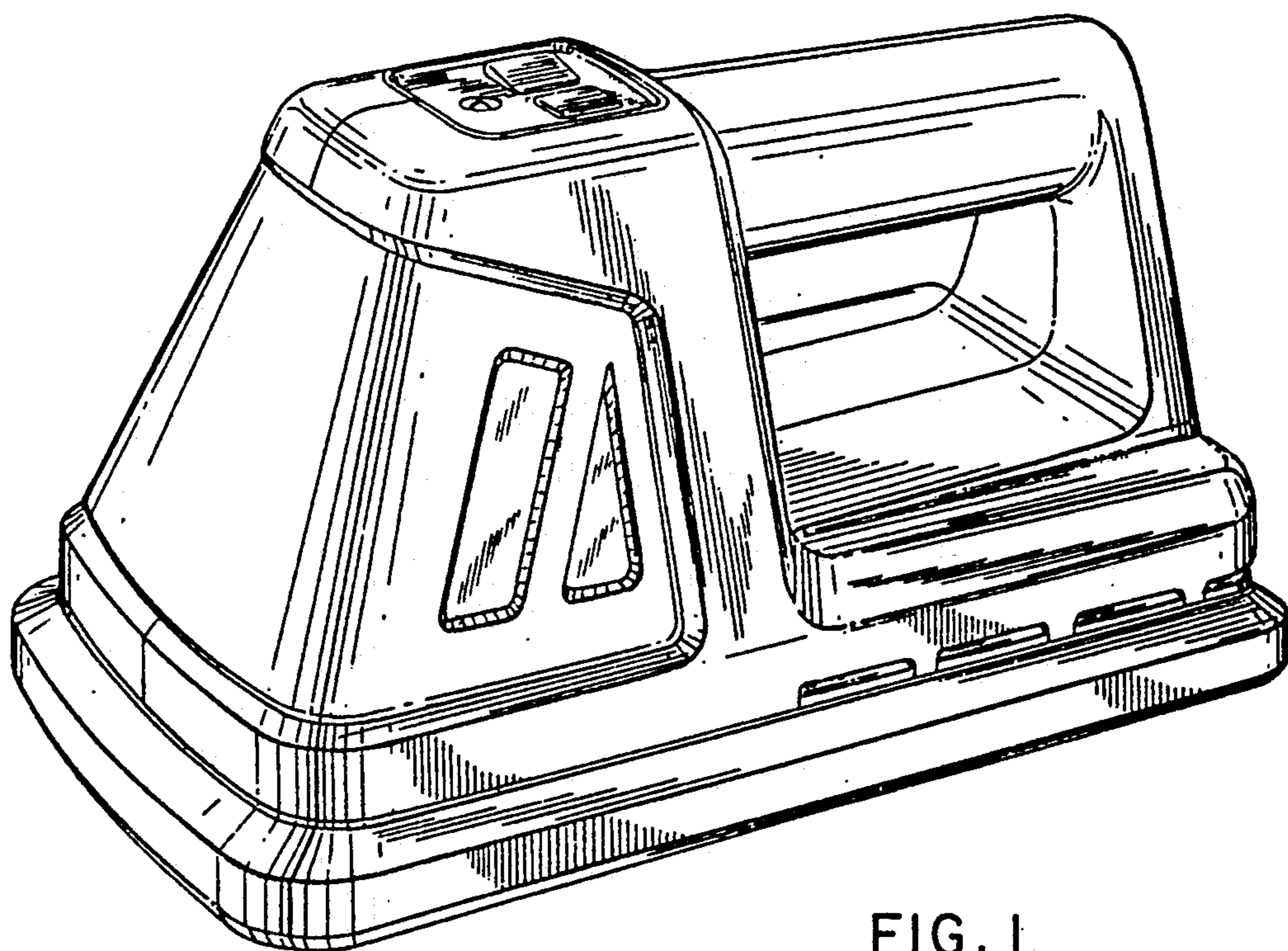


FIG. 1

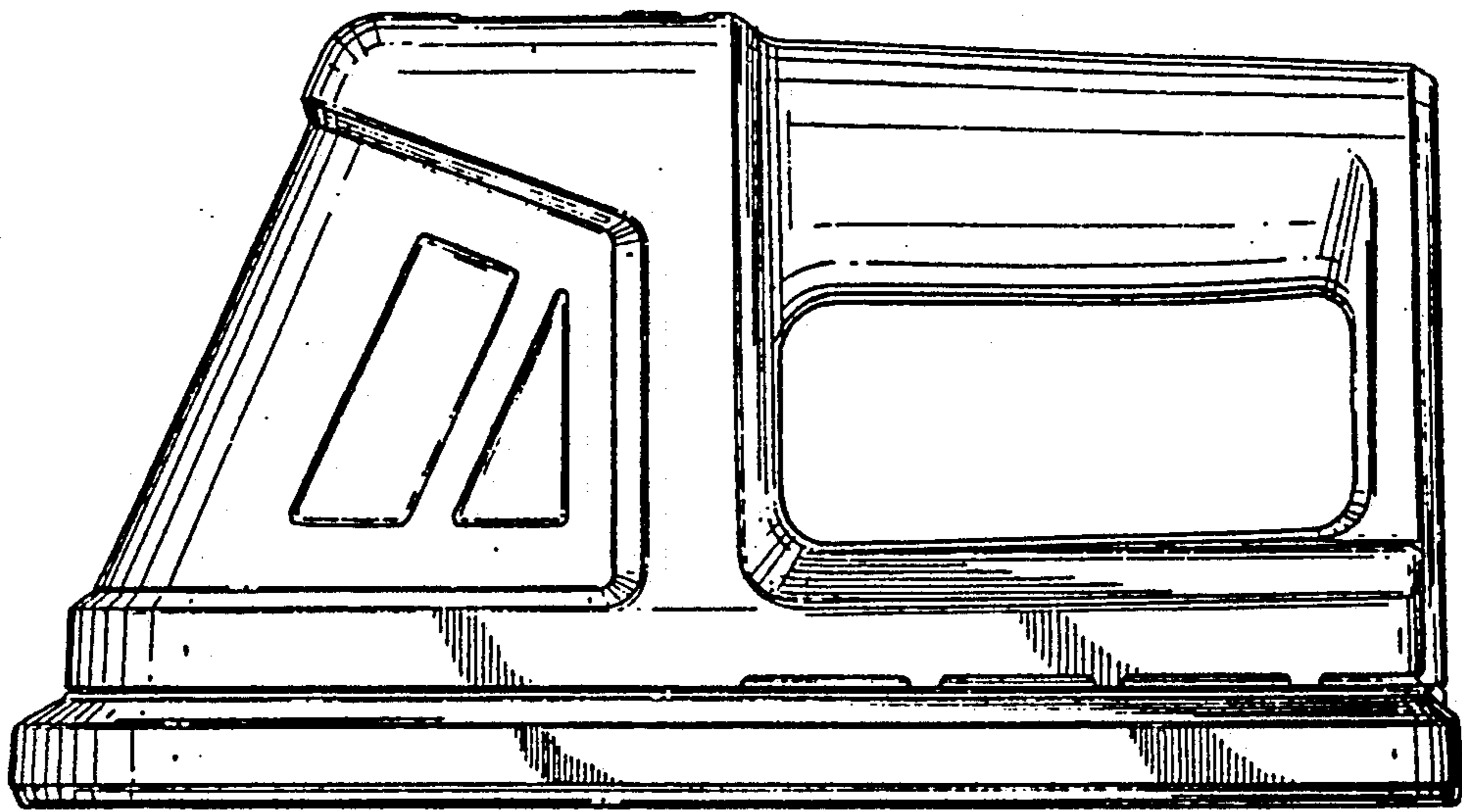


FIG. 2

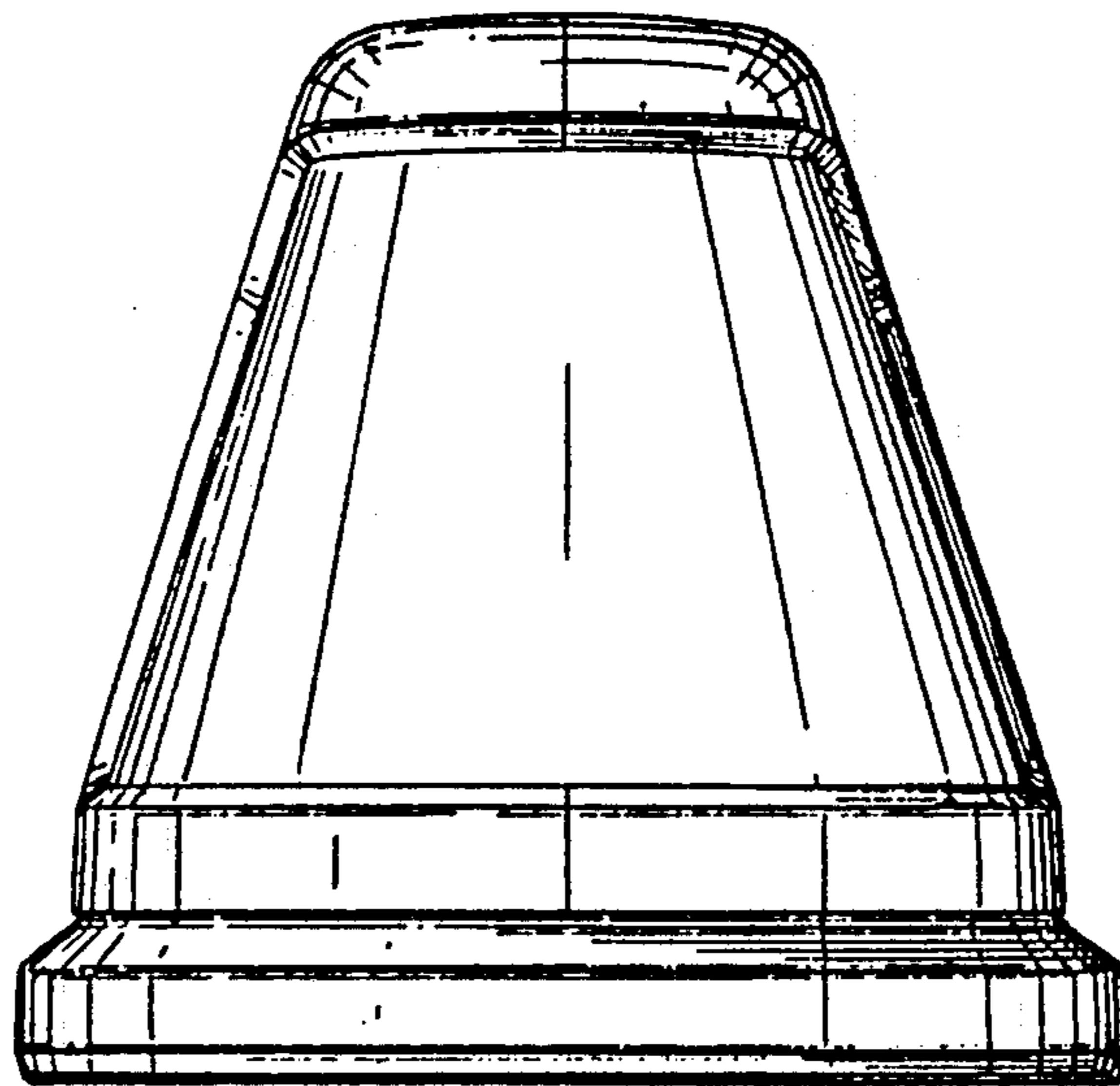


FIG. 3

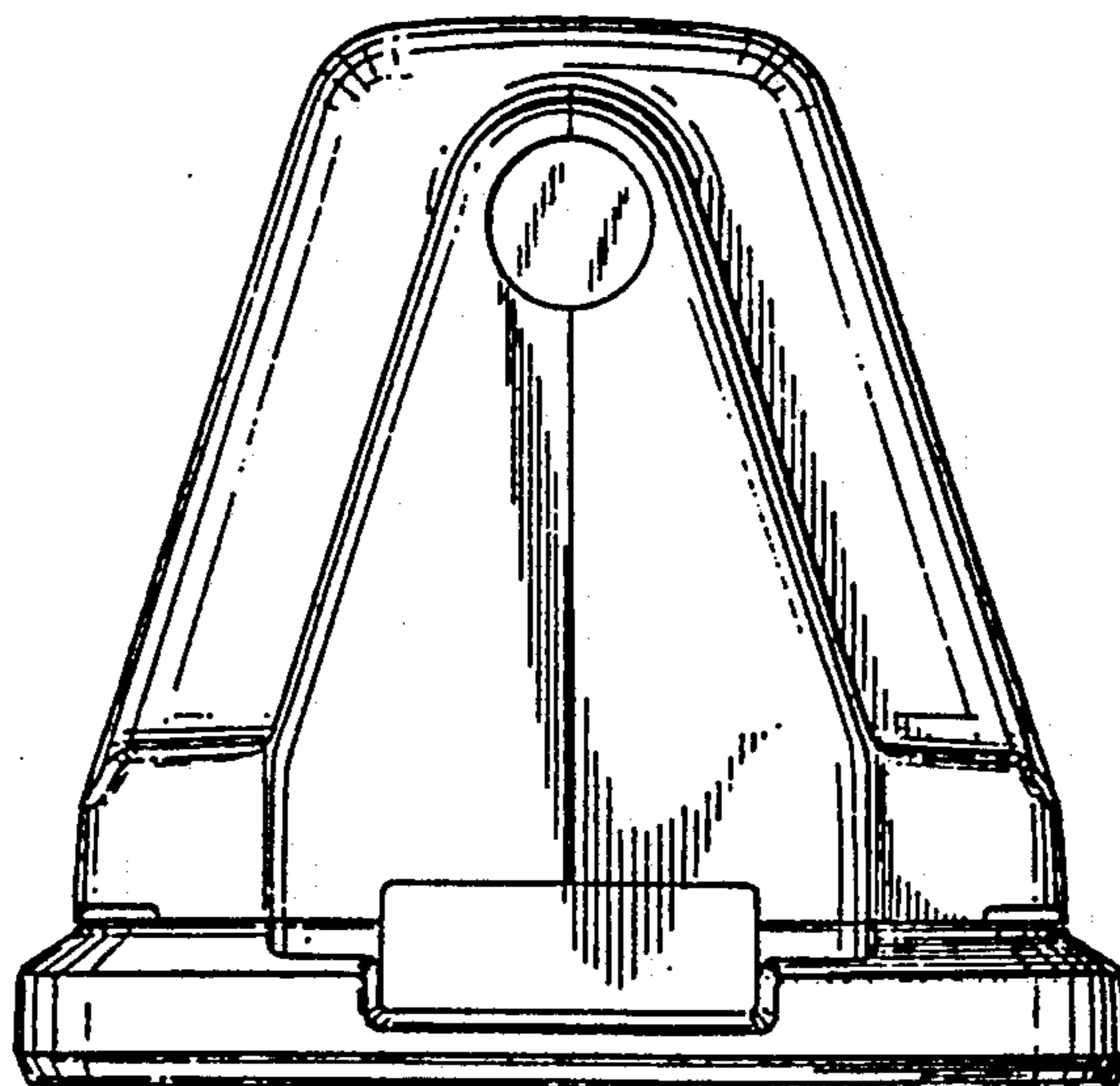


FIG. 4

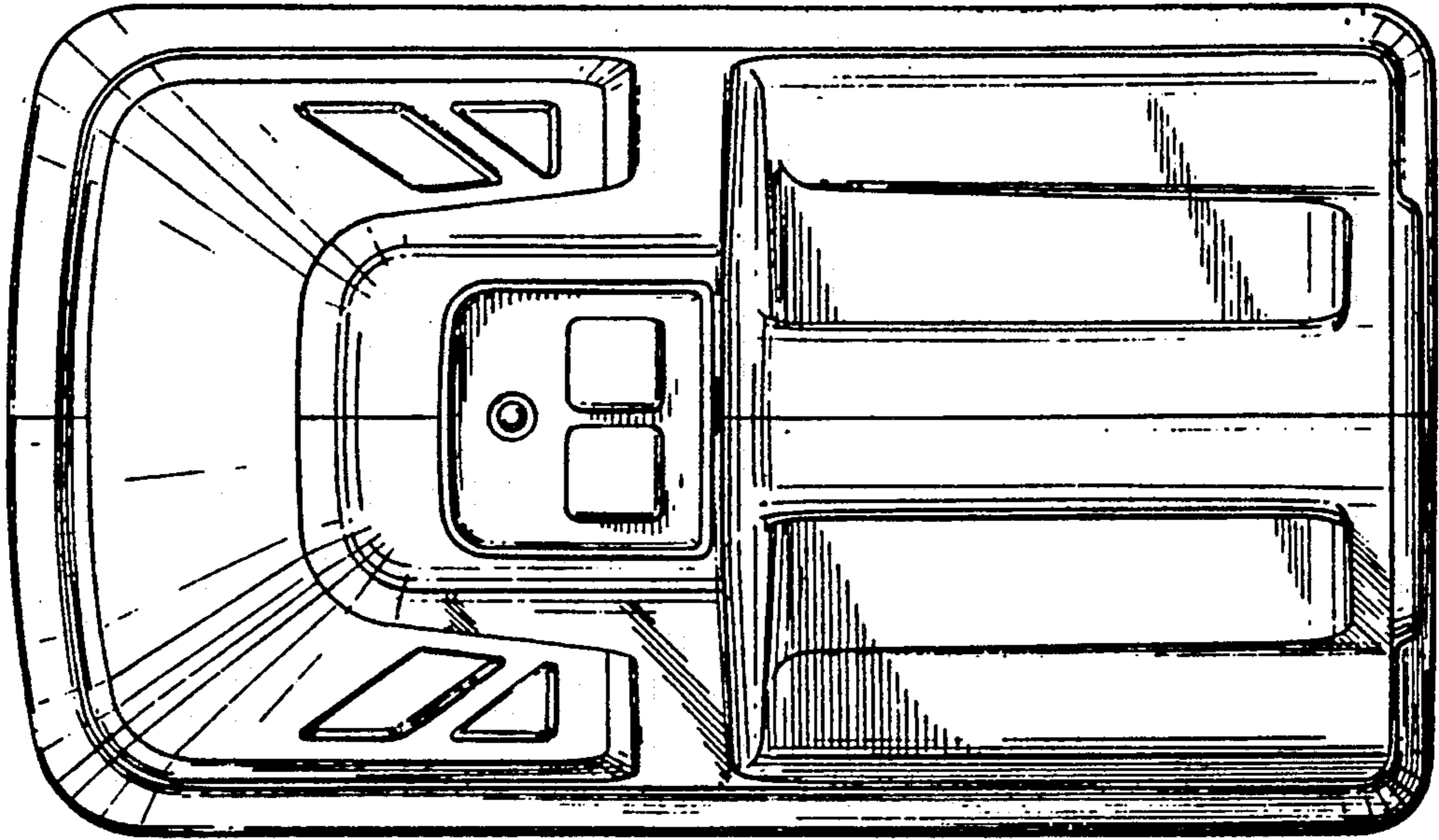


FIG. 5

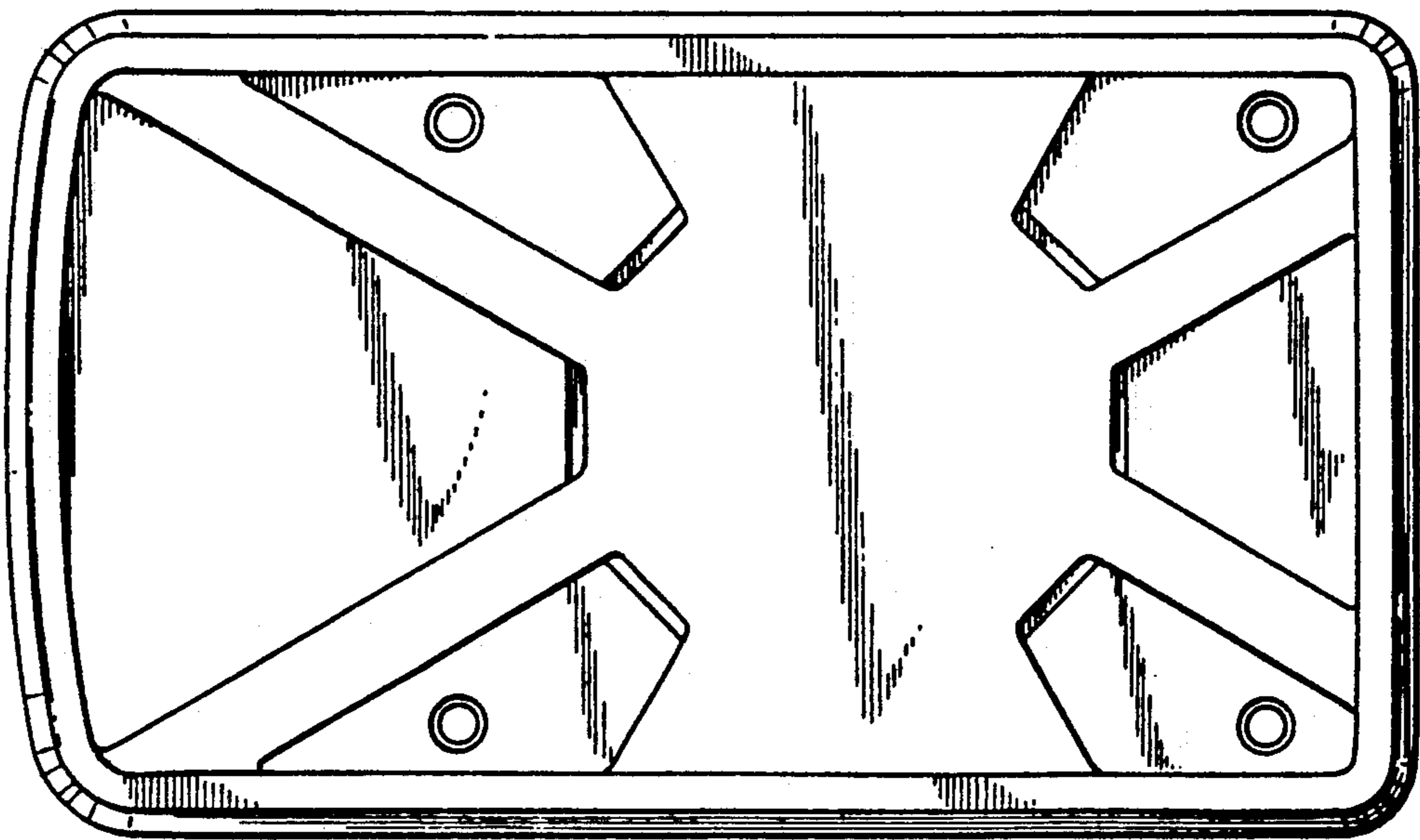


FIG. 6

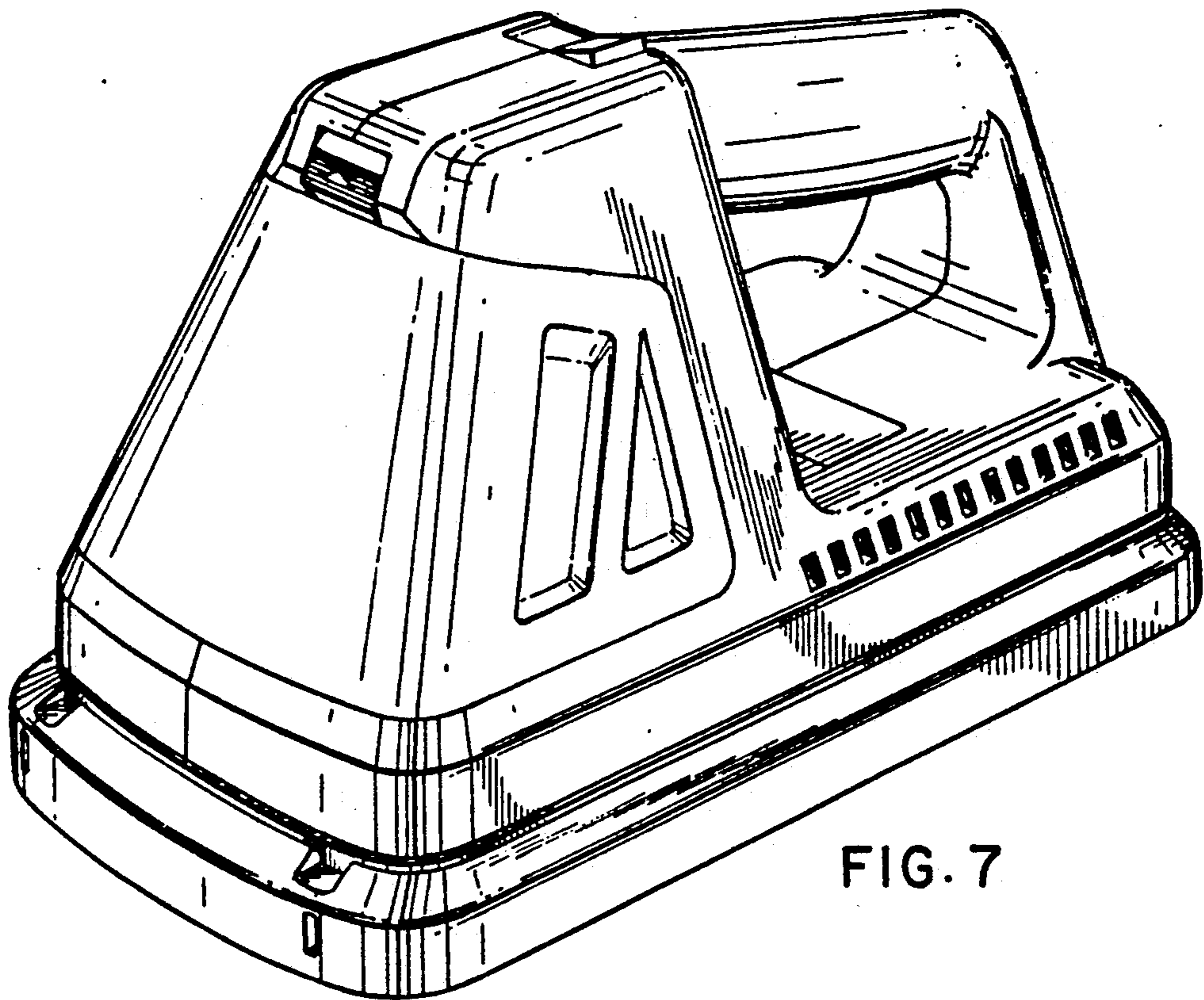


FIG. 7

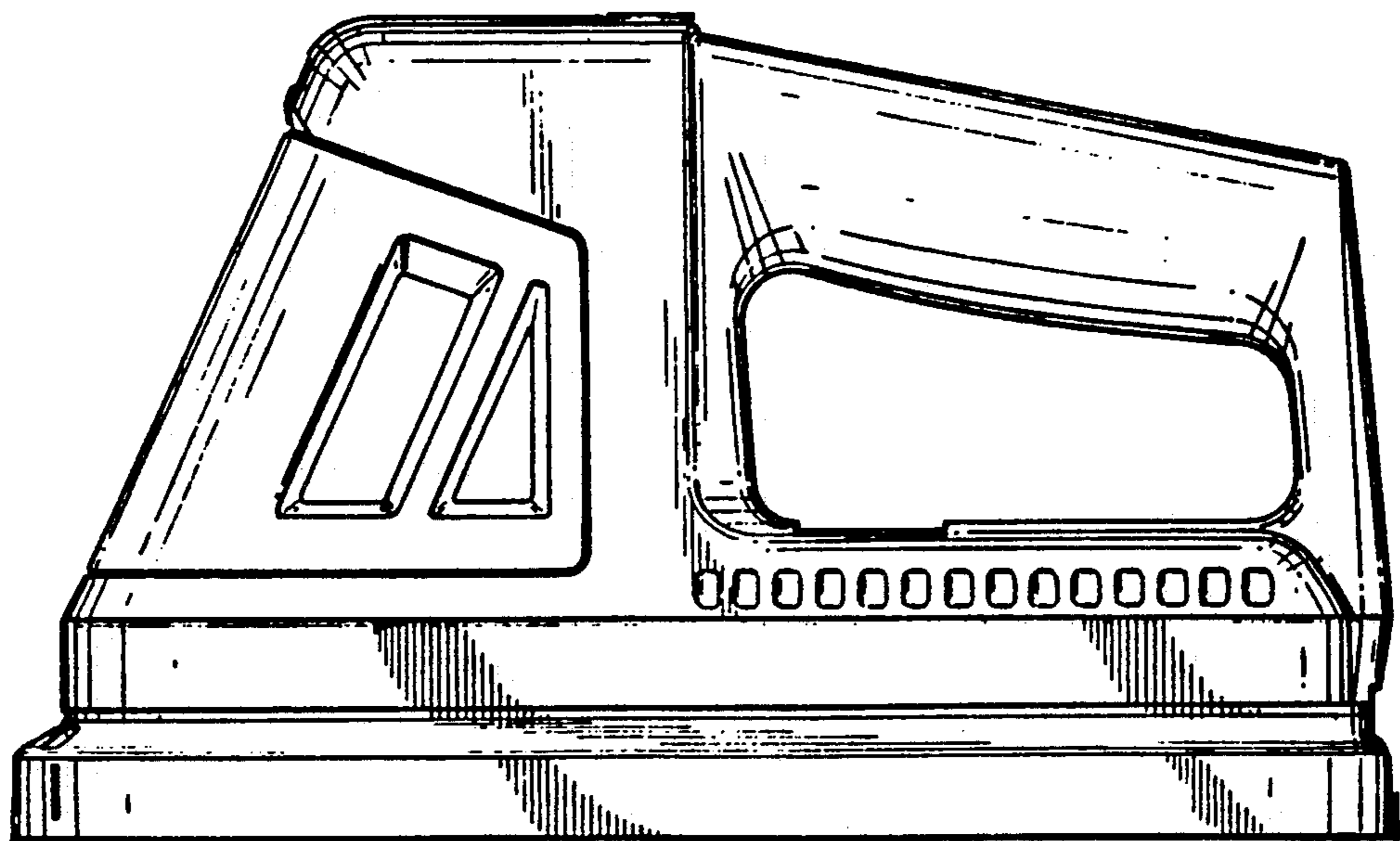


FIG. 8

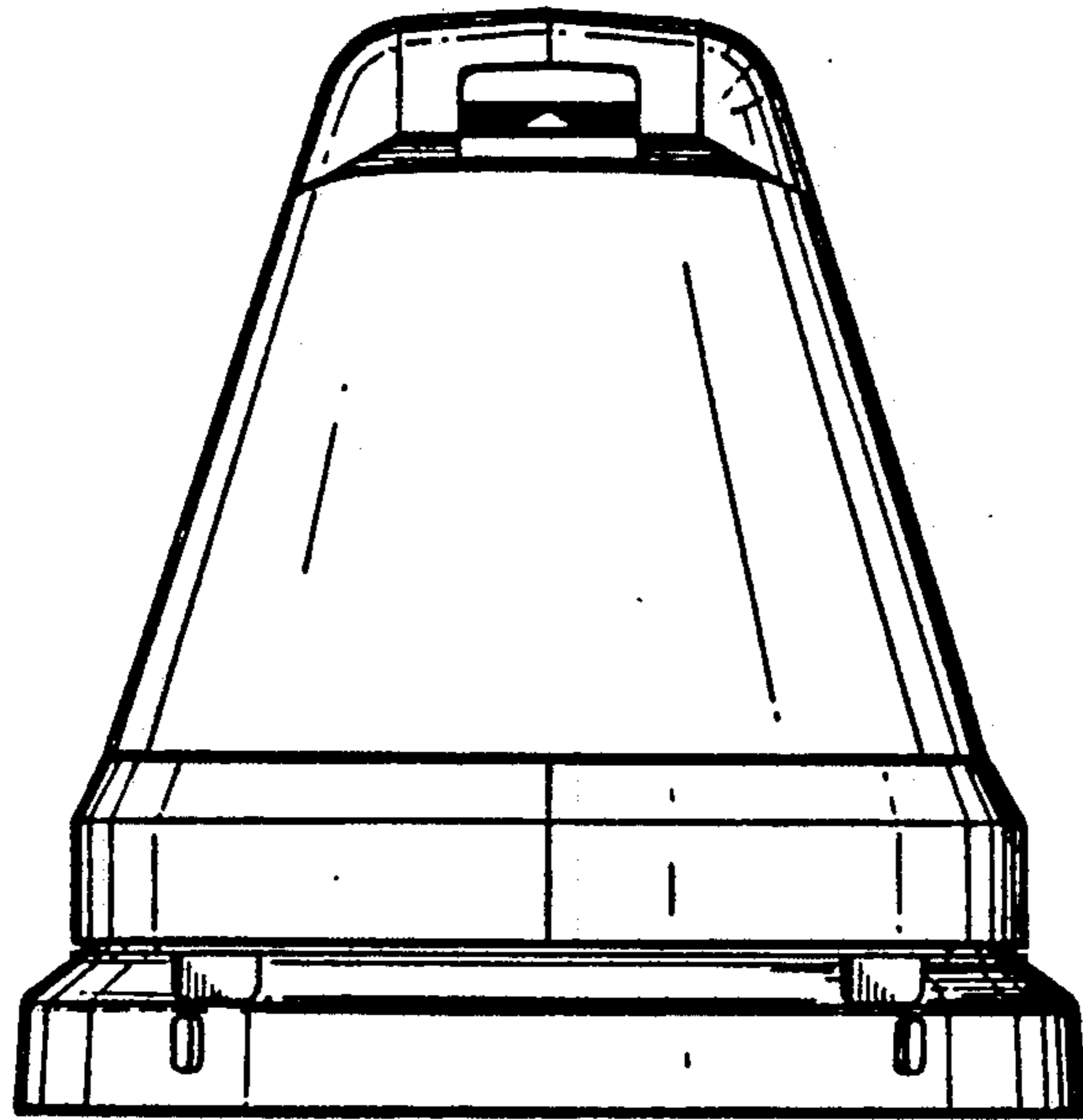


FIG. 9

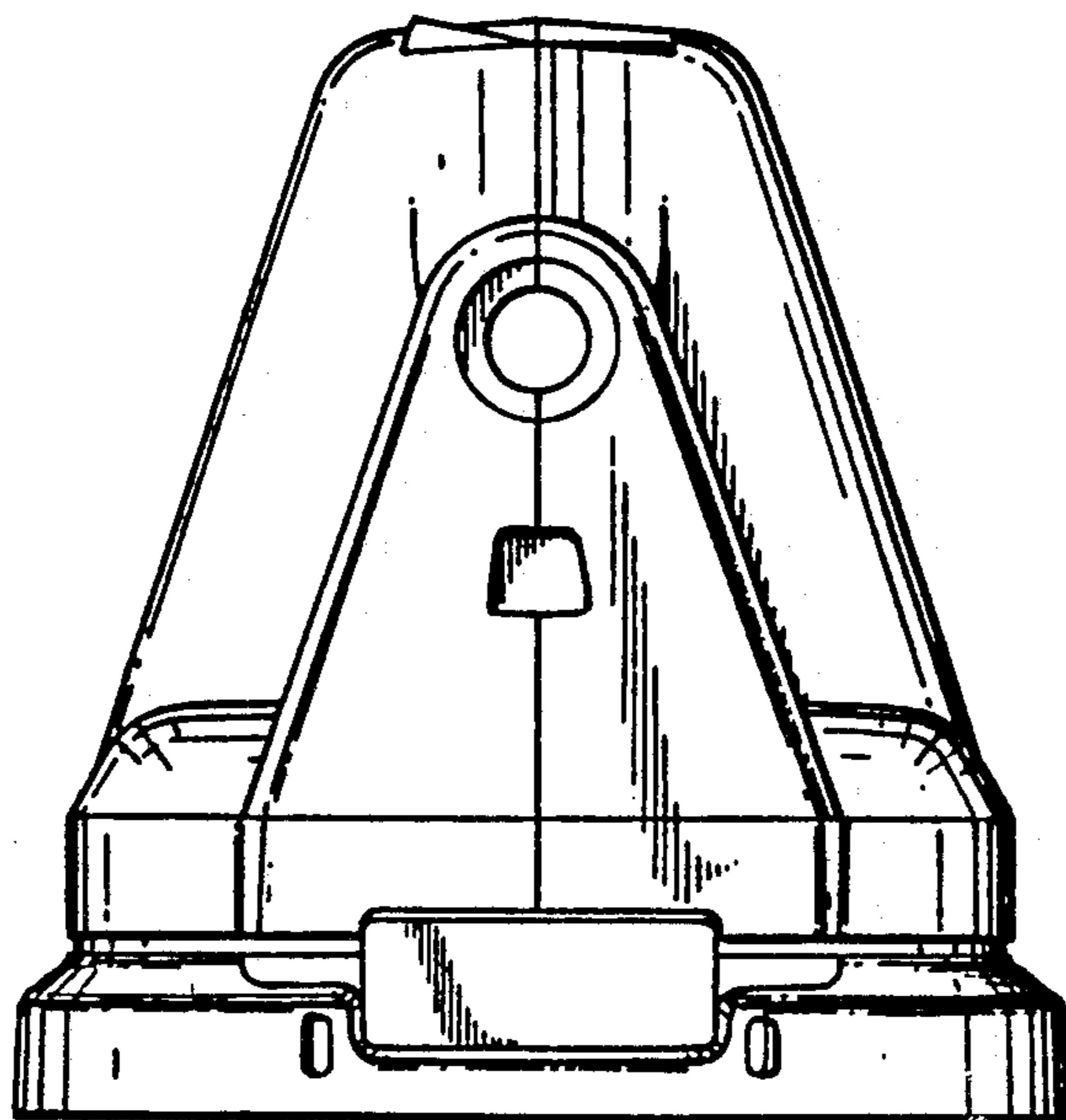


FIG. 10

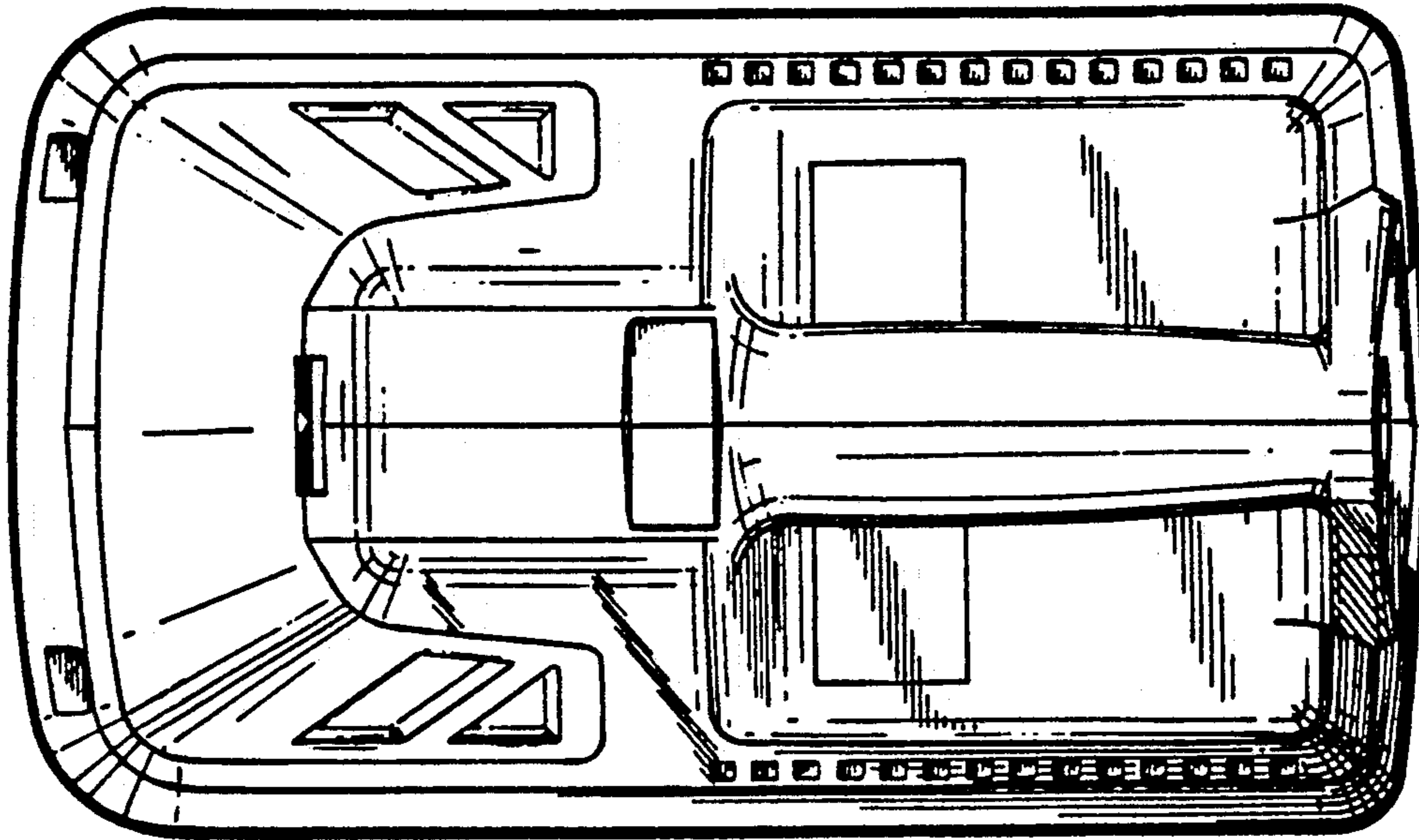


FIG. 11

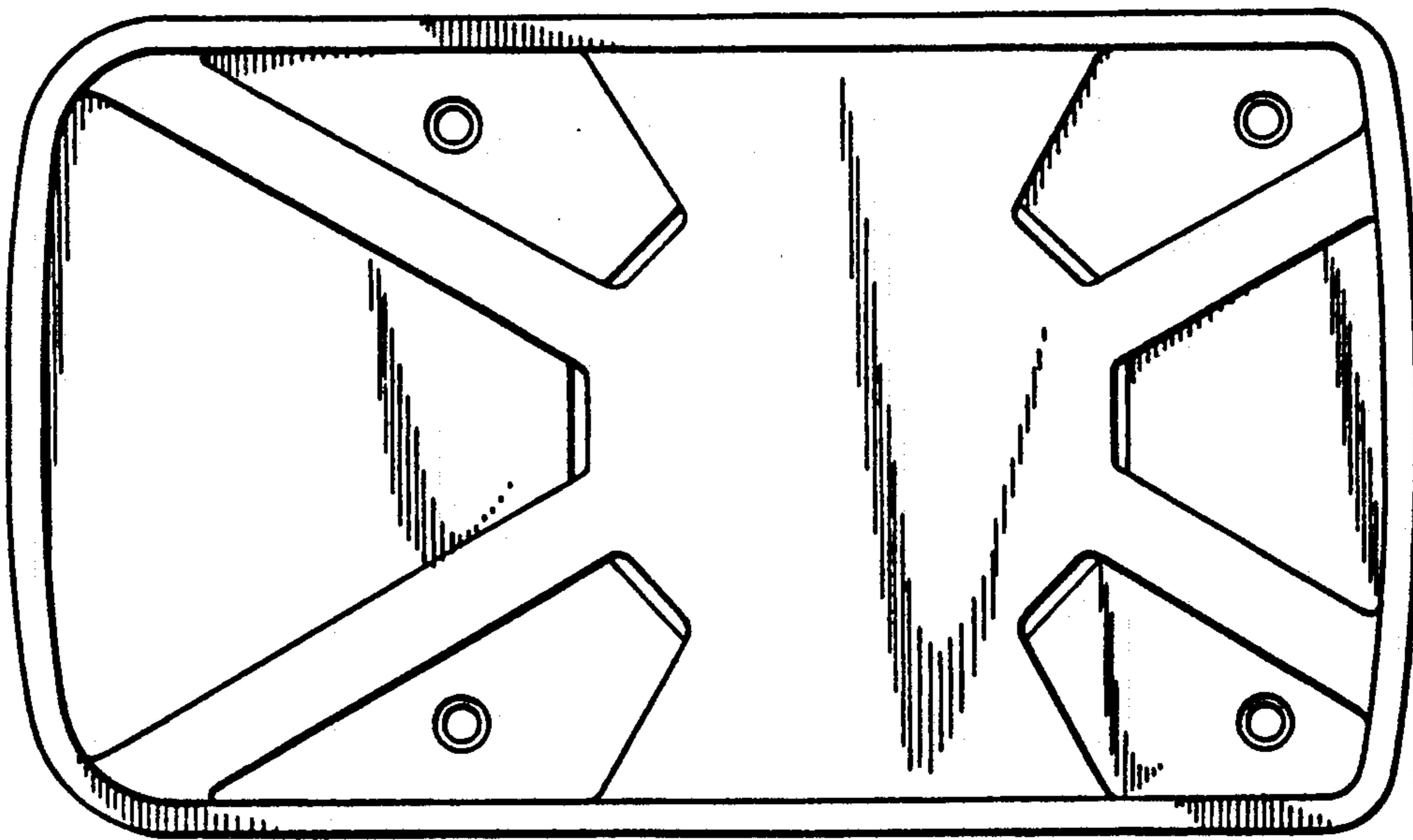


FIG. 12