

[54] COMBINED OUTDOOR FLOODLIGHT AND PHOTO ELECTRIC CONTROL THEREFOR

[75] Inventor: Giovanni De Candia, Germantown, Tenn.

[73] Assignee: FL Industries, Inc., Livingston, N.J.

[**] Term: 14 Years

[21] Appl. No.: 151,244

[22] Filed: Feb. 1, 1988

[52] U.S. Cl. D26/63

[58] Field of Search D26/60-65; 362/147, 269, 275, 287, 418, 419, 427, 428

[56] References Cited

U.S. PATENT DOCUMENTS

| | | | |
|------------|--------|---------------------|-----------|
| D. 269,553 | 6/1983 | Johnson et al. | D26/63 |
| D. 297,670 | 9/1988 | Douenias | D26/63 |
| D. 301,634 | 6/1989 | De Candia | D26/63 |
| D. 301,754 | 6/1989 | De Candia | D26/63 |
| 4,380,792 | 4/1983 | Terrell | D26/63 X |
| 4,587,602 | 5/1986 | Dean et al. | 362/269 X |

OTHER PUBLICATIONS

Heathkit Catalog, p. 93, outdoor lighting fixture.

Primary Examiner—Susan J. Lucas

Attorney, Agent, or Firm—Elliot M. Olstein; Raymond J. Lillie

[57] CLAIM

The ornamental design for a combined outdoor floodlight and photo electric control therefor, as shown and described.

DESCRIPTION

FIG. 1 is a front elevational view of a combined outdoor floodlight and photo electric control therefor showing my new design;

FIG. 2 is a top plan view thereof;

FIG. 3 is a rear elevational view thereof;

FIG. 4 is a left side elevational view thereof, the right side being a mirror image thereof;

FIG. 5 is a left side elevational view thereof, the right side being a mirror image.

FIG. 6 is a perspective view taken from the front, side, and bottom of the combined outdoor floodlight and photoelectric control therefor.

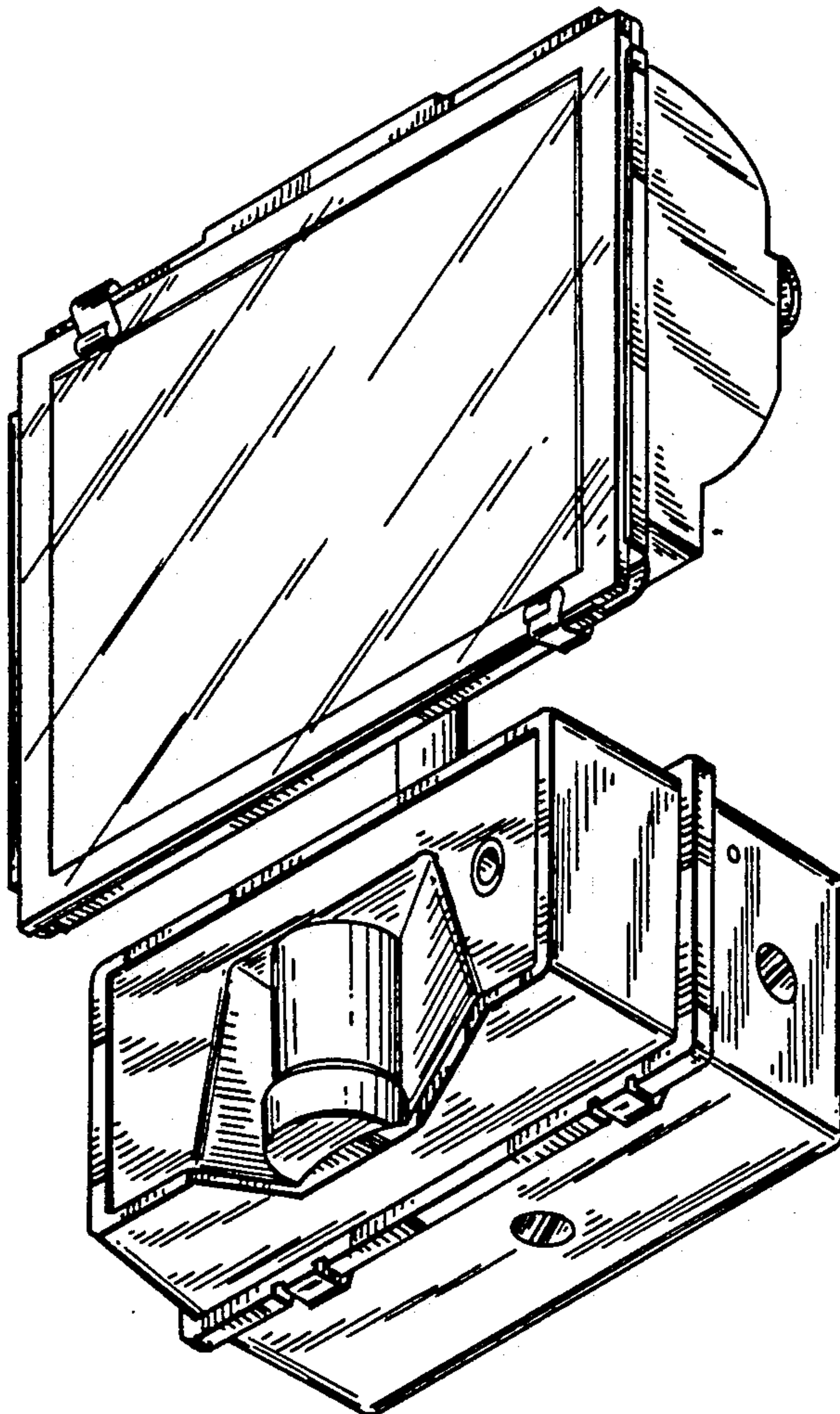


FIG. 1

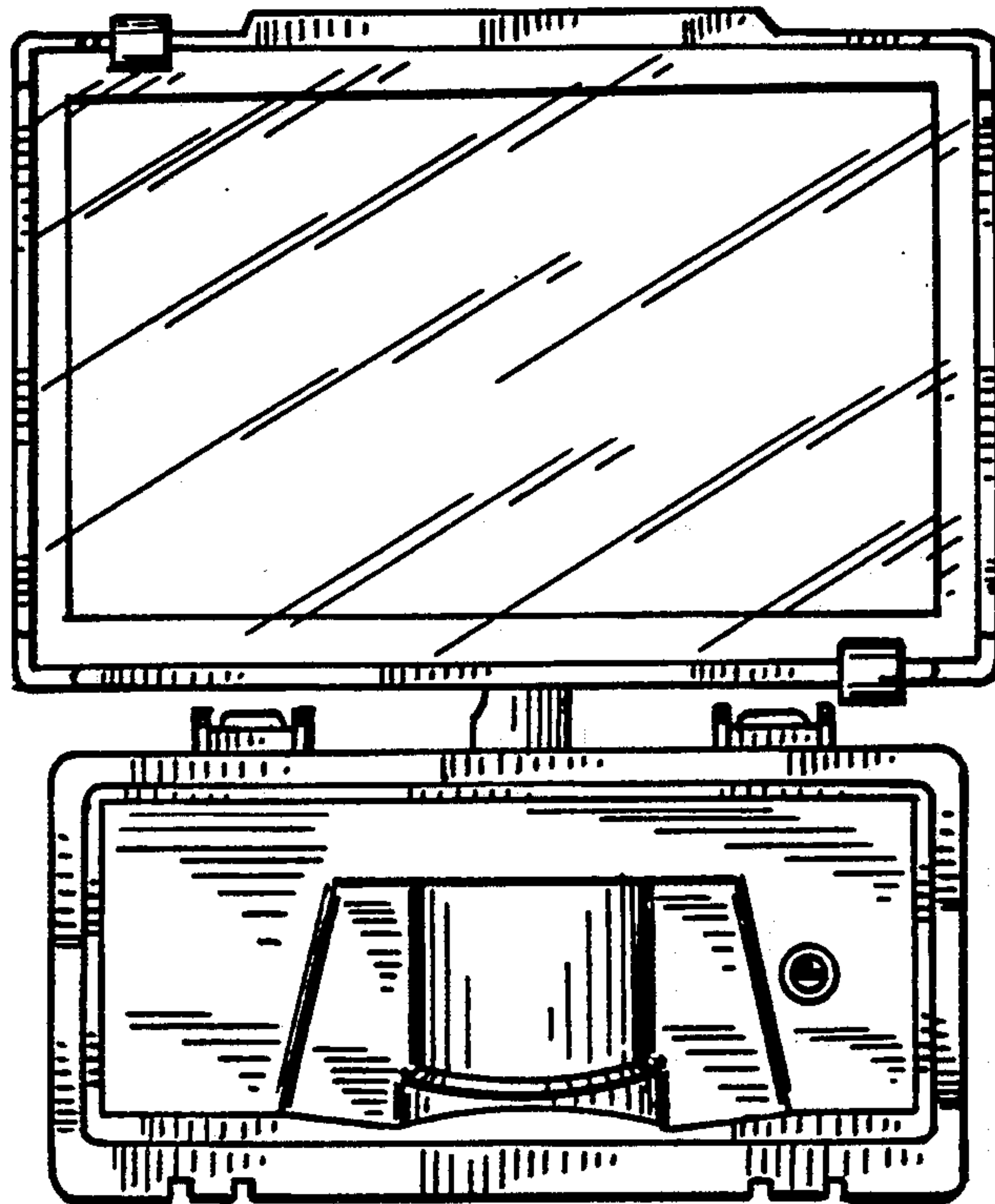


FIG. 2

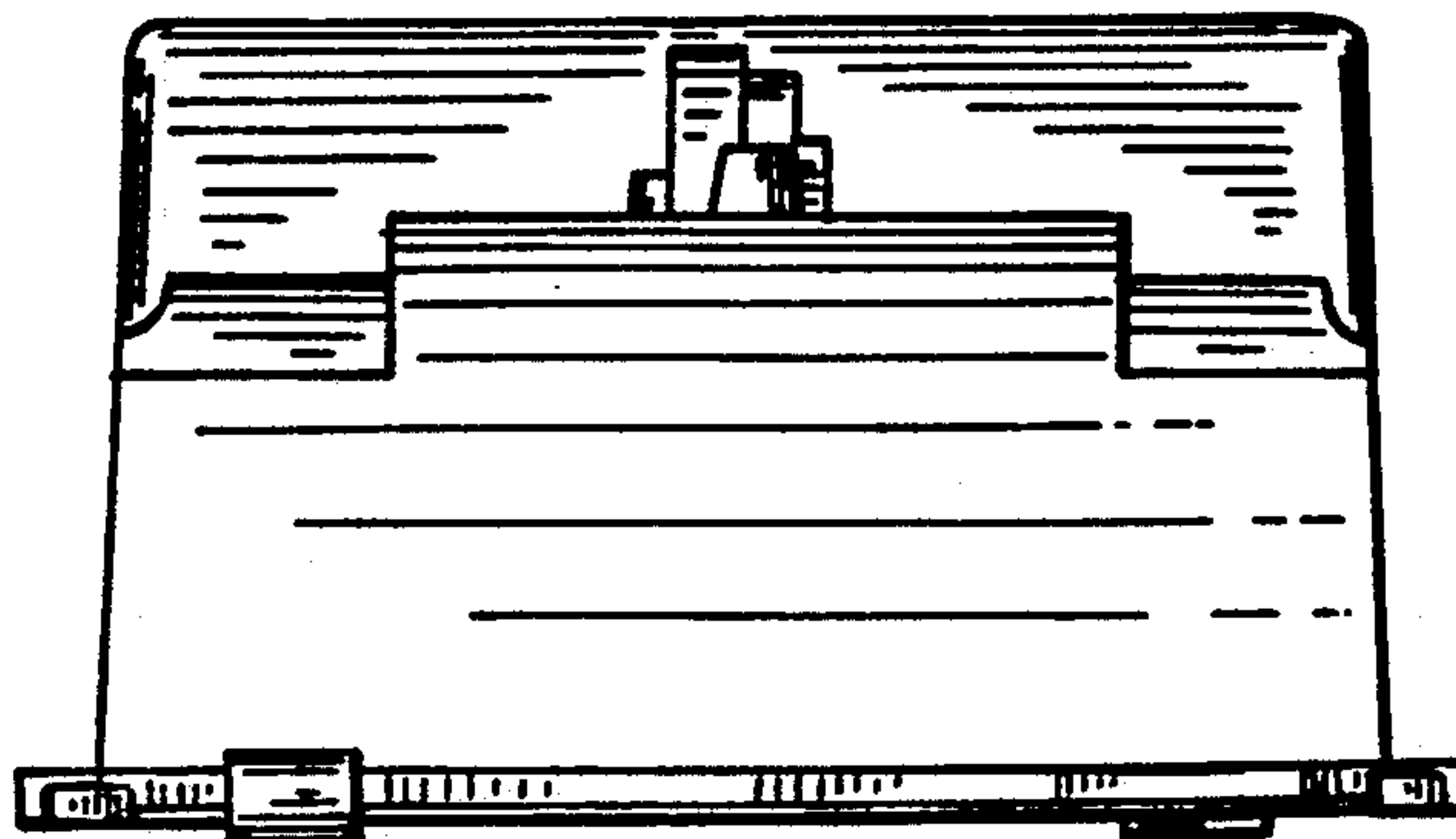


FIG. 3

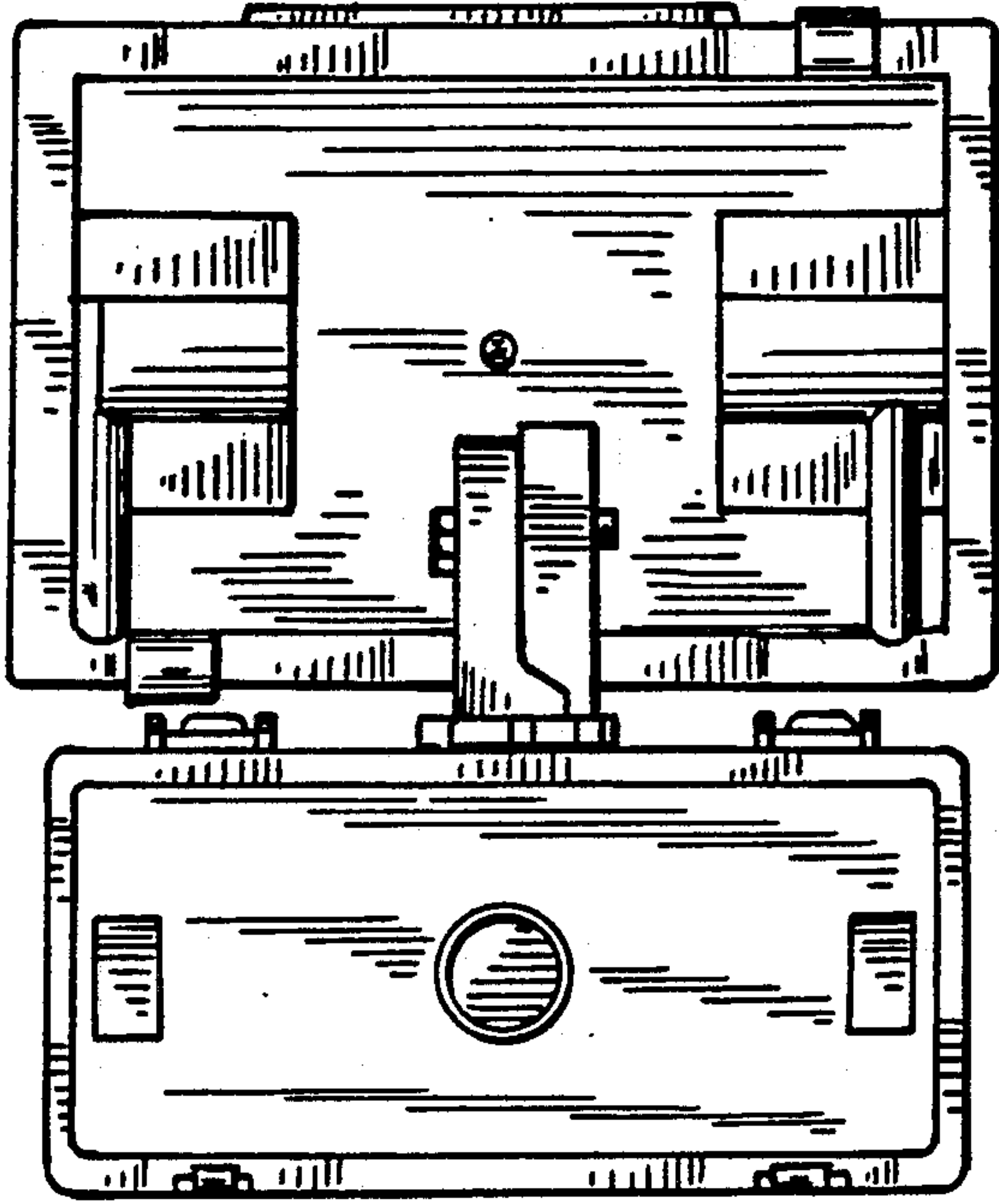


FIG. 4

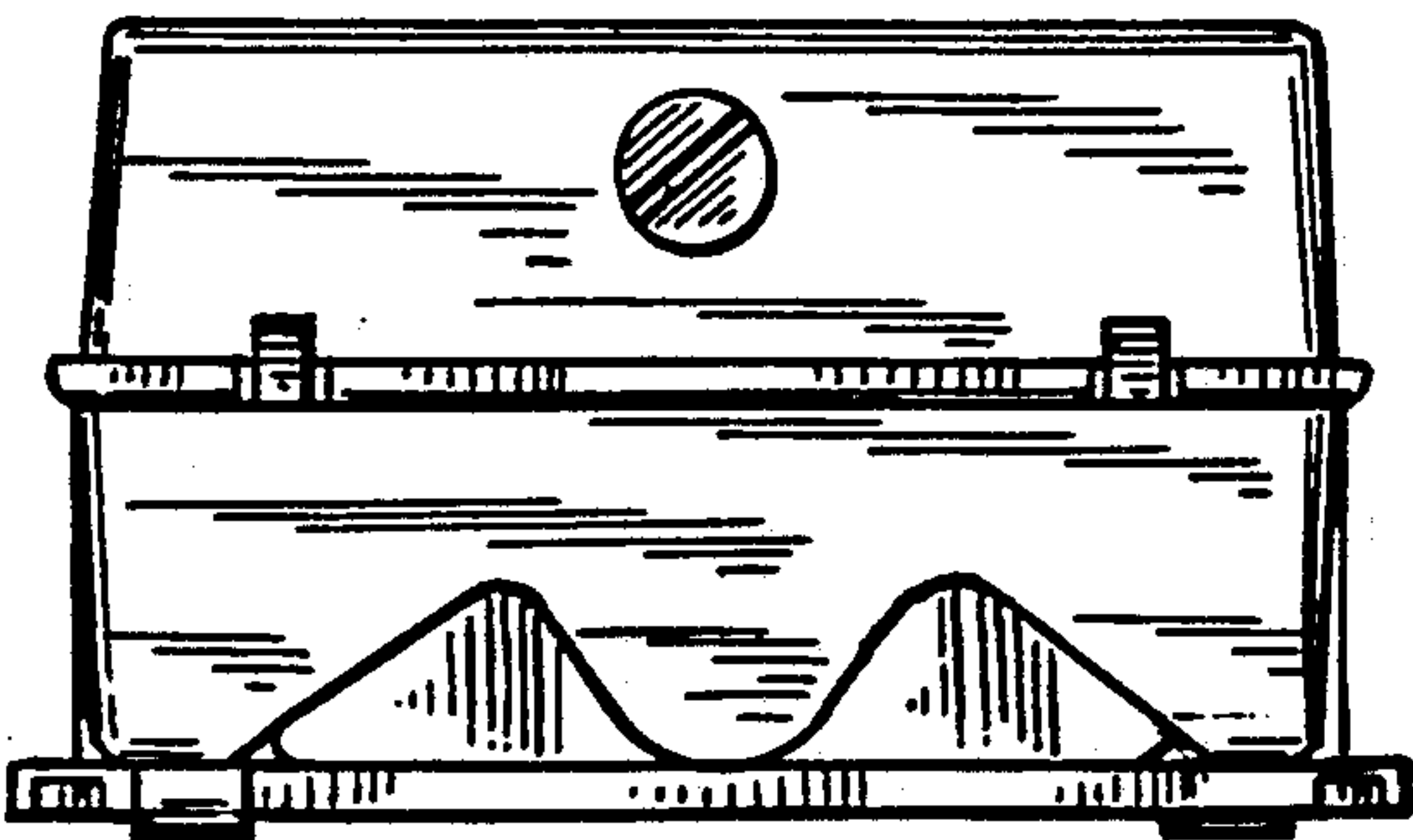


FIG. 5

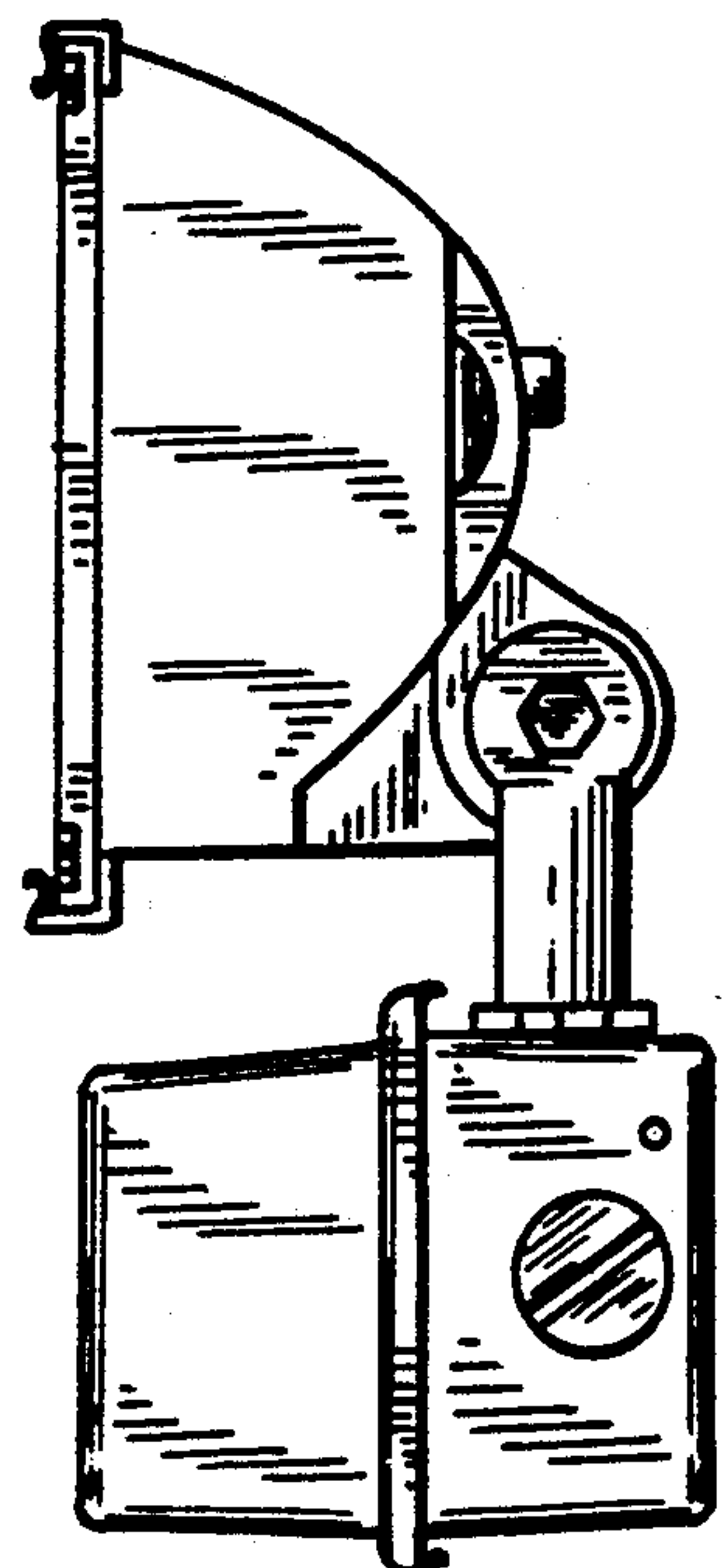


FIG. 6

