

[54] TORCH

[75] Inventor: Leonardus A. C. Krol, Gorinchem, Netherlands  
[73] Assignee: U.S. Philips Corporation, New York, N.Y.  
[\*\*] Term: 14 Years  
[21] Appl. No.: 253,285  
[22] Filed: Oct. 3, 1988

[30] Foreign Application Priority Data

Apr. 13, 1988 [GB] United Kingdom ..... 1049931  
[52] U.S. Cl. .... D26/44  
[58] Field of Search ..... D26/37-50,  
D26/61-63; 362/157-158, 191-208, 183-190

[56] References Cited

U.S. PATENT DOCUMENTS

D. 265,594 7/1982 Mann ..... D26/37  
D. 297,372 8/1988 Pom ..... D26/44  
D. 304,090 10/1989 Wan ..... D26/42

OTHER PUBLICATIONS

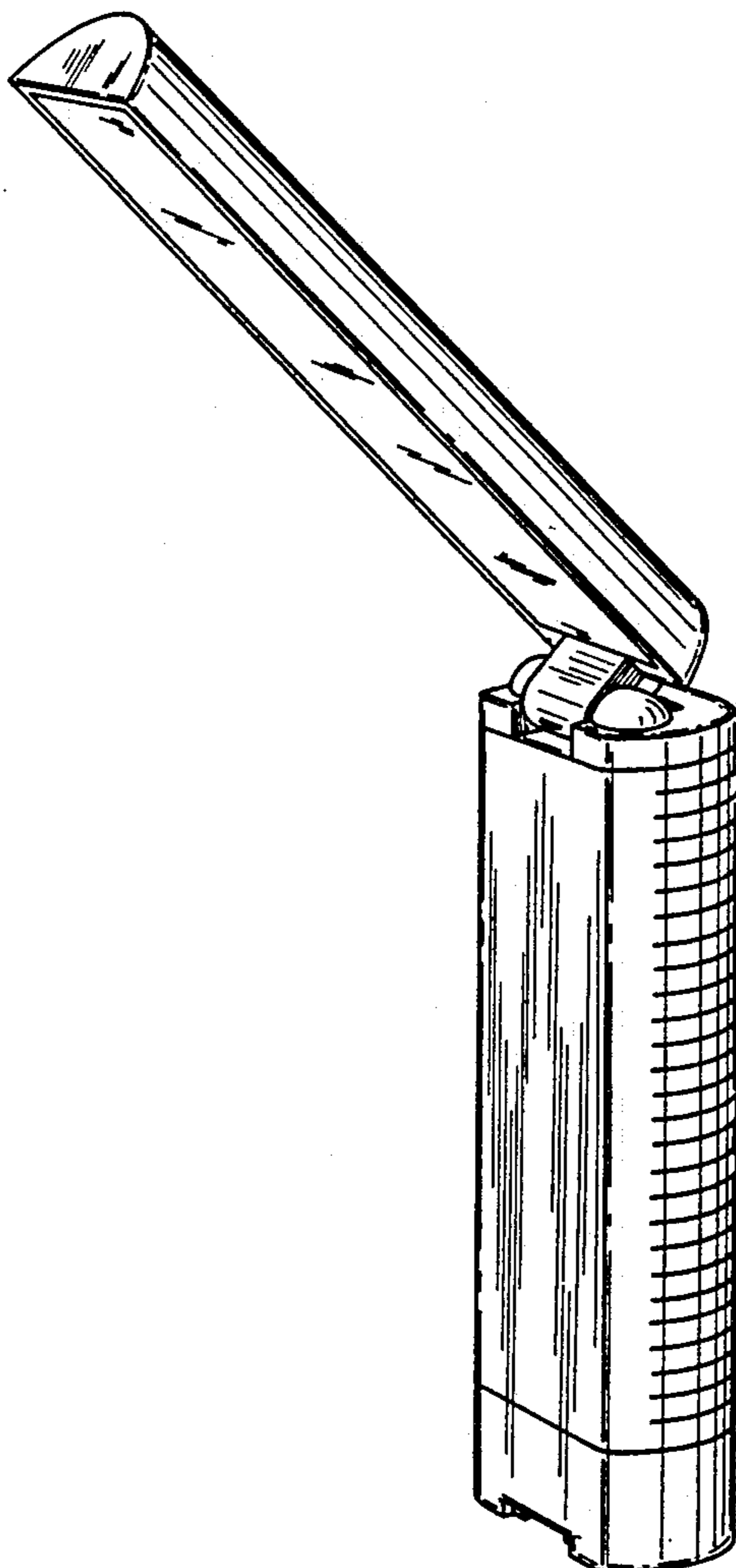
Hong Kong Enterprise item 3388 lantern, Nov. 1986, p. 237.  
Office Products Dealer item BF-602E light, 5-1985, p. 85.  
*Primary Examiner*—Susan J. Lucas  
*Assistant Examiner*—M. H. Tung

[57] CLAIM

The ornamental design for a torch, as shown and described.

DESCRIPTION

FIG. 1 is a front, top right side perspective view of a torch showing my new design, the upper body portion in an open position;  
FIG. 2 is a front elevational view thereof;  
FIG. 3 is a rear elevational view thereof;  
FIG. 4 is a left side elevational view thereof;  
FIG. 5 is a right side elevational view thereof;  
FIG. 6 is a top plan view thereof;  
FIG. 7 is a bottom plan view thereof;  
FIG. 8 is a rear, top left side perspective view thereof, the upper body portion in a closed position.



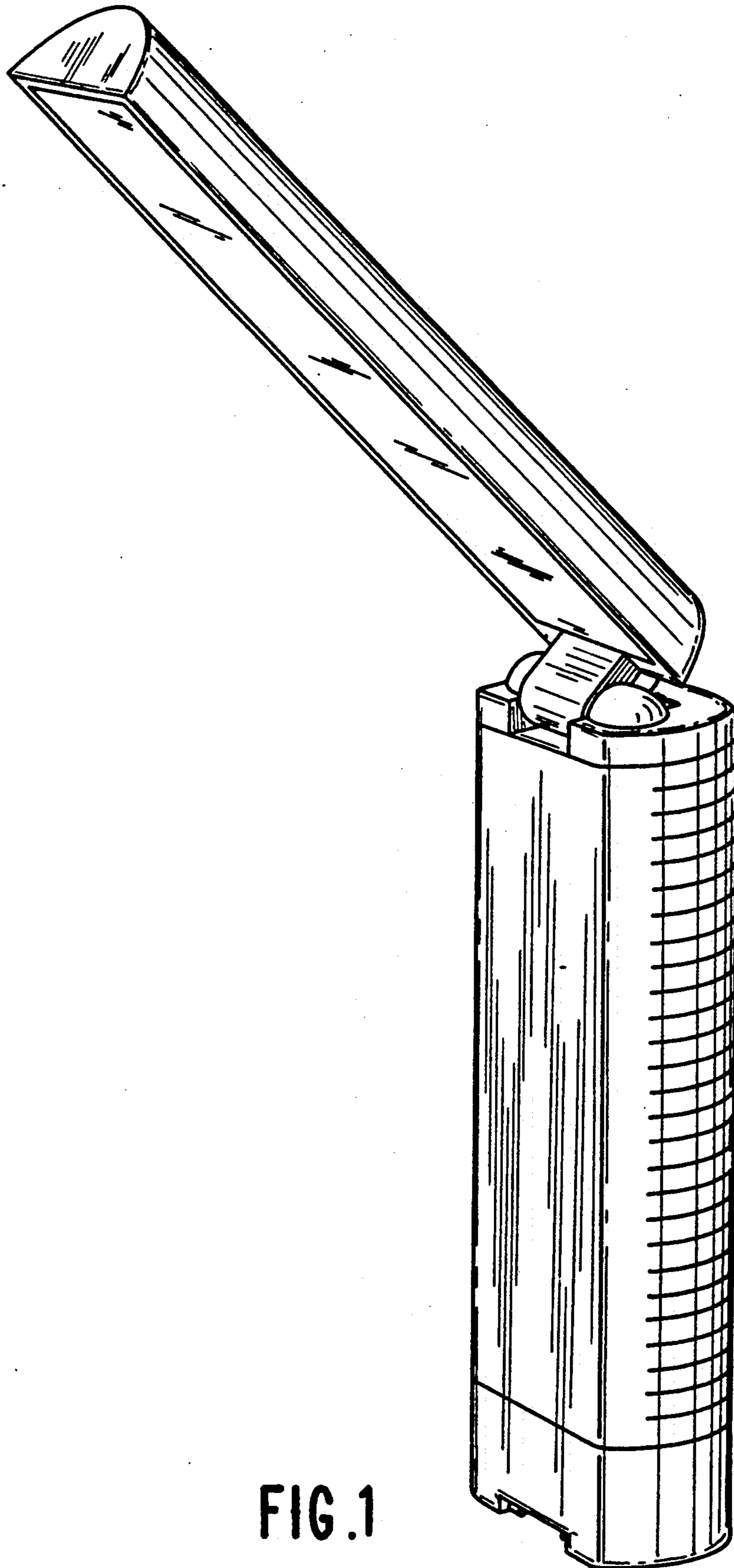


FIG. 1

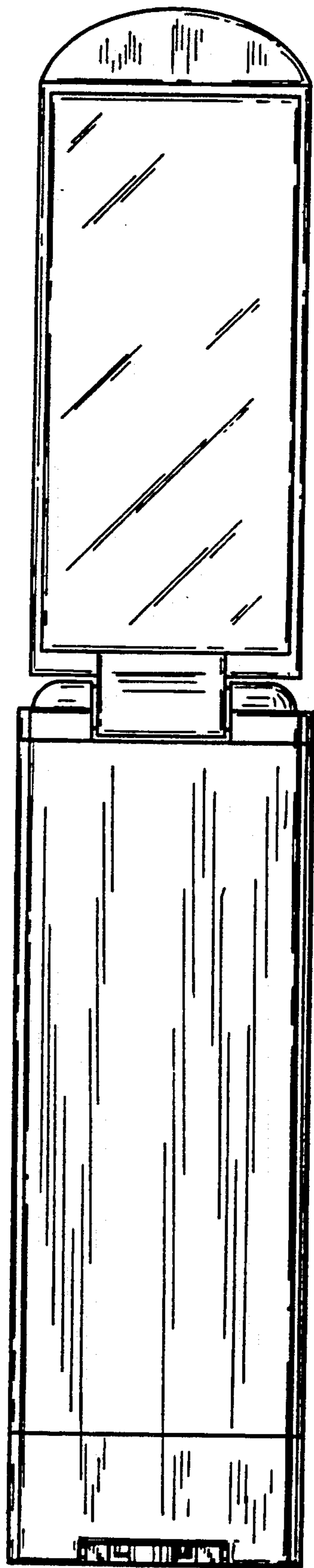


FIG. 2

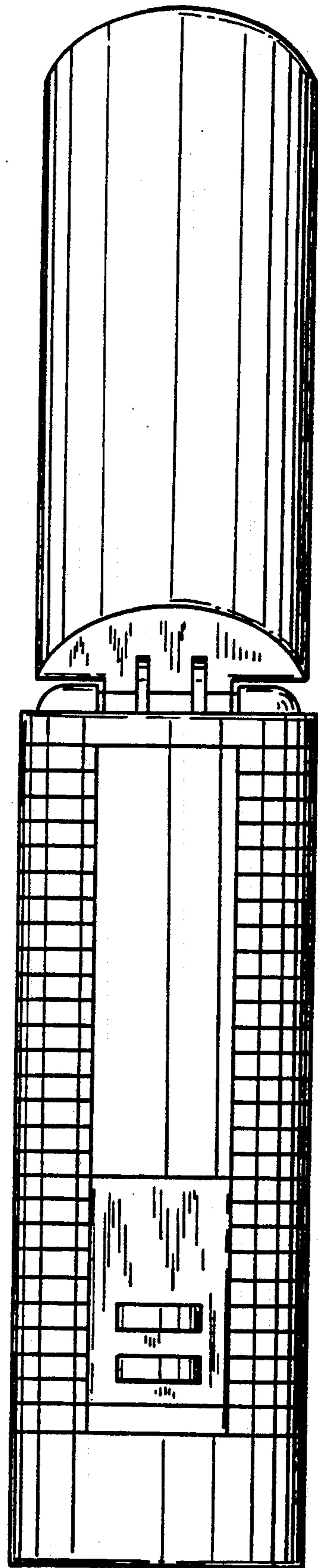


FIG. 3

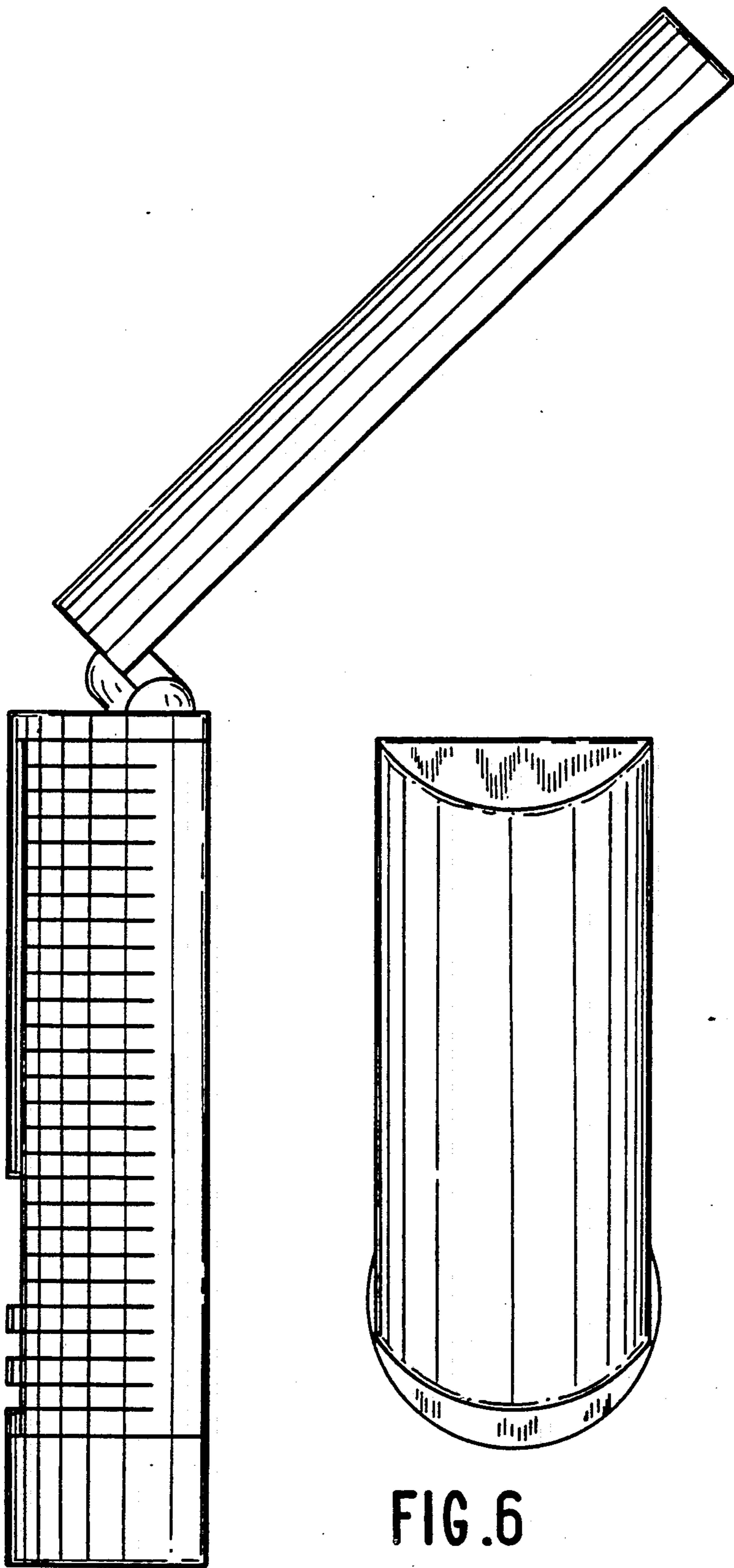


FIG. 4

FIG. 6

FIG. 7

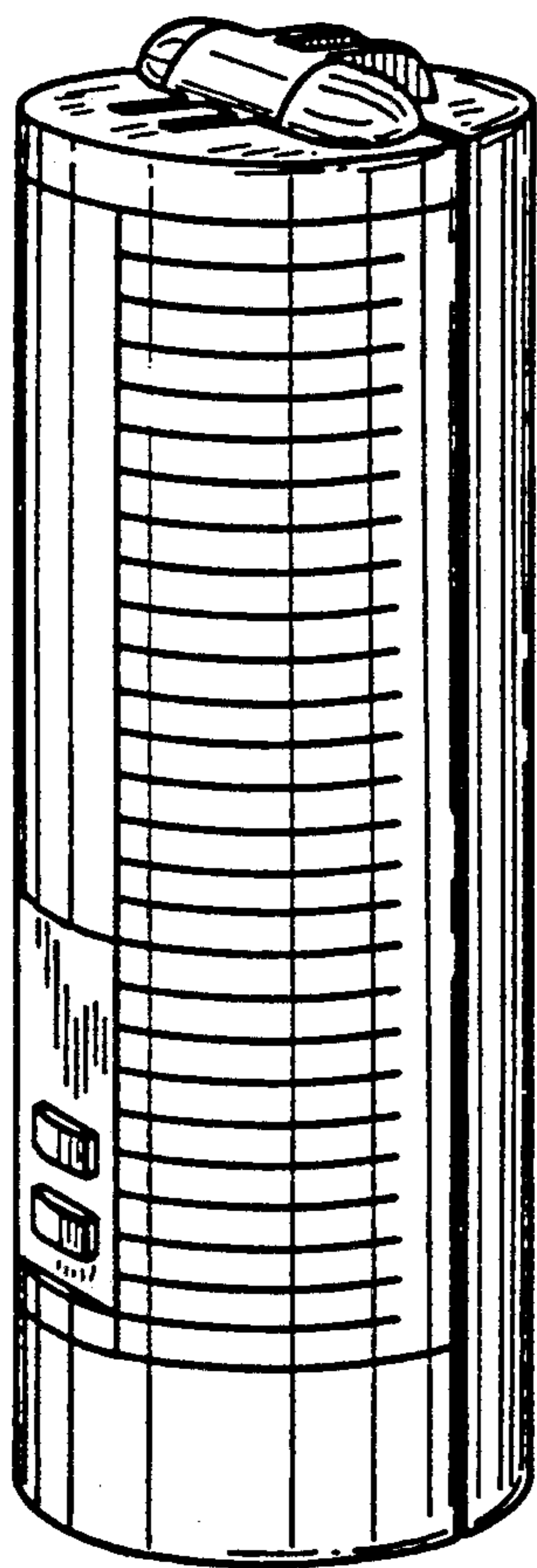


FIG. 8

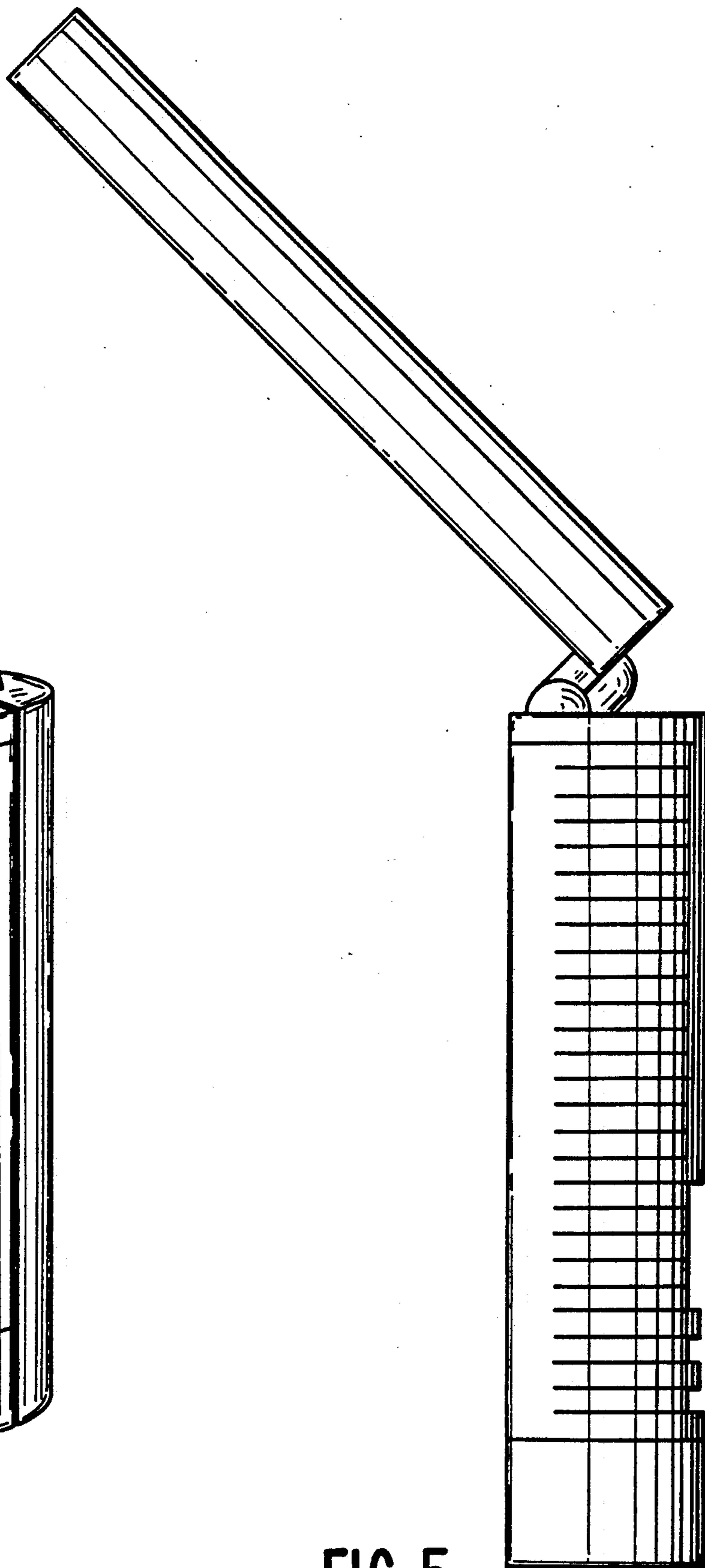


FIG. 5