

[54] BEAM

[76] Inventors: Goran Abbestam, Landerigatan 2, S-416 70 Goteborg; Leif Lachonius, Utsiktssliden 5, S-445 00 Surte, both of Sweden

[\*\*] Term: 14 Years

[21] Appl. No.: 558,191

[22] Filed: Jul. 26, 1990

Related U.S. Application Data

[62] Division of Ser. No. 368,527, Jun. 20, 1989.

[30] Foreign Application Priority Data

Dec. 21, 1988 [SE] Sweden ..... 882944  
[52] U.S. Cl. .... D25/122  
[58] Field of Search ..... D25/122, 126, 131-132; 52/730, 731, 732, 738

[56] References Cited

U.S. PATENT DOCUMENTS

D. 223,236	4/1972	Watanable et al. ....	D25/126
D. 305,899	2/1990	Fasth .....	D25/122
799,320	9/1905	Franks' .....	D25/122
3,327,440	6/1967	Watkins .....	D25/131
3,592,493	7/1971	Goose .....	D25/122

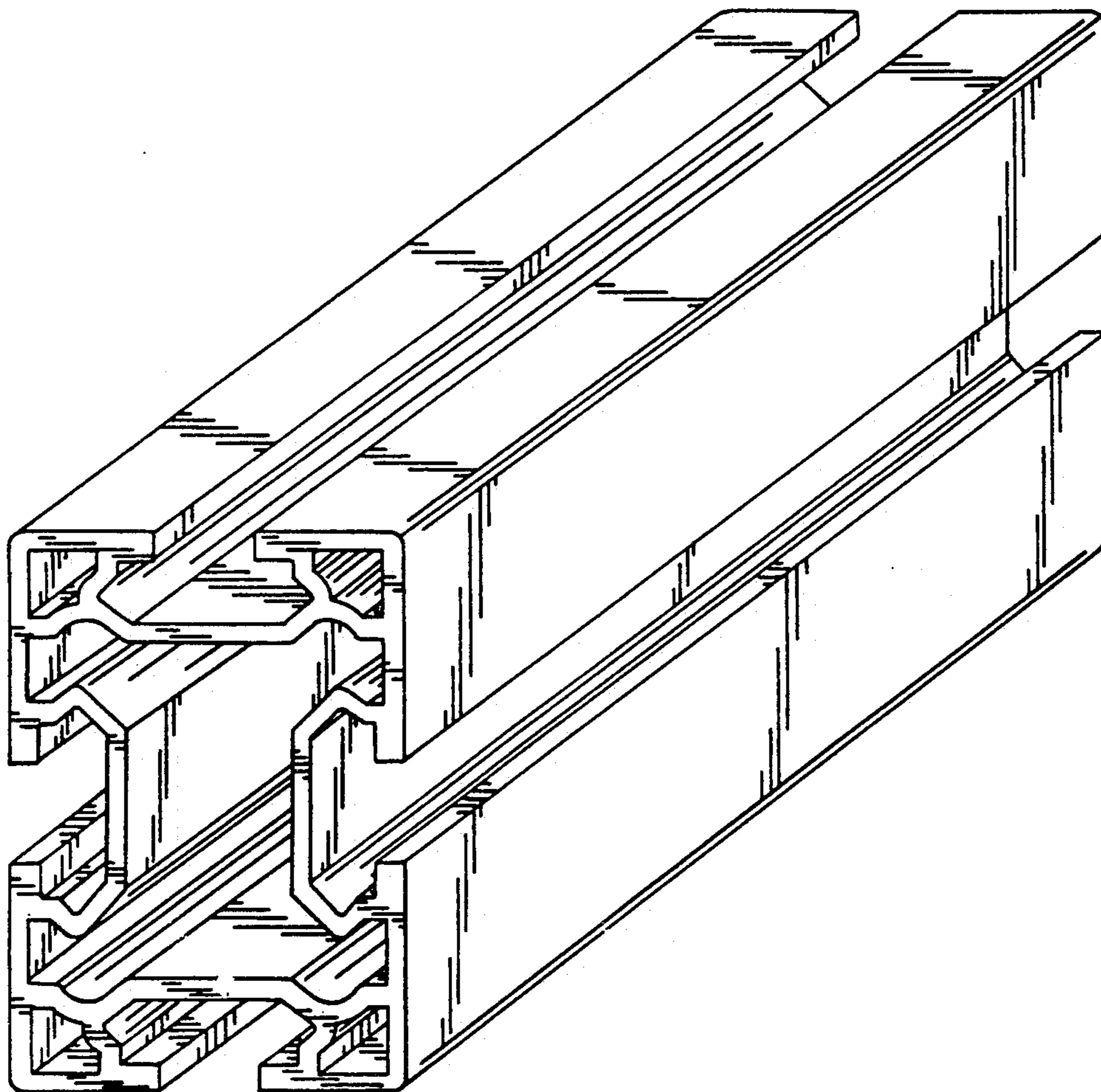
Primary Examiner—A. Hugo Word  
Assistant Examiner—Doris Clark

[57] CLAIM

The ornamental design for a beam, as shown and described.

DESCRIPTION

FIG. 1 is a perspective view of a beam showing our new design;  
FIG. 2 is a perspective view of a second embodiment of a beam showing our new design;  
FIG. 3 is a perspective view of a third embodiment of a beam showing our new design;  
FIG. 4 is a perspective view of a fourth embodiment of a beam showing our new design; and  
FIG. 5 is a perspective view of a fifth embodiment of a beam showing our new design.



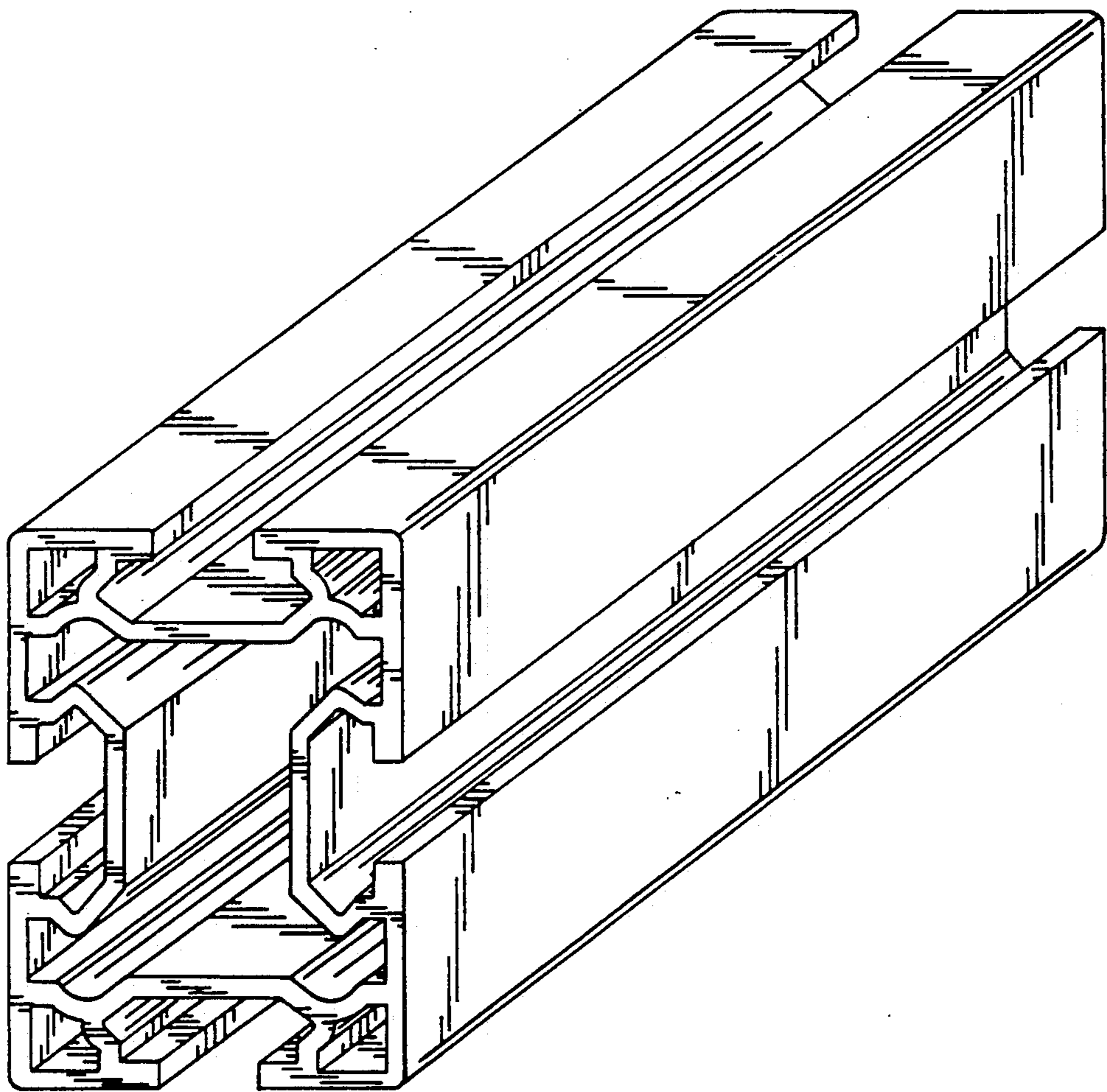


FIG. 1

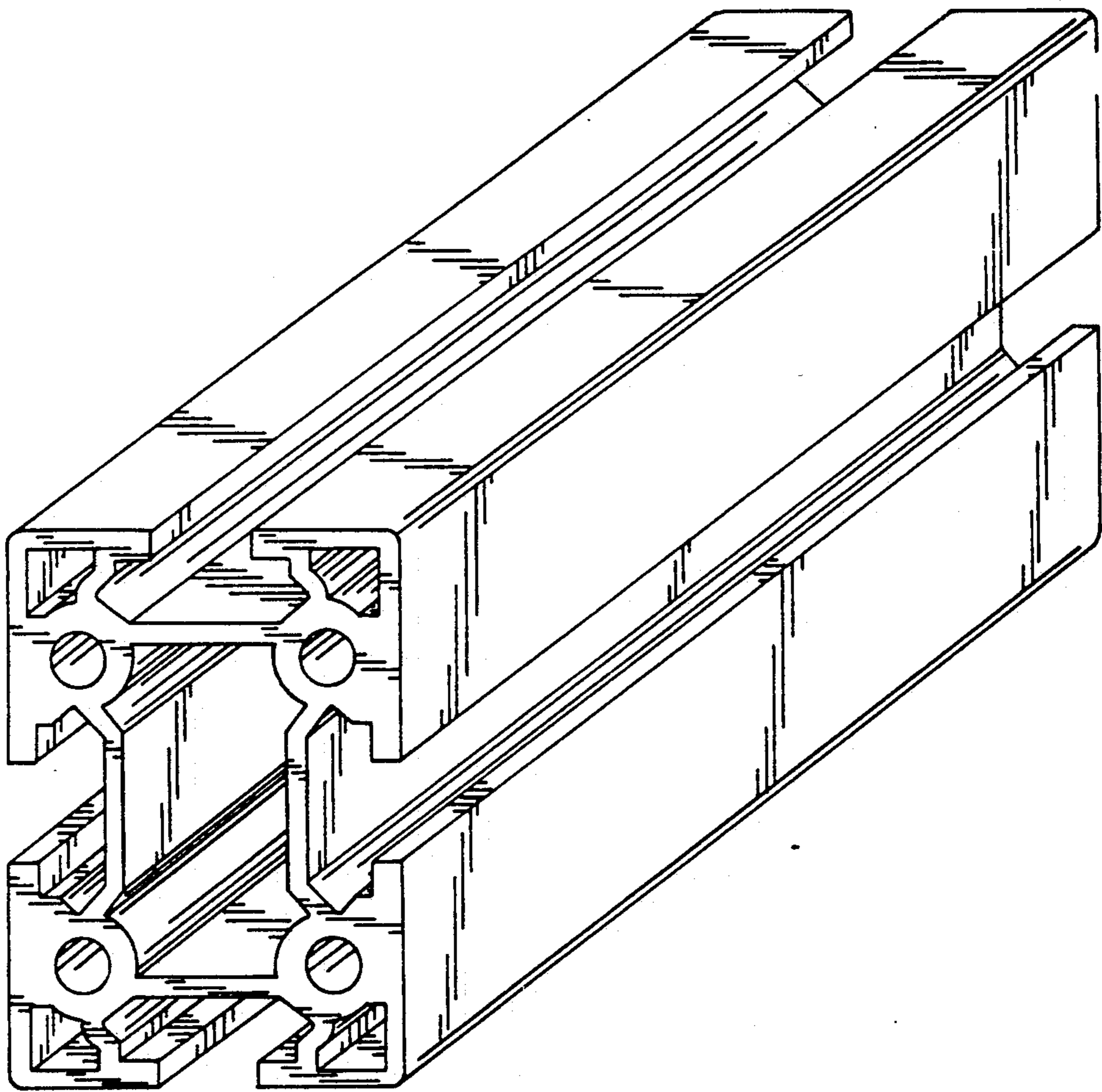


FIG.2

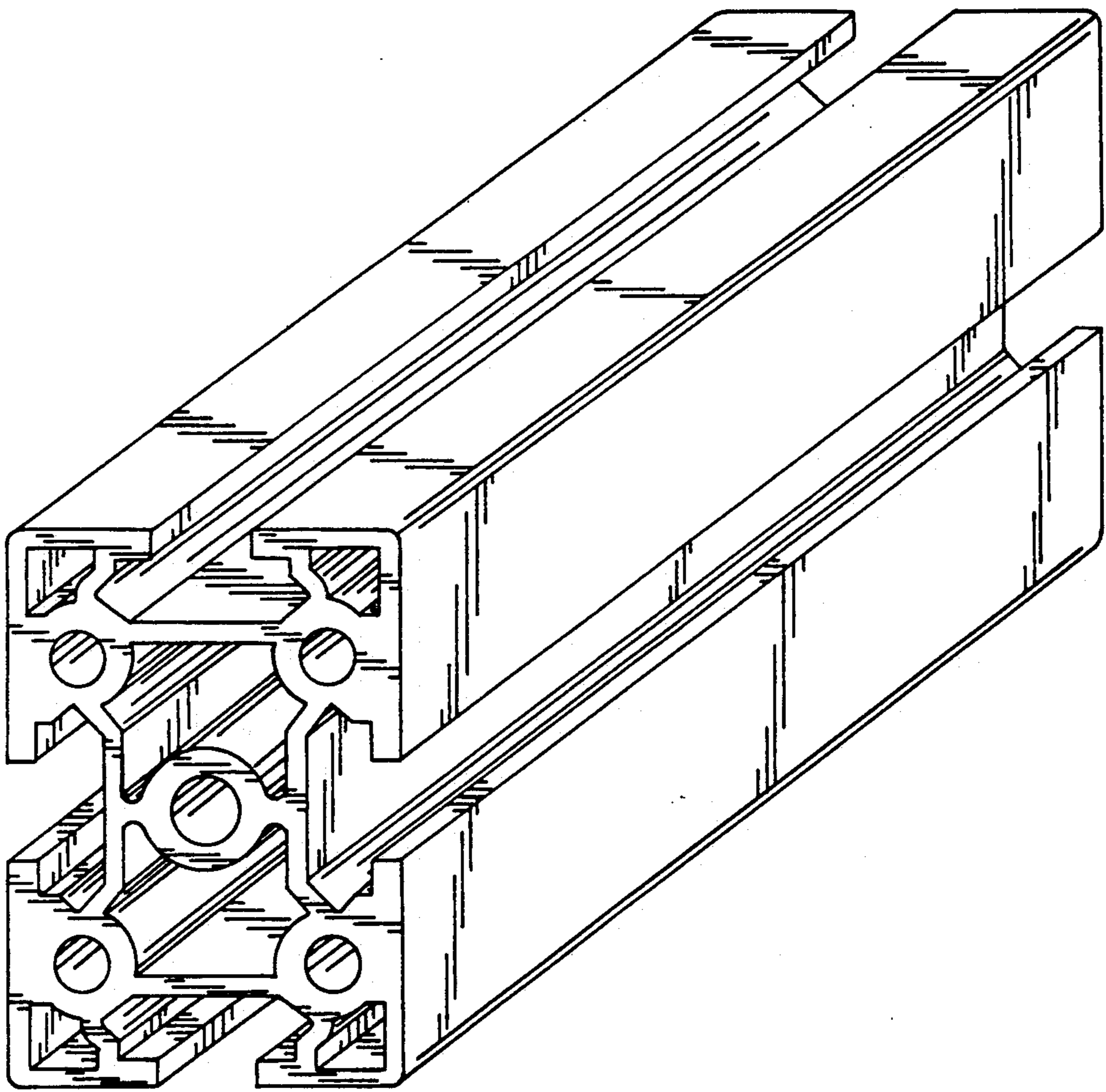


FIG.3

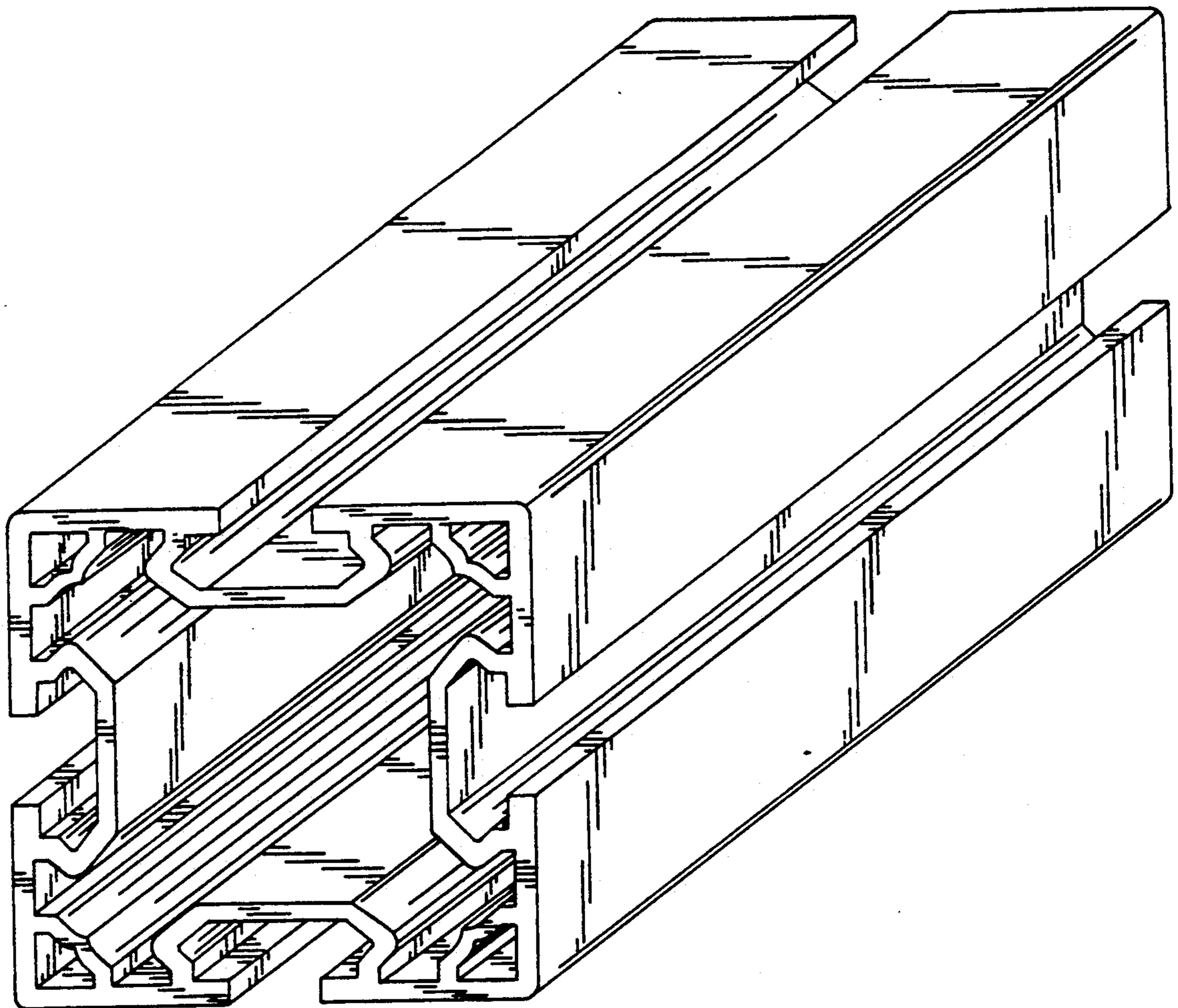


FIG.4

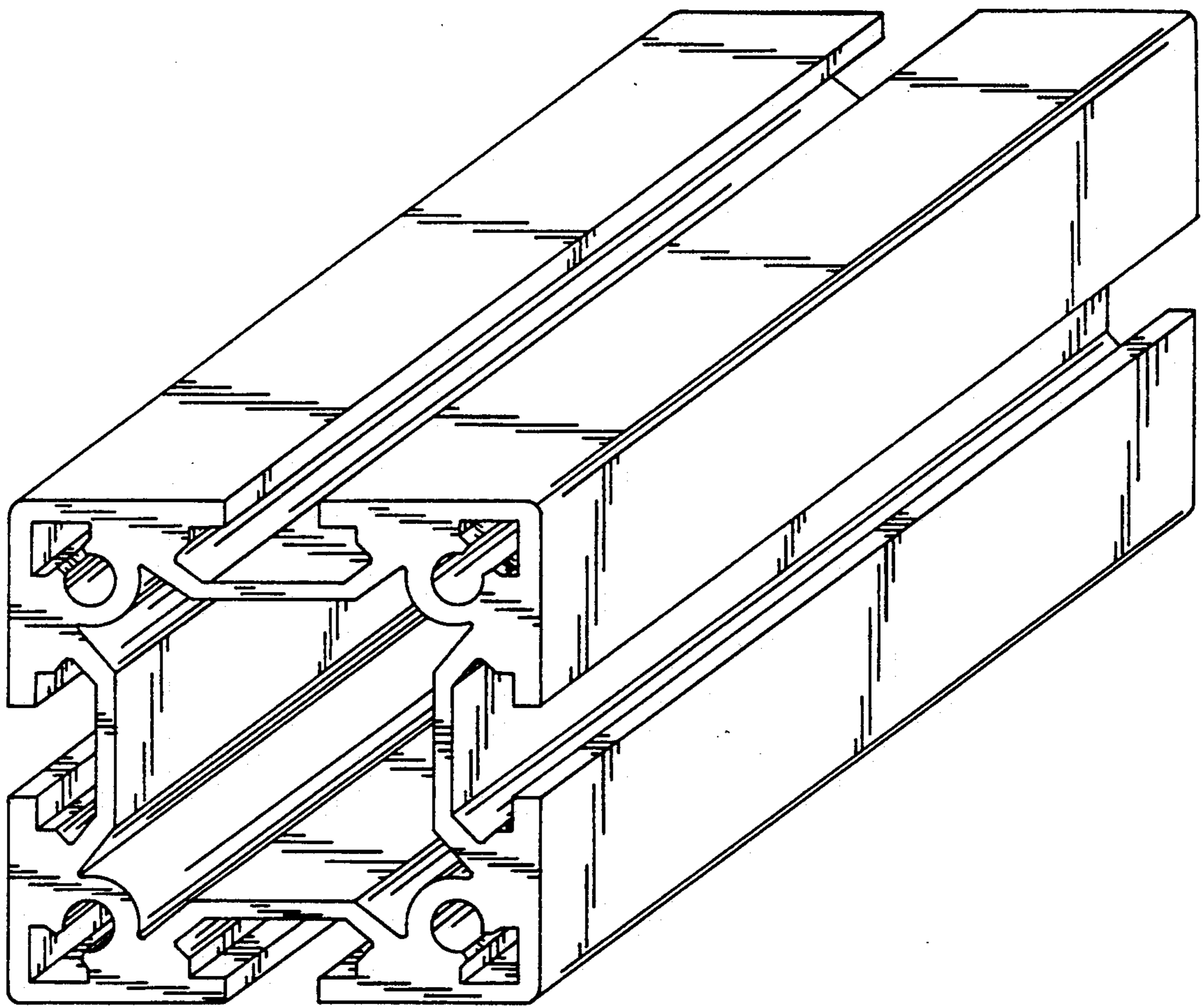


FIG. 5