

[54] FISHING REEL

[75] Inventors: Toshiaki Yoshikawa; Akihisa Shiozaki, both of Musashino, Japan

[73] Assignee: Daiwa Seiko, Inc., Tokyo, Japan

[\*\*] Term: 14 Years

[21] Appl. No.: 285,954

[22] Filed: Dec. 19, 1988

[30] Foreign Application Priority Data

Jun. 20, 1988 [JP] Japan ..... 63-24465
[52] U.S. Cl. .... D22/141
[58] Field of Search ..... D22/141, 140; 242/230, 242/231, 232, 233

[56] References Cited

U.S. PATENT DOCUMENTS

- D. 253,838 1/1980 Sakamoto et al. .... D22/141
D. 294,620 3/1988 Inuma et al. .... D22/141
D. 294,855 3/1988 Inuma et al. .... D22/141
D. 299,849 2/1989 Doi et al. .... D22/141
D. 300,844 4/1989 Hiraishi et al. .... D22/141

- D. 303,281 9/1989 Hiraishi et al. .... D22/141
D. 307,622 5/1990 Hiraishi et al. .... D22/141

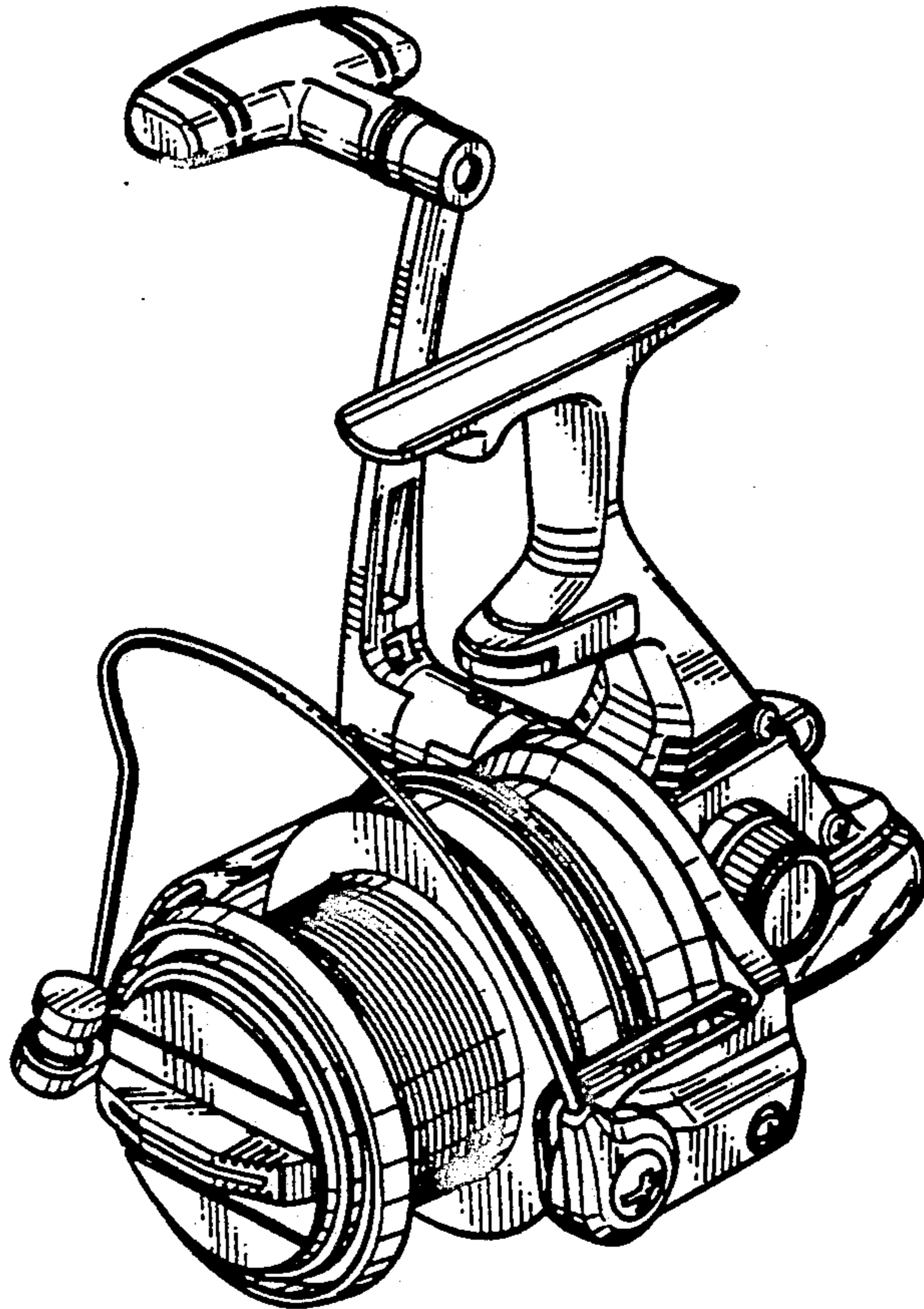
Primary Examiner—A. Hugo Word
Assistant Examiner—Doris V. Coles
Attorney, Agent, or Firm—Cushman, Darby & Cushman

[57] CLAIM

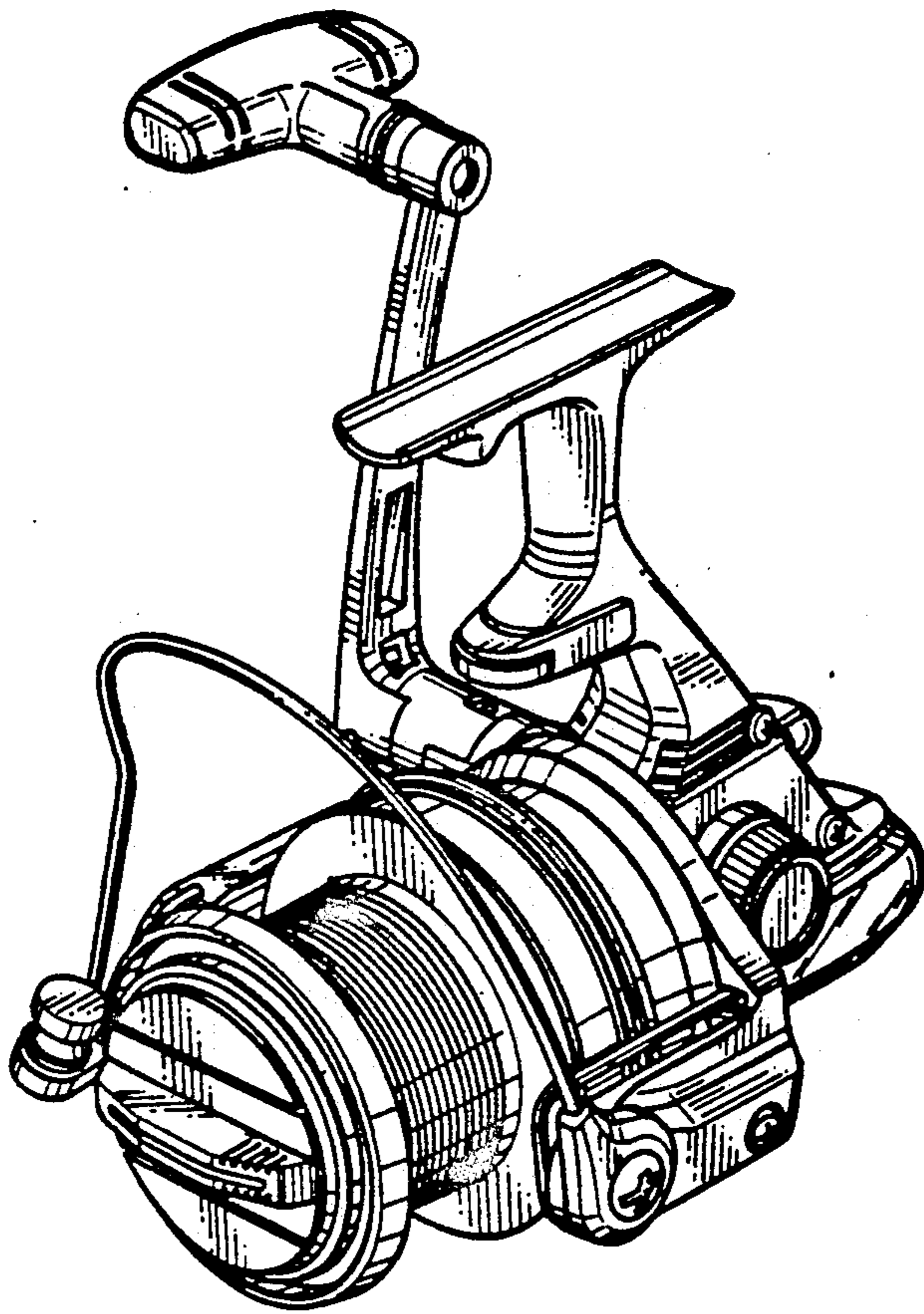
The ornamental design for a fishing reel, as shown and described.

DESCRIPTION

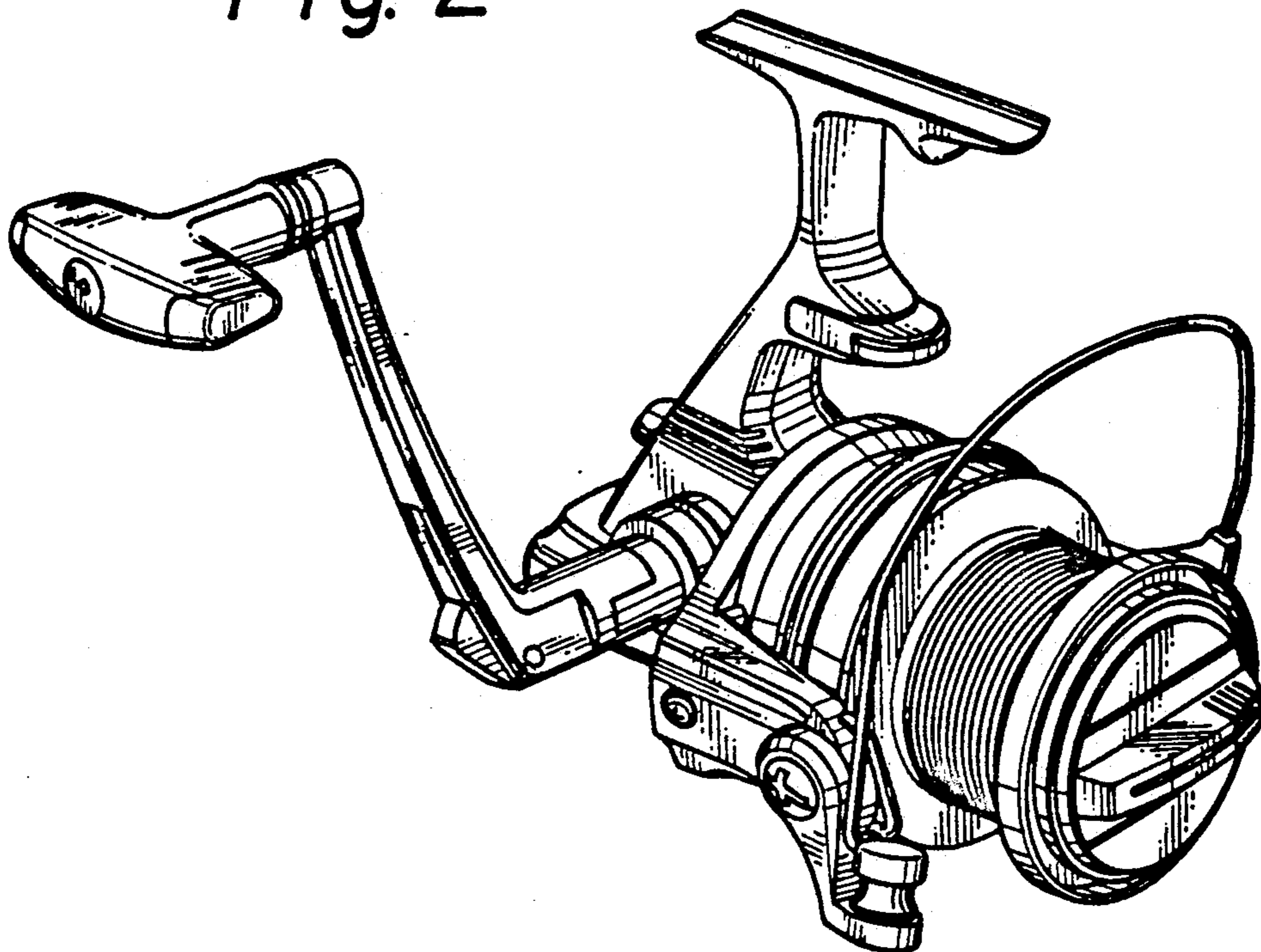
FIG. 1 is a top, front and one side perspective view of a fishing reel showing our new design;
FIG. 2 is a top, rear and one side perspective view thereof;
FIG. 3 is a top, front and the opposite side perspective view thereof;
FIG. 4 is a front elevational view thereof;
FIG. 5 is a rear elevational view thereof;
FIG. 6 is a side elevational view of one side thereof;
FIG. 7 is a side elevational view of the opposite side thereof;
FIG. 8 is a top plan view thereof; and
FIG. 9 is a bottom view thereof.



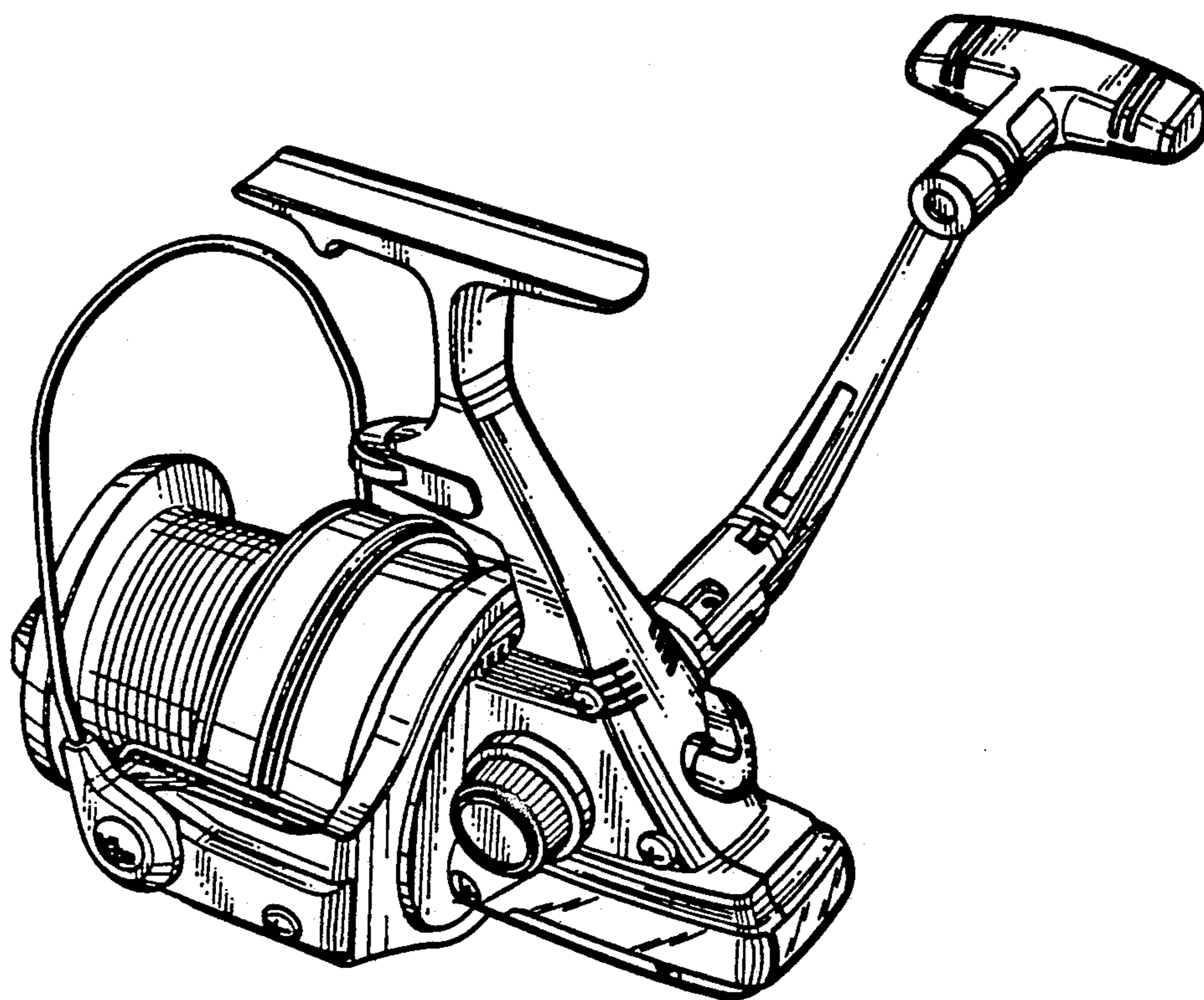
*Fig. 1*



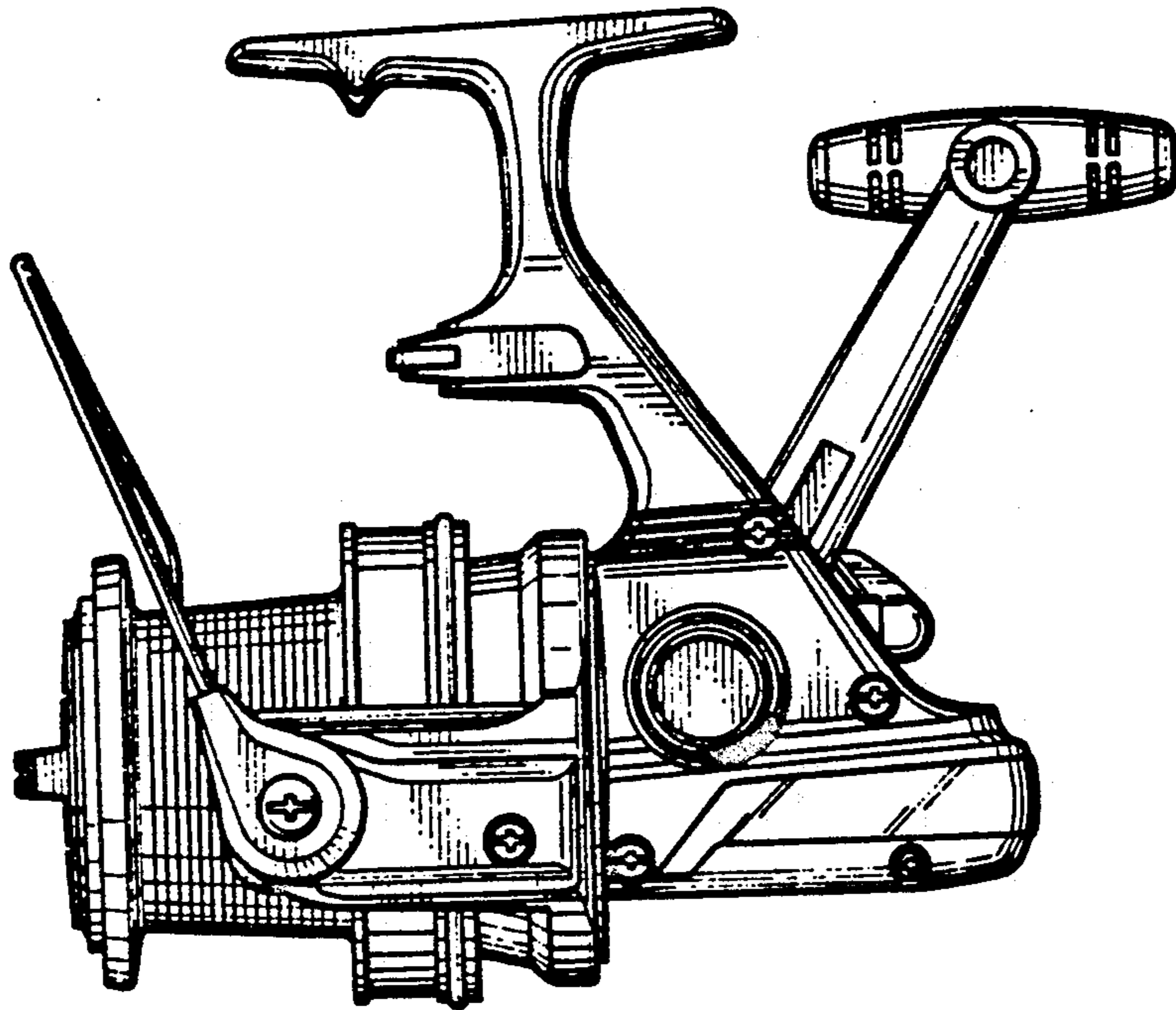
*Fig. 2*



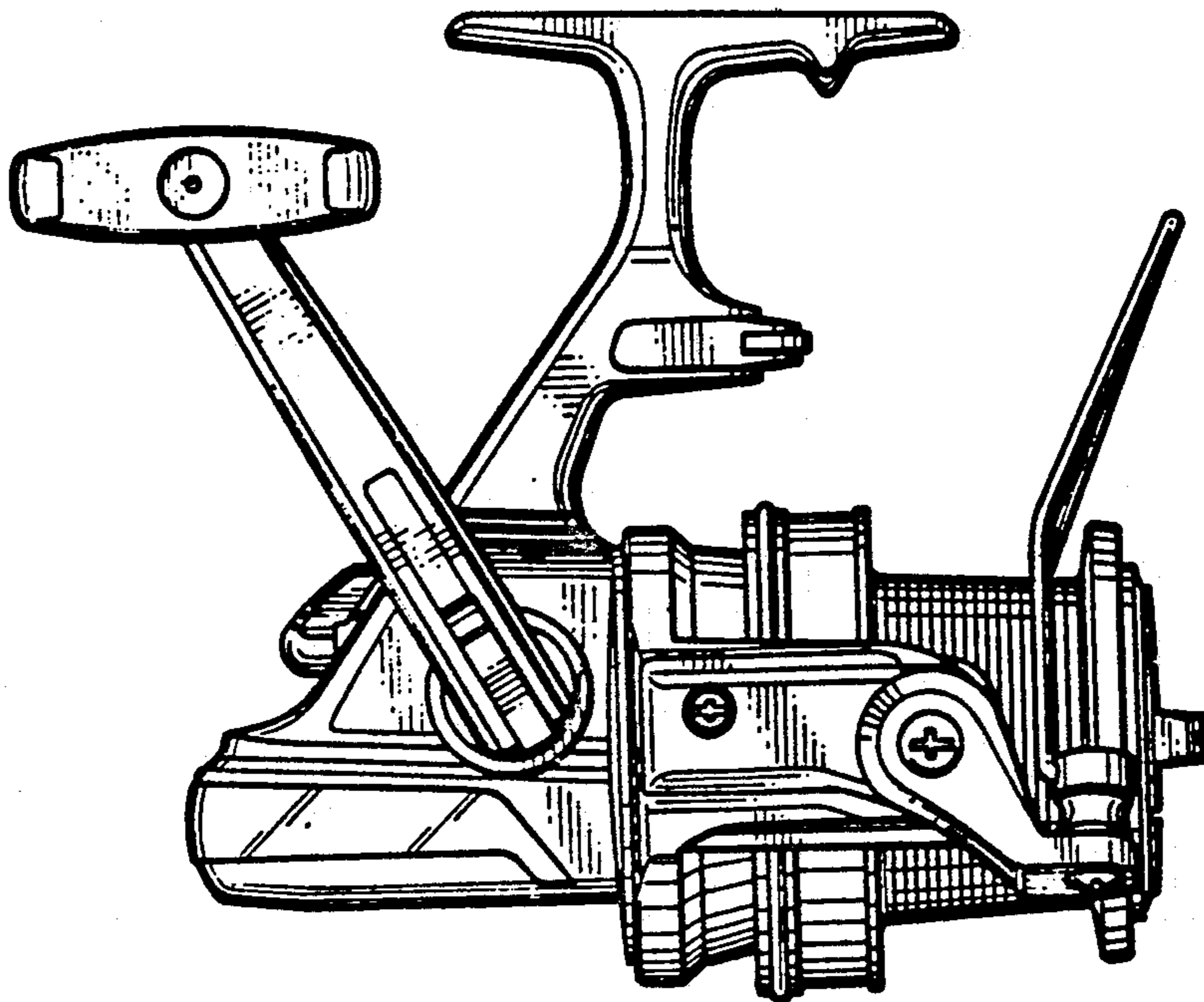
*Fig. 3*



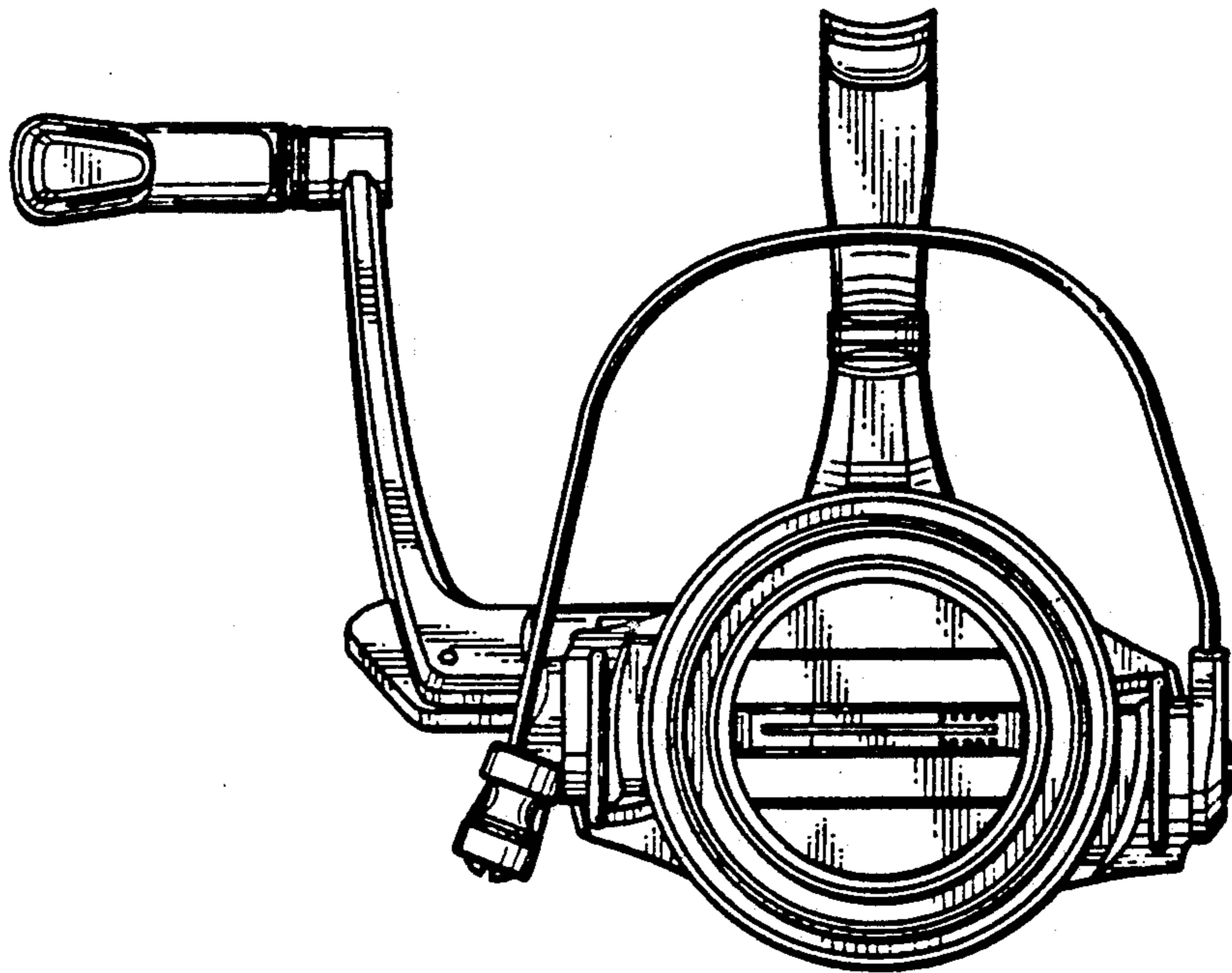
*Fig. 4*



*Fig. 5*



*Fig. 6*



*Fig. 7*

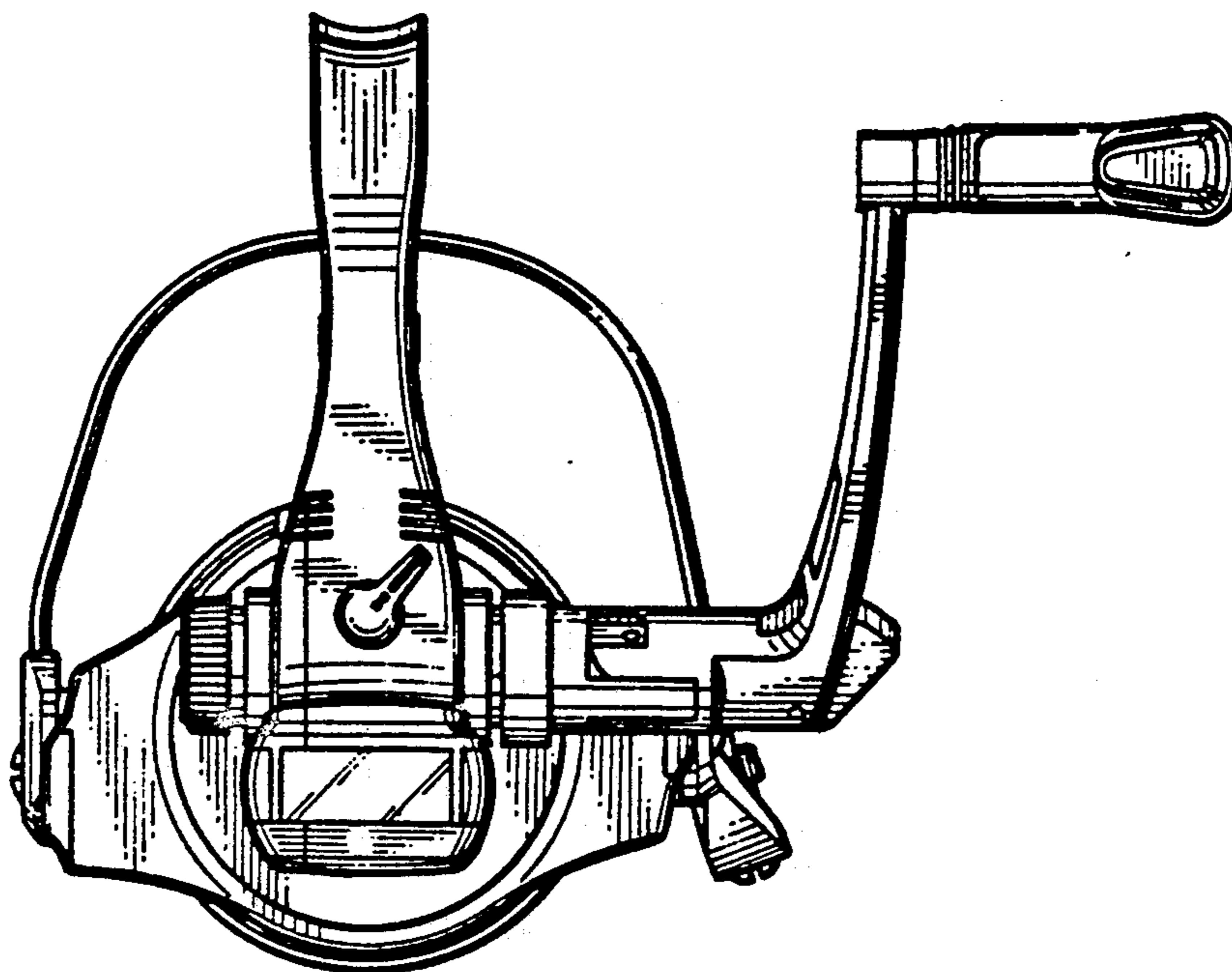


Fig. 9

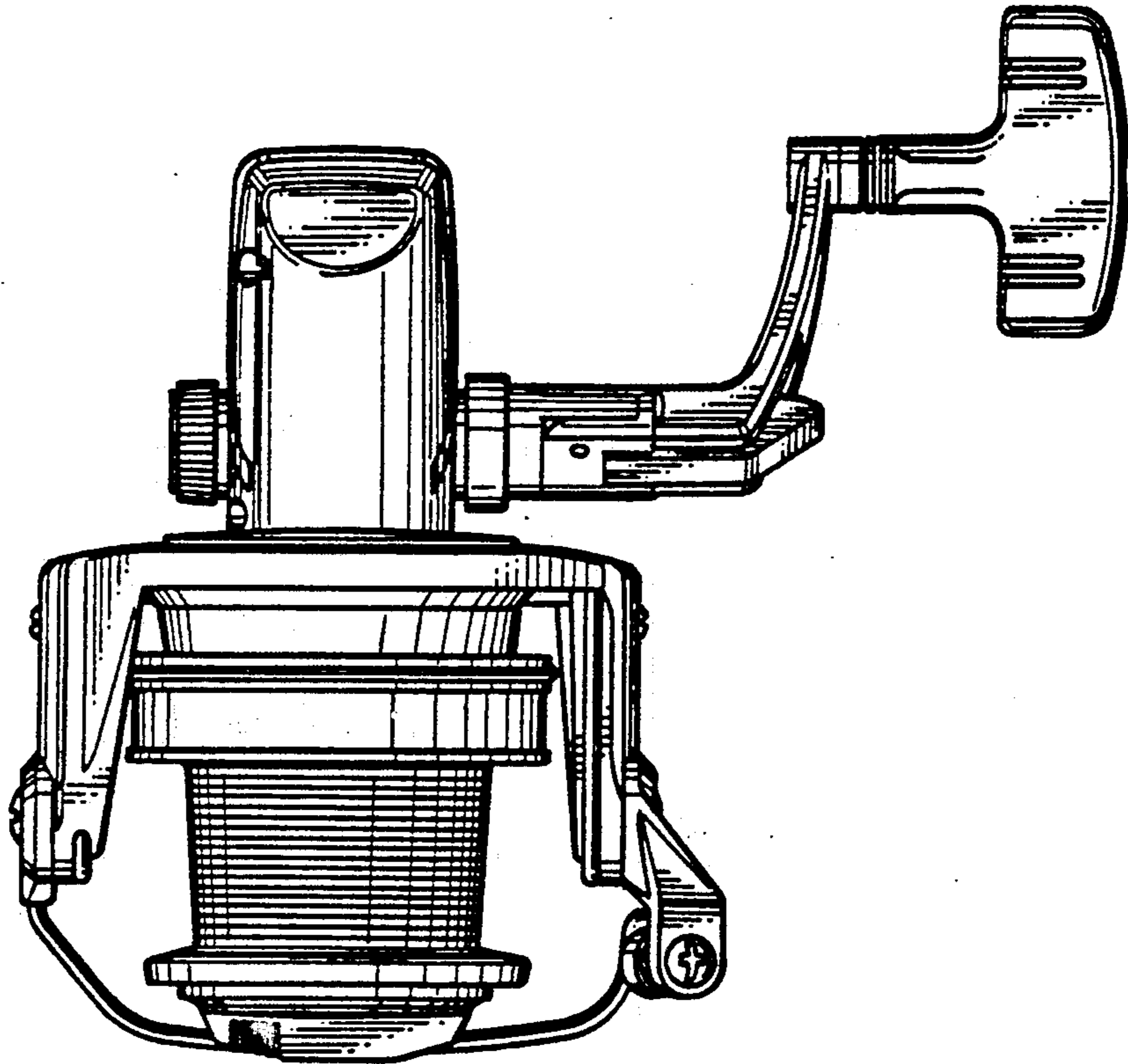


Fig. 8

