

[54] SPARKPLUG TOY CAR

[76] Inventor: Victor E. Franzone, 36 R.D. #2, Mertztown, Pa. 19539

[**] Term: 14 Years

[21] Appl. No.: 354,938

[22] Filed: May 22, 1989

[52] U.S. Cl. D21/128

[58] Field of Search D21/128, 134-137, D21/141; D13/127; 446/435, 465, 470

[56] References Cited

U.S. PATENT DOCUMENTS

53,859	9/1919	Roude	D13/127
D. 143,680	1/1946	Suter	D13/127
D. 283,829	5/1986	Kamikawa	D21/137

Primary Examiner—Charles A. Rademaker
Assistant Examiner—R. Barkai
Attorney, Agent, or Firm—John J. Selko

[57] CLAIM

The ornamental design for a sparkplug toy car, as shown and described.

DESCRIPTION

FIG. 1 is a side elevational view of a sparkplug toy car showing my new design;

FIG. 2 is a side elevational view of the side opposite that shown in FIG. 1;

FIG. 3 is a top plan view thereof;

FIG. 4 is a bottom plan view thereof;

FIG. 5 is a rear elevational view thereof;

FIG. 6 is a front elevational view thereof.

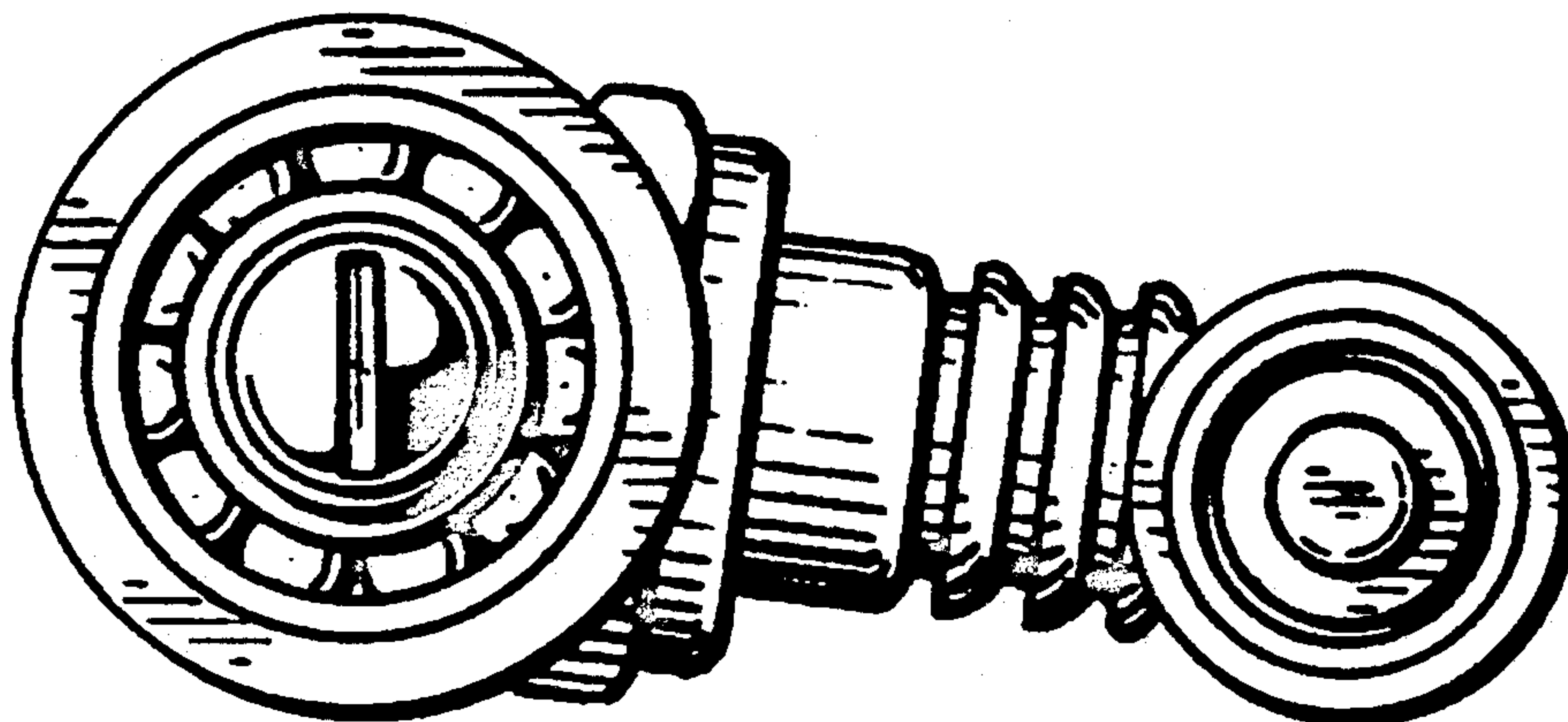


FIG. 1

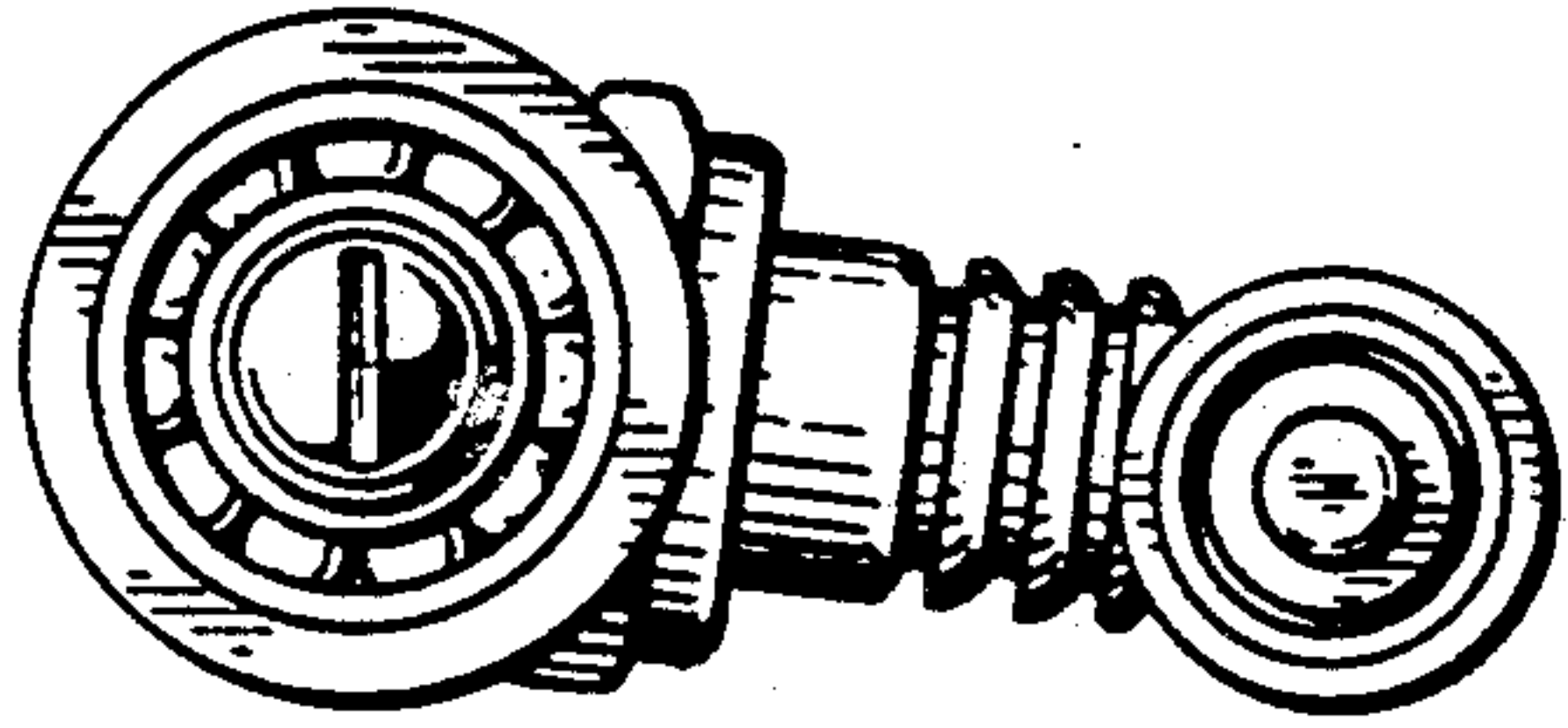


FIG. 2

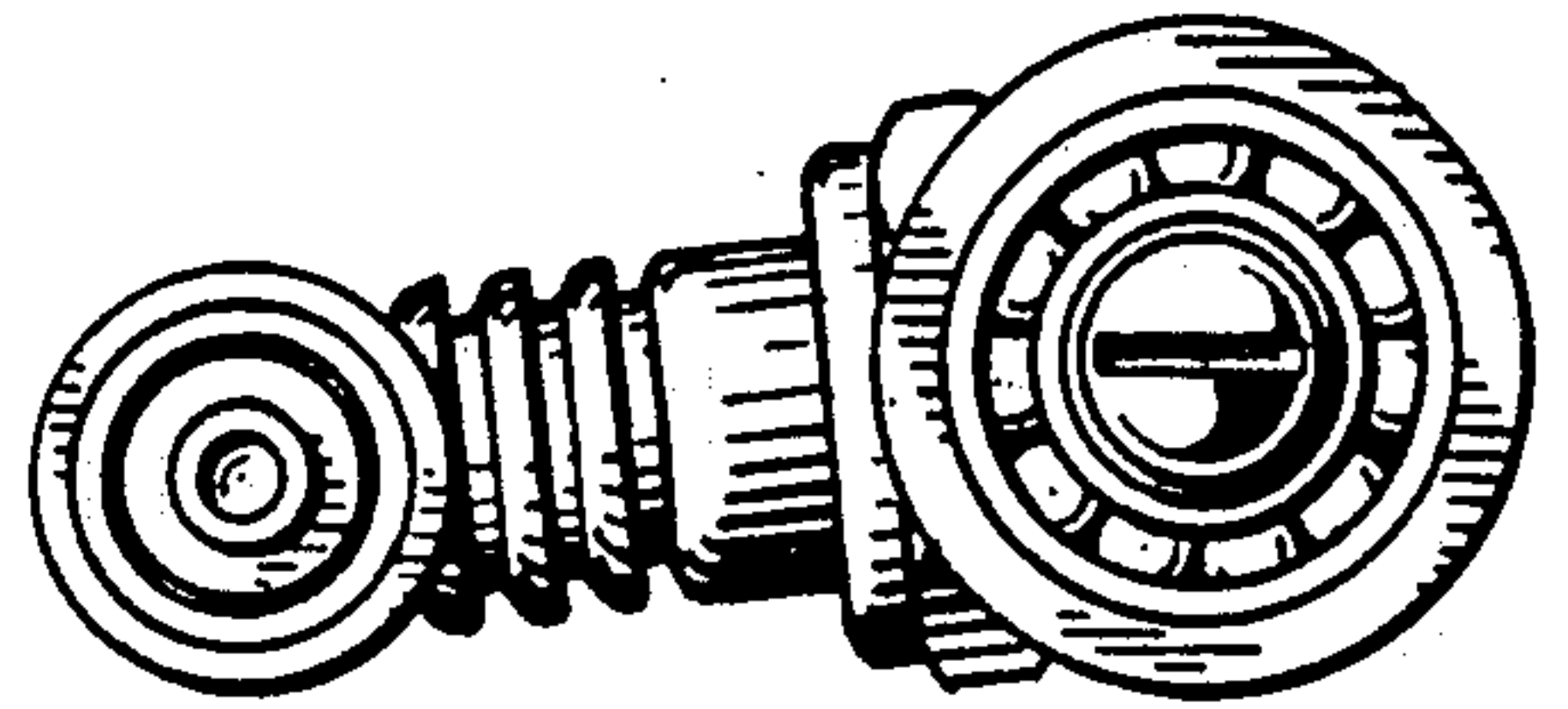


FIG. 3

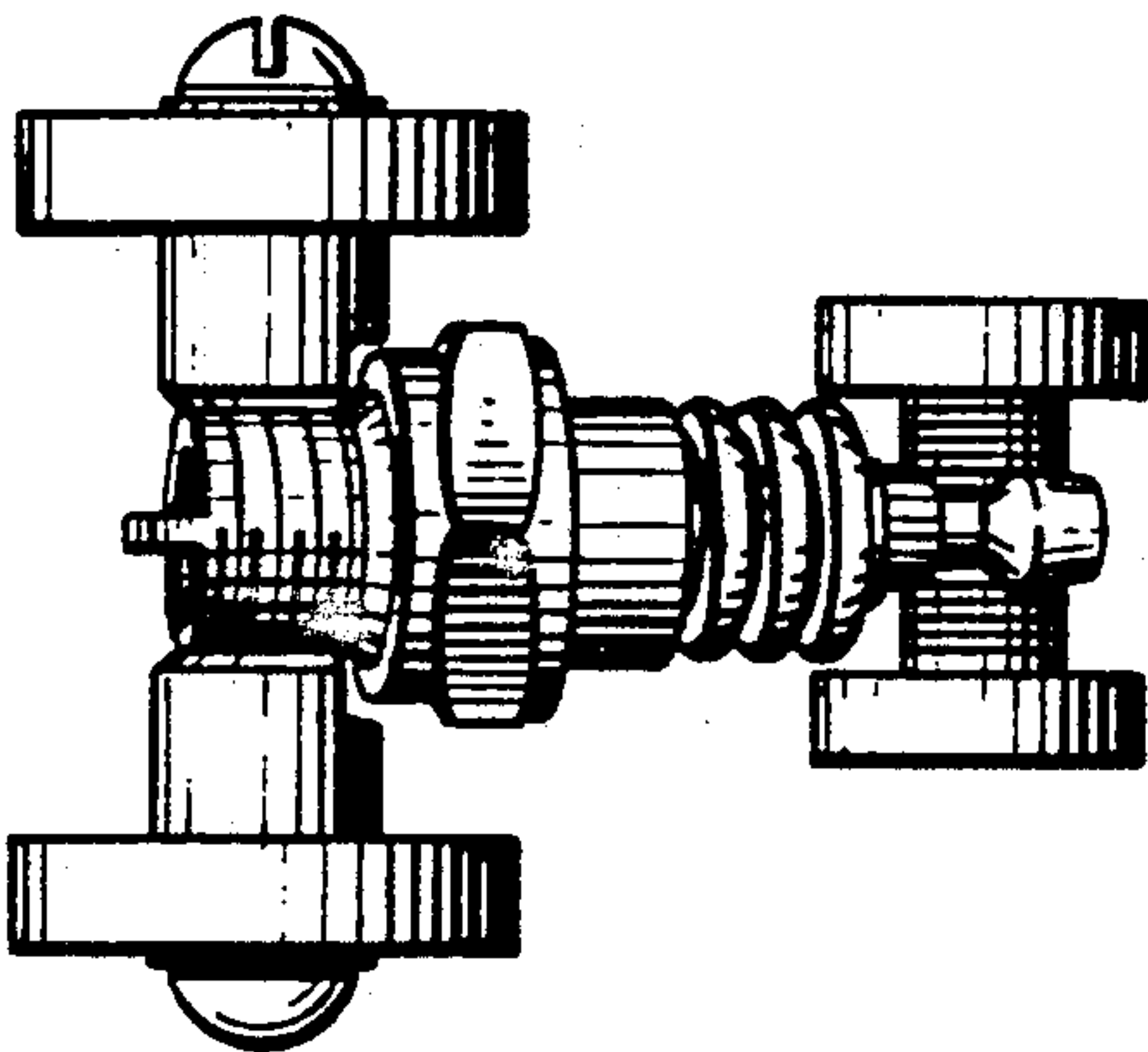


FIG. 4

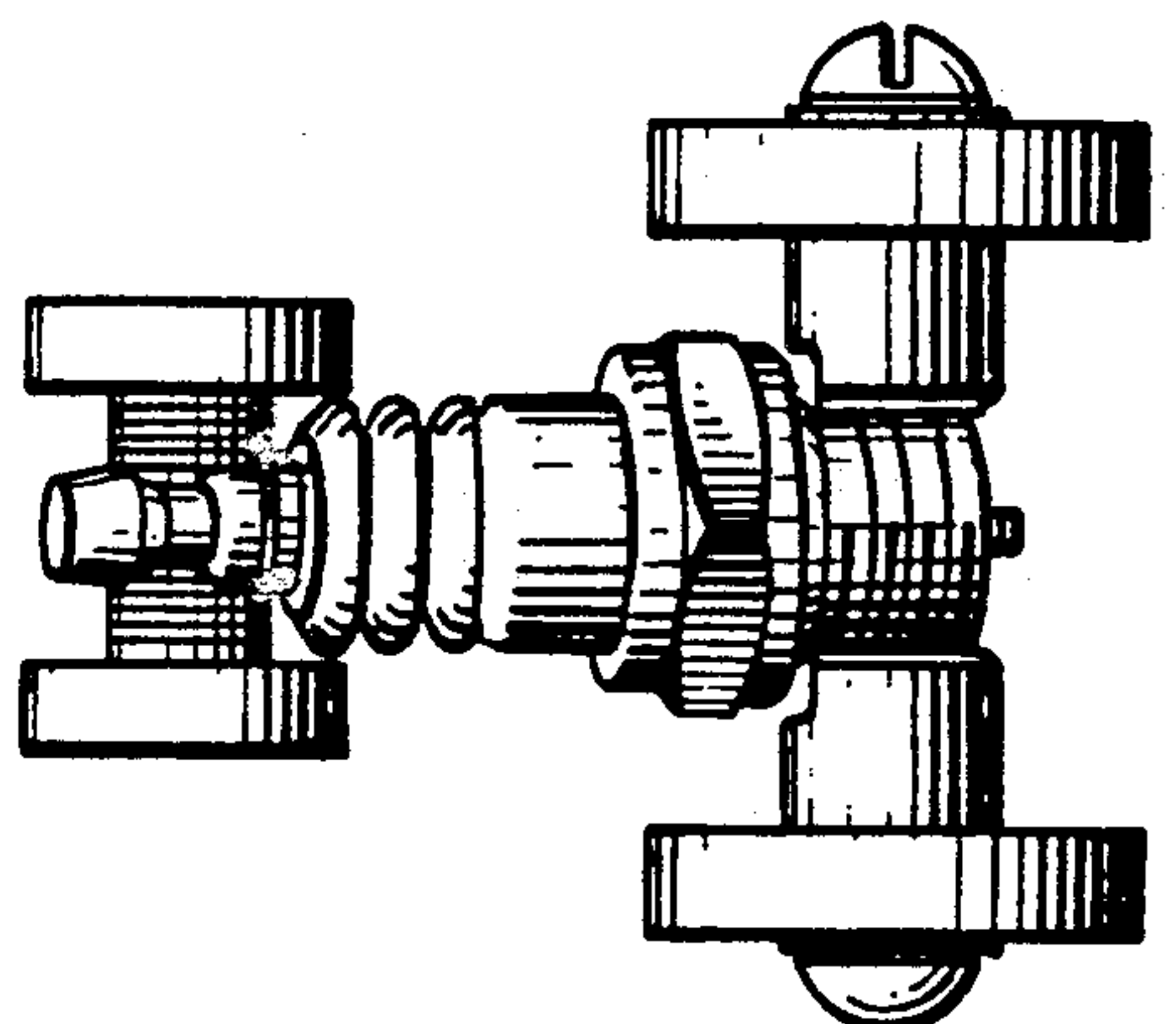


FIG. 5

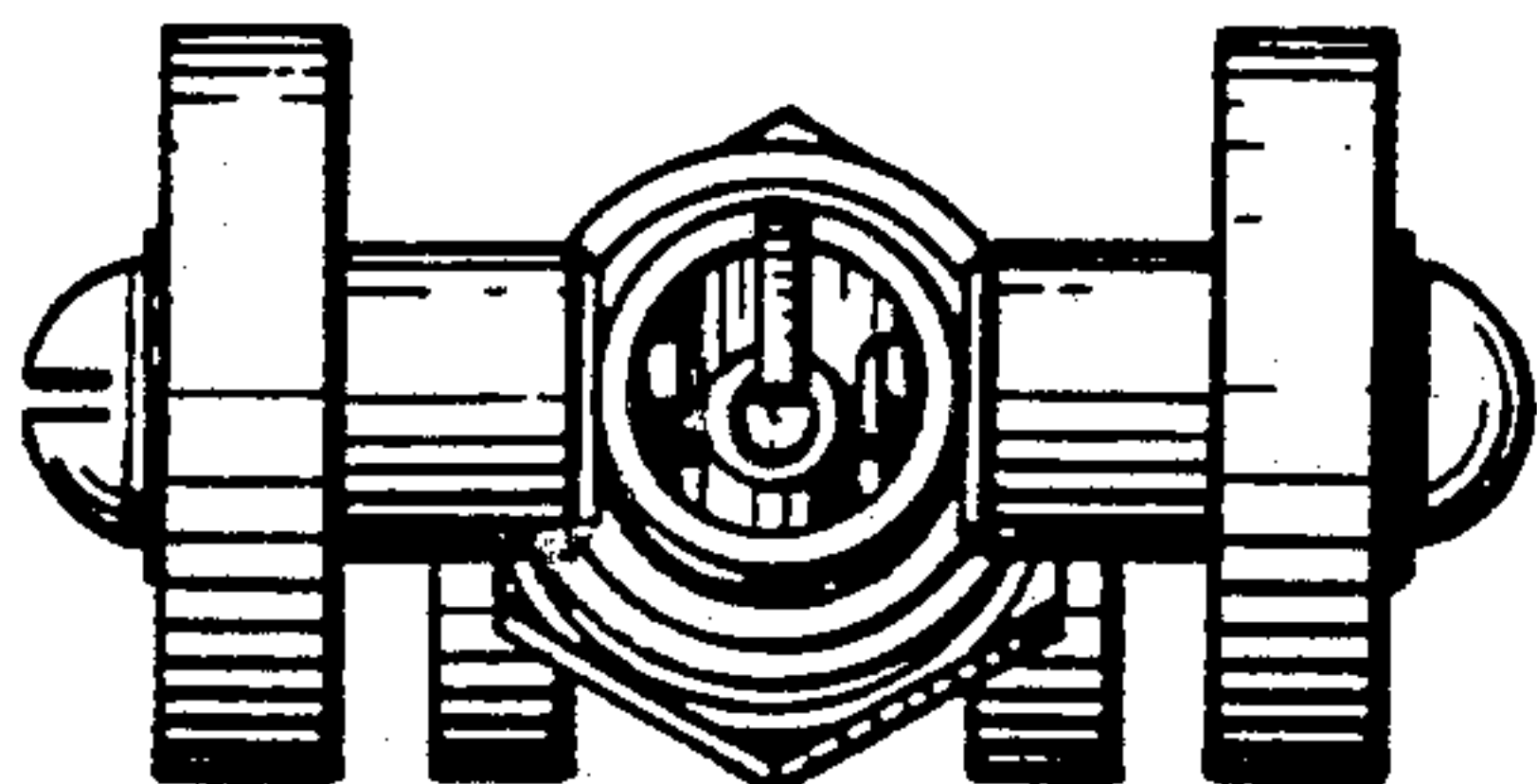


FIG. 6

